



US00D652693S

(12) **United States Design Patent**  
**De Buyer et al.**

(10) **Patent No.:** **US D652,693 S**  
(45) **Date of Patent:** **\*\* Jan. 24, 2012**

- (54) **UPPER PLATE OF A FOOD SLICER**
- (75) Inventors: **Julien De Buyer**, Barcelona (ES);  
**Jean-Noël Mathieu**, Vagney (FR)
- (73) Assignee: **De Buyer Industries**, Le Val d'Ajol (FR)
- (\*\*) Term: **14 Years**
- (21) Appl. No.: **29/340,609**
- (22) Filed: **Jul. 22, 2009**
- (51) **LOC (9) Cl.** ..... **07-04**
- (52) **U.S. Cl.** ..... **D7/673; D7/678; D7/412**
- (58) **Field of Classification Search** ..... **D7/678,**  
D7/672-677, 381-385, 412; 241/92-95,  
241/100, 168, 169, 169.1, 273.1-273.4, 30,  
241/33, 36, 37.5; 99/495, 510; 30/114, 278,  
30/279.6, 280, 286, 287, 383, 389-391  
See application file for complete search history.

- D491,774 S \* 6/2004 Brousseau et al. .... D7/678
- 6,860,441 B2 \* 3/2005 Richardson ..... 241/95
- D511,946 S \* 11/2005 Overthun et al. .... D7/678
- D534,041 S 12/2006 De Buyer
- D535,162 S 1/2007 De Buyer

\* cited by examiner

*Primary Examiner* — Terry Wallace

(74) *Attorney, Agent, or Firm* — Galgano & Associates, PLLC; Thomas M. Galgano; Jessica G. Bower

(57) **CLAIM**

The ornamental design for an upper plate of a food slicer, as shown and described.

**DESCRIPTION**

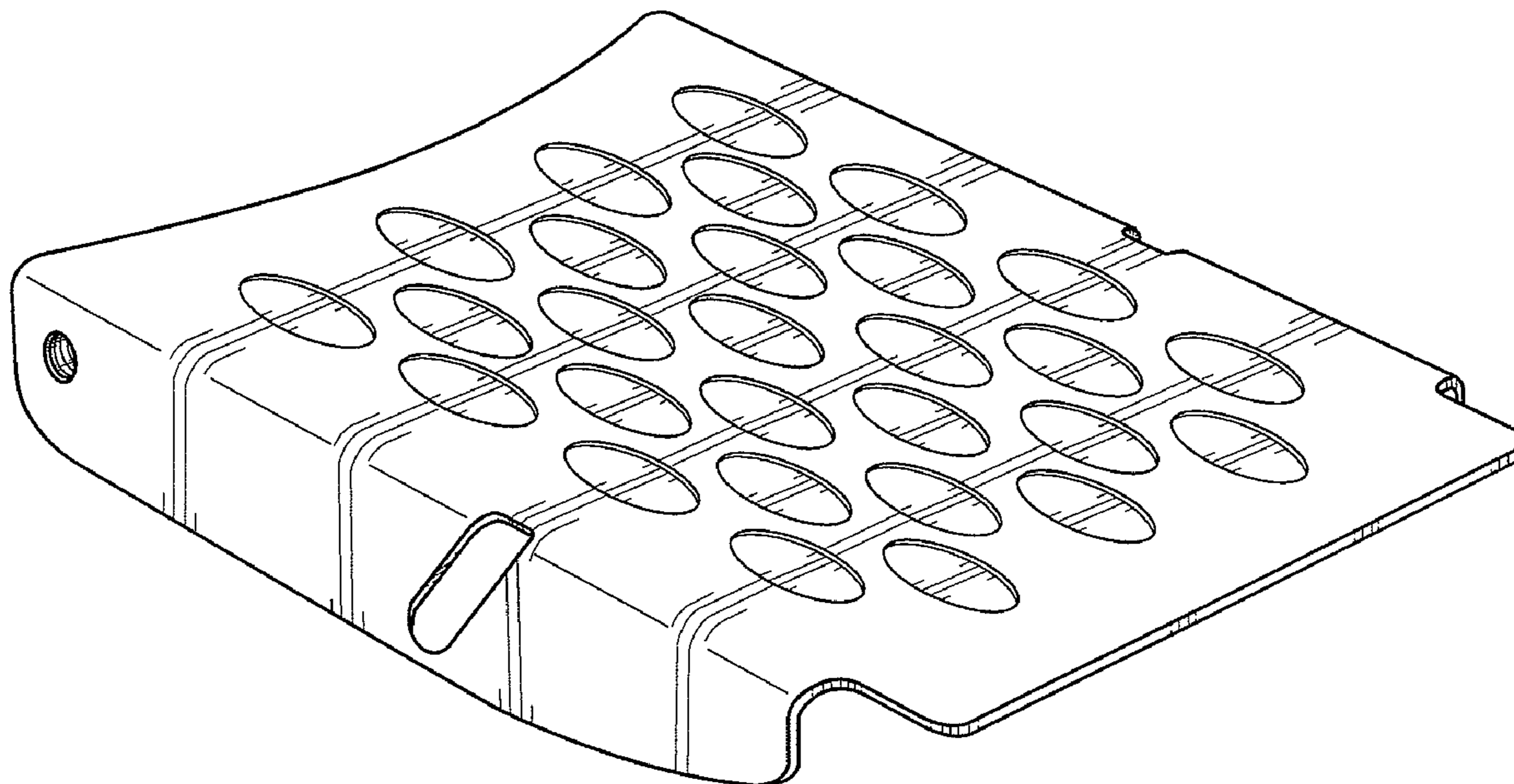
FIG. 1 is a front, left side and top perspective view of the upper plate of a food slicer, showing our new design; FIG. 2 is a top plan view thereof; FIG. 3 is a bottom plan view thereof; FIG. 4 is a right side view thereof; FIG. 5 is a left side view thereof; FIG. 6 is a front elevational view thereof; and, FIG. 7 is a rear elevational view thereof.

(56) **References Cited**

U.S. PATENT DOCUMENTS

- D334,875 S \* 4/1993 Behnke ..... D7/678
- 6,318,652 B1 \* 11/2001 Liu ..... 241/95

**1 Claim, 3 Drawing Sheets**



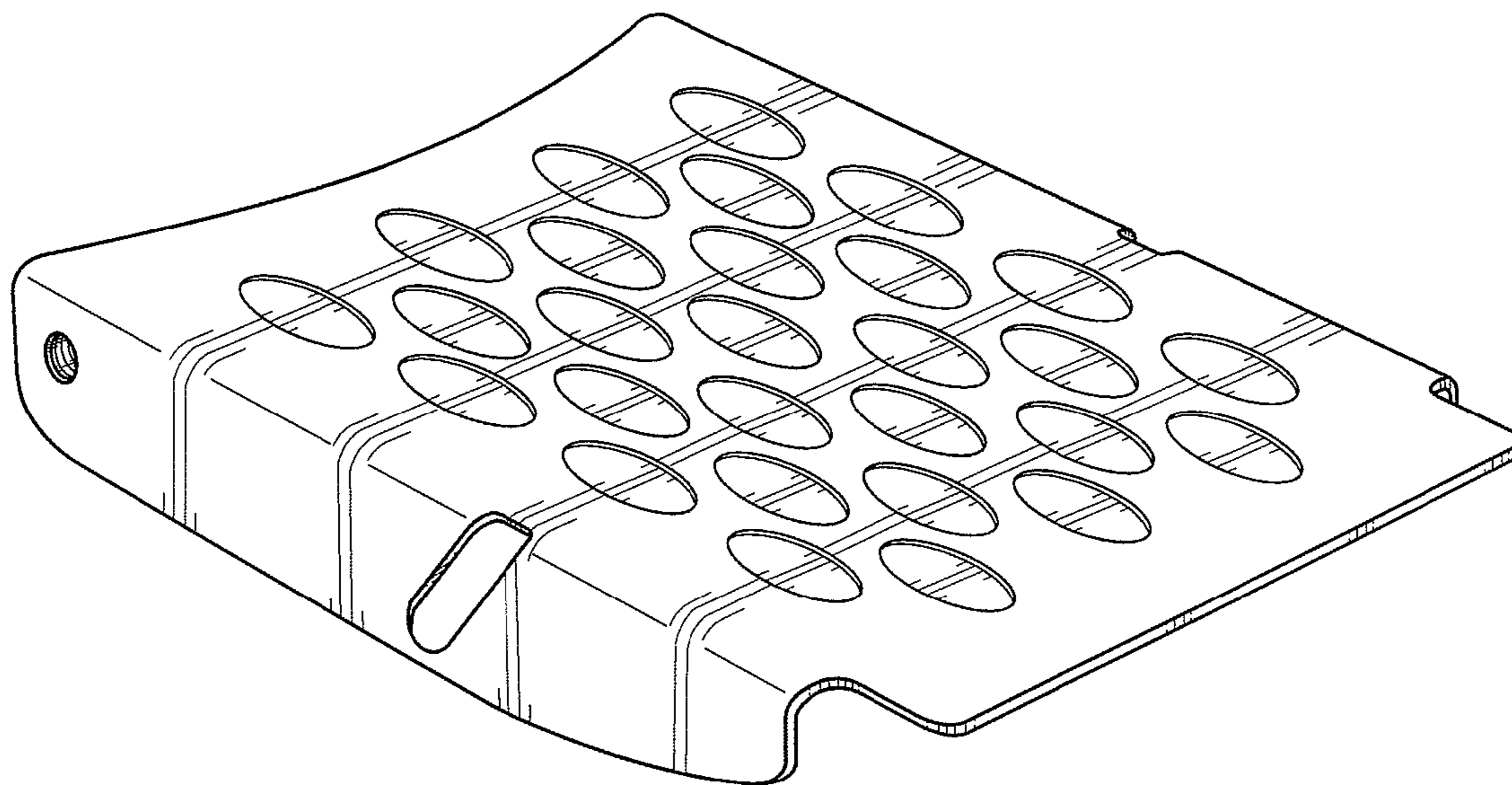


FIG. 1

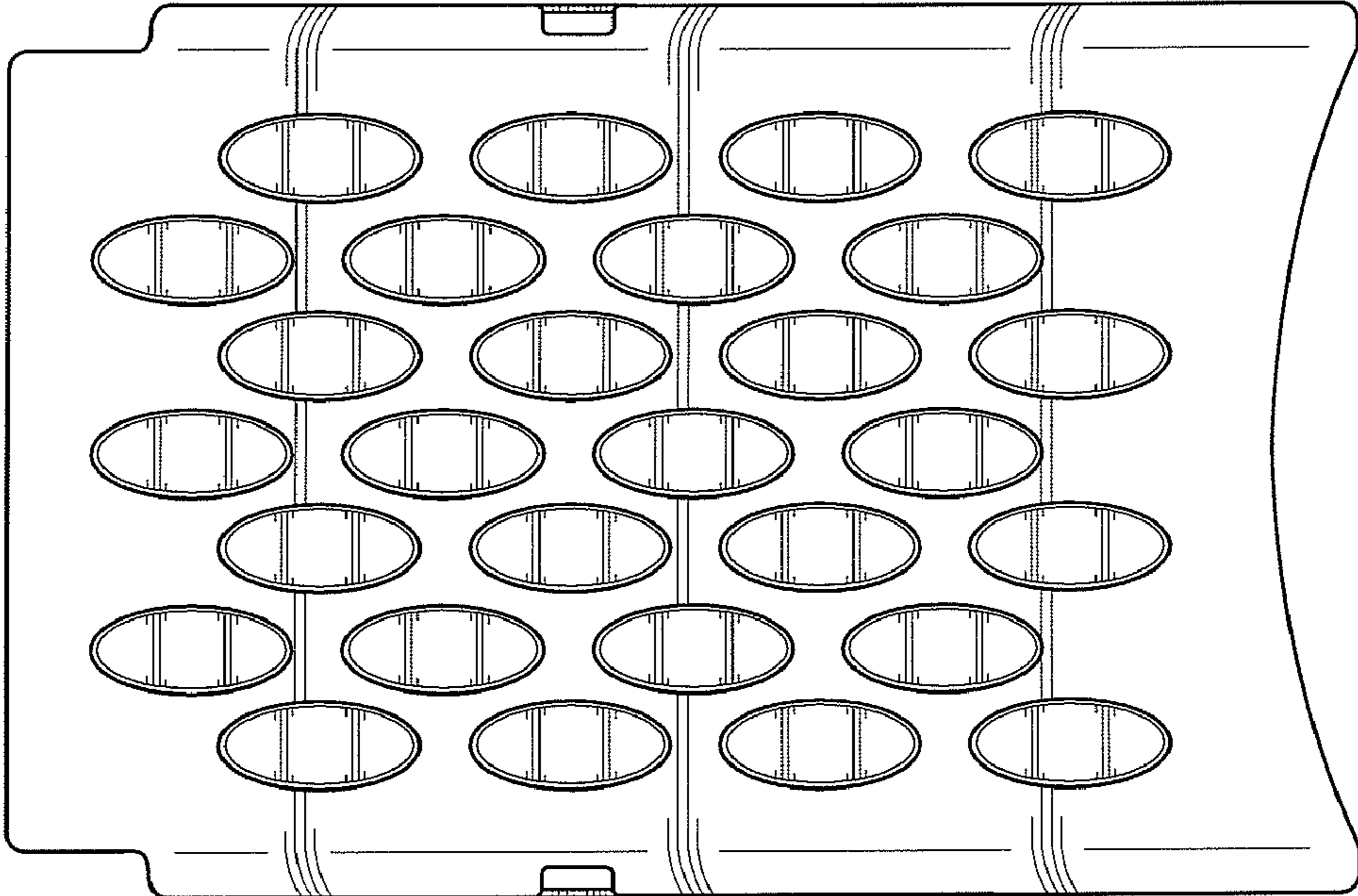


FIG. 2

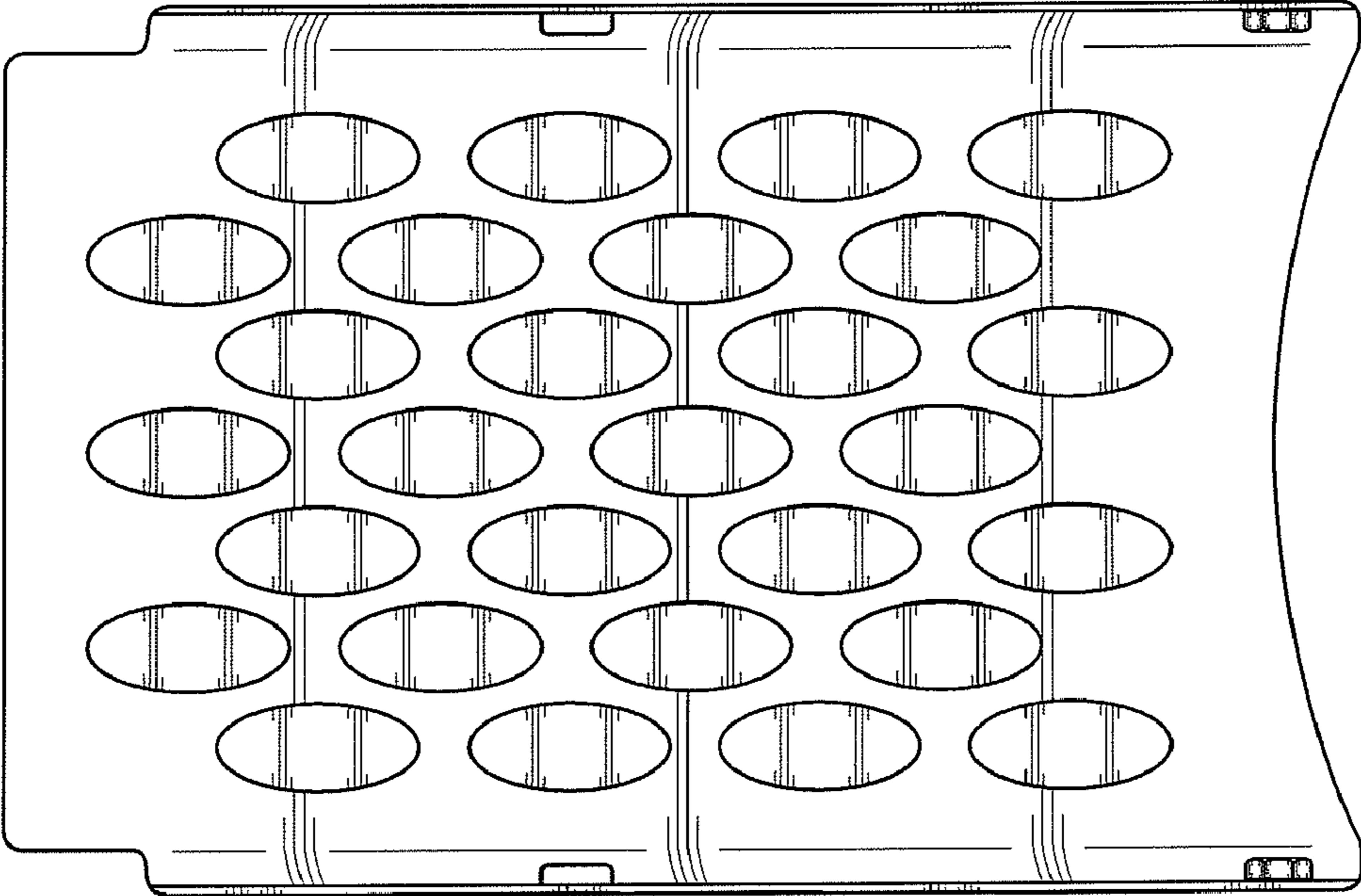


FIG. 3

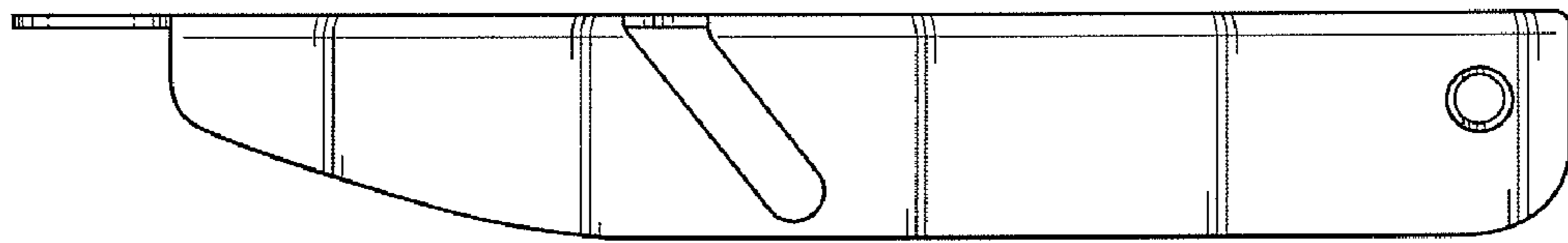


FIG. 4

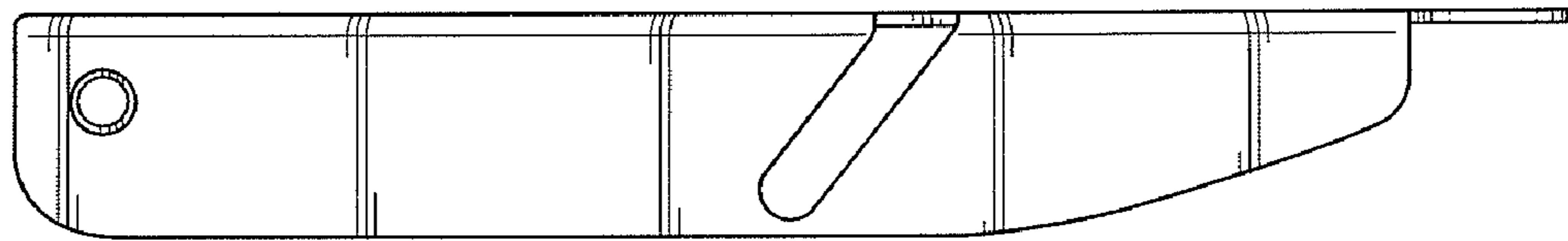


FIG. 5

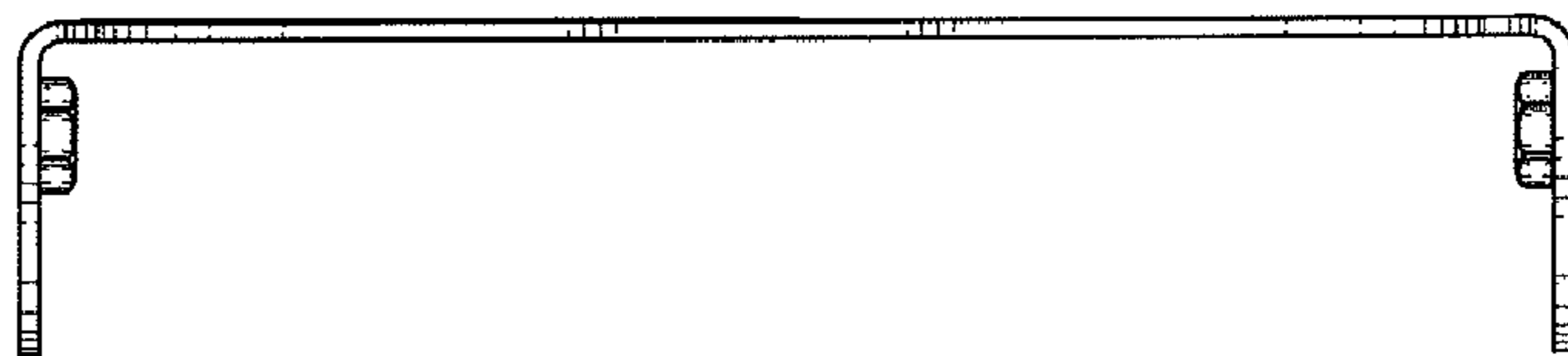


FIG. 6

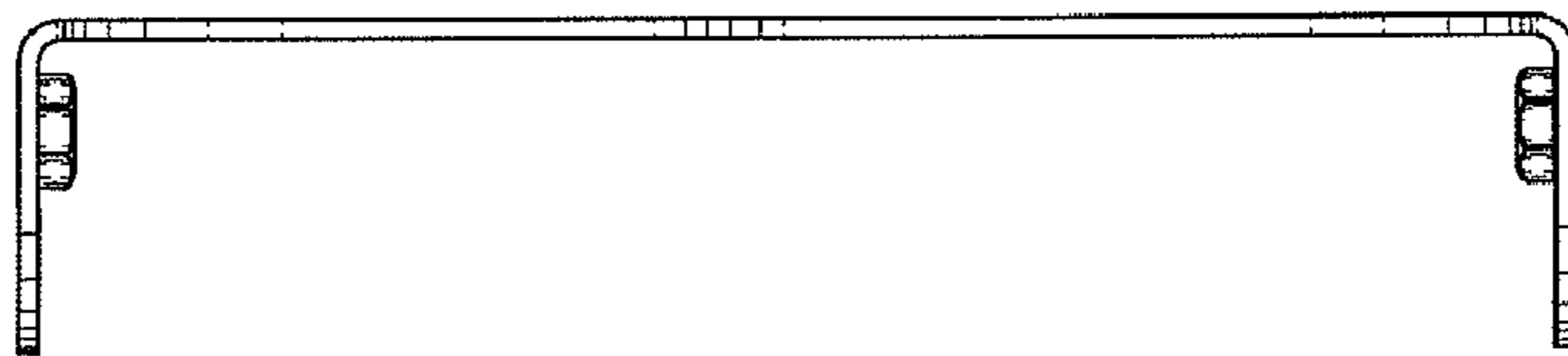


FIG. 7

UNITED STATES PATENT AND TRADEMARK OFFICE  
**CERTIFICATE OF CORRECTION**

PATENT NO. : D652,693 S  
APPLICATION NO. : 29/340609  
DATED : January 24, 2012  
INVENTOR(S) : De Buyer et al.

Page 1 of 1

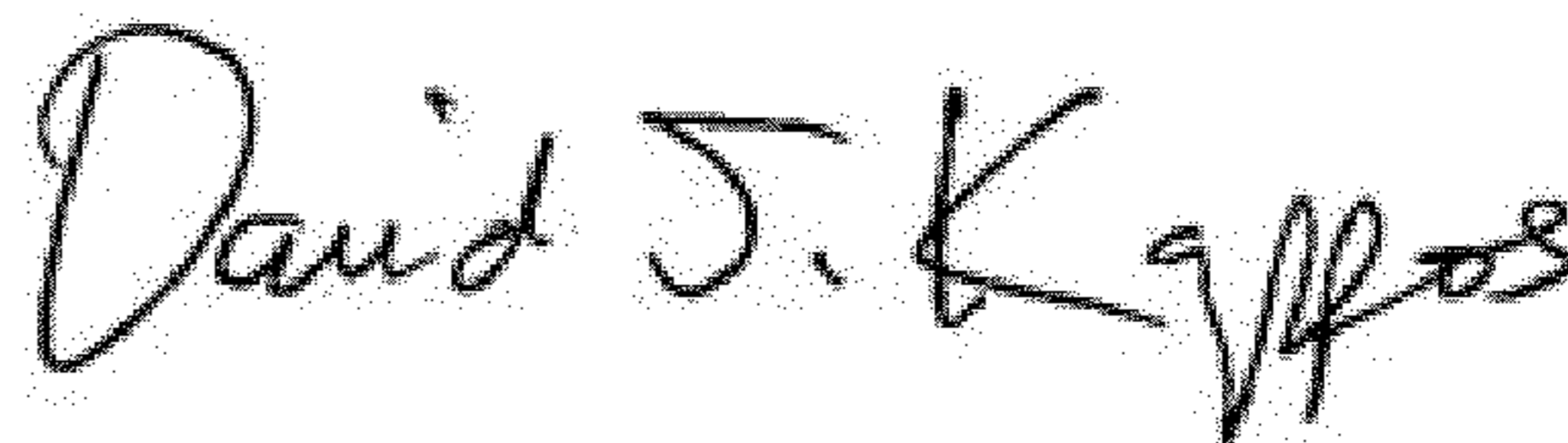
It is certified that error appears in the above-identified patent and that said Letters Patent is hereby corrected as shown below:

On the title page, the Foreign Application Priority Data should be included to read:

-- (30) Foreign Application Priority Data

Jan. 22, 2009 (EM) ..... 001074116-0001  
Jan. 22, 2009 (EM) ..... 001074116-0002  
Jan. 22, 2009 (EM) ..... 001074116-0003  
Jan. 22, 2009 (EM) ..... 001074116-0007 --

Signed and Sealed this  
Twenty-ninth Day of May, 2012



David J. Kappos  
*Director of the United States Patent and Trademark Office*