



US00D652692S

(12) **United States Design Patent**
De Buyer et al.

(10) **Patent No.:** **US D652,692 S**
(45) **Date of Patent:** **** Jan. 24, 2012**

(54) **JULIENNE BLADES FOR A FOOD SLICER**

(75) Inventors: **Julien De Buyer**, Barcelona (ES);
Jean-Noël Mathieu, Vagny (FR)

(73) Assignee: **De Buyer Industries**, Le Val d'Ajol
(FR)

(**) Term: **14 Years**

(21) Appl. No.: **29/340,611**

(22) Filed: **Jul. 22, 2009**

(30) **Foreign Application Priority Data**

Jan. 22, 1920 (EM) 001074116-0004
Jan. 22, 1920 (EM) 001074116-0005
Jan. 22, 1920 (EM) 001074116-0006

(51) **LOC (9) Cl.** **07-04**

(52) **U.S. Cl.** **D7/672; D7/678; D7/412**

(58) **Field of Classification Search** D7/672-678,
D7/381-385, 412; 30/114, 278, 279.6, 280,
30/286, 287, 389-391; 241/92-95, 100,
241/168, 169, 169.1, 273.1-273.4, 30, 33,
241/36, 37.5; 83/669, 856-858, 717, 697,
83/870, 699.51, 699.61, 932, 954, 437.4,
83/441.1, 431, 435.15, 425.3

See application file for complete search history.

(56) **References Cited**

U.S. PATENT DOCUMENTS

D534,041 S 12/2006 De Buyer
7,143,677 B2 * 12/2006 Zeder et al. 83/698.11
D535,162 S 1/2007 De Buyer
D584,576 S * 1/2009 Debuyer D7/673
D599,618 S * 9/2009 de Buyer D7/412

* cited by examiner

Primary Examiner — Terry Wallace

(74) *Attorney, Agent, or Firm* — Galgano & Associates,
PLLC; Thomas M. Galgano; Jessica G. Bower

(57) **CLAIM**

The ornamental design for julienne blades for a food slicer, as shown and described.

DESCRIPTION

FIG. 1 is a front, left side and top perspective view of a first embodiment of a julienne blade for a food slicer, showing our new design;

FIG. 2 is a front elevational view thereof;

FIG. 3 is a back elevational view thereof;

FIG. 4 is a left side elevational view thereof;

FIG. 5 is a right side elevational view thereof;

FIG. 6 is a top plan view thereof;

FIG. 7 is a bottom plan view thereof;

FIG. 8 is a front, left side and top perspective view of a second embodiment of a julienne blade for a food slicer, showing our new design and which has a virtually similar base to the first embodiment except for the size and spacing of the cutting blades;

FIG. 9 is a front elevational view thereof;

FIG. 10 is a back elevational view thereof;

FIG. 11 is a left side elevational view thereof;

FIG. 12 is a right side elevational view thereof;

FIG. 13 is a top plan view thereof;

FIG. 14 is a bottom plan view thereof;

FIG. 15 is a front, left side, and top perspective view of a third embodiment of a julienne blade for a food slicer, showing our new design and which has a virtually similar base to the first embodiment except for the substitution of an elongated rectangular tab in place of the curved tab shown in the first embodiment and also in regard to the size and spacing of the cutting blades from the first embodiment;

FIG. 16 is a front elevational view thereof;

FIG. 17 is a back elevational view thereof;

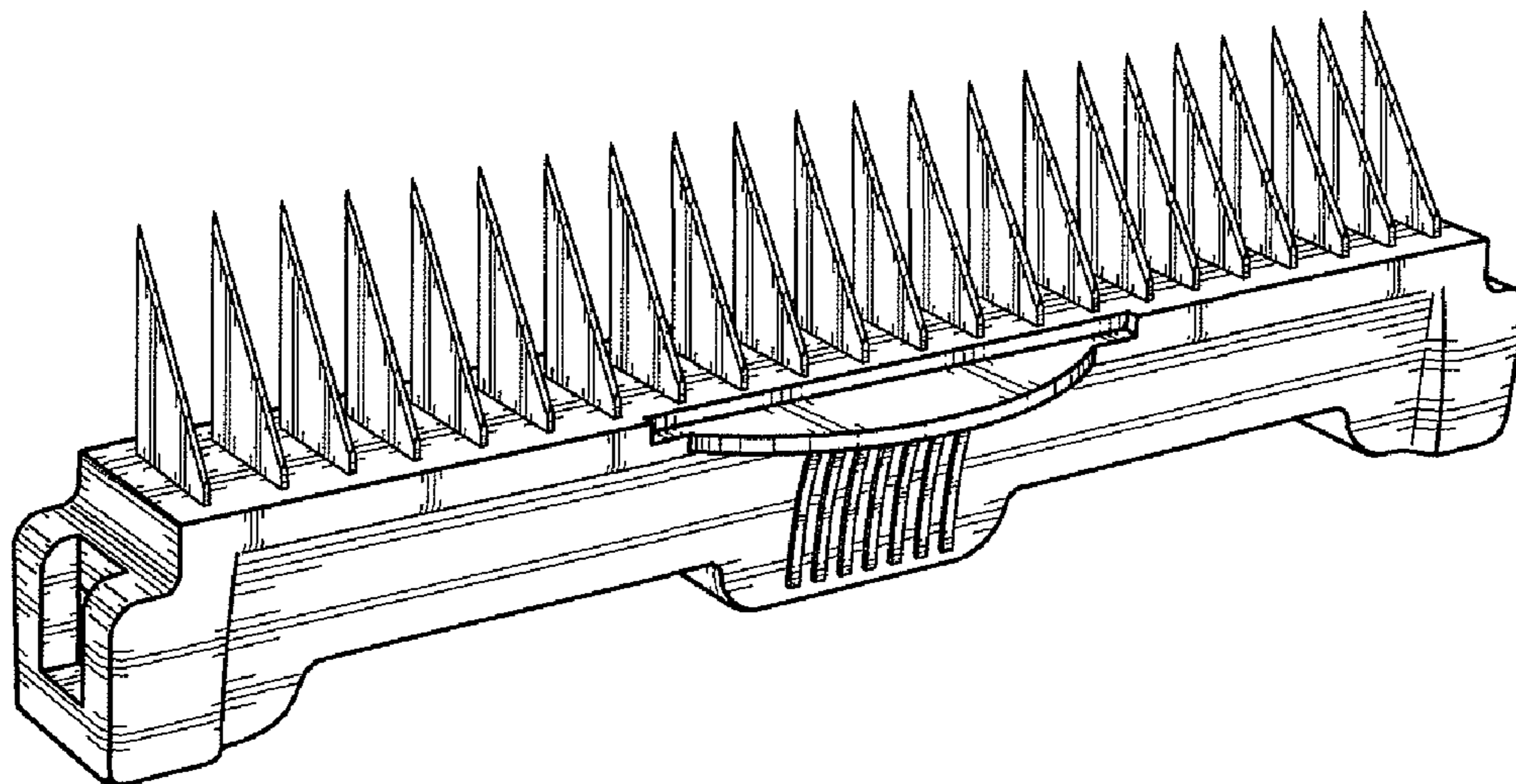
FIG. 18 is a left side elevational view thereof;

FIG. 19 is a right side elevational view thereof;

FIG. 20 is a top plan view thereof; and,

FIG. 21 is a bottom plan view thereof.

1 Claim, 6 Drawing Sheets



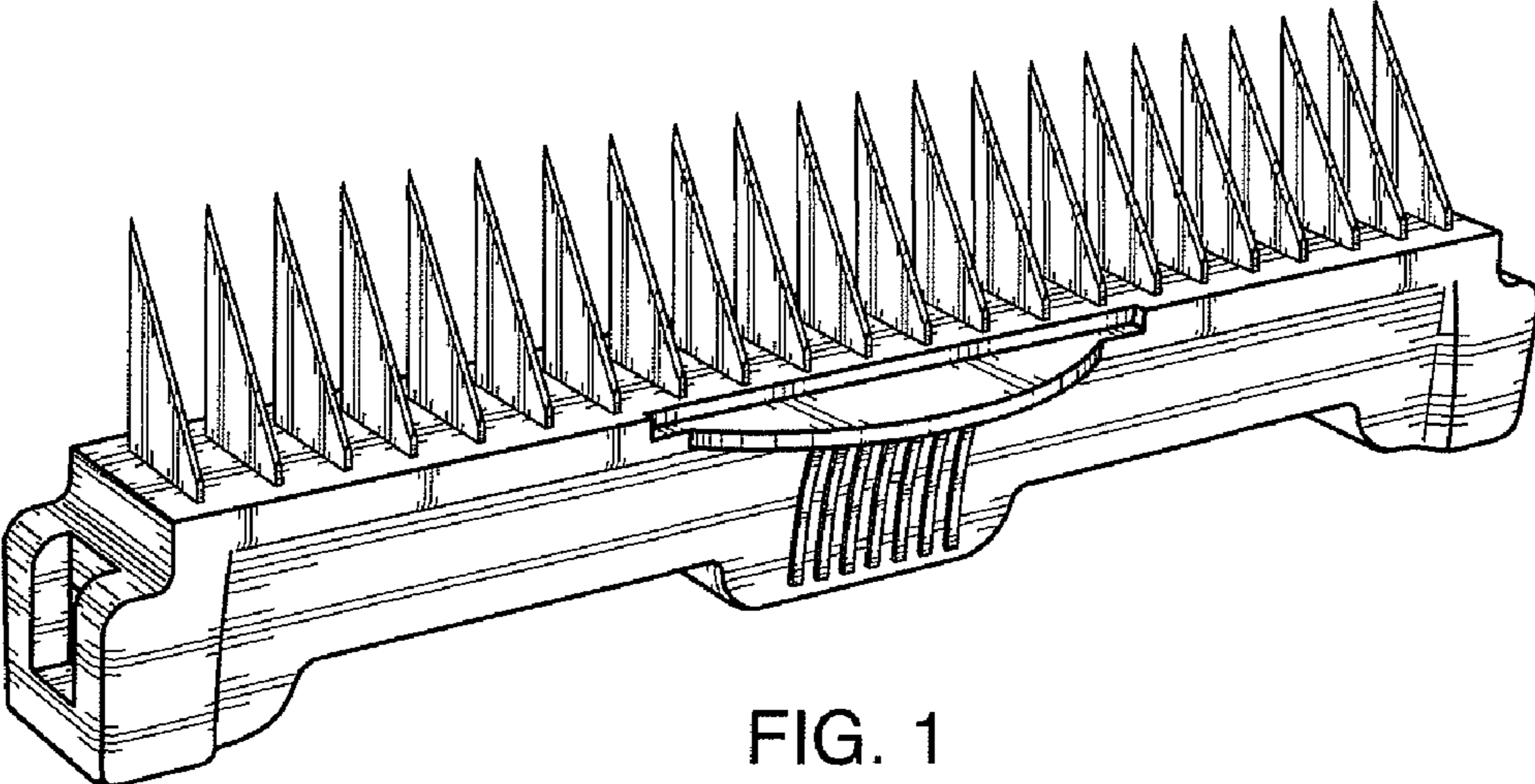


FIG. 1

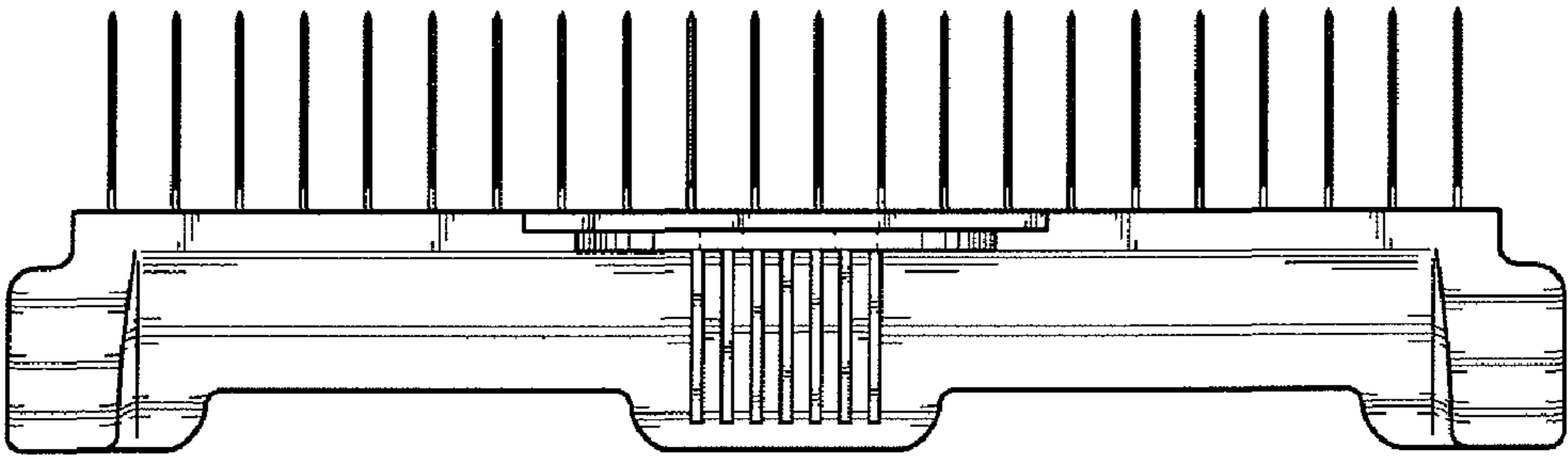


FIG. 2

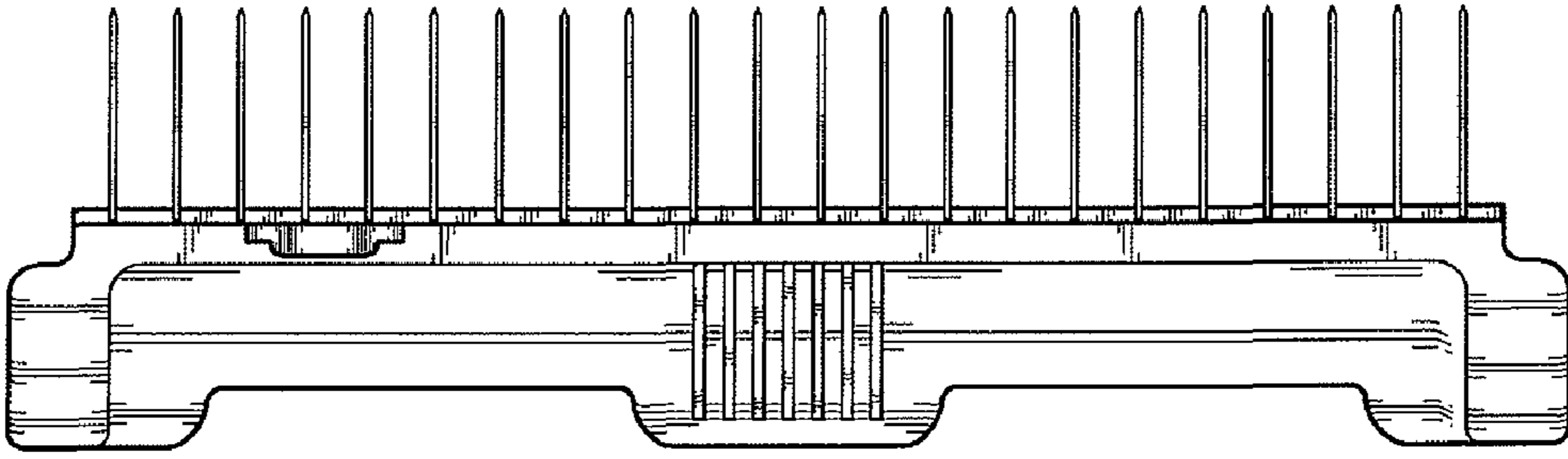


FIG. 3

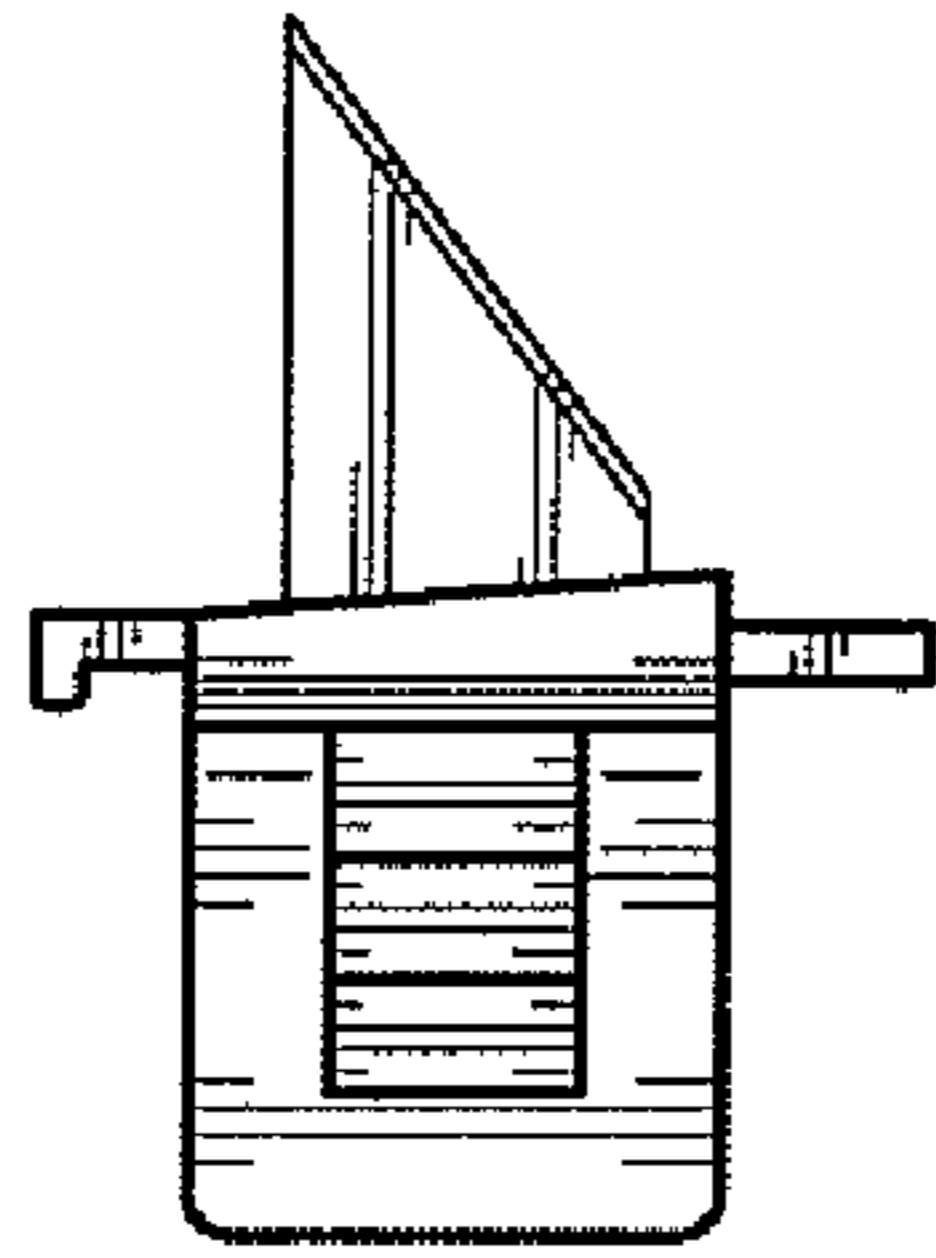


FIG. 4

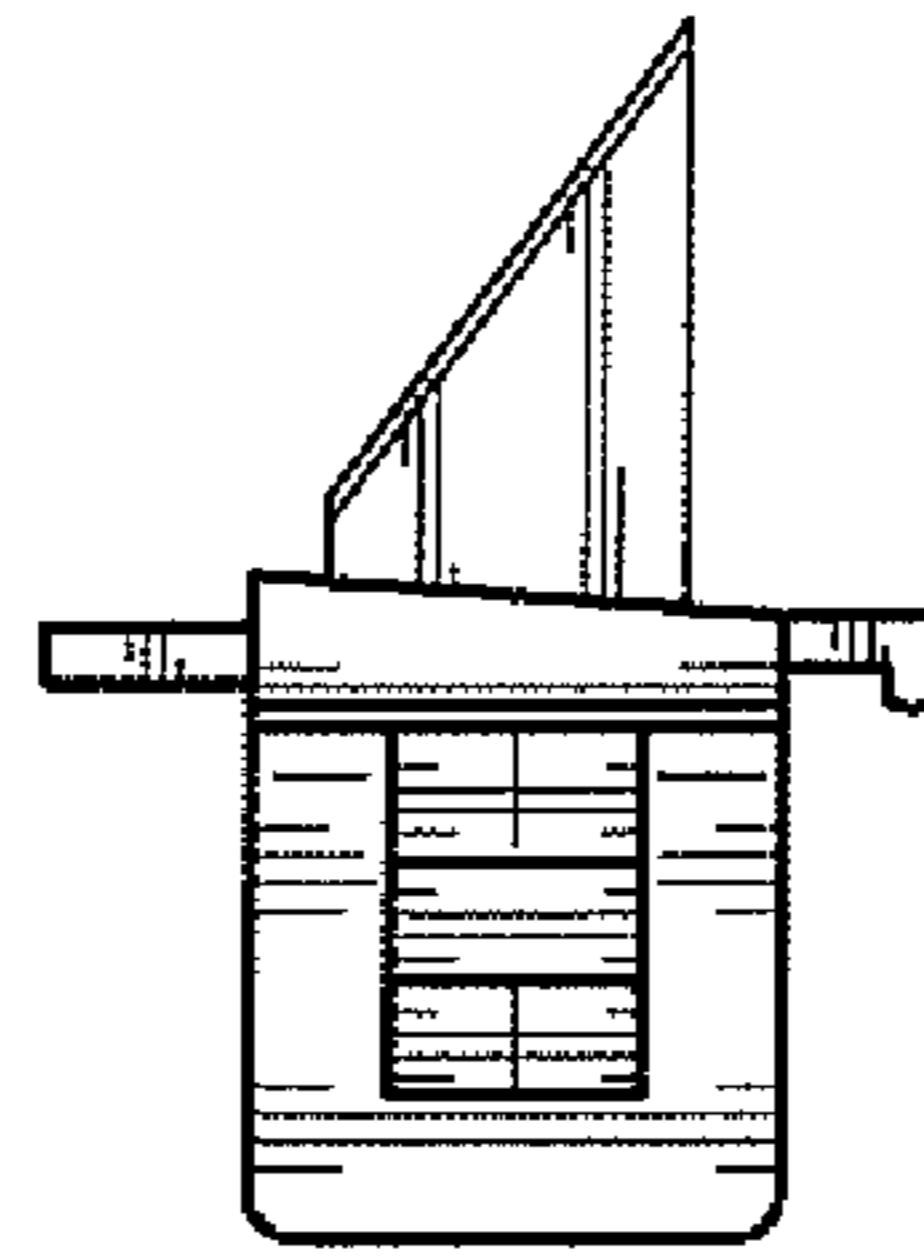


FIG. 5

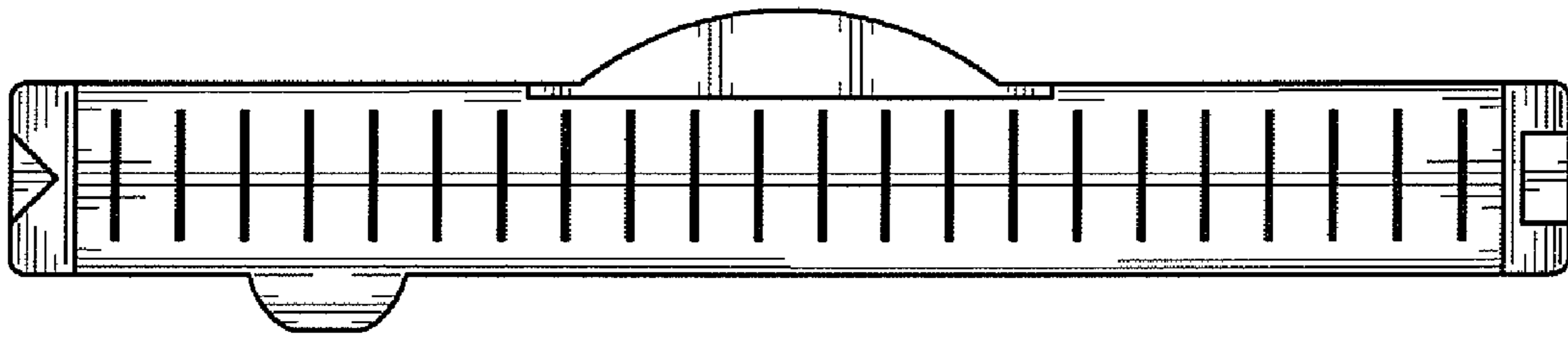


FIG. 6

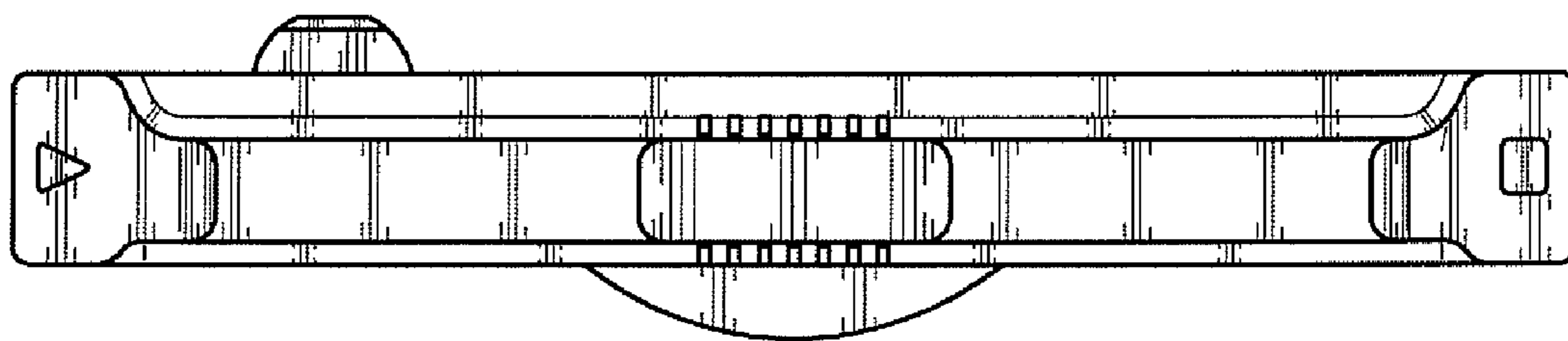


FIG. 7

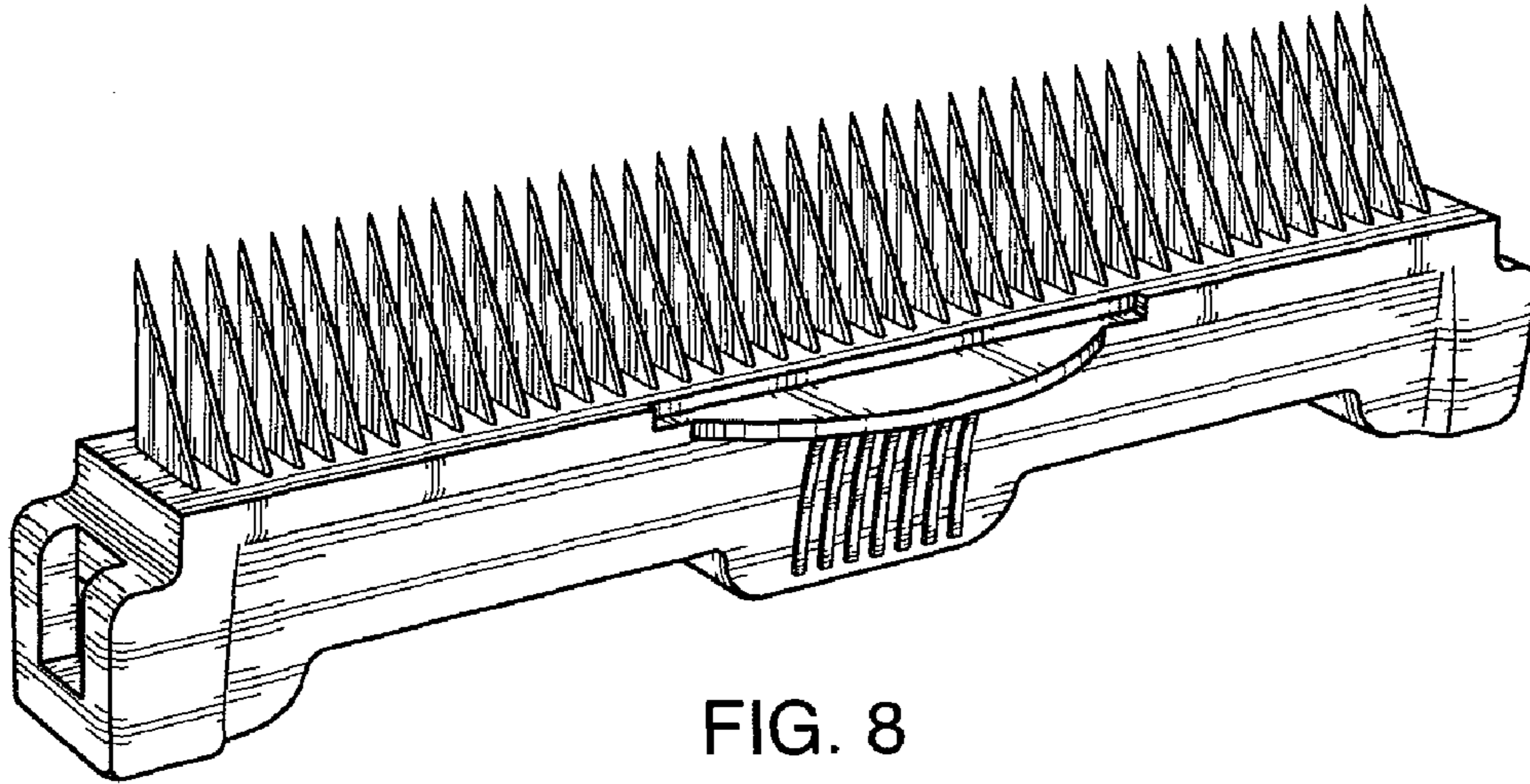


FIG. 8

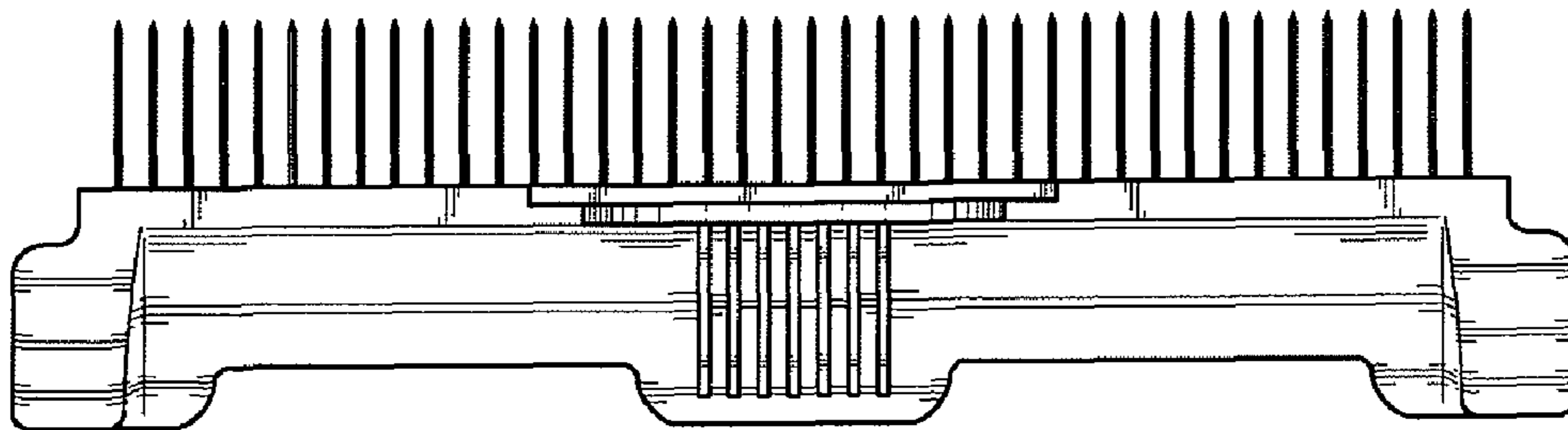


FIG. 9

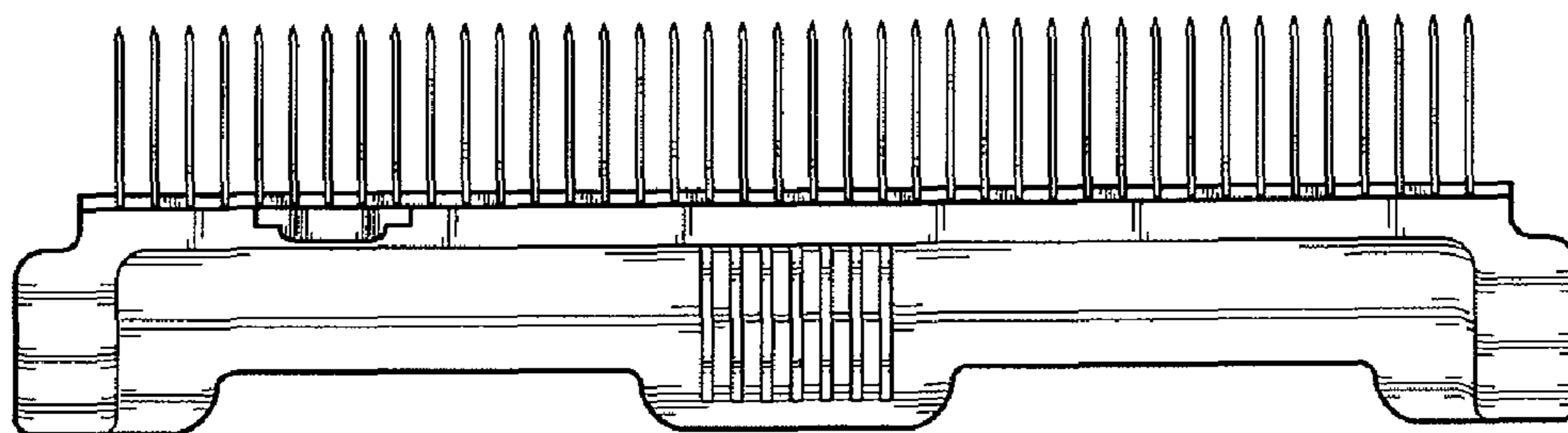


FIG. 10

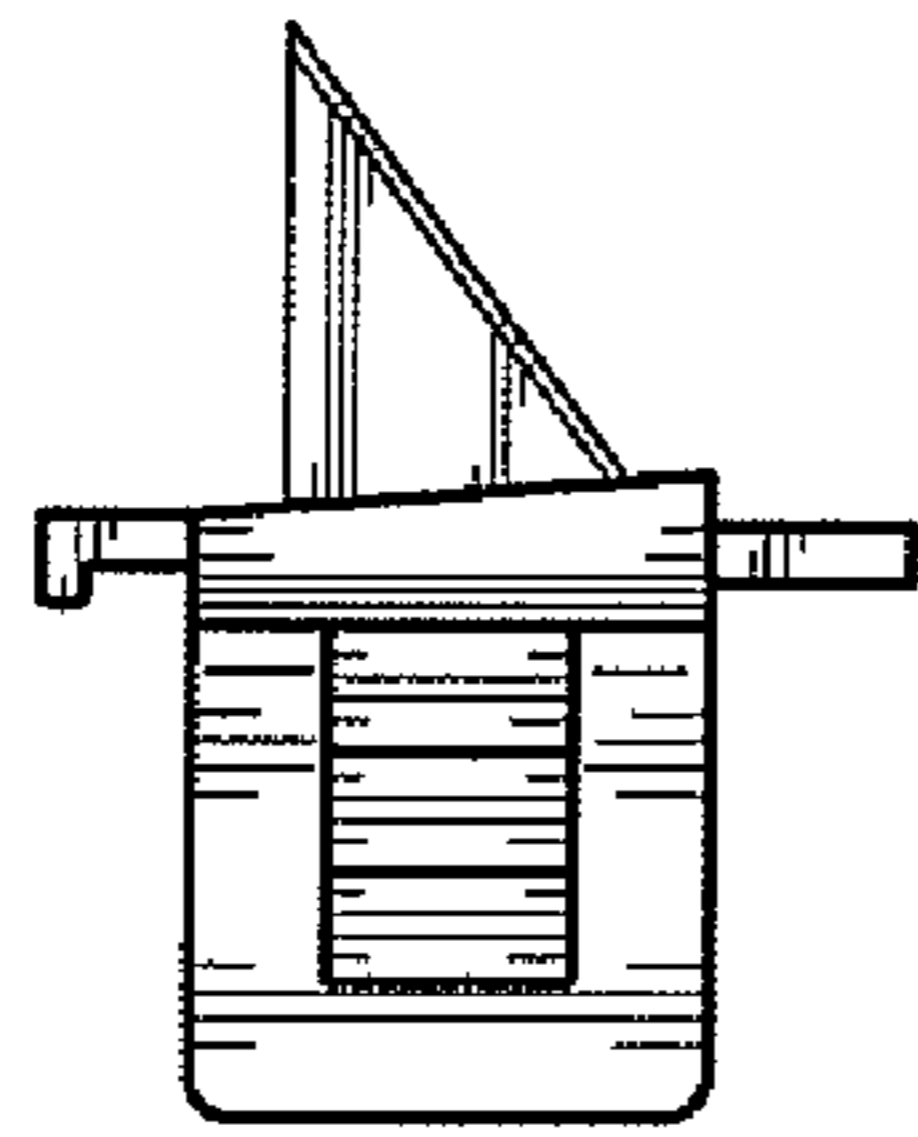


FIG. 11

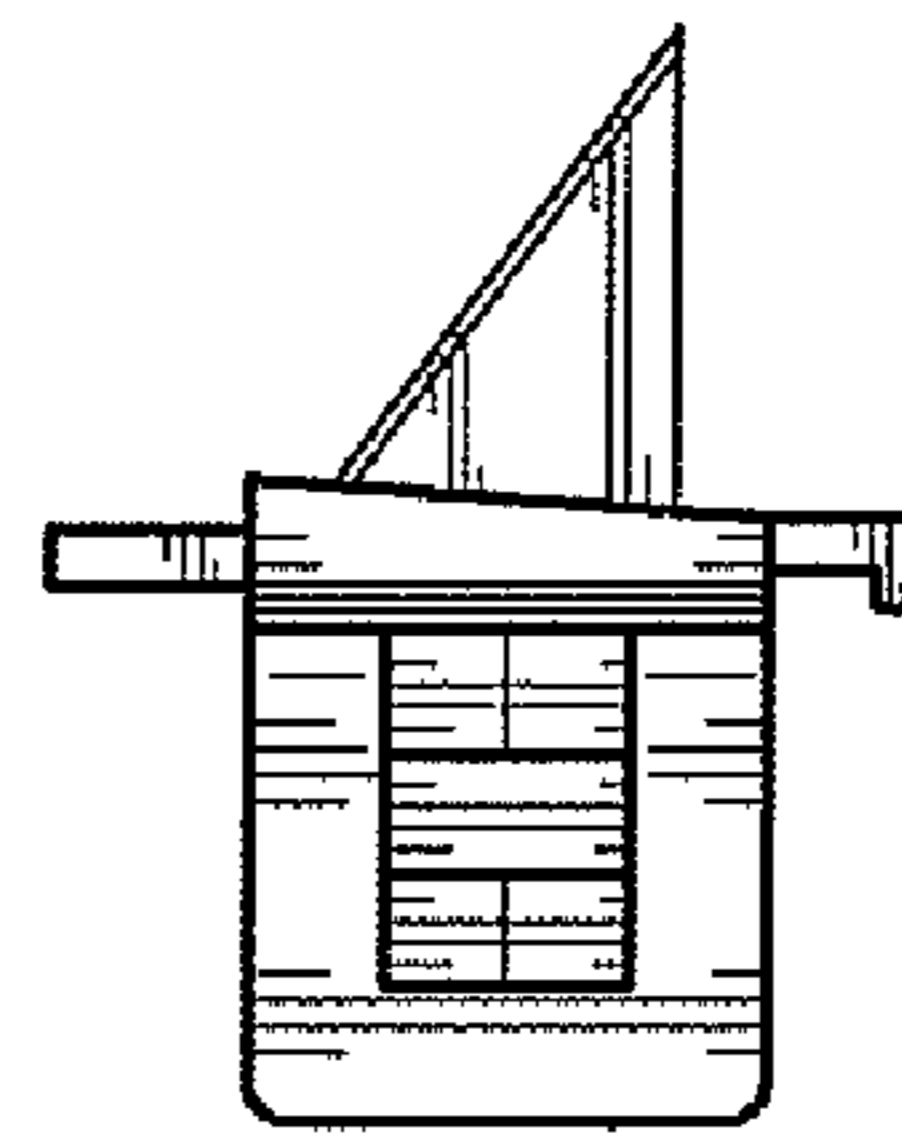


FIG. 12

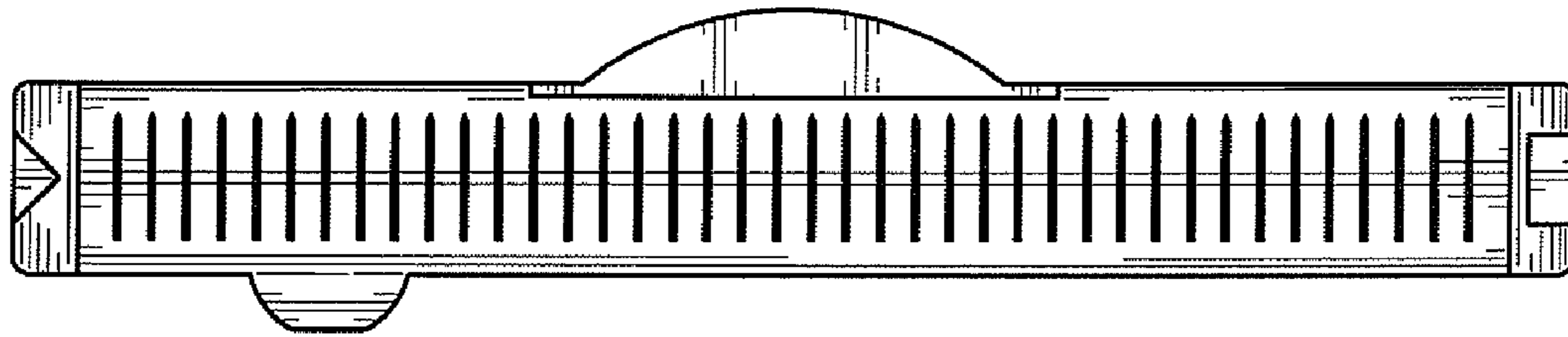


FIG. 13

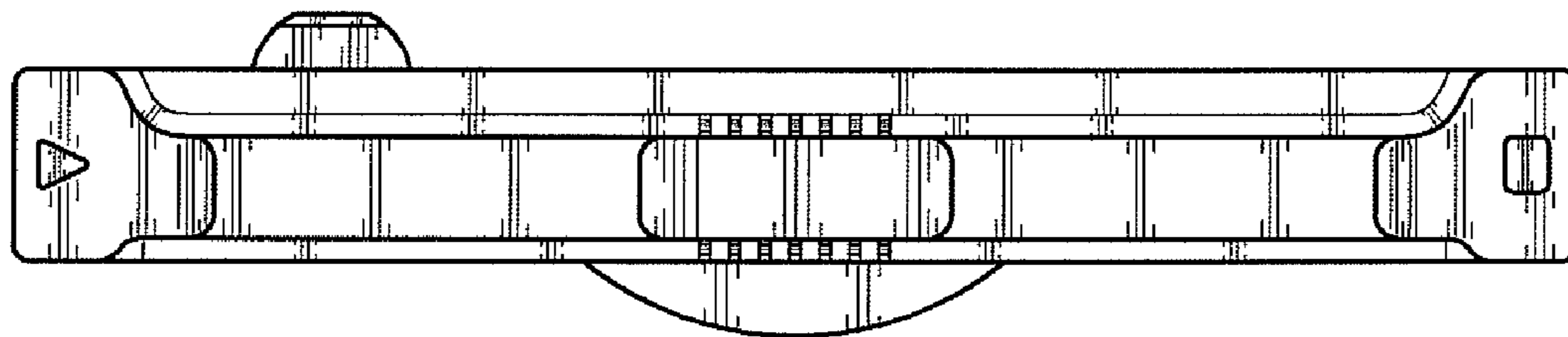


FIG. 14

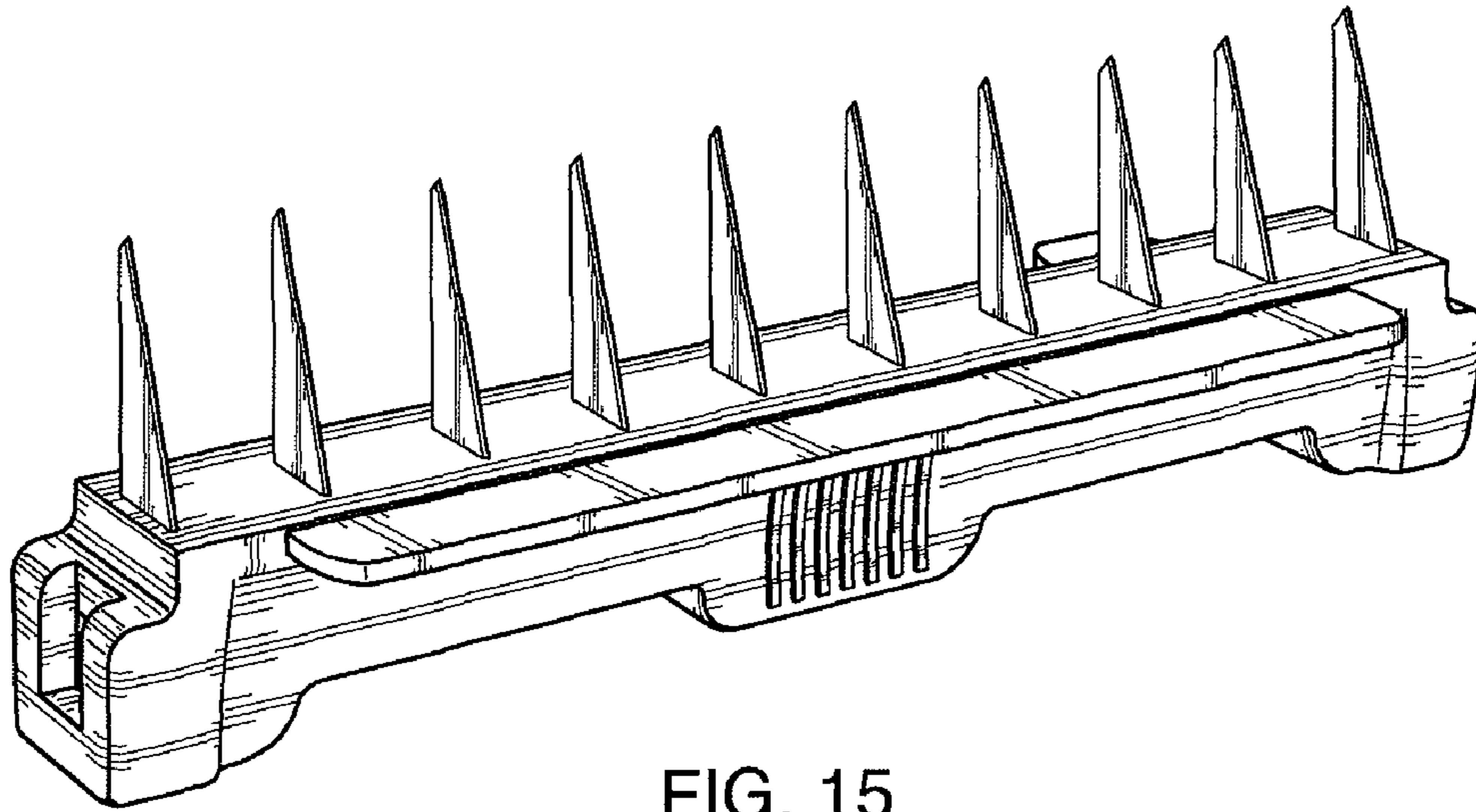


FIG. 15

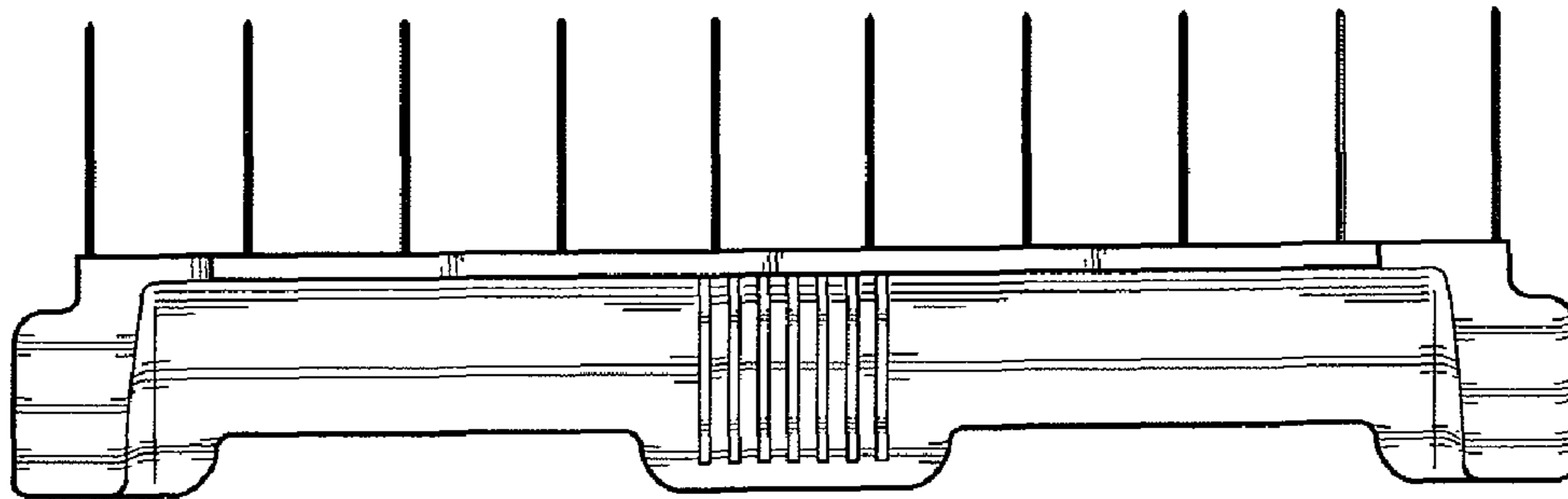


FIG. 16

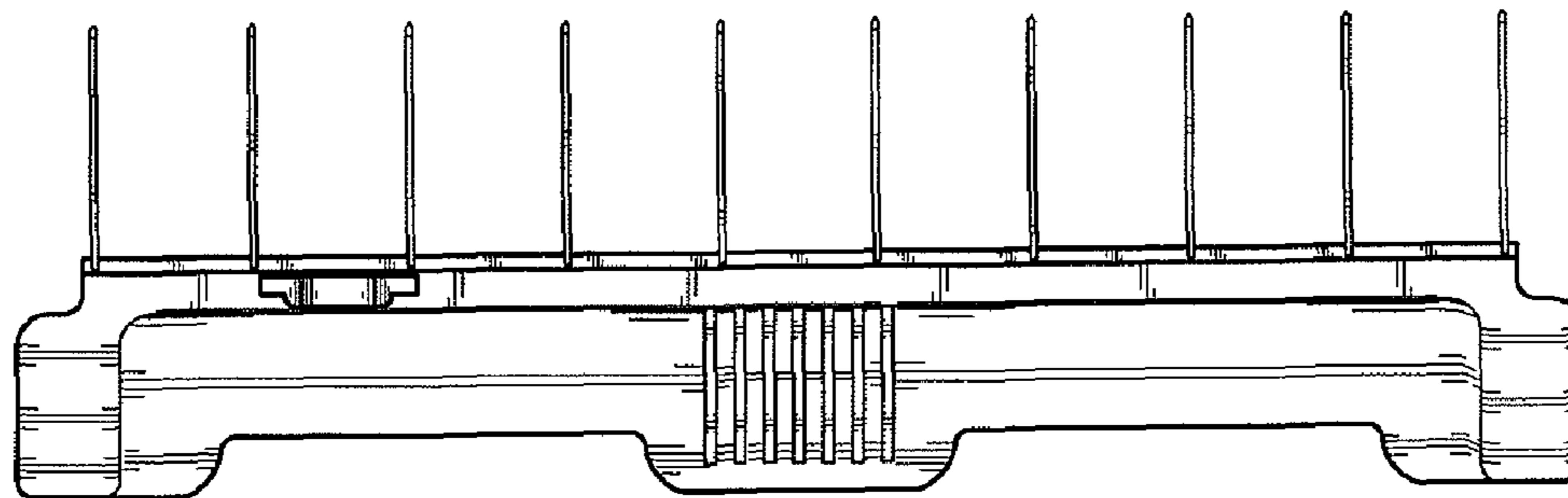


FIG. 17

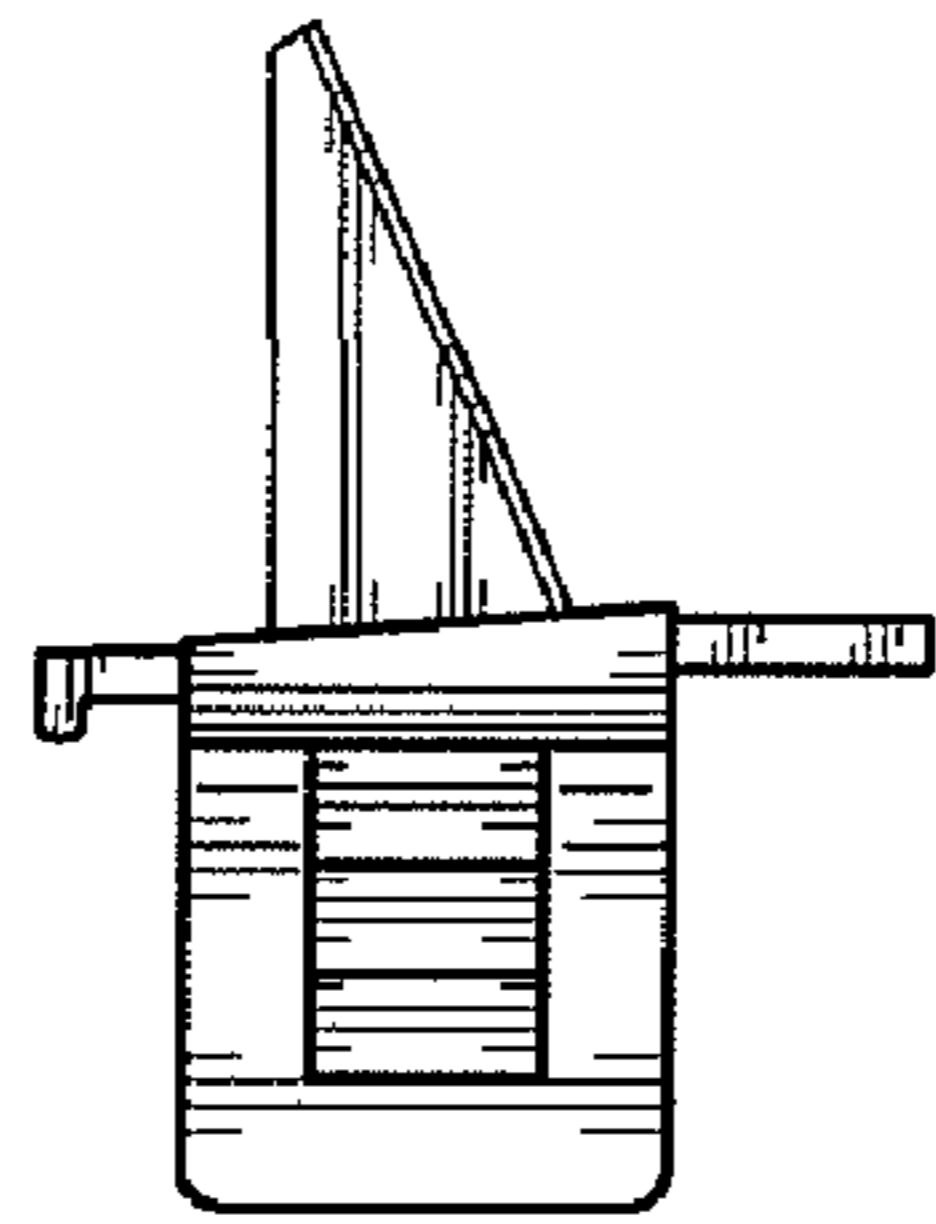


FIG. 18

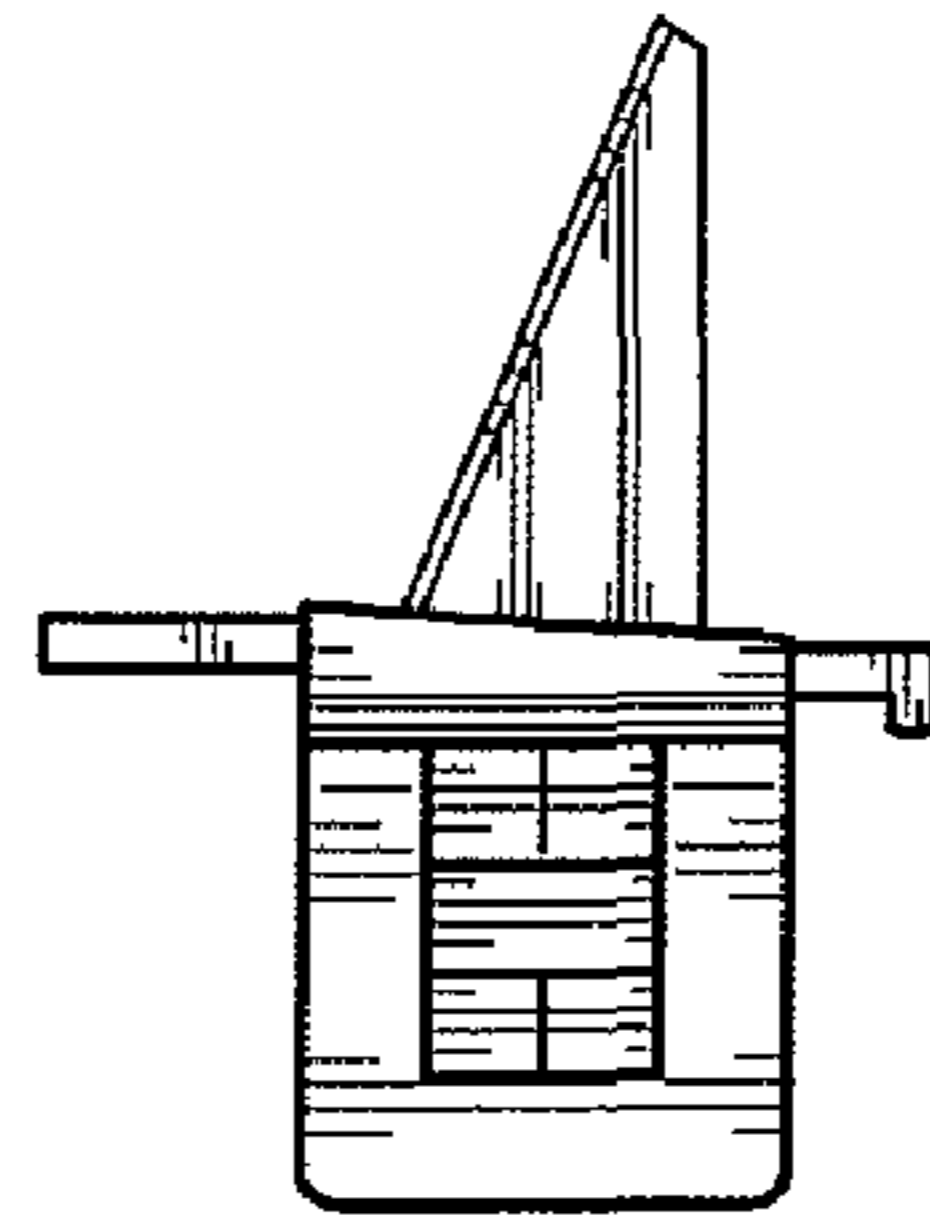


FIG. 19

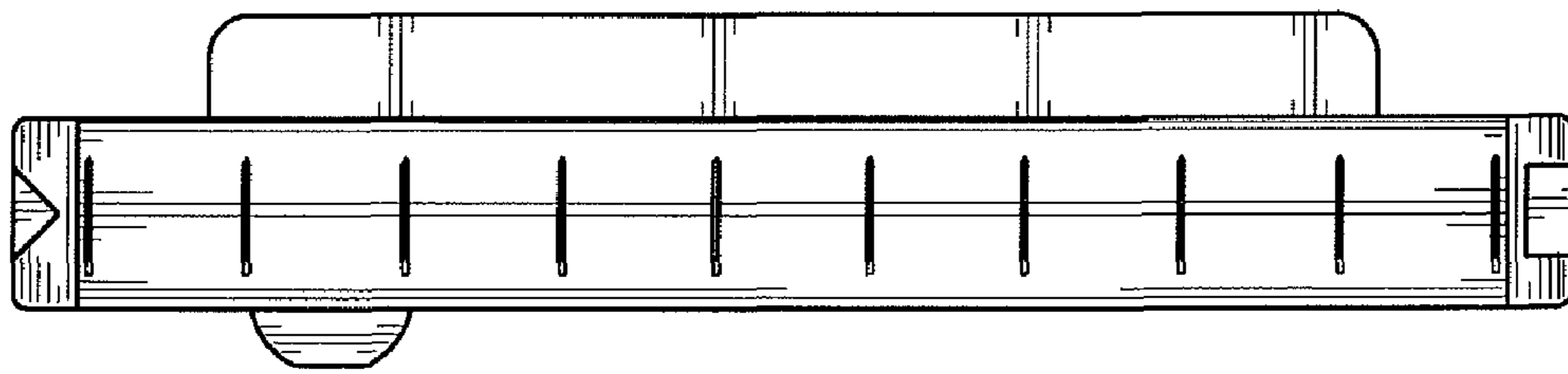


FIG. 20

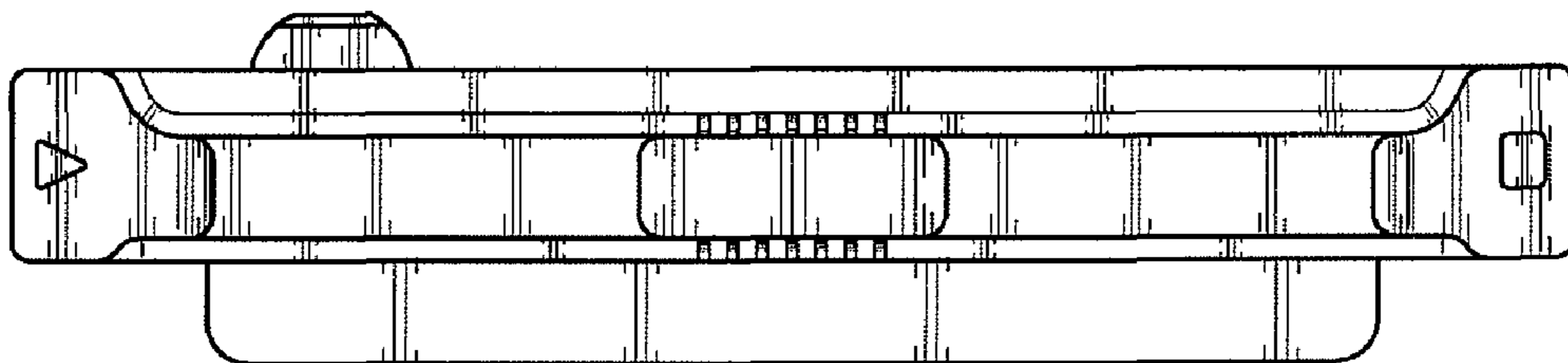


FIG. 21

UNITED STATES PATENT AND TRADEMARK OFFICE
CERTIFICATE OF CORRECTION

PATENT NO. : D652,692 S
APPLICATION NO. : 29/340611
DATED : January 24, 2012
INVENTOR(S) : De Buyer et al.

Page 1 of 1

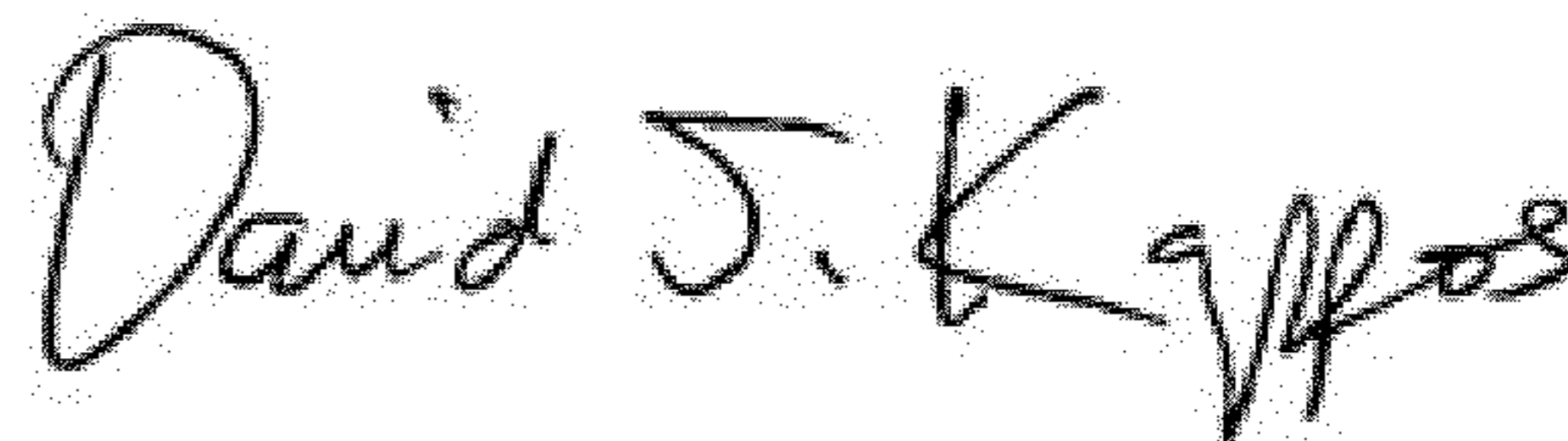
It is certified that error appears in the above-identified patent and that said Letters Patent is hereby corrected as shown below:

On the title page, the Foreign Application Priority Data should read:

(30) Foreign Application Priority Data

Jan. 22, "1920" -- 2009 -- (EM)..... 001074116-0004
Jan. 22, "1920" -- 2009 -- (EM)..... 001074116-0005
Jan. 22, "1920" -- 2009 -- (EM)..... 001074116-0006

Signed and Sealed this
Twenty-ninth Day of May, 2012



David J. Kappos
Director of the United States Patent and Trademark Office