

US00D652690S

(12) **United States Design Patent**  
**Goodman et al.**

(10) **Patent No.:** **US D652,690 S**  
(45) **Date of Patent:** **\*\* Jan. 24, 2012**

(54) **SILVERWARE CADDY**

D591,565 S \* 5/2009 Goodman et al. .... D7/637

\* cited by examiner

(75) Inventors: **Sheldon H. Goodman**, Solon, OH (US);  
**Phaysouk Xayoiphonh**, Akron, OH  
(US); **Grace Lee**, Mayfield, OH (US)

*Primary Examiner* — Terry Wallace

(74) *Attorney, Agent, or Firm* — Benesch Friedlander  
Coplan & Aronoff LLP

(73) Assignee: **Spectrum Diversified Designs, Inc.**,  
Streetsboro, OH (US)

(57) **CLAIM**

(\*\*) Term: **14 Years**

What is claimed is the ornamental design for a silverware  
caddy, as shown and described.

(21) Appl. No.: **29/393,923**

**DESCRIPTION**

(22) Filed: **Jun. 10, 2011**

(51) **LOC (9) Cl.** ..... **07-06**

(52) **U.S. Cl.** ..... **D7/637**

(58) **Field of Classification Search** ..... D7/637-641,  
D7/701-708, 619.1; D19/77, 65, 75, 85;  
248/176.1, 37.3; D6/457, 476; 211/69.1-69.9,  
211/70.6, 70.7, 71.01, 41.2, 41.3, 41.7, 181.1,  
211/60.1; D32/55

FIG. 1 is a perspective view of a silverware caddy showing a  
new design;

FIG. 2 is a front view of the silverware caddy of FIG. 1;

FIG. 3 is a rear view of the silverware caddy of FIG. 1;

FIG. 4 is a left side view of the silverware caddy of FIG. 1;

FIG. 5 is a right side view of the silverware caddy of FIG. 1;

FIG. 6 is a top view of the silverware caddy of FIG. 1;

FIG. 7 is an exploded view of the unclaimed bottom surface of  
the silverware caddy of FIG. 1; and,

FIG. 8 is a bottom view of the silverware caddy of FIG. 1.

The components of the display shown in broken lines illus-  
trate portions of the silverware caddy which form no part of  
the claimed design. Further, the vertical and diagonal broken  
lines are not meant to be indicative of any specified colors.

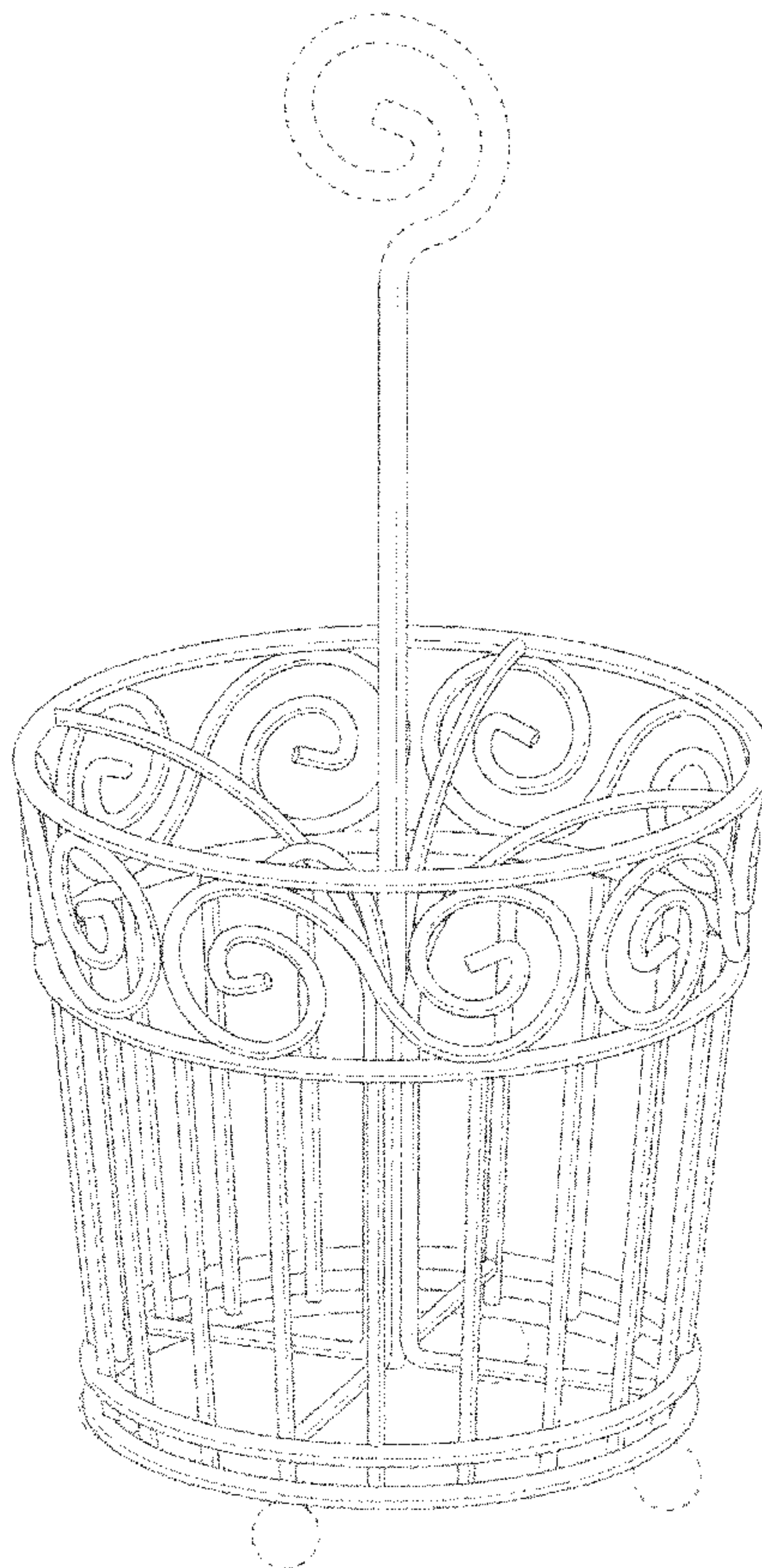
See application file for complete search history.

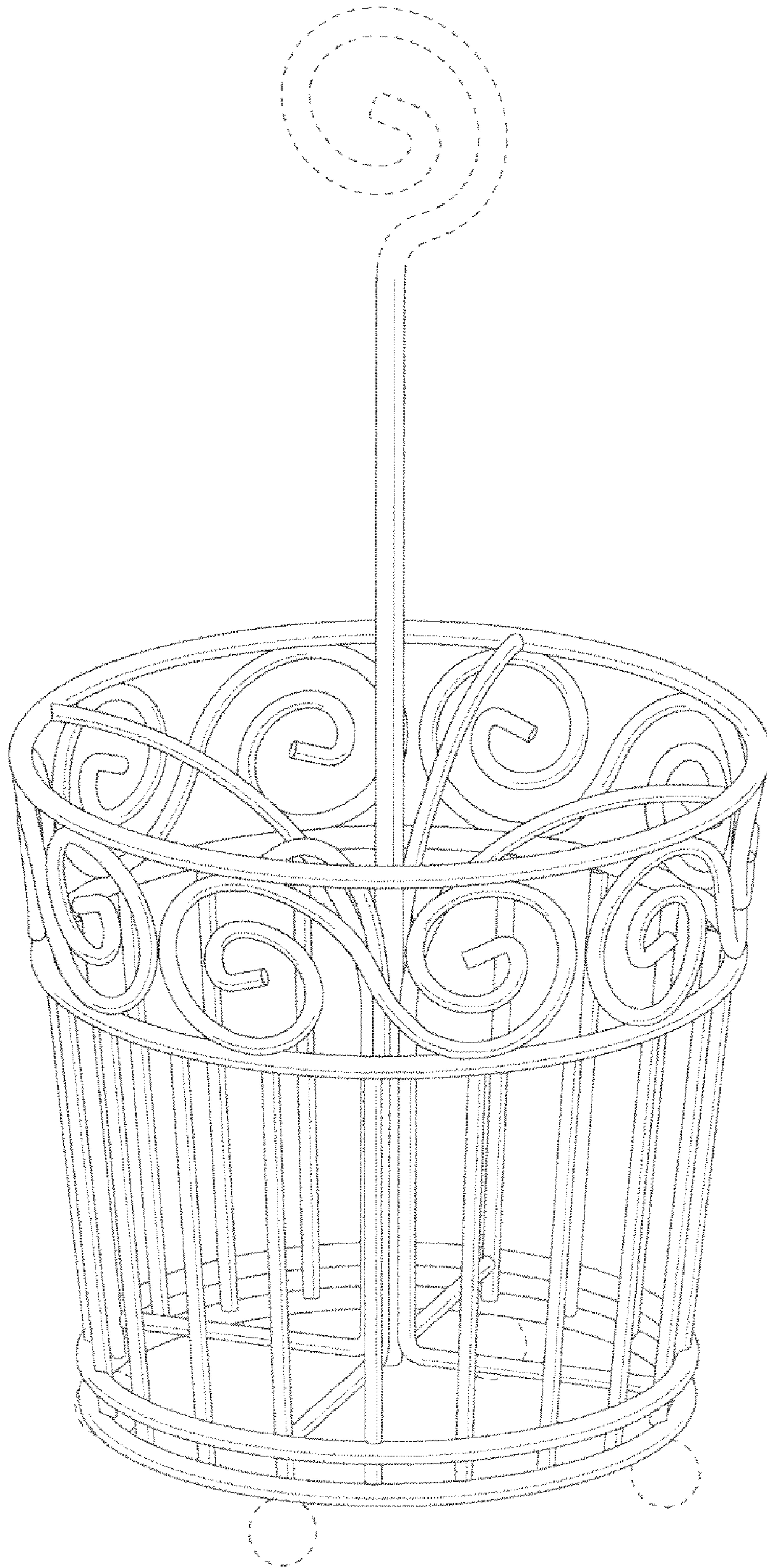
(56) **References Cited**

**U.S. PATENT DOCUMENTS**

4,836,392 A \* 6/1989 Constantino ..... 211/181.1  
D397,000 S \* 8/1998 Goodman et al. .... D7/637  
D433,287 S \* 11/2000 Goodman et al. .... D7/640

**1 Claim, 4 Drawing Sheets**





**FIG. 1**



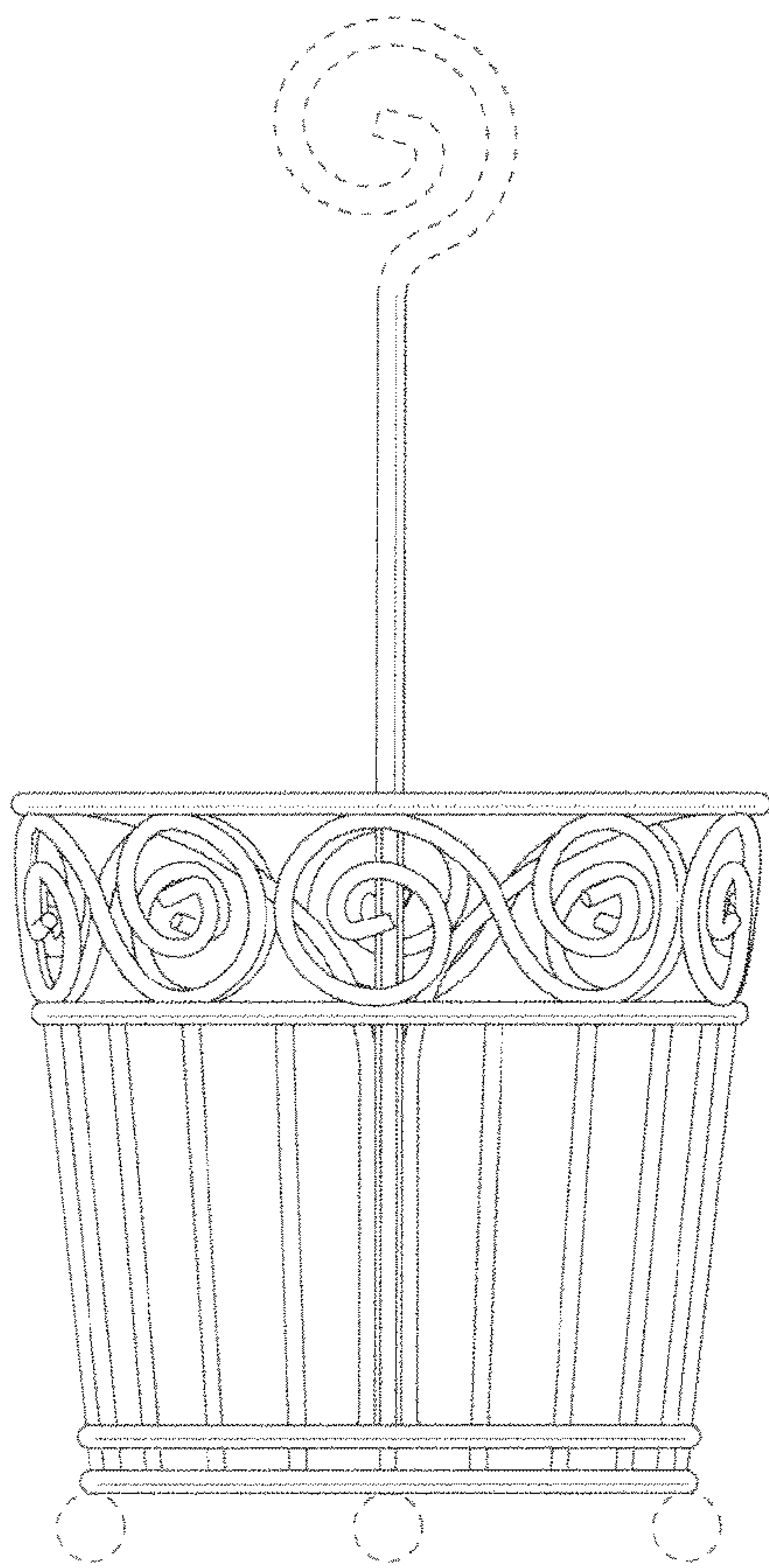


FIG. 2

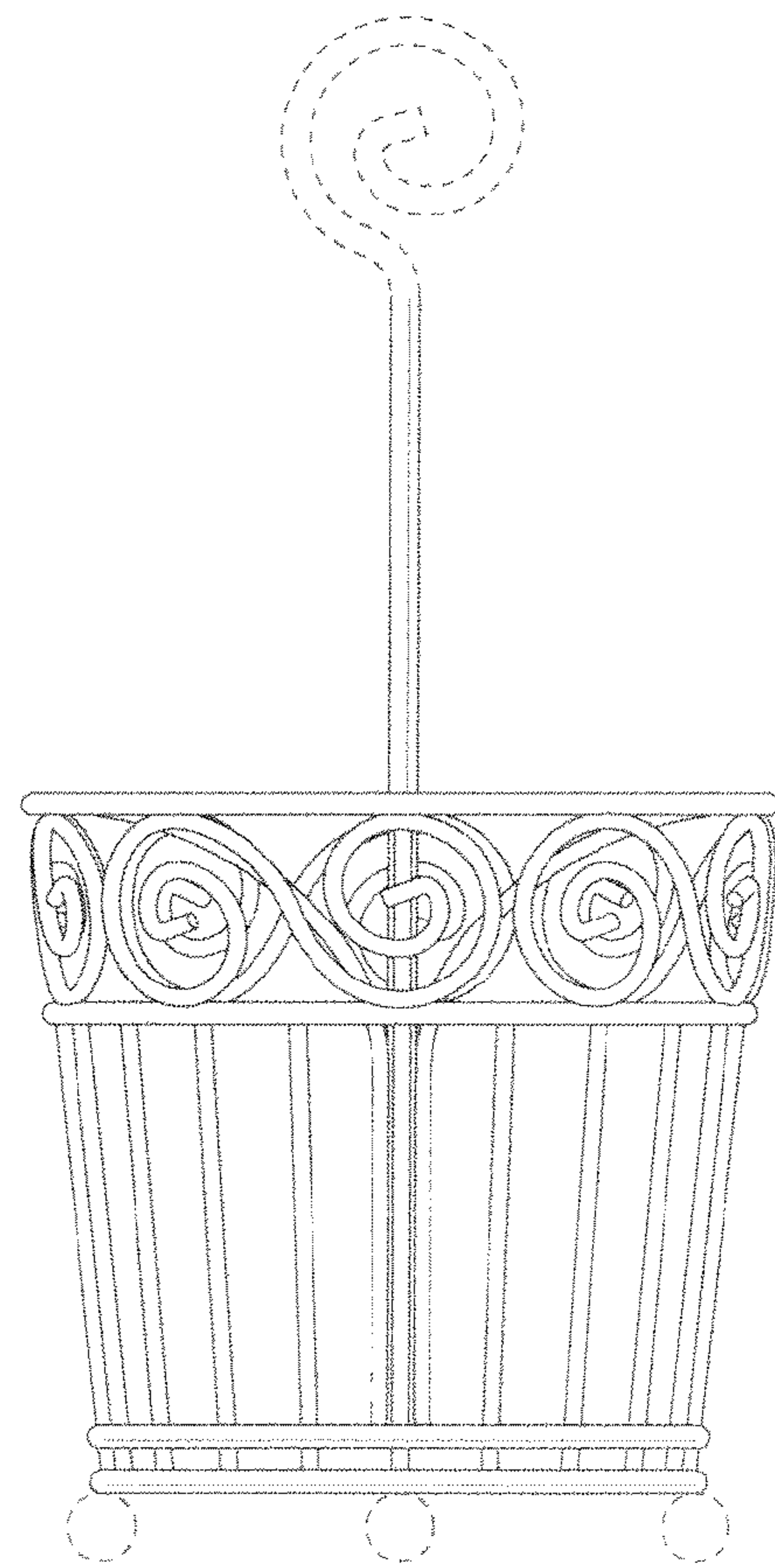


FIG. 3

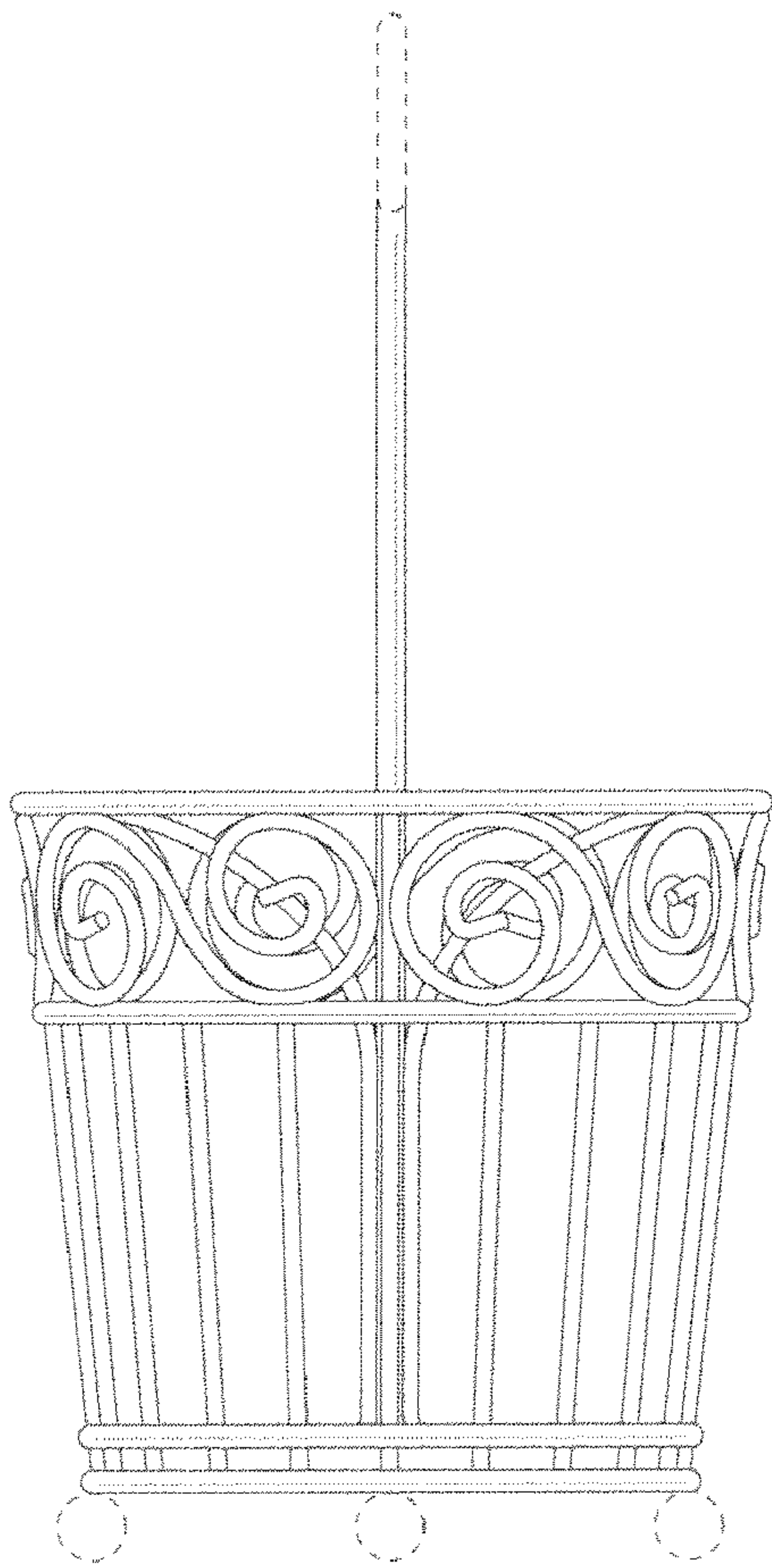


FIG. 4

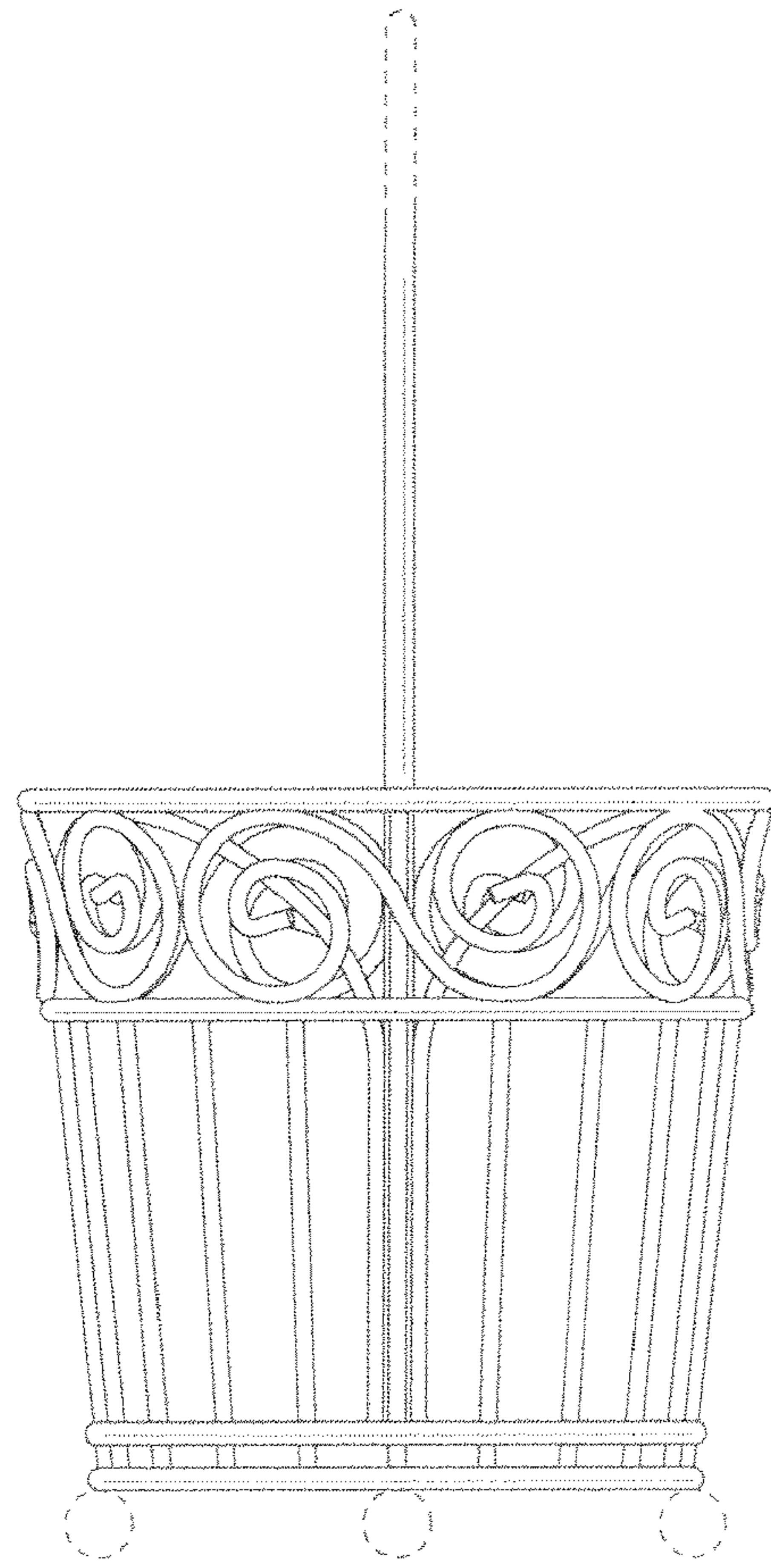


FIG. 5

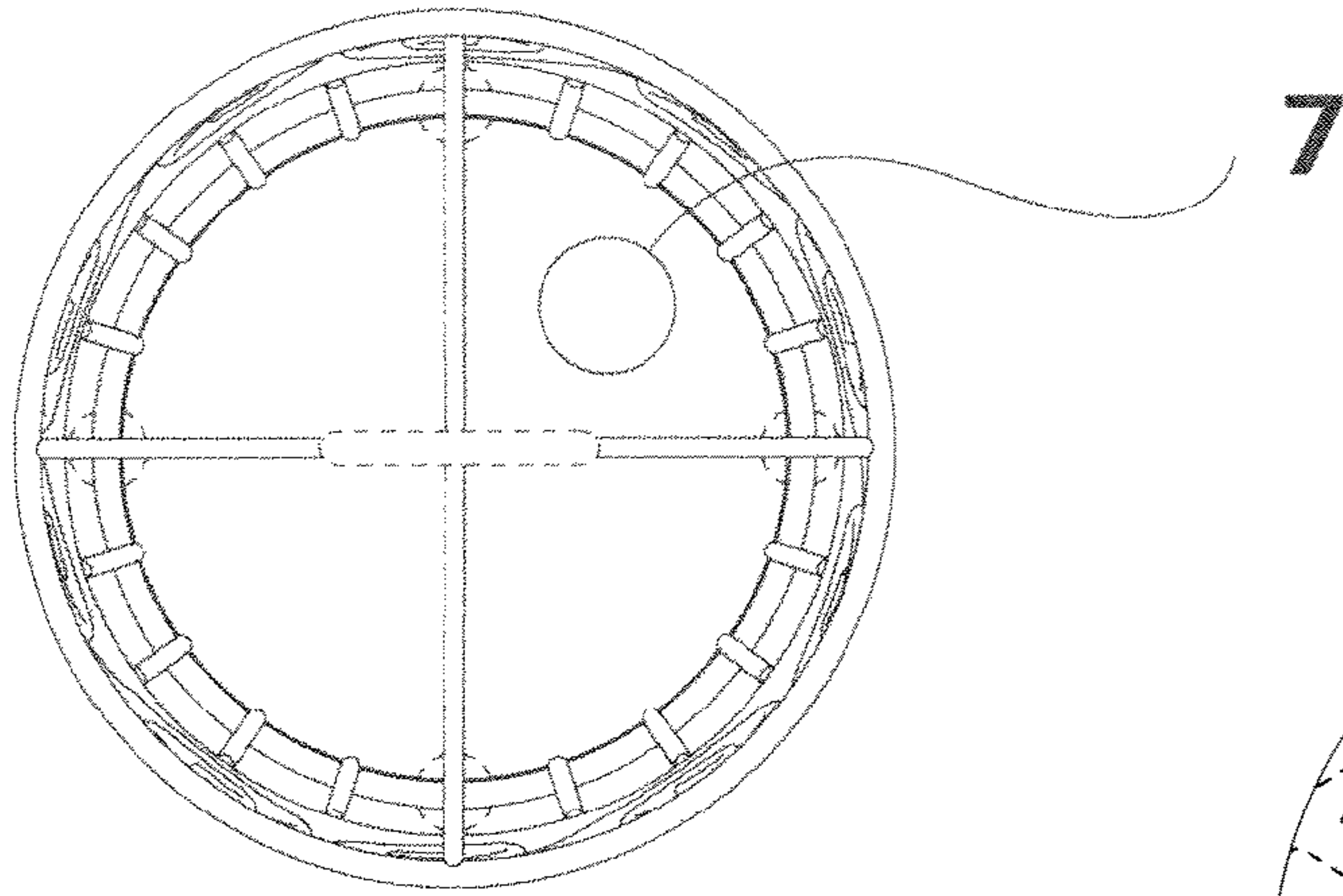


FIG. 6

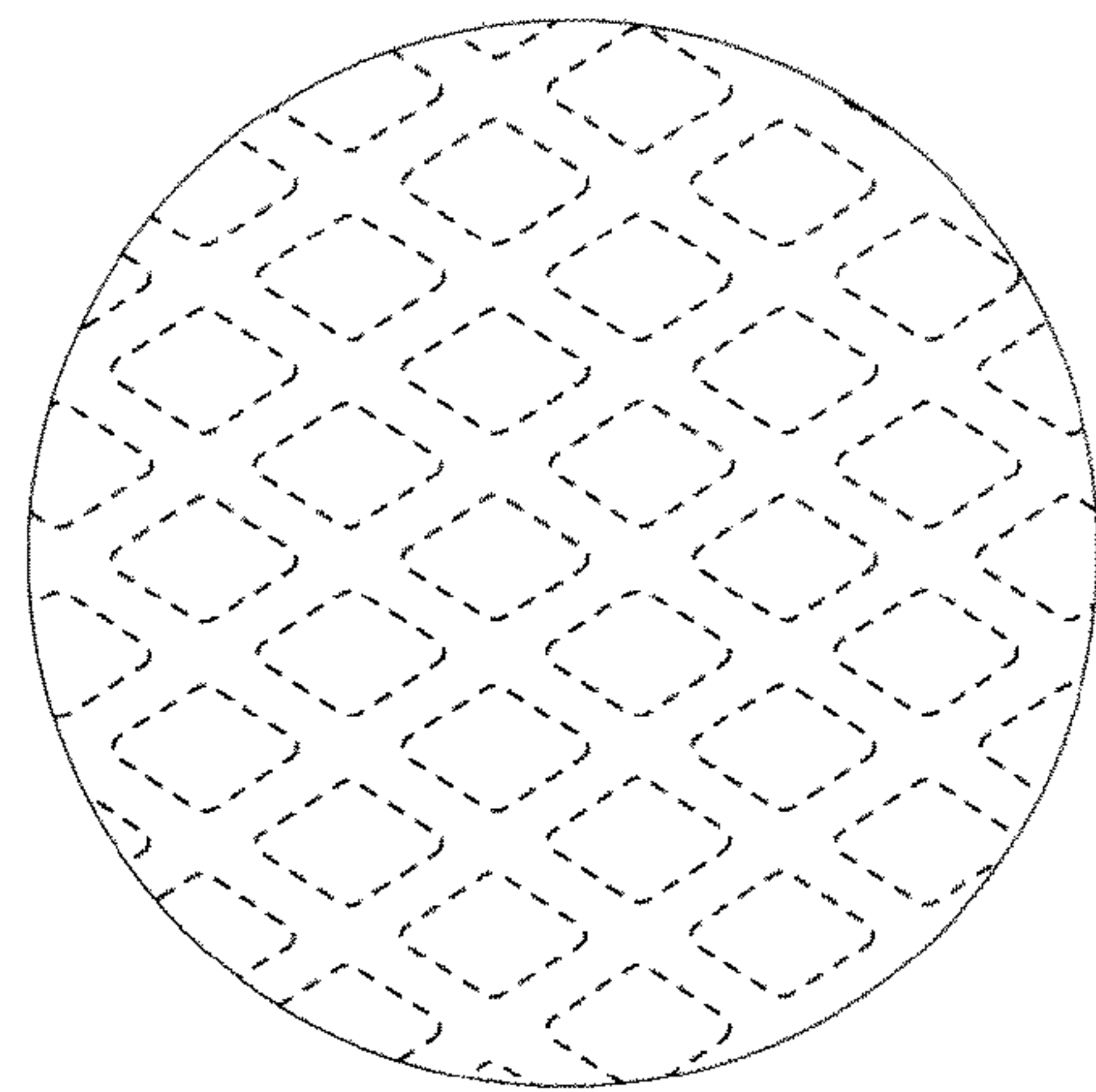


FIG. 7

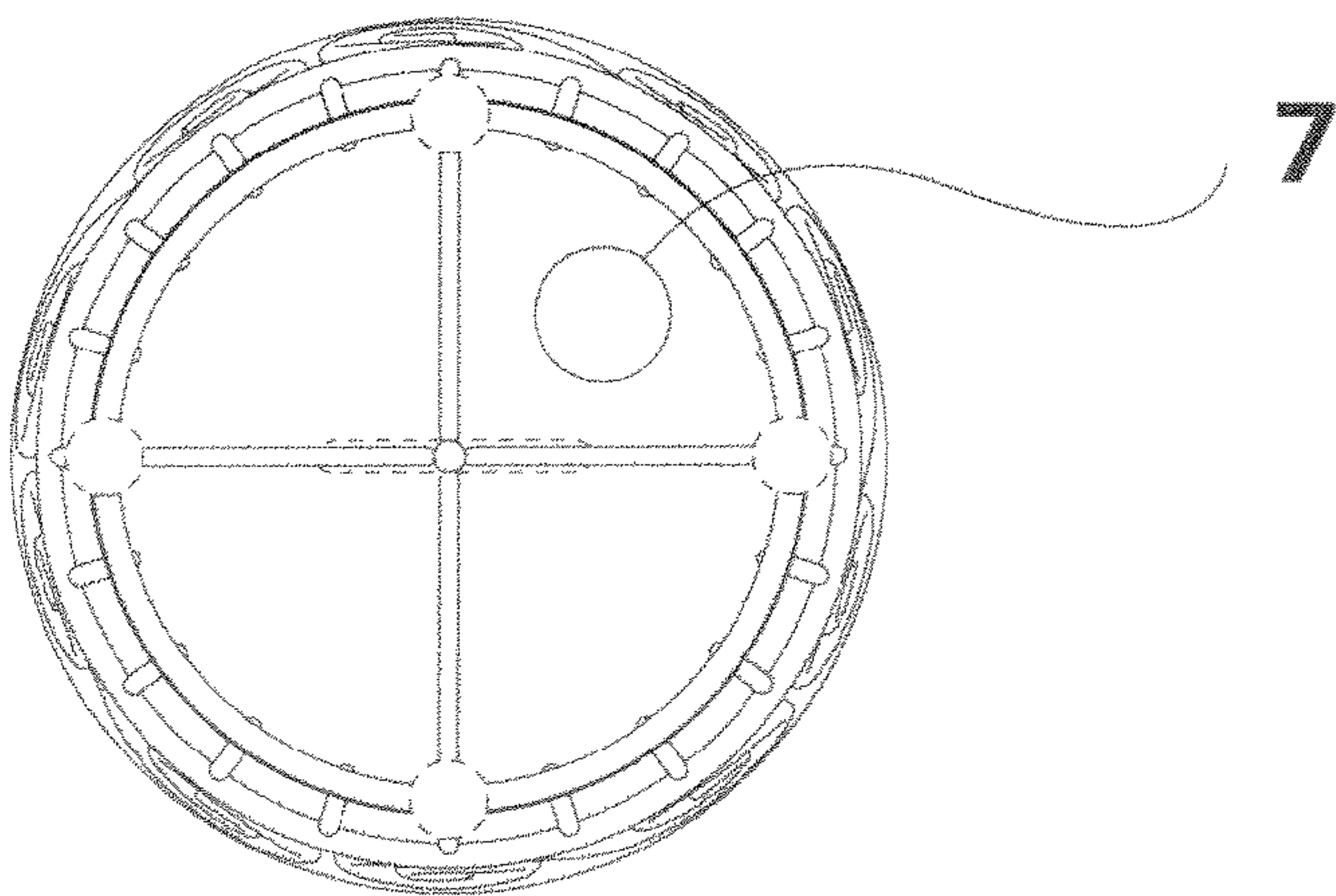


FIG. 8