



US00D652689S

(12) **United States Design Patent**
Goodman et al.

(10) **Patent No.:** **US D652,689 S**
(45) **Date of Patent:** **** Jan. 24, 2012**

(54) **SILVERWARE CADDY**

D436,626 S * 1/2001 Wang D19/85
D444,177 S * 6/2001 Carretta D19/85
D591,565 S * 5/2009 Goodman et al. D7/637

(75) Inventors: **Sheldon H. Goodman**, Solon, OH (US);
Phaysouk Xayoiphonh, Akron, OH
(US); **Grace Lee**, Mayfield, OH (US)

* cited by examiner

(73) Assignee: **Spectrum Diversified Designs, Inc.**,
Streetsboro, OH (US)

Primary Examiner — Terry Wallace

(74) *Attorney, Agent, or Firm* — Benesch Friedlander
Coplan & Aronoff LLP

(**) Term: **14 Years**

(57) **CLAIM**

What is claimed is the ornamental design for a silverware
caddy, as shown and described.

(21) Appl. No.: **29/393,917**

(22) Filed: **Jun. 10, 2011**

DESCRIPTION

(51) **LOC (9) Cl.** **07-06**

(52) **U.S. Cl.** **D7/637**

(58) **Field of Classification Search** D7/637–641,
D7/701–708, 619.1; D19/77, 65, 75, 85;
D6/457, 476; 211/69.1–69.9, 70.6, 70.7,
211/71.01, 41.2, 41.3, 41.7, 181.1, 60.1;
248/176.1, 37.3; D32/55

FIG. 1 is a perspective view of a silverware caddy showing a
new design;

FIG. 2 is a front/rear view of the silverware caddy of FIG. 1;

FIG. 3 is a side view of the silverware caddy of FIG. 1;

FIG. 4 is a top view of the silverware caddy of FIG. 1;

FIG. 5 is an exploded view of the unclaimed bottom surface of
the silverware caddy of FIG. 1; and,

FIG. 6 is a bottom view of the silverware caddy of FIG. 1.

The components of the display shown in broken lines illus-
trate portions of the silverware caddy which form no part of
the claimed design. Further, the vertical and diagonal broken
lines are not meant to be indicative of any specified colors.

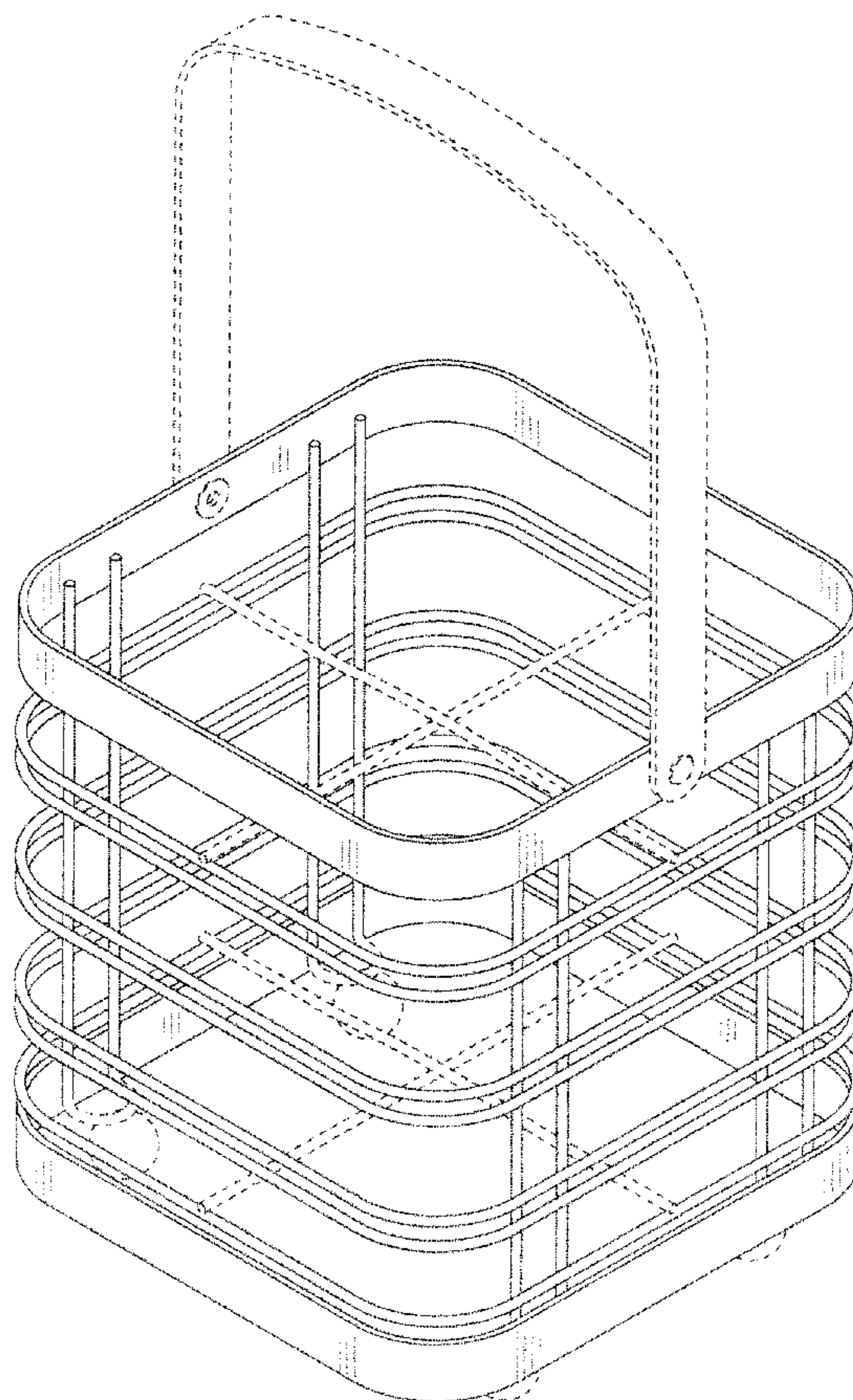
See application file for complete search history.

(56) **References Cited**

U.S. PATENT DOCUMENTS

4,836,392 A * 6/1989 Constantino 211/181.1
D433,287 S * 11/2000 Goodman et al. D7/640

1 Claim, 3 Drawing Sheets



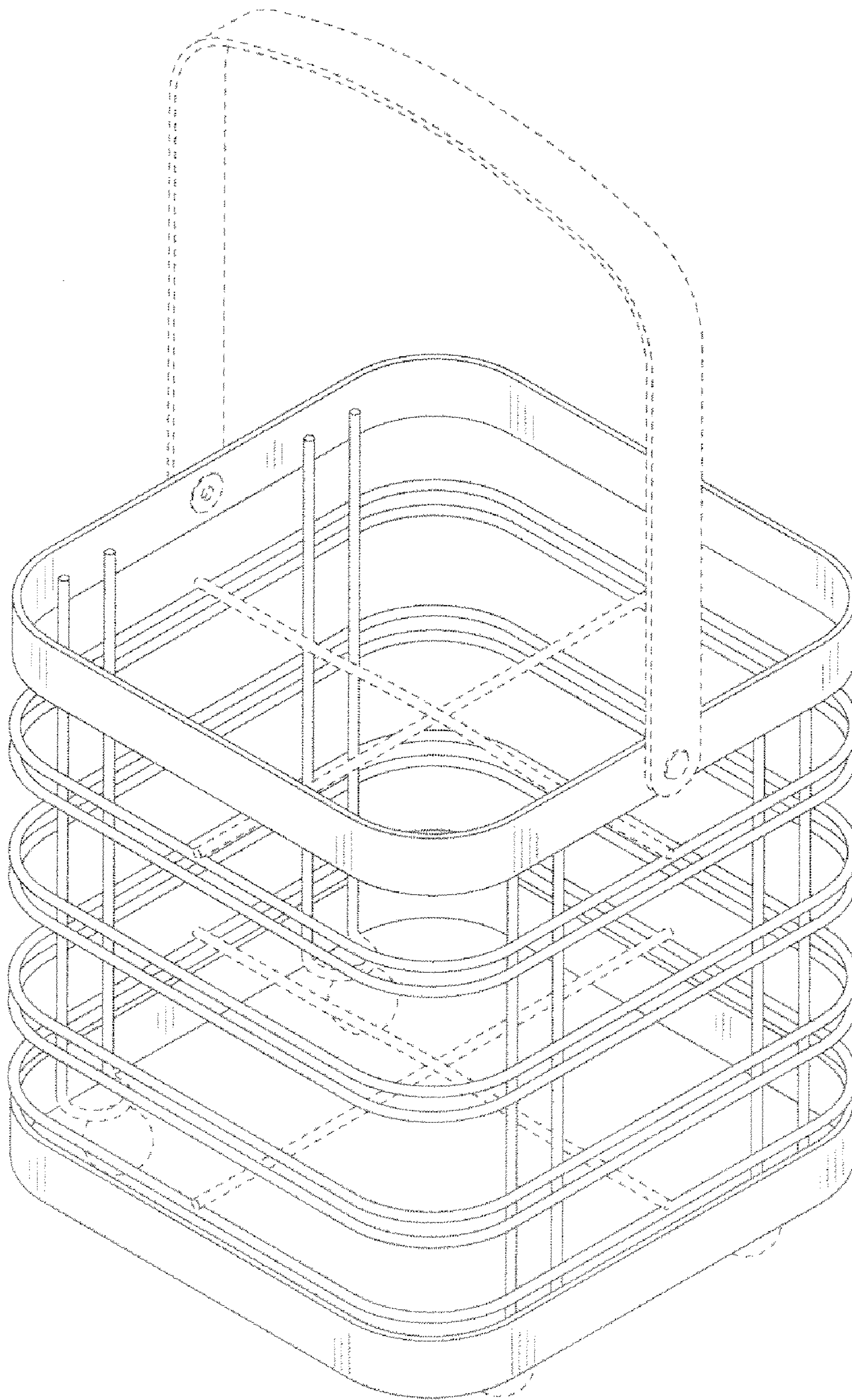


FIG. 1

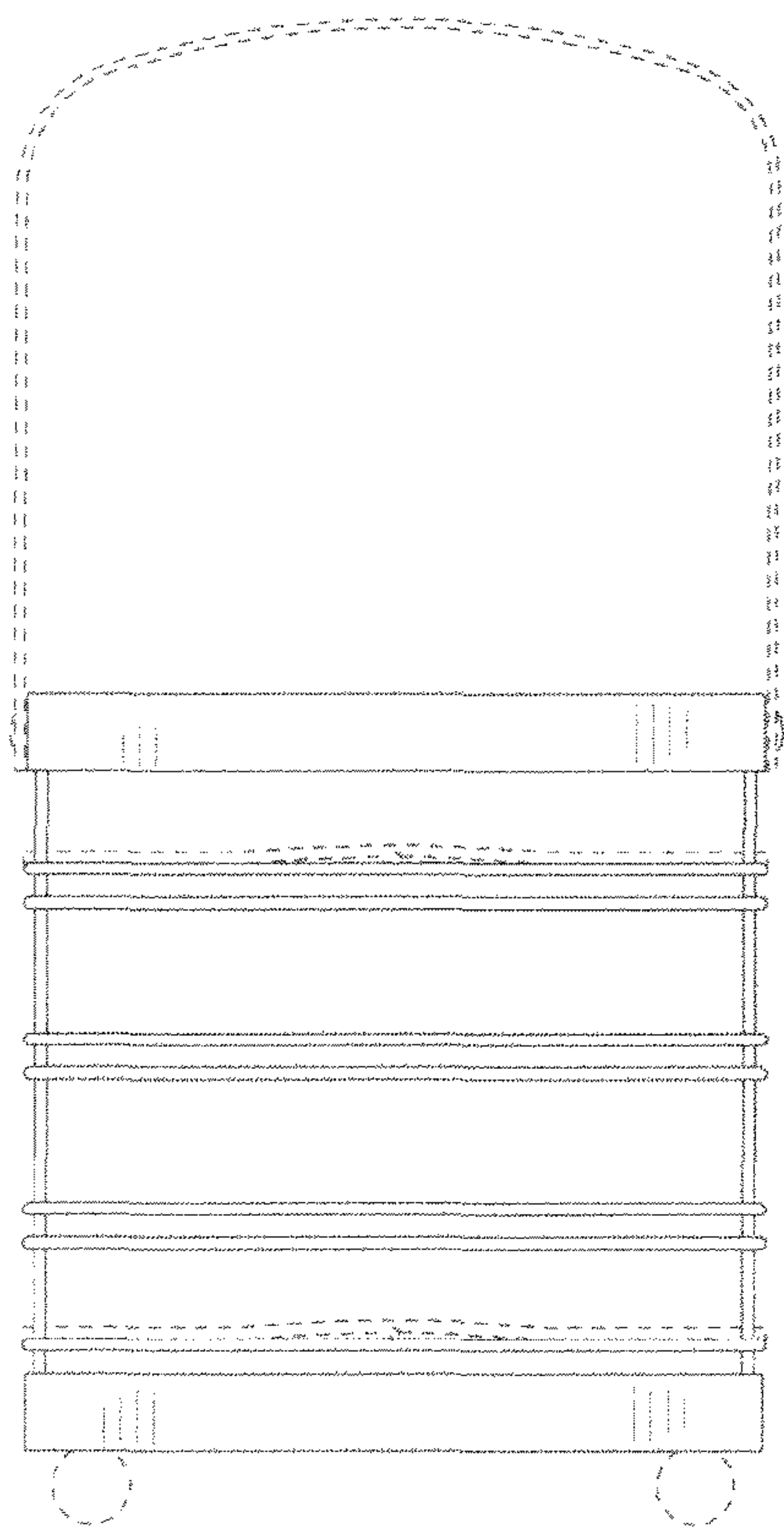


FIG. 2

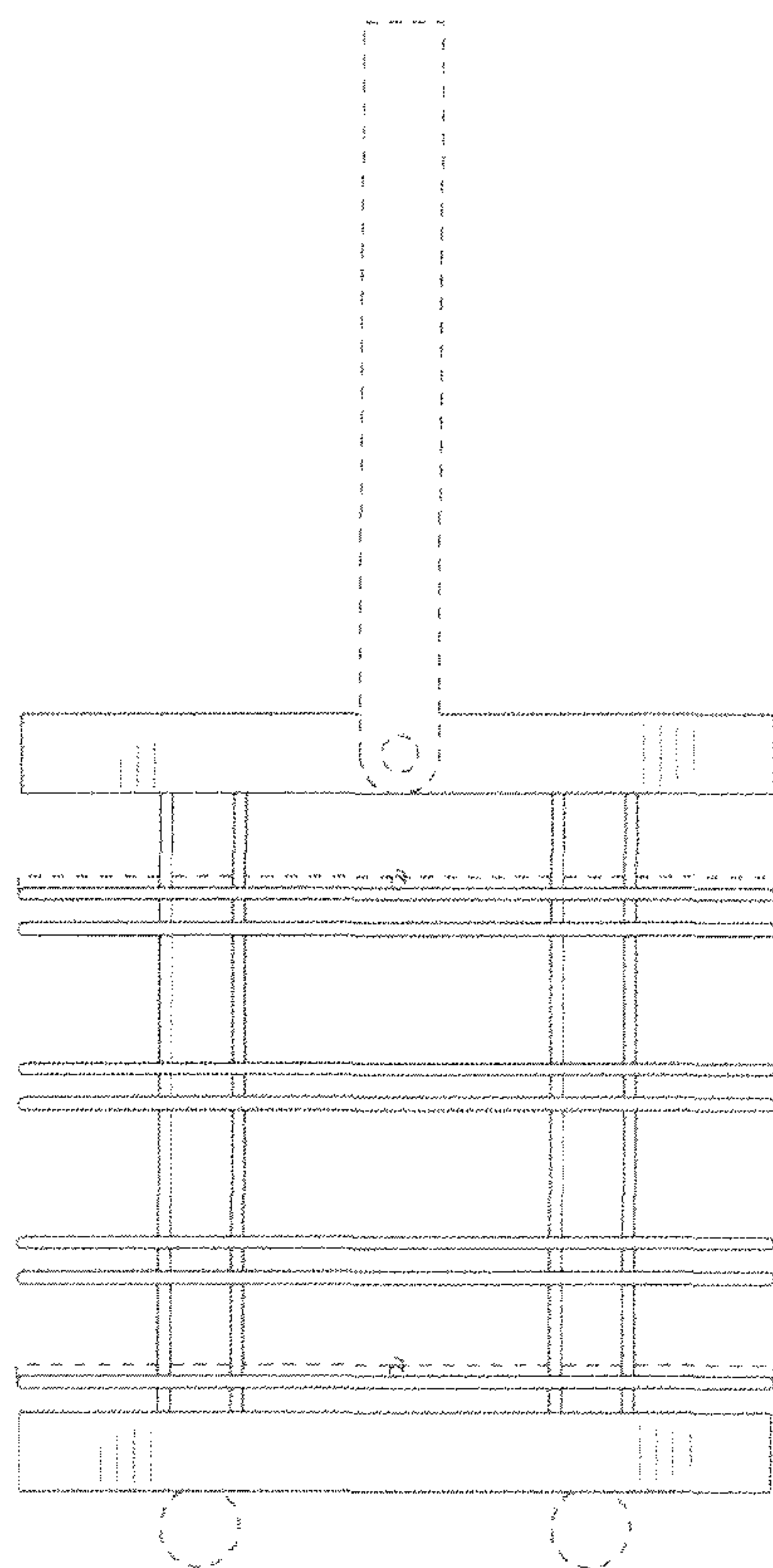


FIG. 3

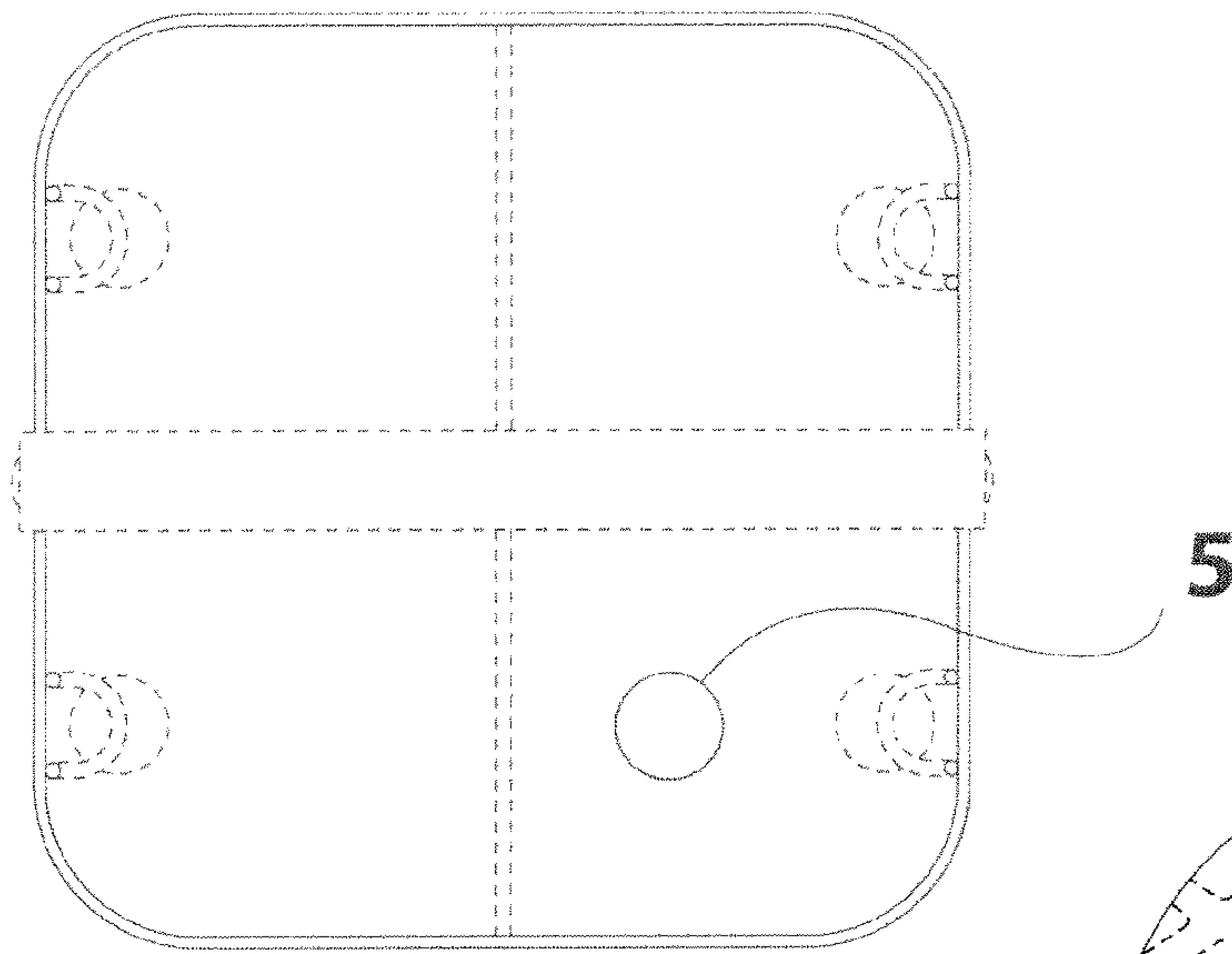


FIG. 4

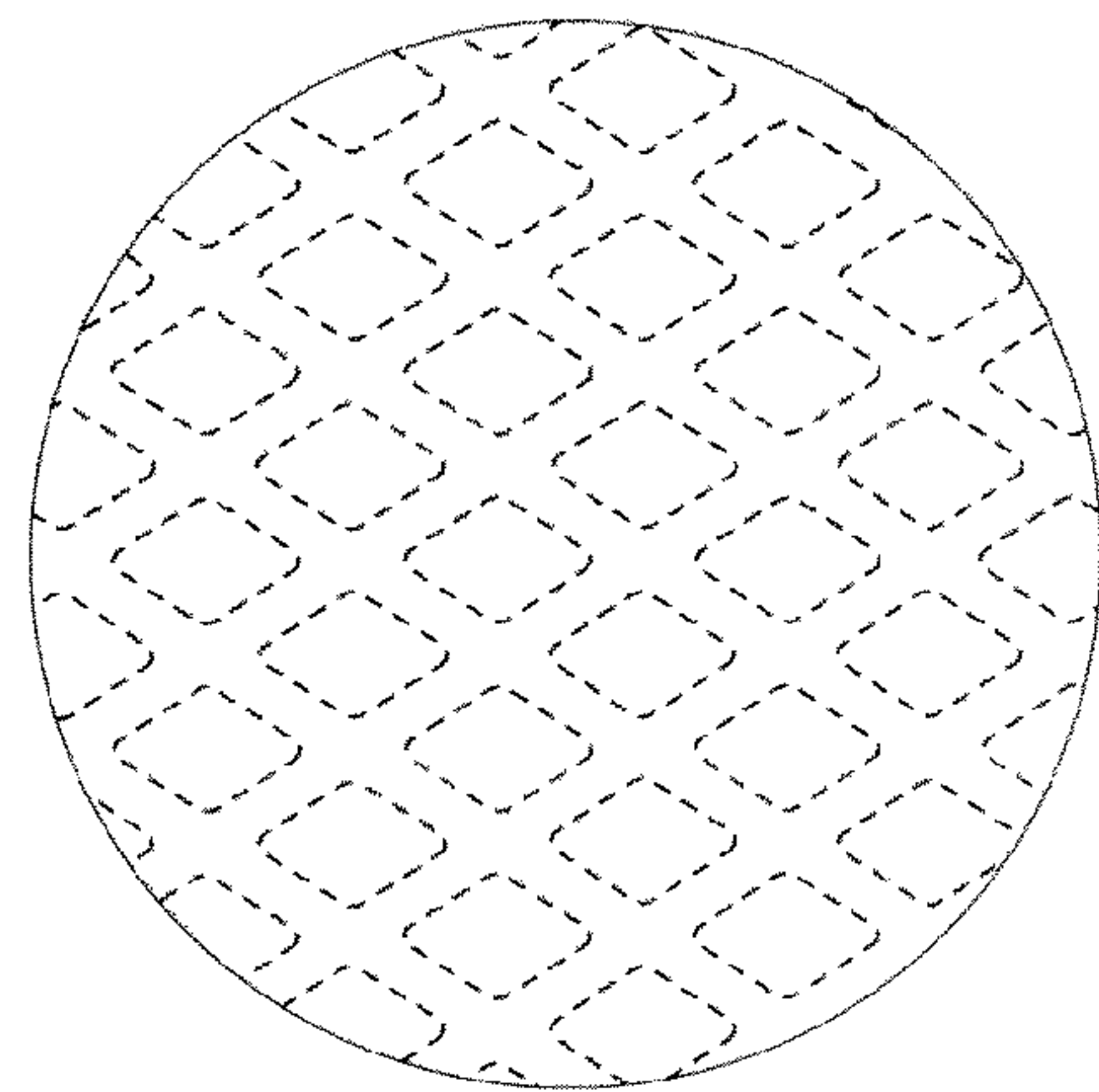


FIG. 5

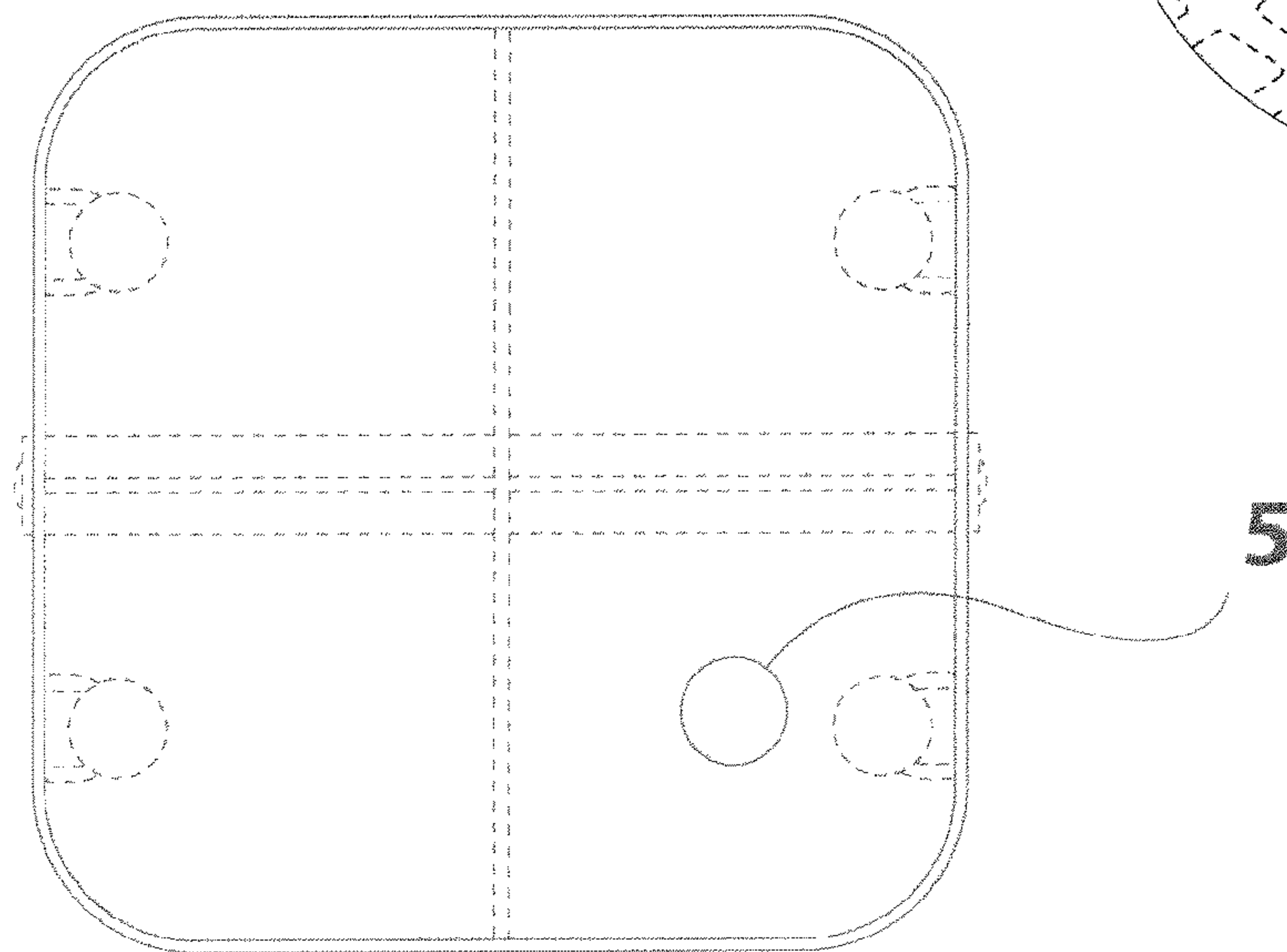


FIG. 6