

US00D652687S

(12) **United States Design Patent**
Ablo

(10) **Patent No.:** **US D652,687 S**
(45) **Date of Patent:** **** Jan. 24, 2012**

(54) **COVERED CONTAINER**

(75) Inventor: **Famia E. Ablo**, Accra (GH)

(73) Assignee: **Dart Industries Inc.**, Orlando, FL (US)

(**) Term: **14 Years**

(21) Appl. No.: **29/372,526**

(22) Filed: **Dec. 3, 2010**

(51) **LOC (9) Cl.** **07-07**

(52) **U.S. Cl.** **D7/629**

(58) **Field of Classification Search** D7/602,
D7/628-630, 538-543, 612-615; D9/424-432,
D9/643-646; 220/780-802, 675, 574-575,
220/326, 256.1

See application file for complete search history.

(56) **References Cited**

U.S. PATENT DOCUMENTS

- 3,679,088 A 7/1972 Swett et al.
- D228,602 S 10/1973 Swett et al.
- D229,654 S 12/1973 Croyle et al.
- D309,105 S 7/1990 Fisher et al.
- D347,969 S * 6/1994 Cousins et al. D7/548

- D413,489 S 9/1999 Miller
- D449,494 S * 10/2001 Cousins D7/629
- D475,581 S * 6/2003 Lillelund et al. D7/629
- D476,861 S * 7/2003 Zettle et al. D7/629

* cited by examiner

Primary Examiner — Terry Wallace

(74) *Attorney, Agent, or Firm* — John A. Doninger

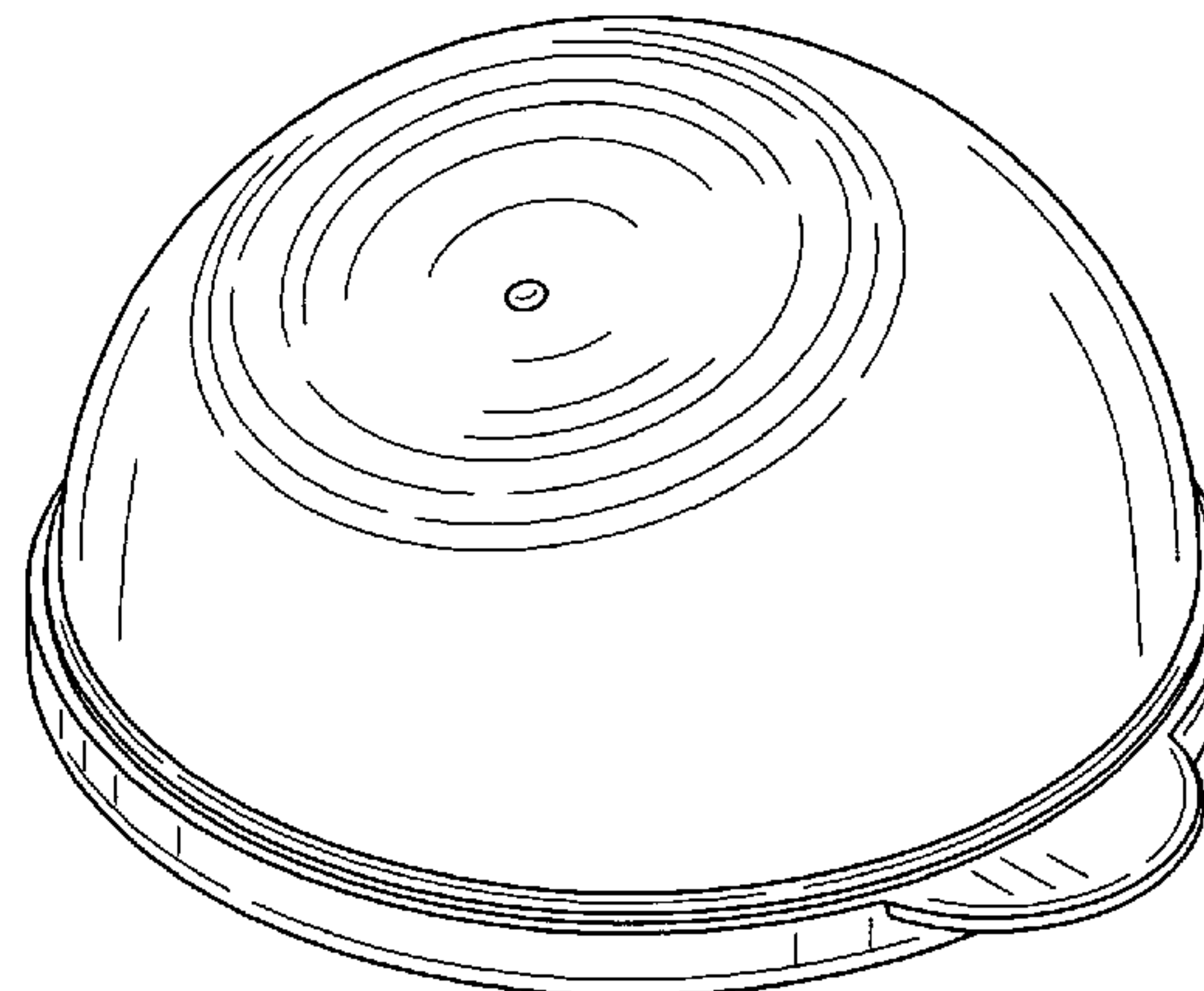
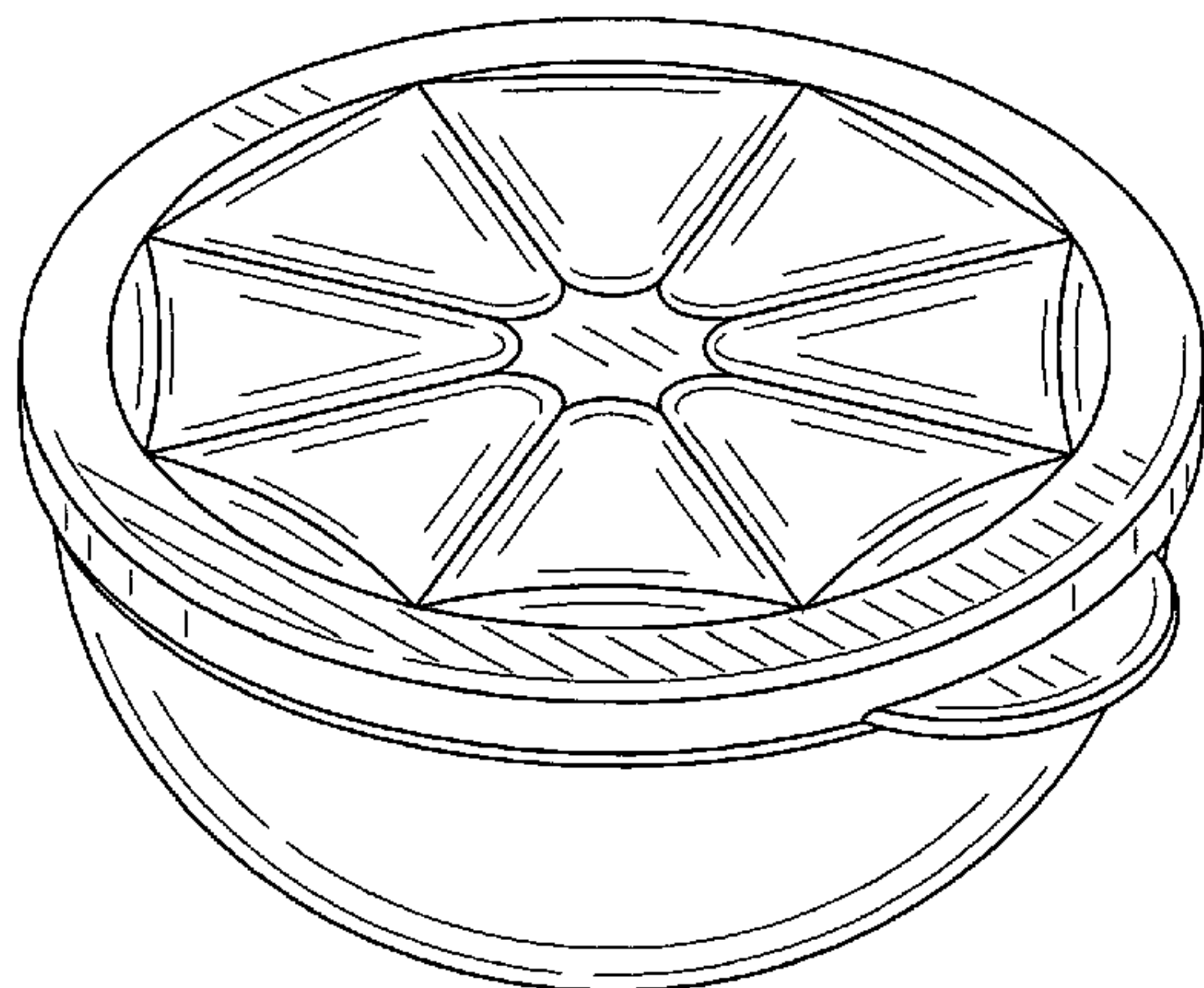
(57) **CLAIM**

The ornamental design for a covered container, as shown and described.

DESCRIPTION

FIG. 1 is a top, side and front perspective view of a covered container showing my new design;
 FIG. 2 is a bottom, side and rear perspective view thereof;
 FIG. 3 is a top plan view thereof;
 FIG. 4 is a bottom plan view thereof;
 FIG. 5 is a front elevation view, the rear elevation being a mirror image thereof;
 FIG. 6 is a bottom plan view thereof;
 FIG. 7 is right side elevation view thereof; and,
 FIG. 8 is a left side elevation view thereof.

1 Claim, 3 Drawing Sheets



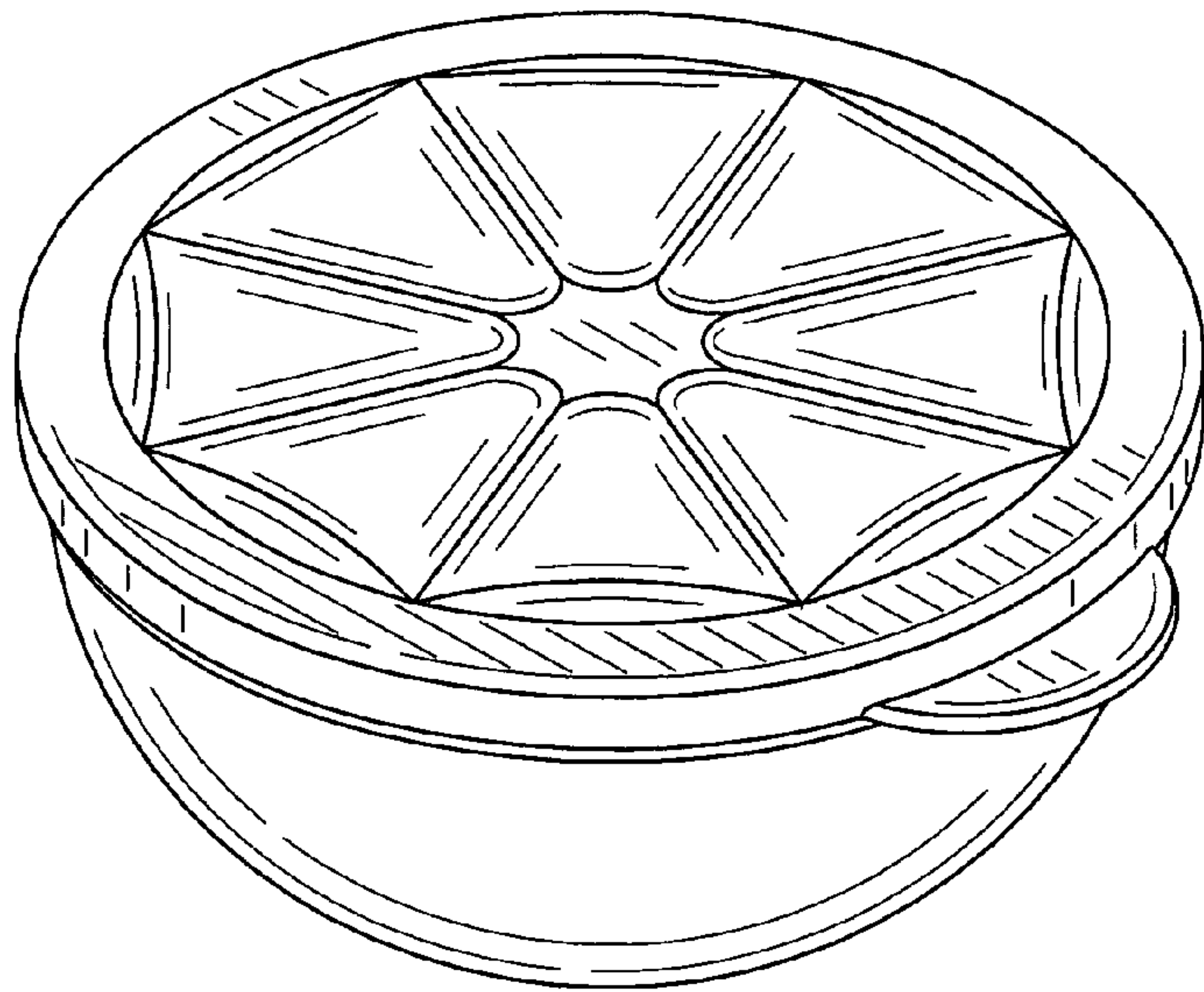


FIG. 1

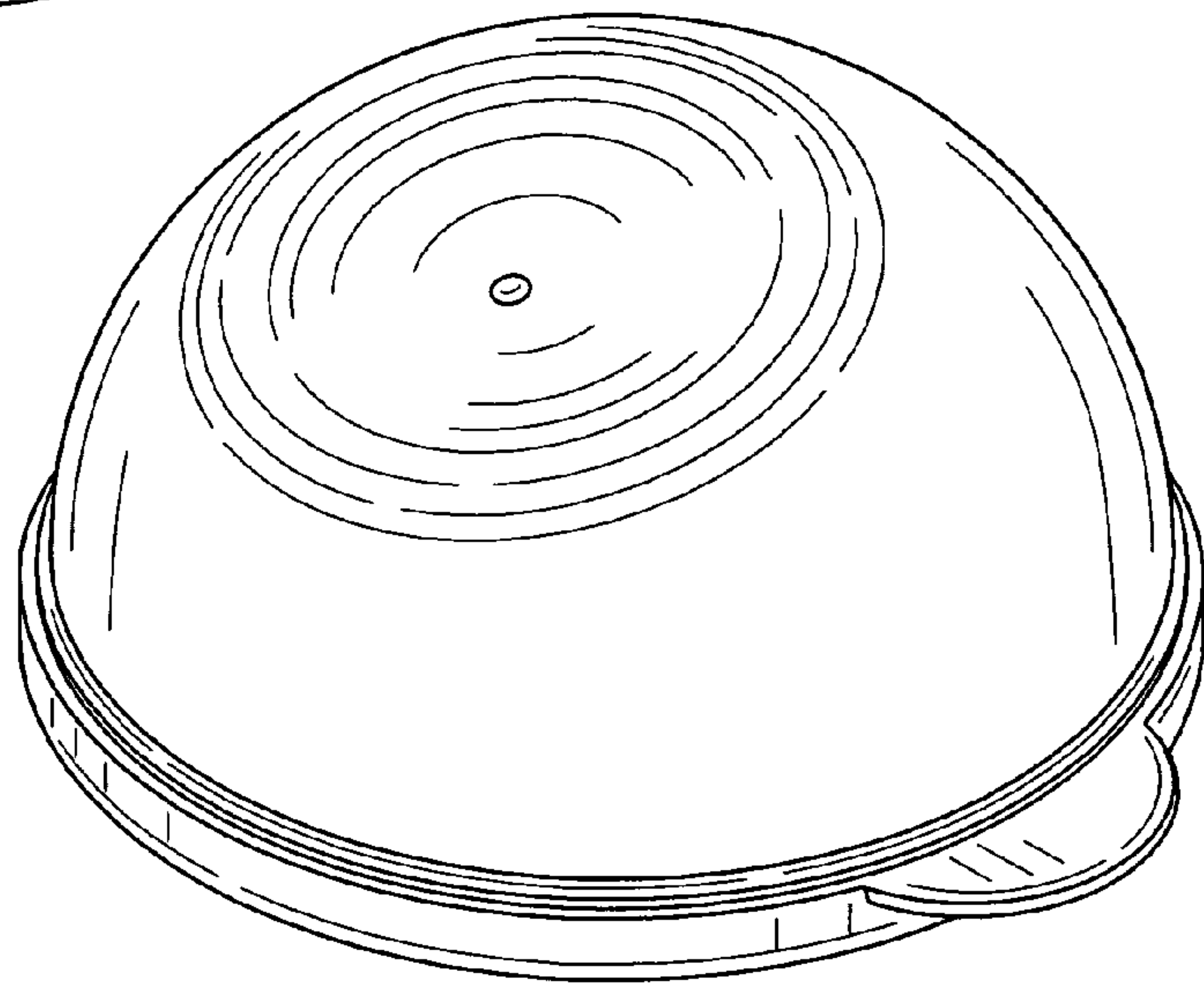


FIG. 2

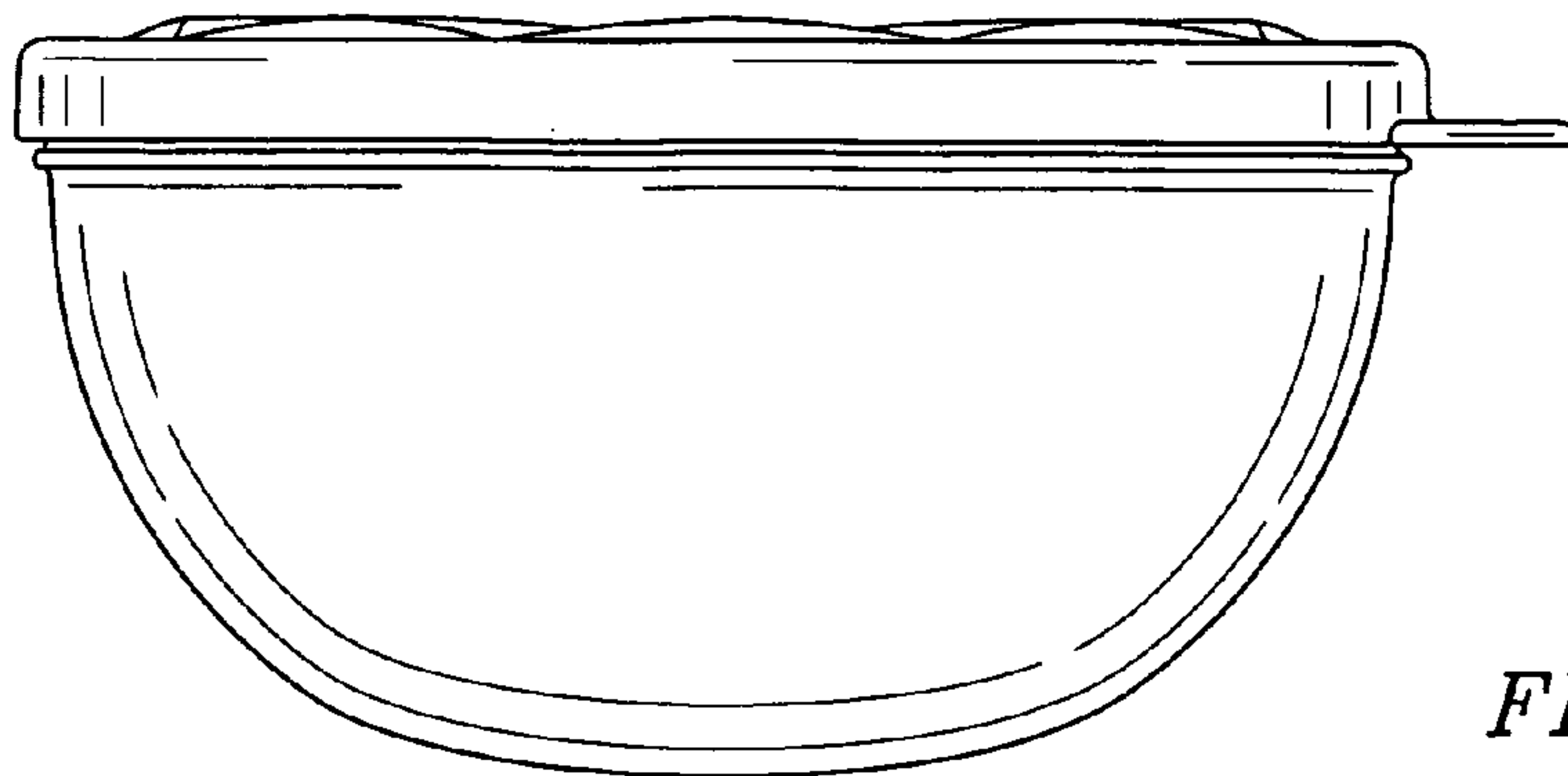


FIG. 5

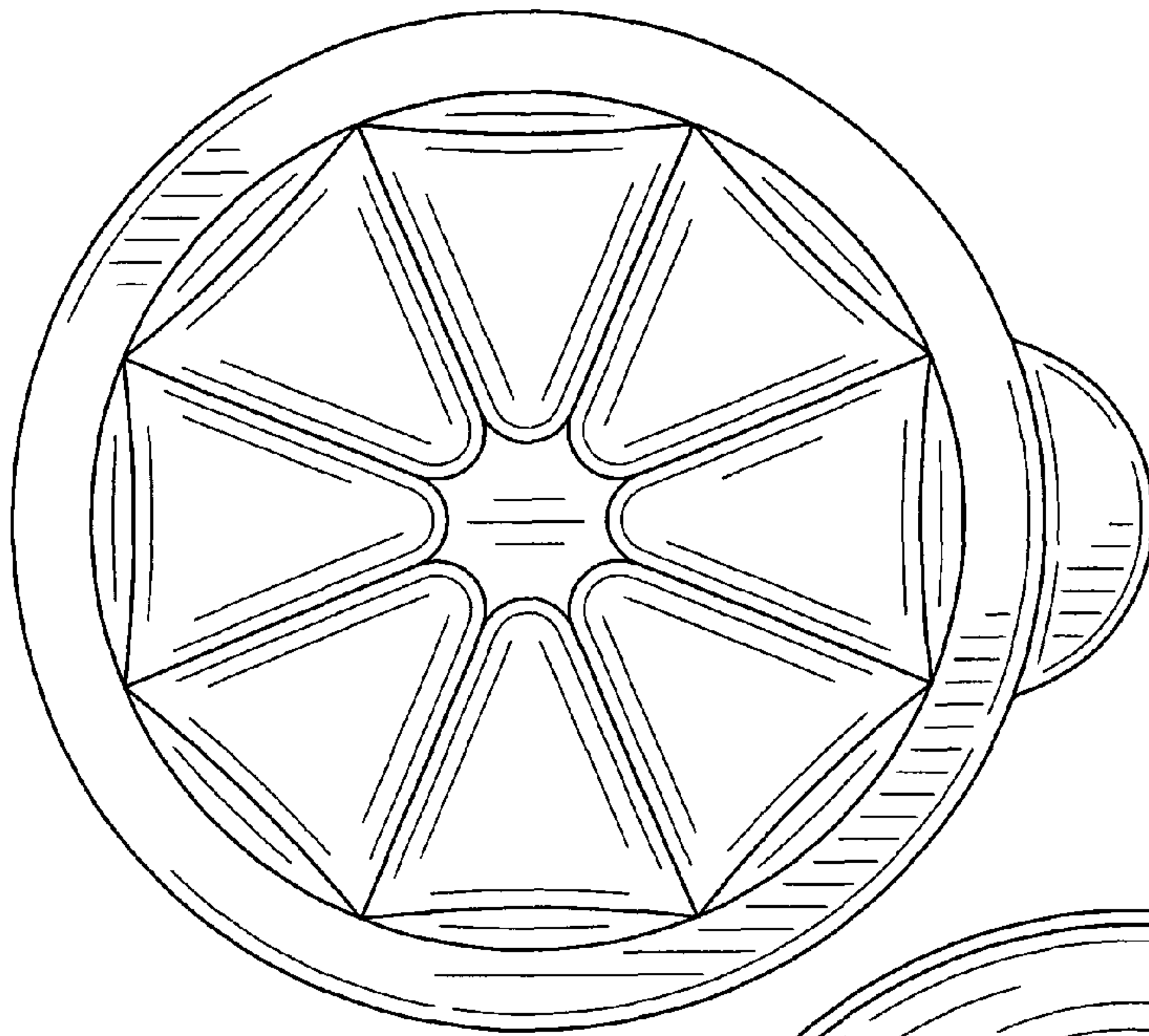


FIG. 3

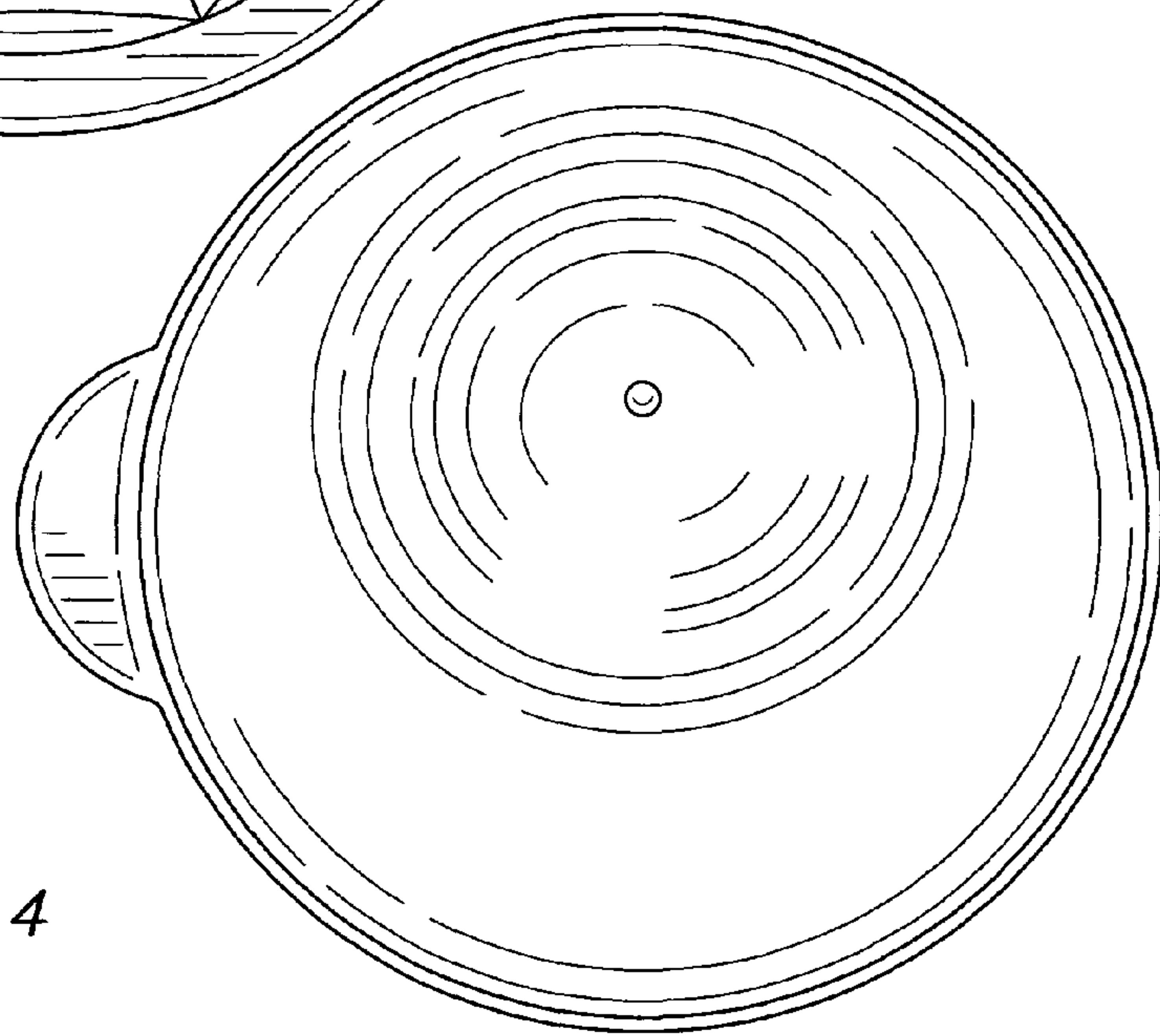


FIG. 4

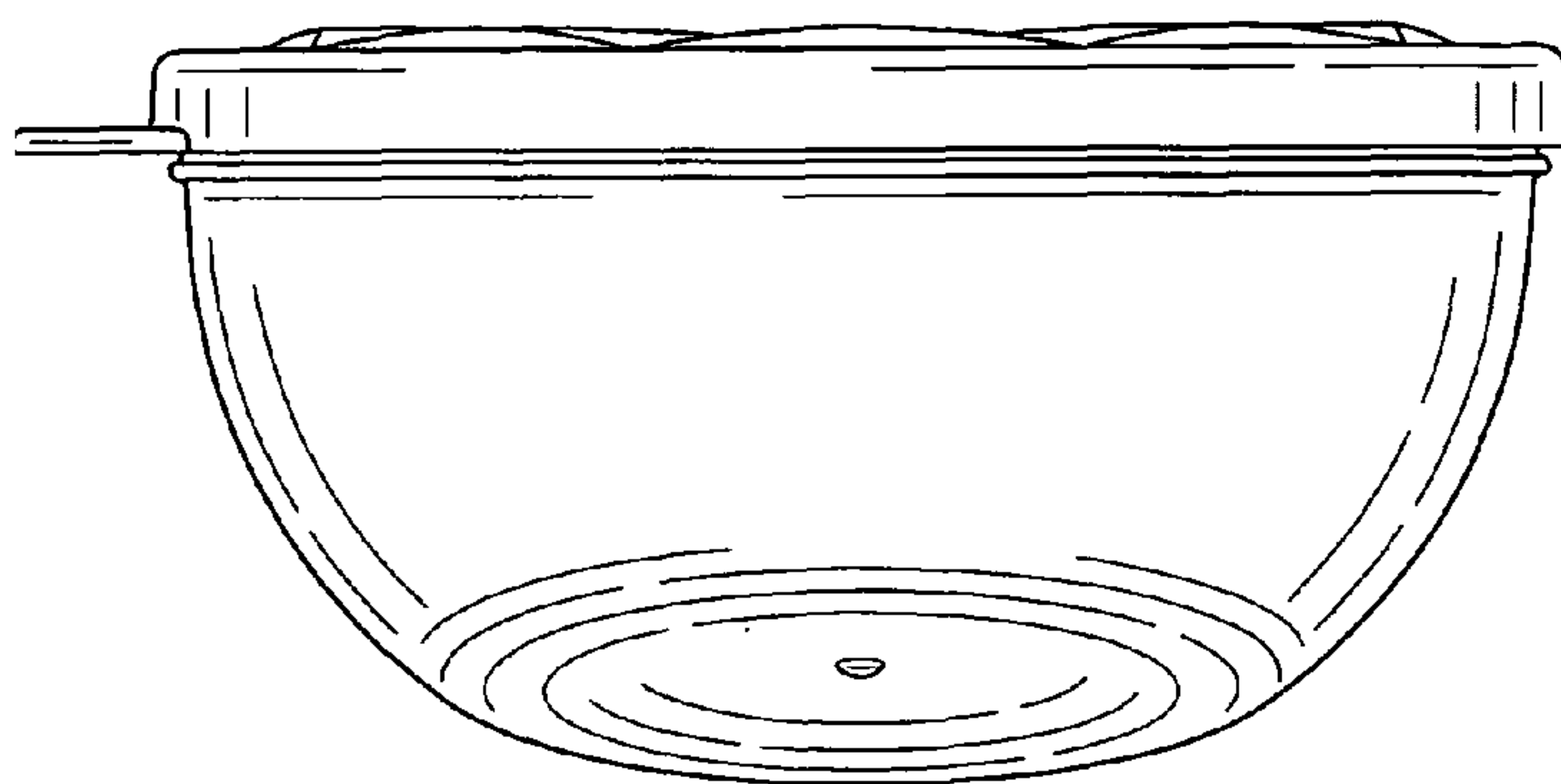


FIG. 6

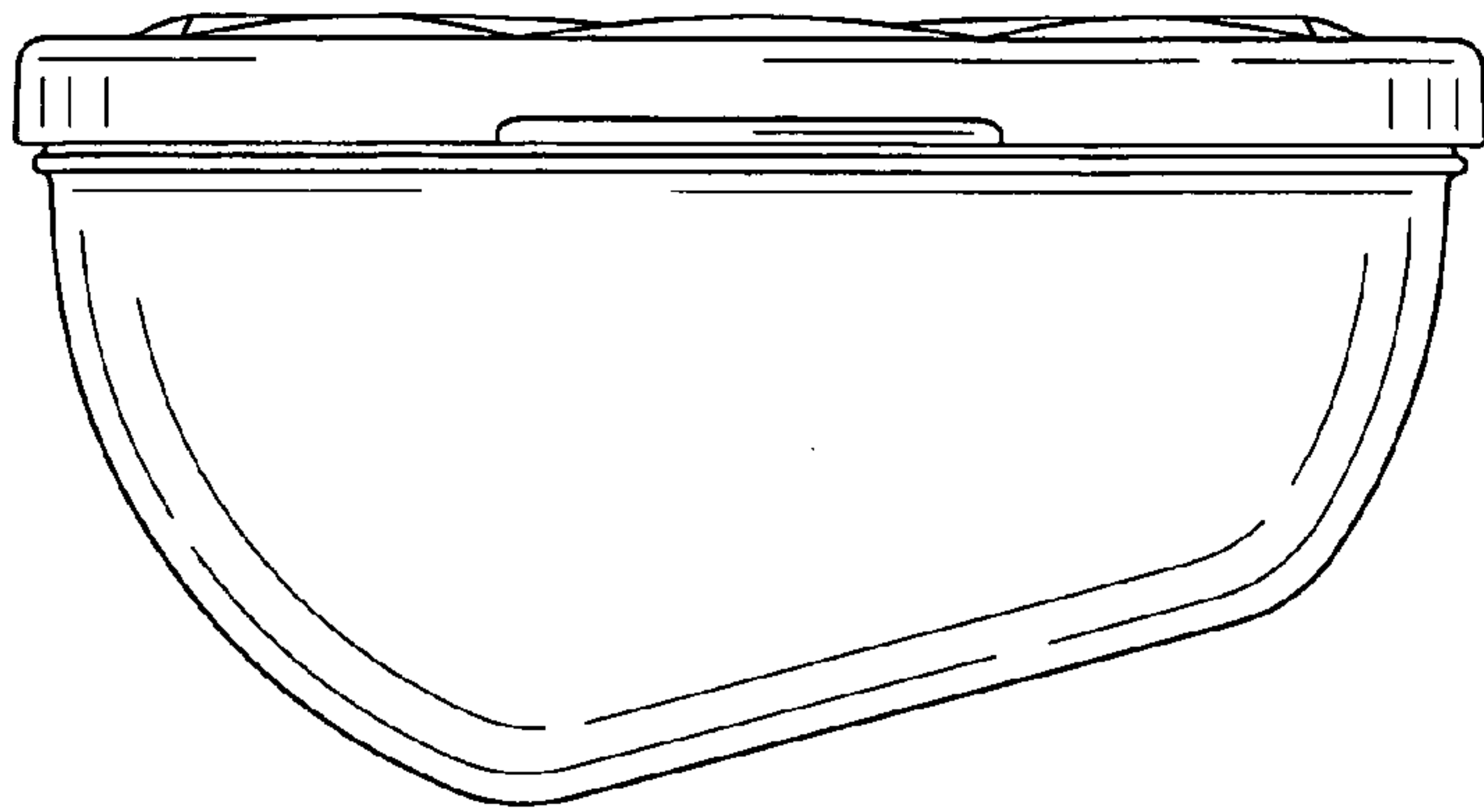


FIG. 7

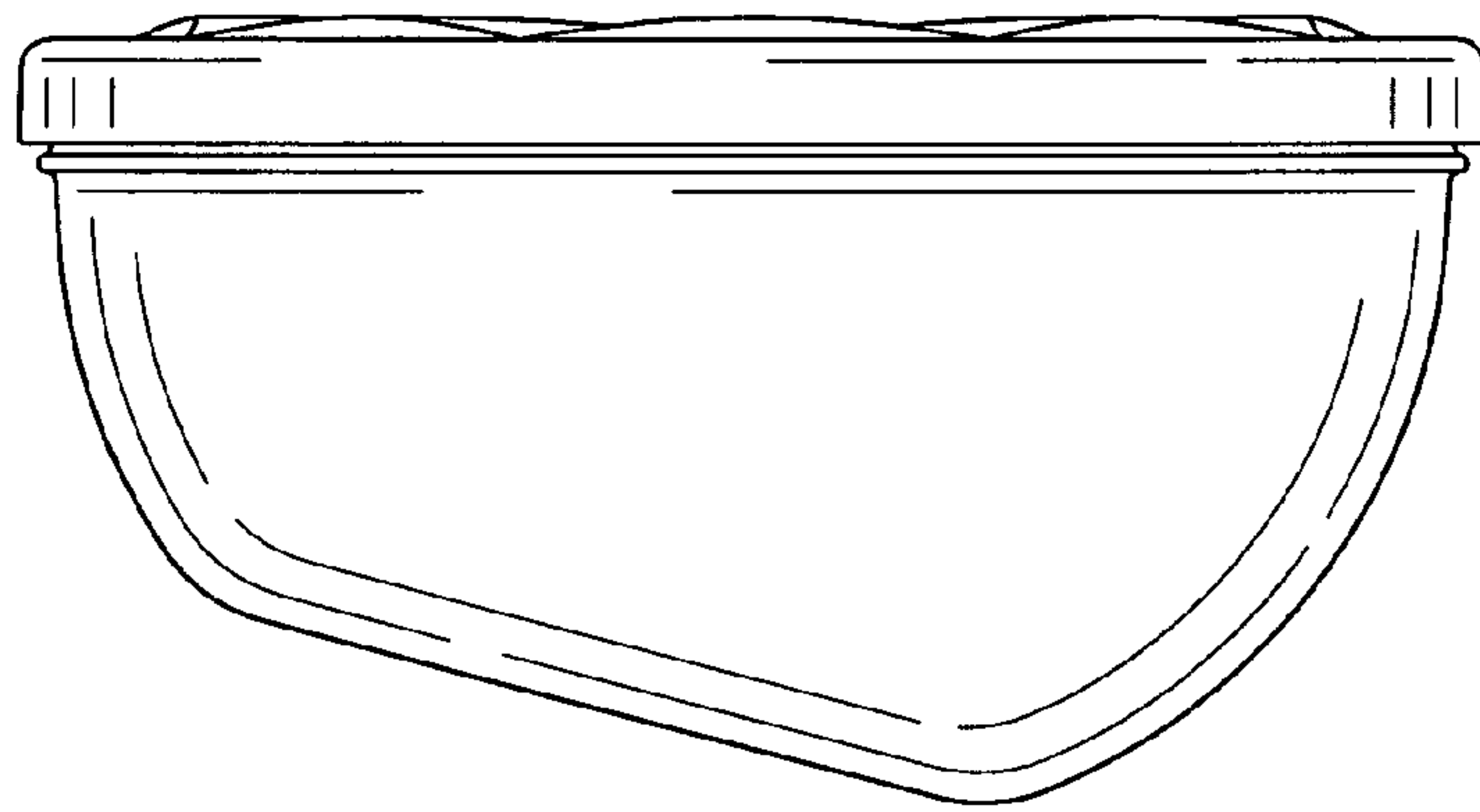


FIG. 8