



US00D652682S

(12) **United States Design Patent**
Eyal

(10) **Patent No.:** **US D652,682 S**
(45) **Date of Patent:** **** Jan. 24, 2012**

(54) **BEVERAGE CONTAINER**
(75) Inventor: **Sharon Eyal**, Oxnard, CA (US)
(73) Assignee: **ETS Express, Inc.**, Oxnard, CA (US)
(**) Term: **14 Years**
(21) Appl. No.: **29/390,912**
(22) Filed: **Apr. 29, 2011**
(51) **LOC (9) Cl.** **07-01**
(52) **U.S. Cl.** **D7/510; D7/511; D7/608**
(58) **Field of Classification Search** D7/510,
D7/511, 500, 532, 900, 507; 215/121, 382,
215/388, 387; 220/674, 715, 713, 718, 592.16,
220/592.17, 709, 708; D9/529, 500, 539
See application file for complete search history.

D497,778 S * 11/2004 Rich D7/608
D500,231 S * 12/2004 Ward et al. D7/608
D569,195 S * 5/2008 Kim D7/608
D627,604 S * 11/2010 Eyal D7/510
D629,689 S * 12/2010 Cresswell et al. D9/500
D639,166 S * 6/2011 Carreno D9/504
2010/0163439 A1 * 7/2010 Gutierrez Avendano 206/219
* cited by examiner

Primary Examiner — Cynthia Underwood
(74) *Attorney, Agent, or Firm* — Kleinberg & Lerner, LLP;
Marvin H. Kleinberg

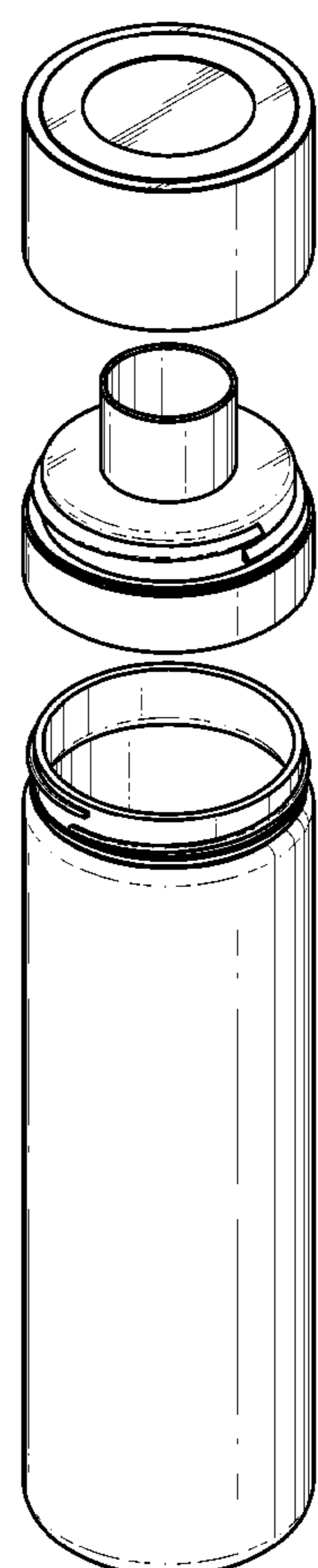
(57) **CLAIM**
The ornamental design for a beverage container, as shown and described.

DESCRIPTION

FIG. 1 is a perspective view of a beverage container showing my new design;
FIG. 2 is a front view thereof, with all sides being the same.
FIG. 3 is a top view of the beverage container of FIG. 1;
FIG. 4 is a bottom view thereof; and,
FIG. 5 is an exploded perspective view thereof.
The broken lines represent portions of the structure that forms no part of the claim.

(56) **References Cited**
U.S. PATENT DOCUMENTS
2,162,853 A * 6/1939 Massey 229/5.5
D278,121 S * 3/1985 Sussman D9/504
D286,604 S * 11/1986 Bierlein et al. D7/523
D287,211 S * 12/1986 Weiss D7/608
D324,281 S * 2/1992 Brusing D34/1
5,186,350 A * 2/1993 McBride 220/739

1 Claim, 4 Drawing Sheets



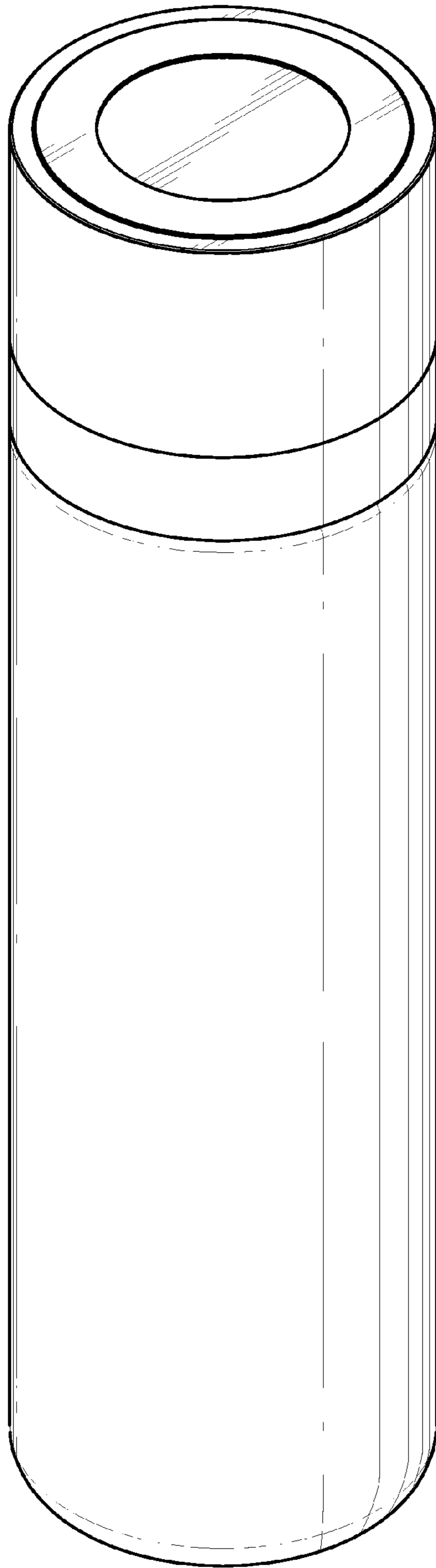


FIG. 1

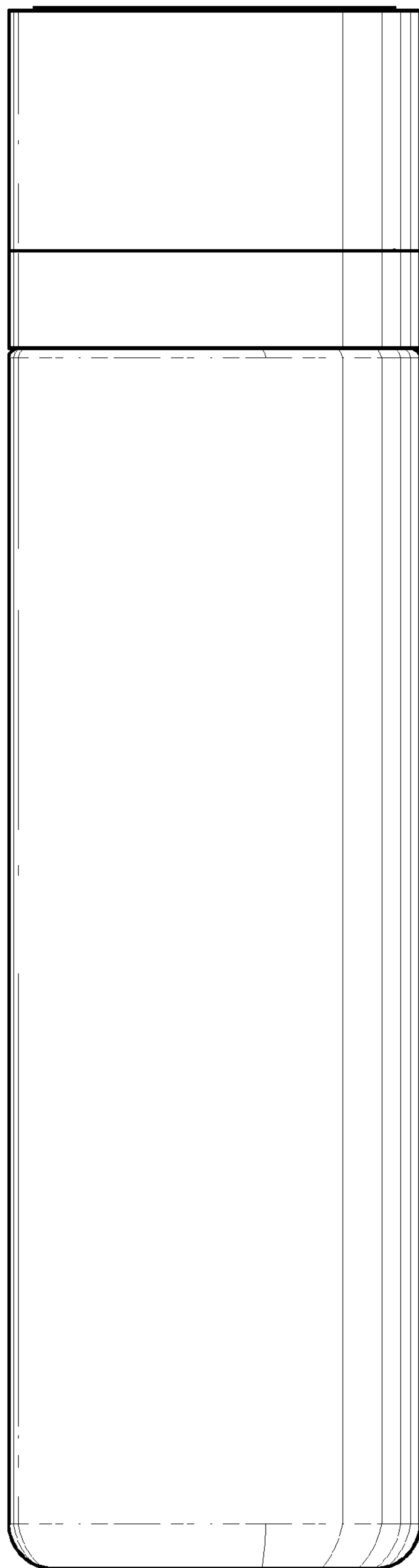


FIG. 2

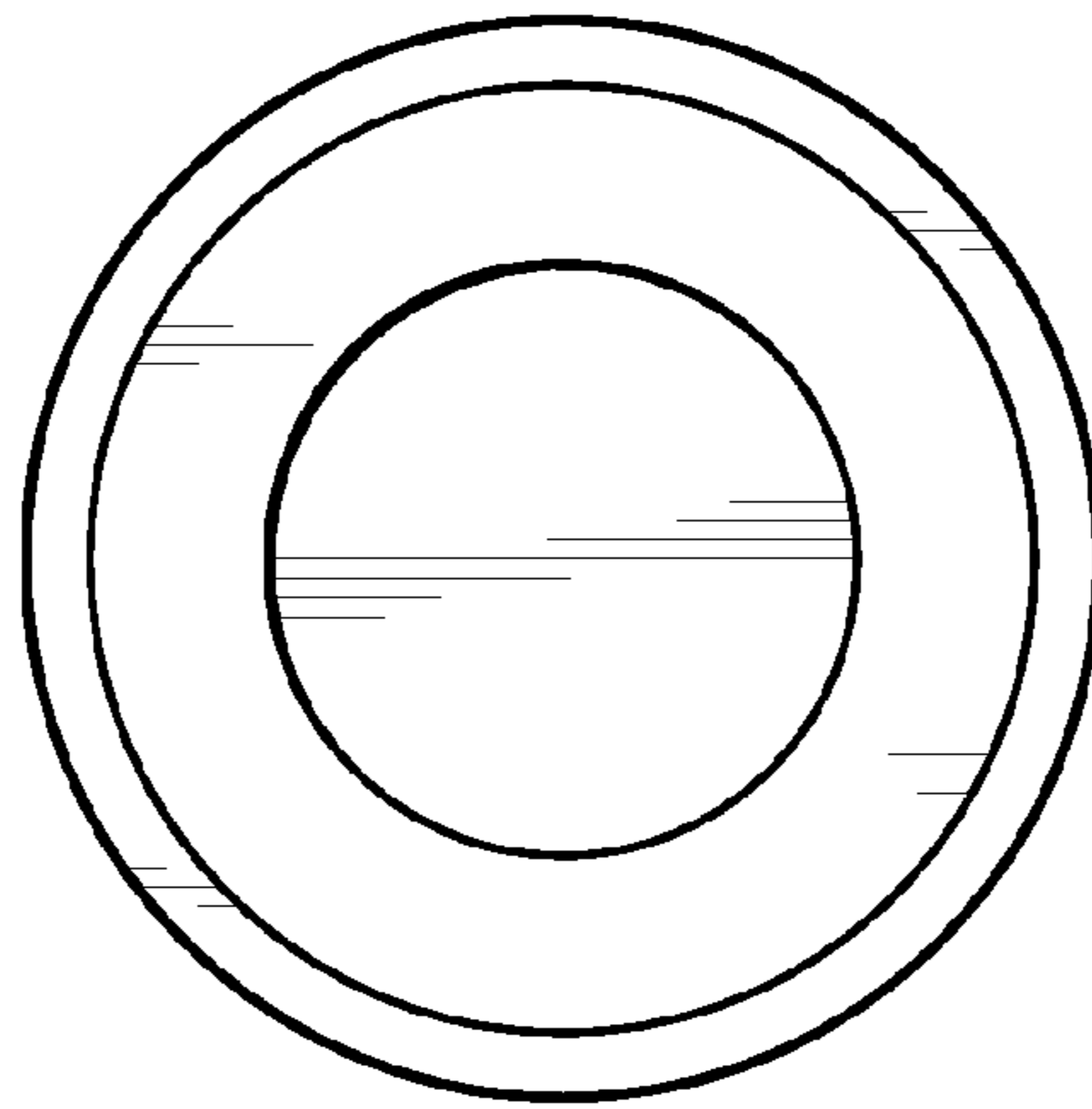


FIG. 3

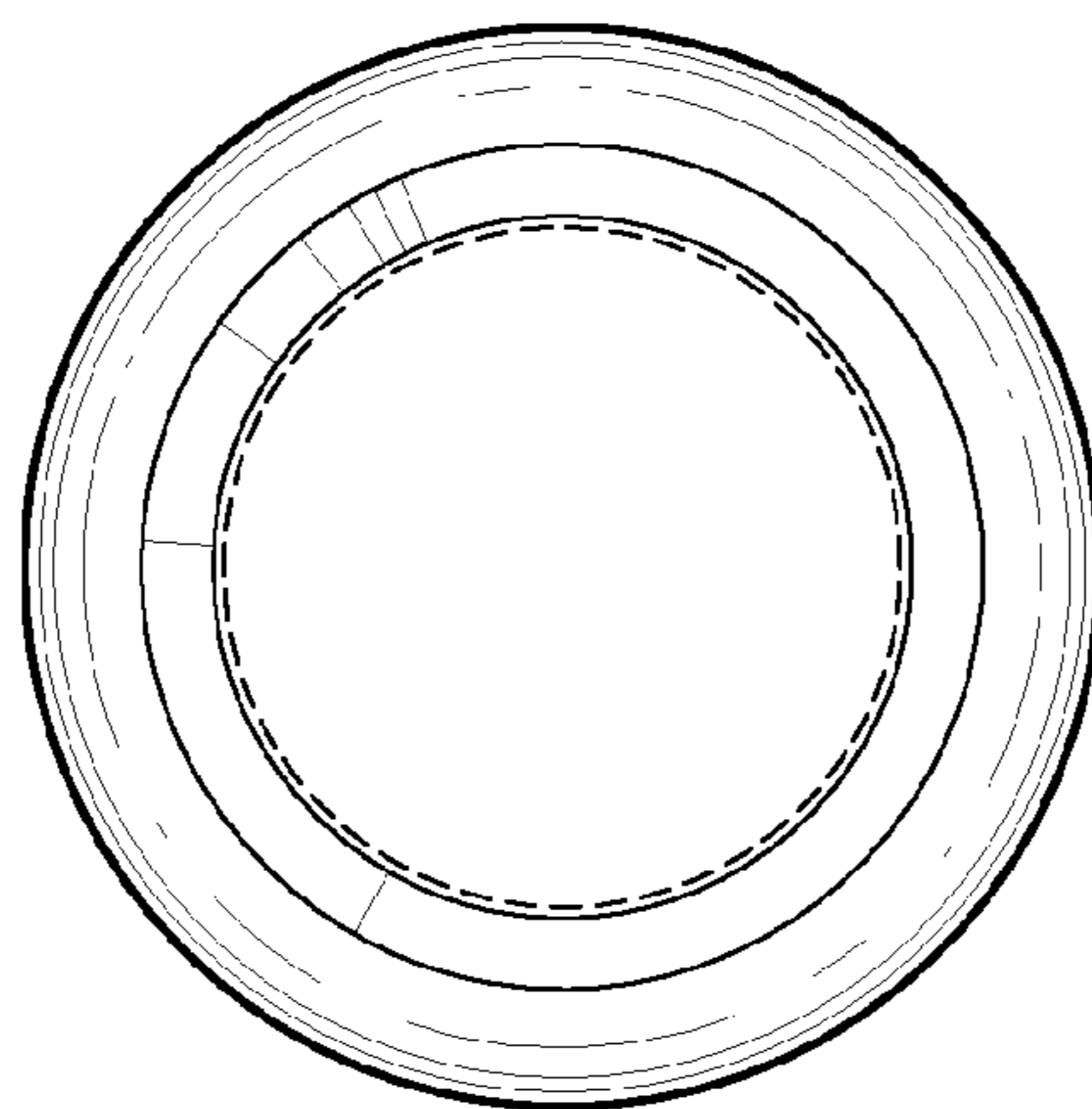


FIG. 4

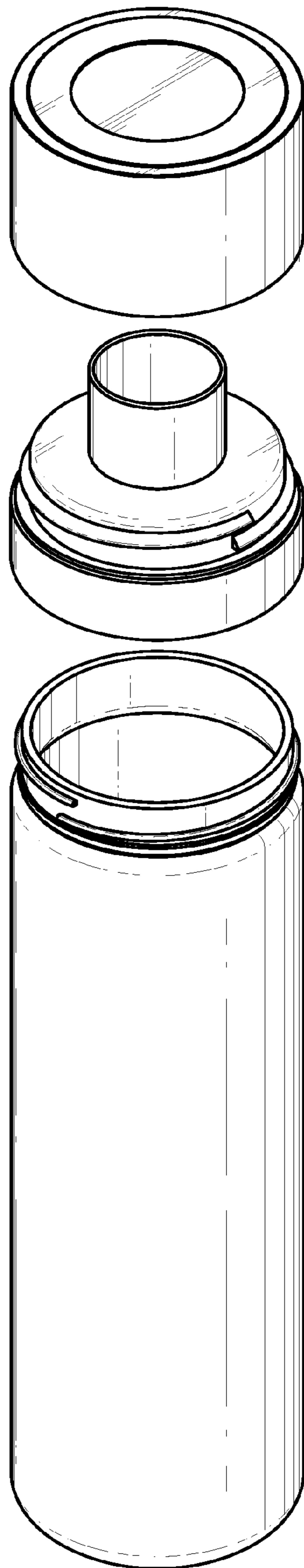


FIG. 5