



US00D652681S

(12) **United States Design Patent**
Monugian

(10) **Patent No.:** **US D652,681 S**
(45) **Date of Patent:** **** Jan. 24, 2012**

(54) **BEVERAGE HOLDER**

(76) Inventor: **Ricky D. Monugian**, Ontario, CA (US)

(**) Term: **14 Years**

(21) Appl. No.: **29/372,035**

(22) Filed: **Oct. 6, 2010**

(51) **LOC (9) Cl.** **07-01**

(52) **U.S. Cl.** **D7/510**

(58) **Field of Classification Search** D7/510,
D7/511, 500, 532, 900; 215/121, 382, 388,
215/387; 220/674, 715, 713, 718, 592.16,
220/592.17, 709, 708; D9/551, 529
See application file for complete search history.

(56) **References Cited**

U.S. PATENT DOCUMENTS

2,782,614 A * 2/1957 Currie 220/718
6,202,877 B1 * 3/2001 La Torre et al. 220/254.1
D466,371 S * 12/2002 Parker D7/510
D472,101 S * 3/2003 Janky D7/532

D535,151 S * 1/2007 Seum et al. D7/510
D586,182 S * 2/2009 Trombly D7/510
D622,546 S * 8/2010 Bodum D7/510
D639,166 S * 6/2011 Carreno D9/504

* cited by examiner

Primary Examiner — Cynthia Underwood

(57) **CLAIM**

The ornamental design for a beverage holder, as shown and described.

DESCRIPTION

FIG. 1 is a Perspective view of a beverage holder showing my new design;
FIG. 2 is a front view of my new design illustrated in FIG. 1;
the rear view of my new design is the mirror image of the front view;
FIG. 3 is a top view thereof; and,
FIG. 4 is a bottom view thereof.
The broken lines represent portions of the environment and form no part of the claim.

1 Claim, 4 Drawing Sheets

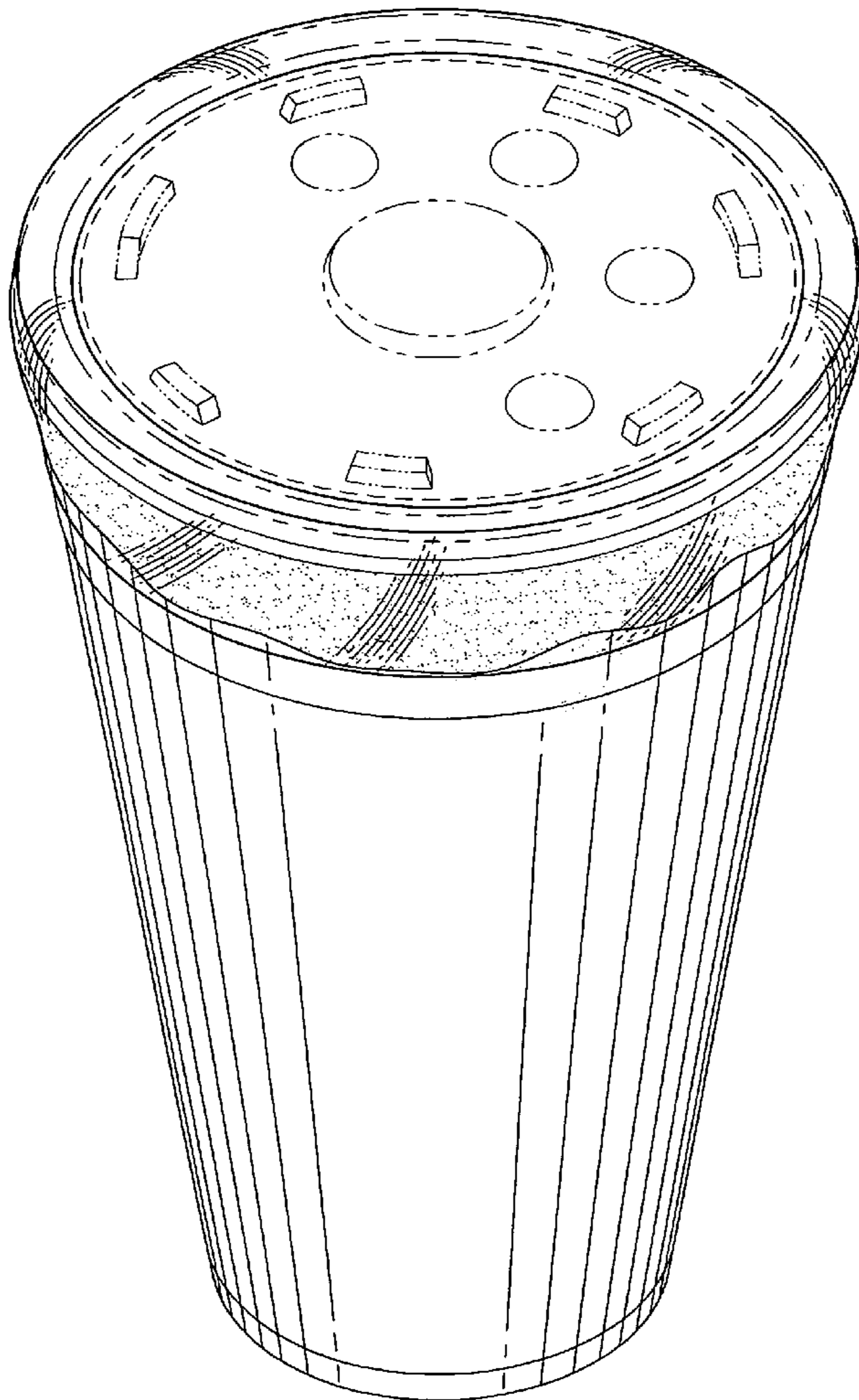


FIG. 1

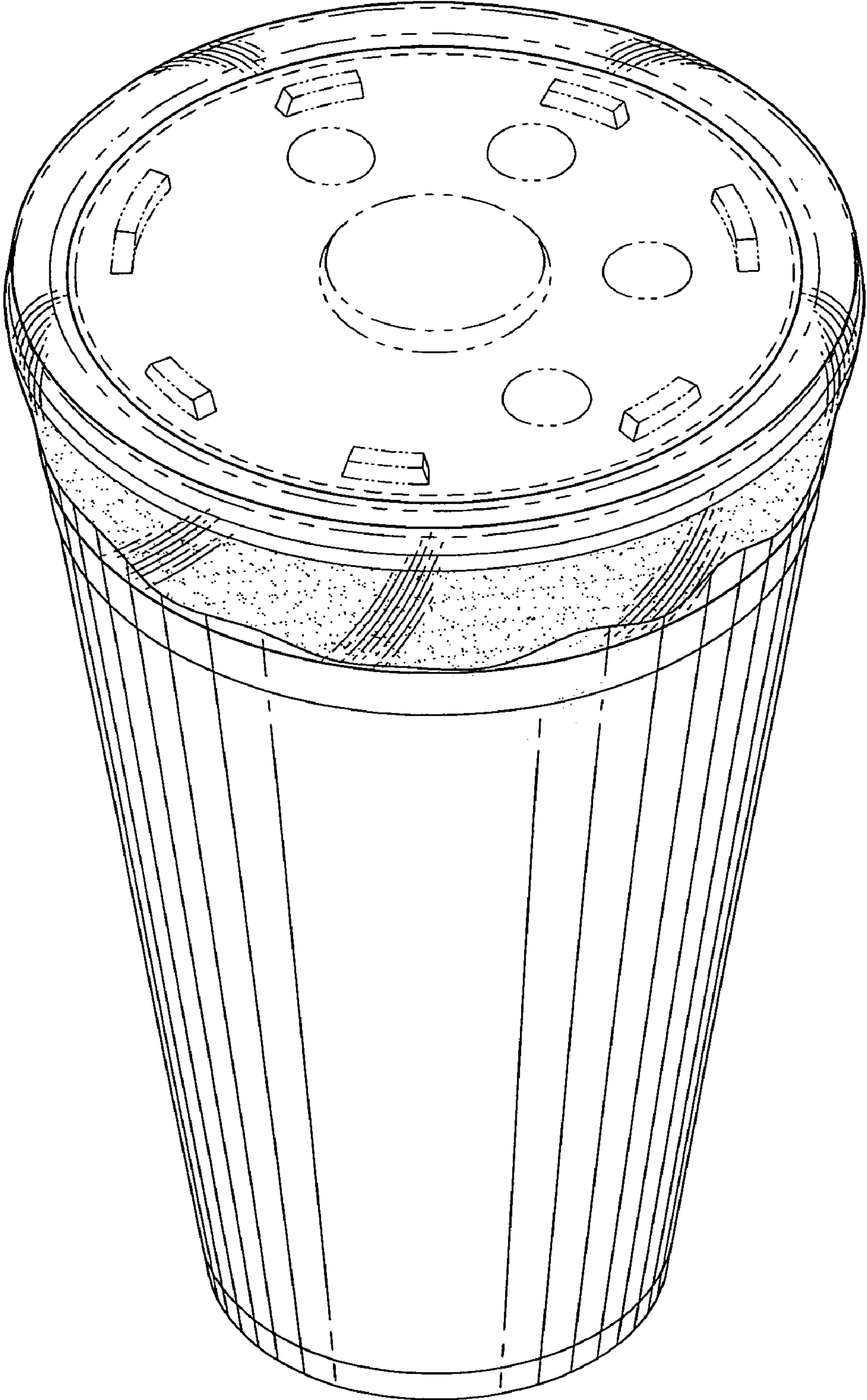


FIG. 2

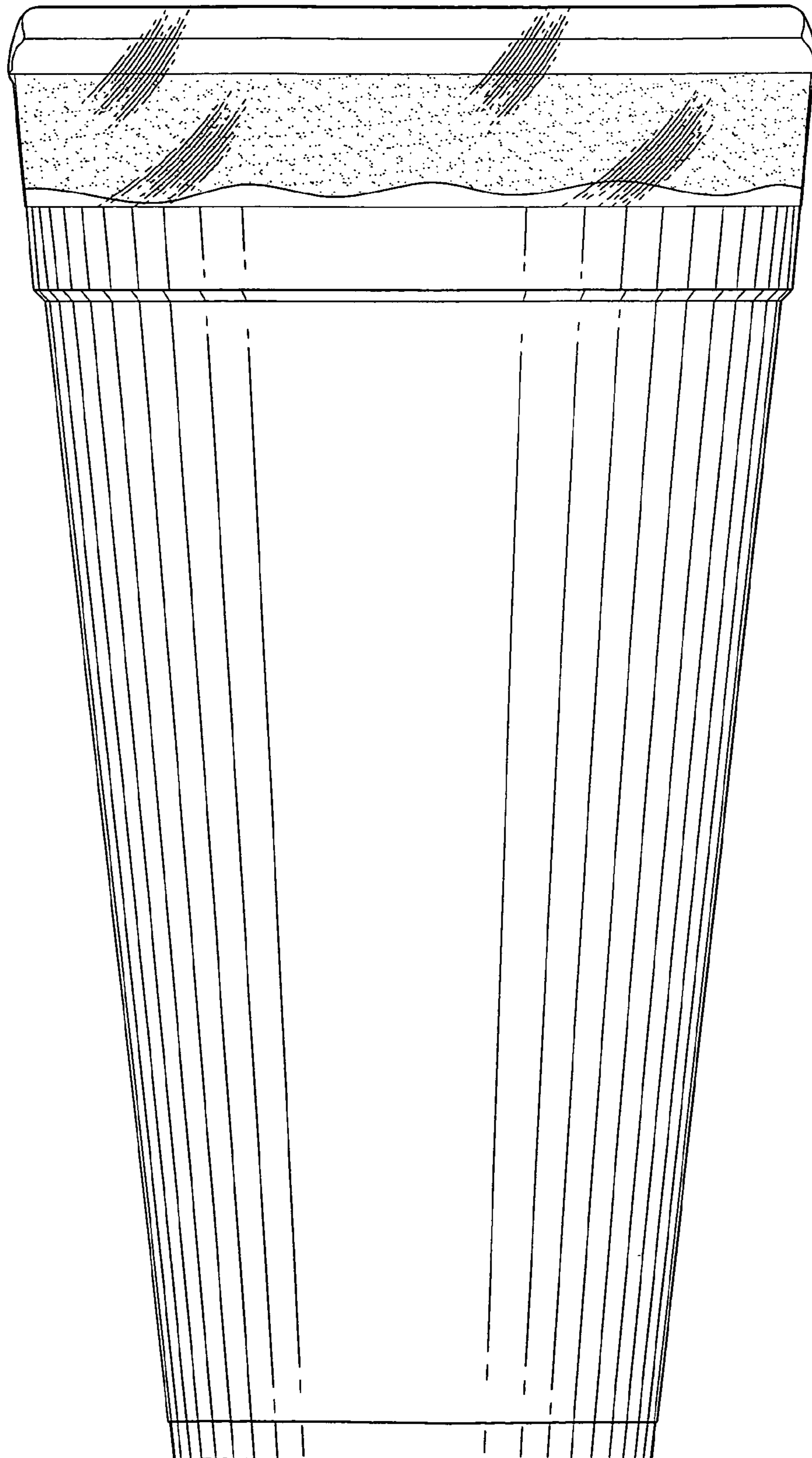


FIG. 3

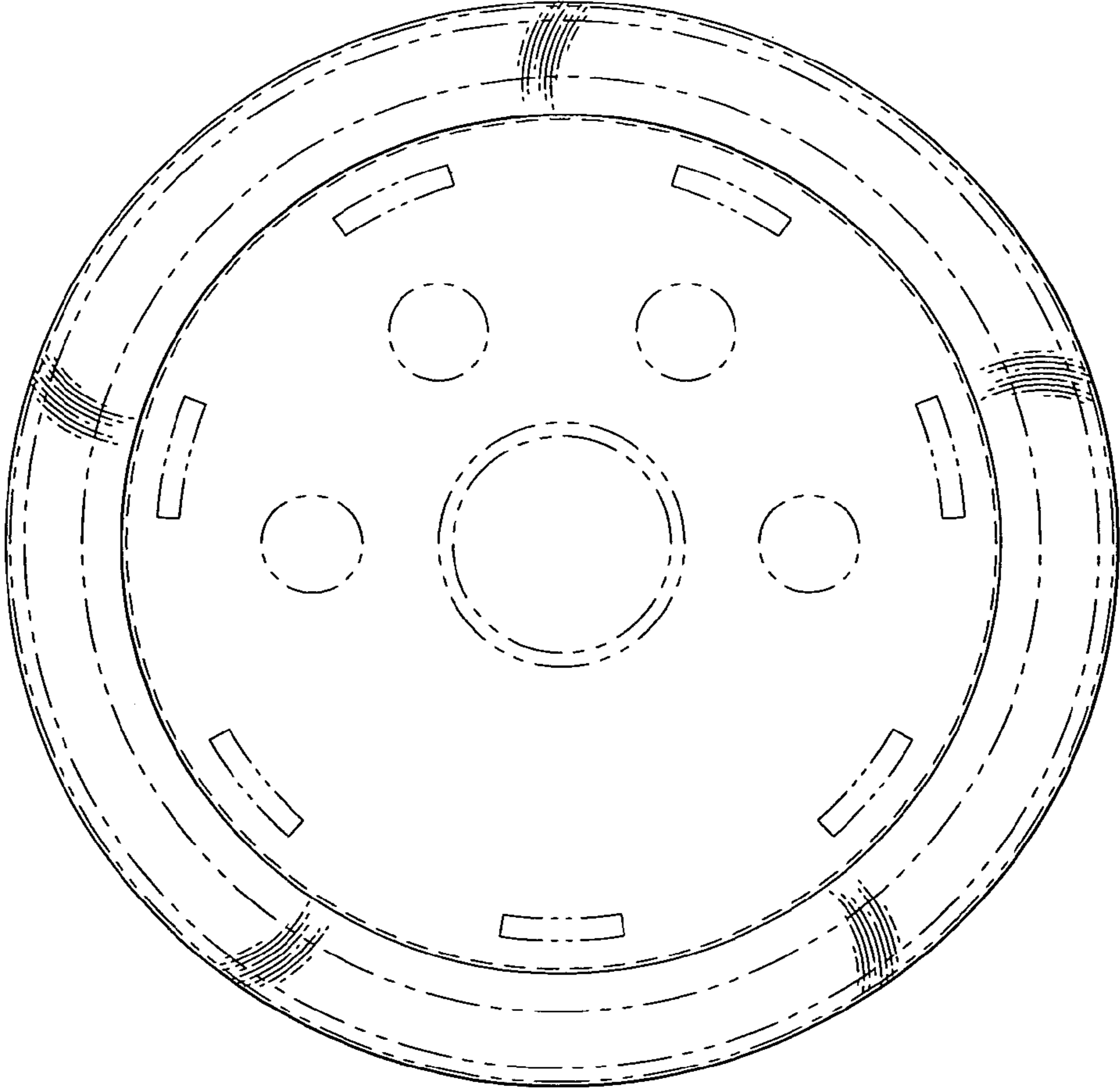


FIG. 4

