



US00D652680S

(12) **United States Design Patent**
Straka et al.

(10) **Patent No.:** **US D652,680 S**

(45) **Date of Patent:** **** Jan. 24, 2012**

(54) **WINE DECANTER AND BASE**

(75) Inventors: **Brad Straka**, Boca Raton, FL (US);
William Goralski, Delray Beach, FL
(US); **Claus Jensen**, Copenhagen (DK);
Henrik Holbaek, Copehagen (DK)

(73) Assignee: **Sunbeam Products, Inc.**, Boca Raton,
FL (US)

(**) Term: **14 Years**

(21) Appl. No.: **29/392,758**

(22) Filed: **May 26, 2011**

(51) **LOC (9) Cl.** **07-01**

(52) **U.S. Cl.** **D7/505; D7/507; D7/300.1; D7/316**

(58) **Field of Classification Search** D7/507,
D7/505, 316, 300, 300.1, 598; D9/651, 553,
D9/545, 544, 542; 99/323.1; 220/662, 62.14
See application file for complete search history.

(56) **References Cited**

U.S. PATENT DOCUMENTS

D211,978 S * 8/1968 Douglas D7/300
D271,833 S * 12/1983 Okada D11/143
D283,287 S * 4/1986 Bosteels D7/507

D290,089 S * 6/1987 Heriard-Dubreuil D7/300
D341,986 S * 12/1993 Futscher D7/313
7,059,491 B1 * 6/2006 Smith 220/662
D545,135 S * 6/2007 Bodum D7/598
D545,136 S * 6/2007 Bodum D7/598
D553,231 S * 10/2007 Li D23/366
D572,518 S * 7/2008 Venier D7/316
D613,390 S * 4/2010 Jorgensen D23/366
D617,659 S * 6/2010 Renz et al. D9/743
D637,445 S * 5/2011 Chung et al. D7/316

* cited by examiner

Primary Examiner — Marianne Pandozzi

(74) *Attorney, Agent, or Firm* — Micahel J. Corrigan

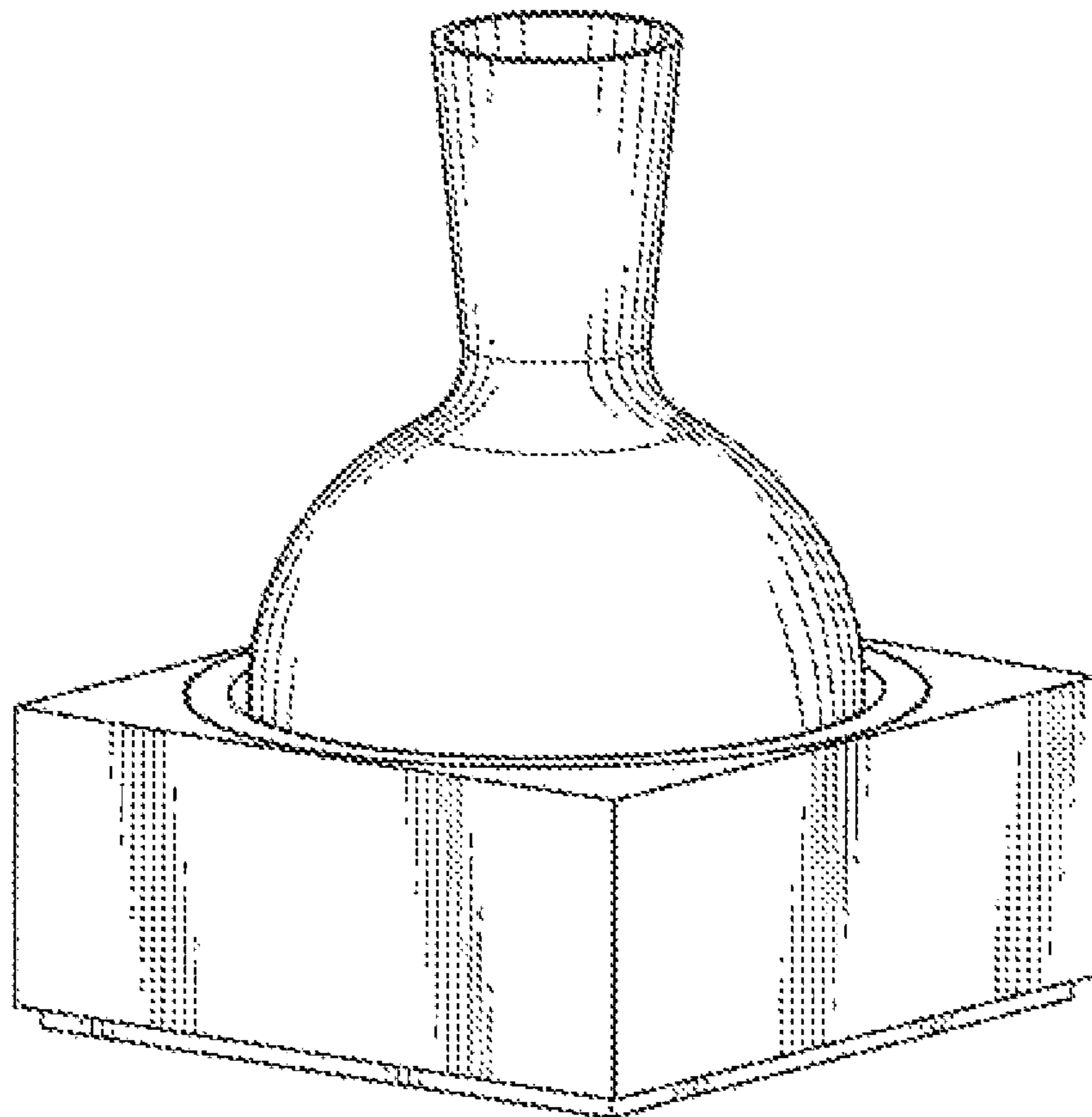
(57) **CLAIM**

The ornamental design for a wine decanter and base, as shown and described.

DESCRIPTION

FIG. 1 is a front isometric view of wine decanter and base;
FIG. 2 is a front view thereof, all sides being the same;
FIG. 3 is a top view thereof;
FIG. 4 is a bottom view thereof; and,
FIG. 5 is a front exploded isometric view of wine decanter and base.

1 Claim, 1 Drawing Sheet



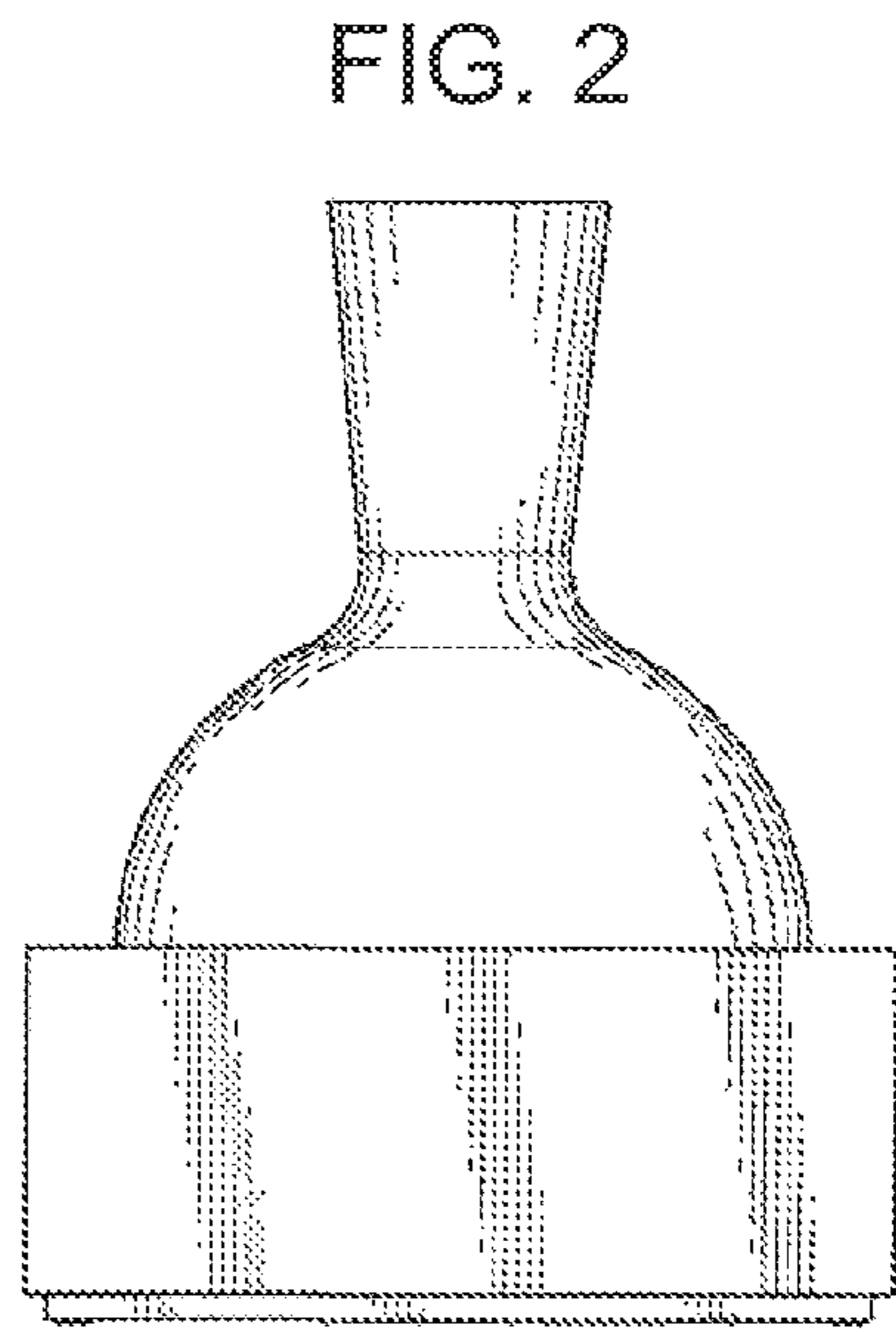
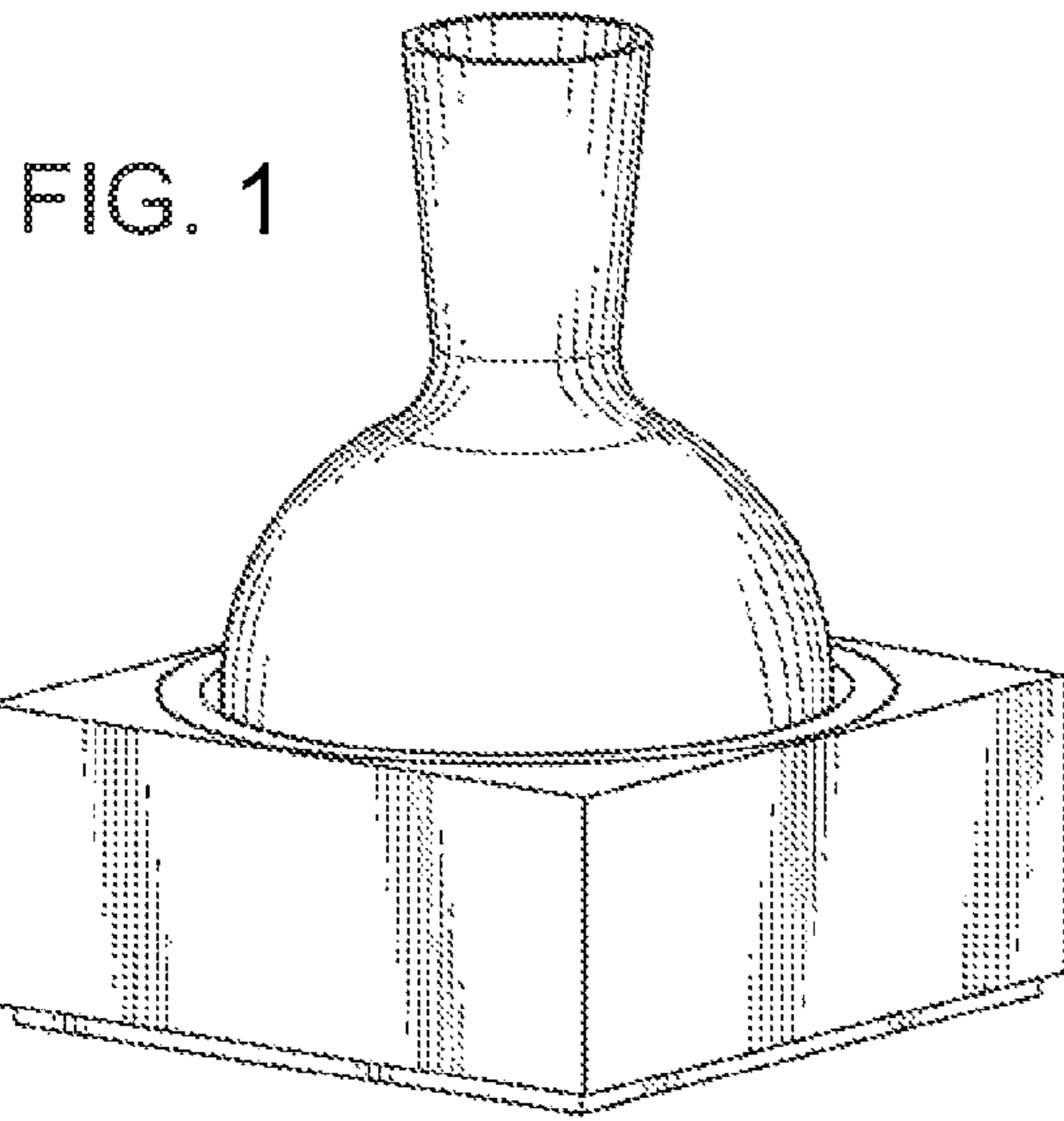


FIG. 3

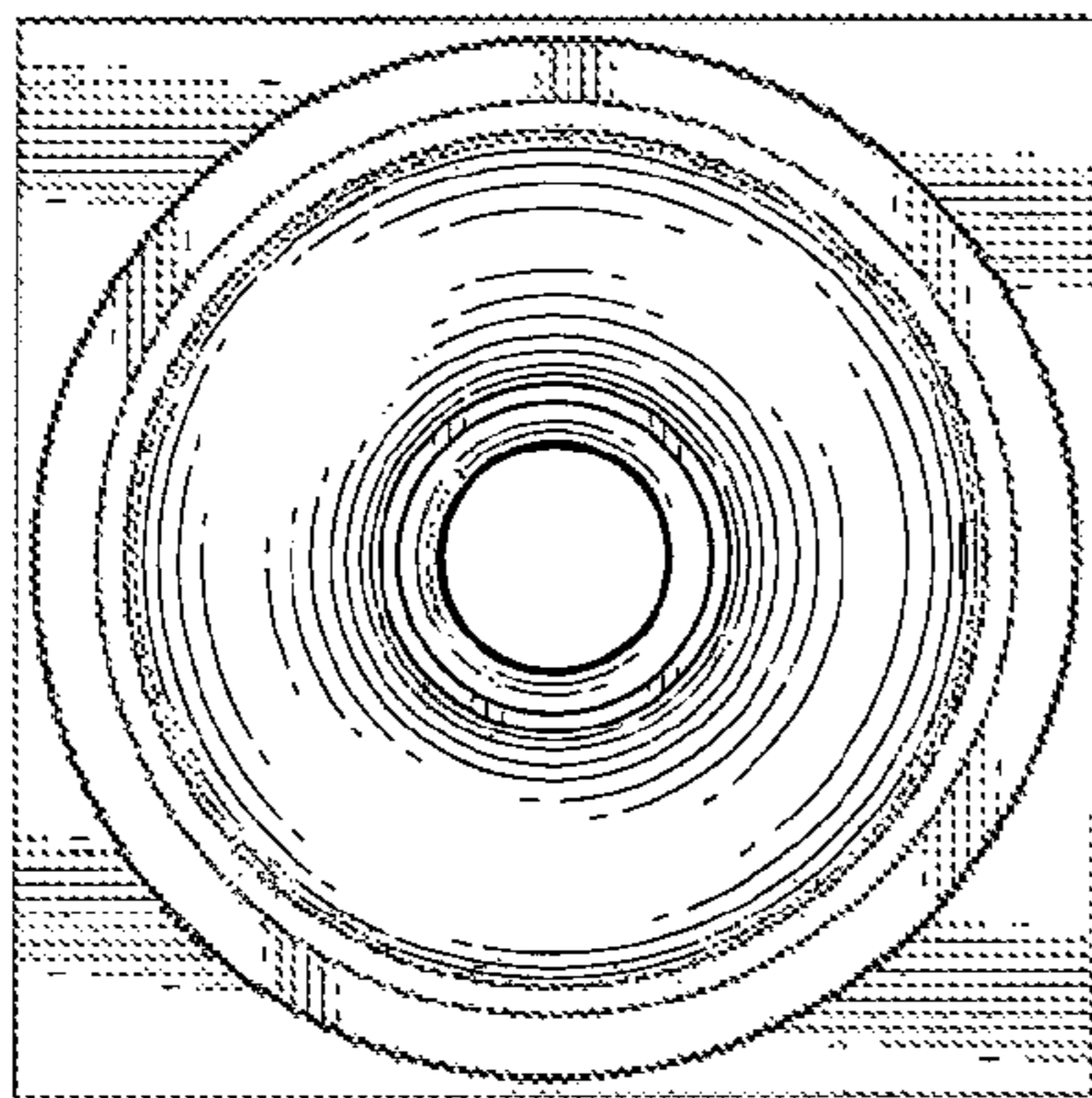


FIG. 4

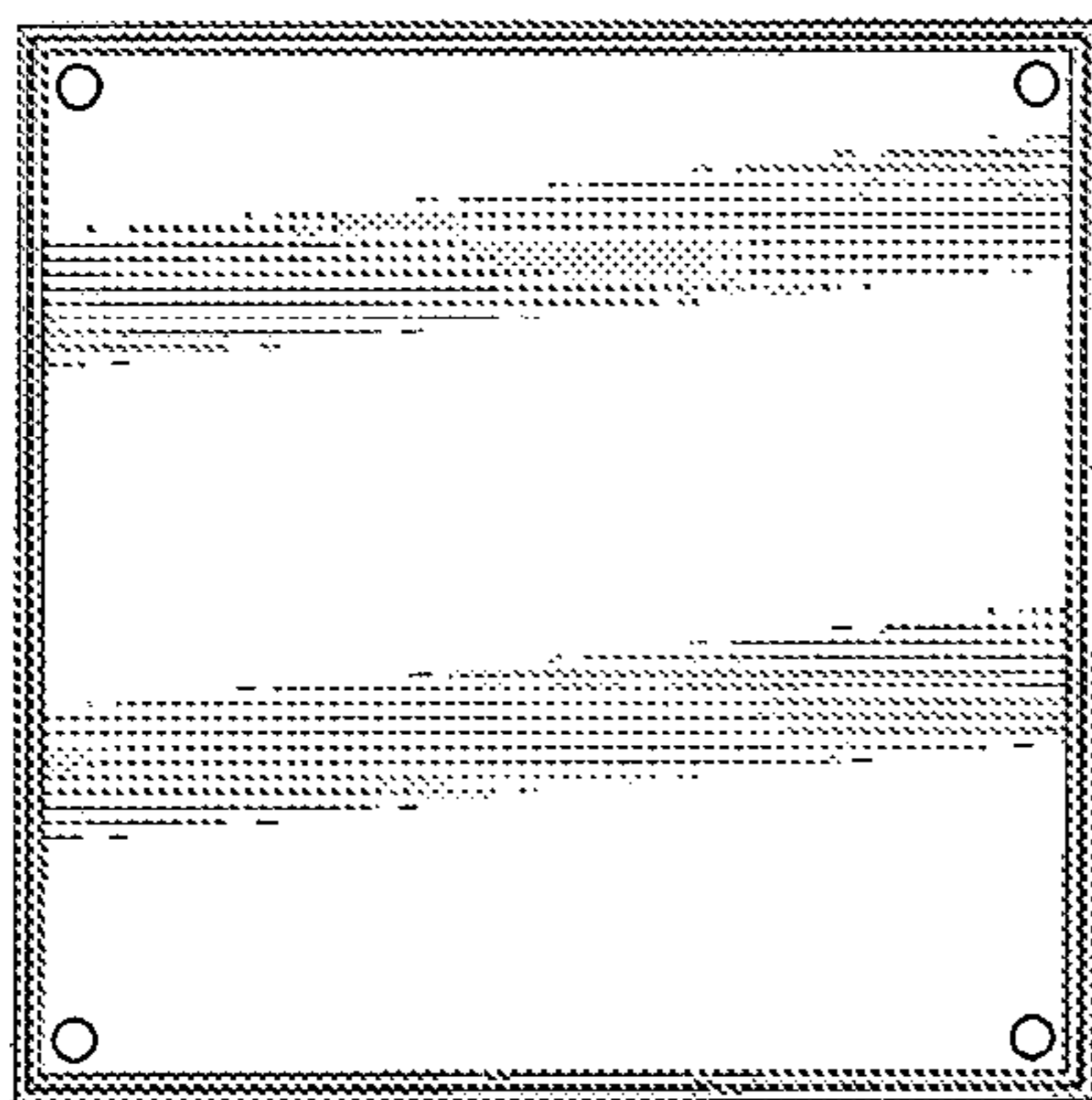


FIG. 5

