



US00D652676S

(12) **United States Design Patent**  
**Wildenbos et al.**

(10) **Patent No.:** **US D652,676 S**  
(45) **Date of Patent:** **\*\* Jan. 24, 2012**

(54) **GALLEY APPLIANCE**

(75) Inventors: **Herman Wildenbos**, Cappelle aan de Ijssel (NL); **Marcel Berden**, Almere (NL); **Eric Mickelson**, Laguna Niguel, CA (US)

(73) Assignee: **BE Aerospace, Inc.**, Wellington, FL (US)

(\*\*) Term: **14 Years**

(21) Appl. No.: **29/378,502**

(22) Filed: **Nov. 5, 2010**

(51) **LOC (9) Cl.** ..... **07-02**

(52) **U.S. Cl.** ..... **D7/405; D7/351; D15/81**

(58) **Field of Classification Search** ..... D7/313, D7/306, 605, 323, 388, 402, 406-409, 346-351, D7/350.4, 340; 126/1 R, 24, 25 R, 29, 332, 126/337 R, 339; 211/134, 153, 181.1; 312/410; 99/426; D15/79-81, 83-85, 88; D6/432, D6/436, 445, 446, 448; 49/51

See application file for complete search history.

(56) **References Cited**

**U.S. PATENT DOCUMENTS**

D253,536 S *	11/1979	Shibata et al. ....	D15/88
D266,000 S *	8/1982	Kawakami .....	D15/88
4,536,990 A *	8/1985	Siegrist et al. ....	49/501
D294,103 S *	2/1988	Katagami et al. ....	D7/351
D294,104 S *	2/1988	Fujimoto et al. ....	D7/351
D294,107 S *	2/1988	Katagami et al. ....	D7/351
D333,782 S *	3/1993	van Berlo .....	D7/350.4
D334,595 S *	4/1993	Livingston .....	D15/81
D359,415 S *	6/1995	van Berlo .....	D7/351
D362,980 S *	10/1995	Staar .....	D6/448
D384,544 S *	10/1997	Lieblein et al. ....	D7/350.4
D422,286 S *	4/2000	Choi et al. ....	D15/81

D452,971 S *	1/2002	Funabasama et al. ....	D15/81
D463,214 S *	9/2002	Janes, Jr. ....	D7/405
D468,325 S *	1/2003	Lorek et al. ....	D15/81
D468,755 S *	1/2003	Muniz-Rivera et al. ....	D15/81
D474,486 S *	5/2003	Uihlein et al. ....	D15/91
D476,667 S *	7/2003	Lorek et al. ....	D15/81
D501,856 S *	2/2005	Okamoto et al. ....	D15/81
D523,685 S *	6/2006	Jung et al. ....	D7/340
D539,312 S *	3/2007	Kim .....	D15/81
D540,831 S *	4/2007	Kim et al. ....	D15/81
D560,421 S *	1/2008	Davis .....	D7/348
D561,529 S *	2/2008	Suh et al. ....	D7/405
D567,828 S *	4/2008	Moran .....	D15/79
D568,909 S *	5/2008	Santiago .....	D15/81
D594,483 S *	6/2009	Cefalu .....	D15/88

\* cited by examiner

*Primary Examiner* — T. Chase Nelson

*Assistant Examiner* — Mark Cavanna

(74) *Attorney, Agent, or Firm* — Shumaker, Loop & Kendrick LLP

(57) **CLAIM**

The ornamental design for a galley appliance, as shown and described.

**DESCRIPTION**

FIG. 1 is a front and right side perspective view of a galley appliance showing our new design;

FIG. 2 is a front elevational view thereof;

FIG. 3 is a top plan view thereof;

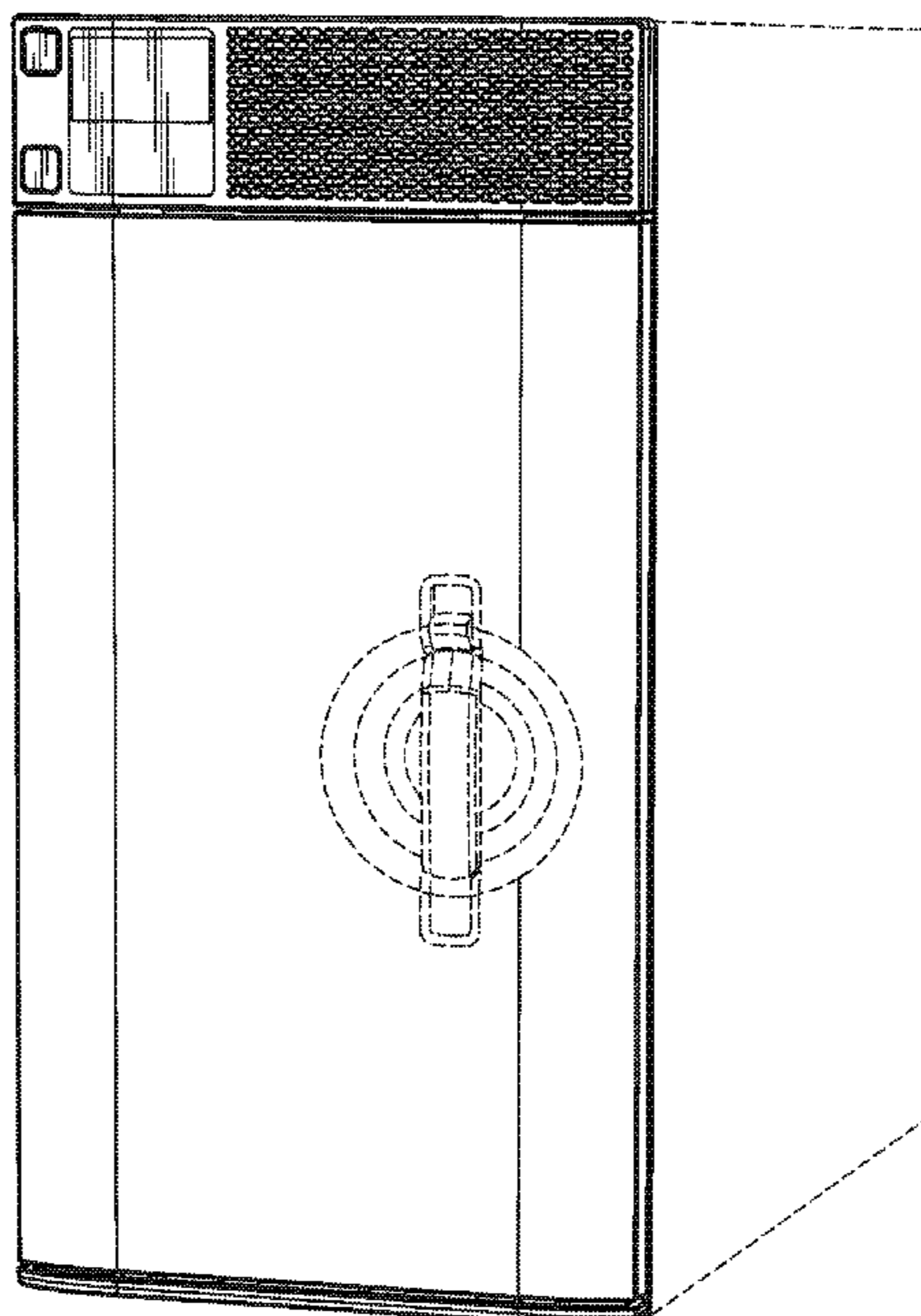
FIG. 4 is a bottom plan view thereof;

FIG. 5 is a right side elevational view thereof; and,

FIG. 6 is a left side elevational view thereof.

The broken lines shown in the drawing disclosure are for illustrative purposes only and form no part of the claimed design.

**1 Claim, 6 Drawing Sheets**



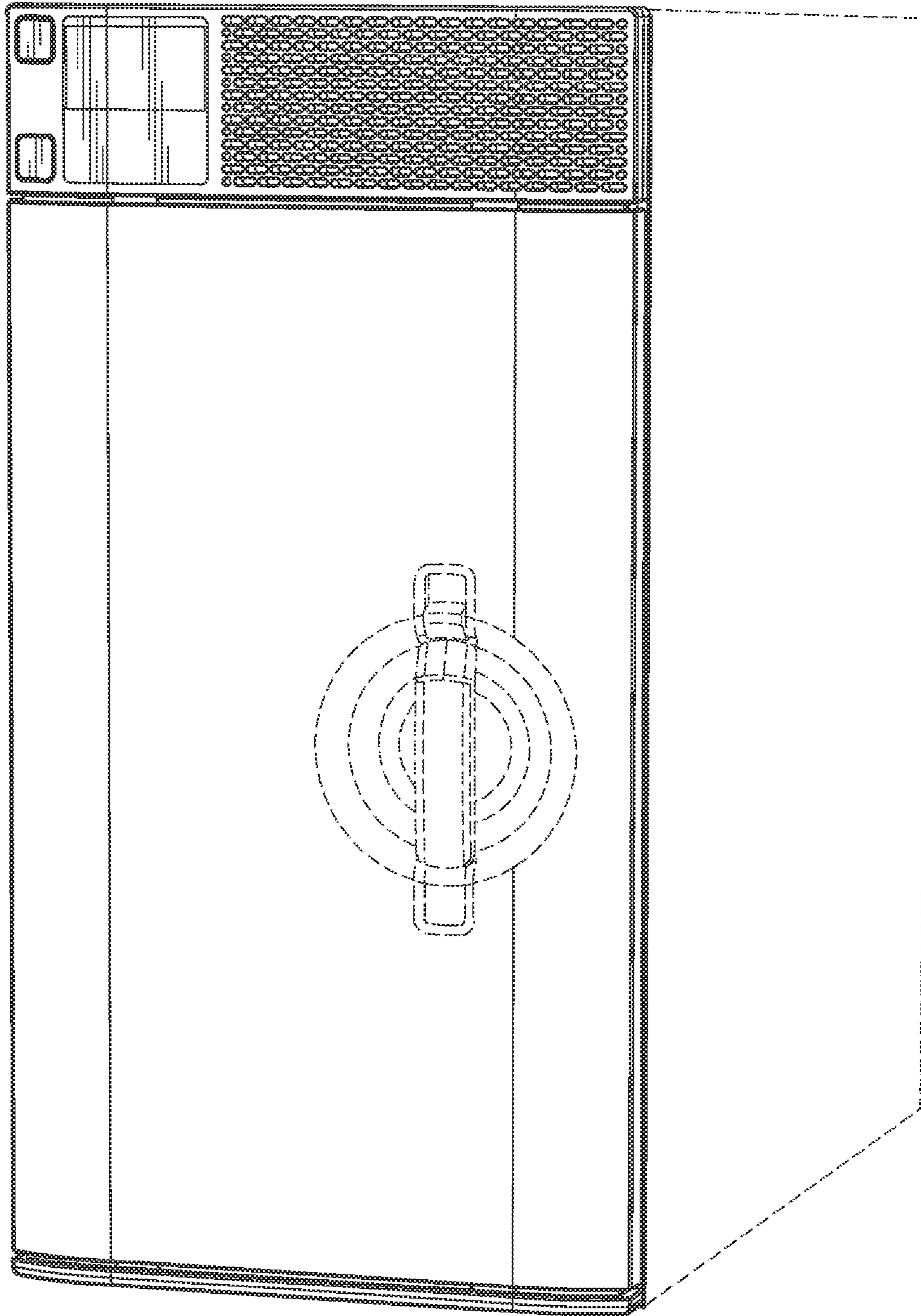


Fig. 1

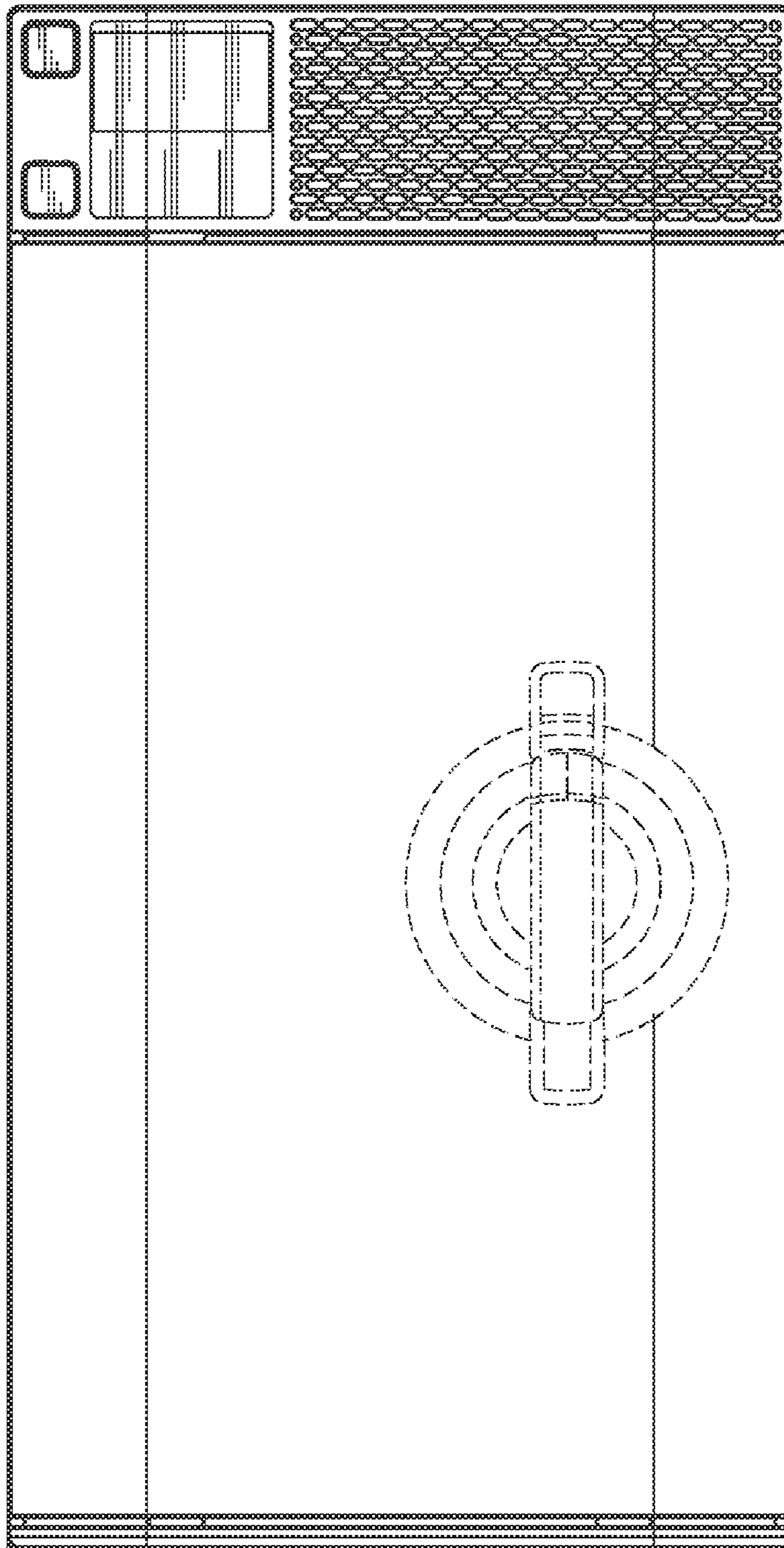


Fig. 2



Fig. 3

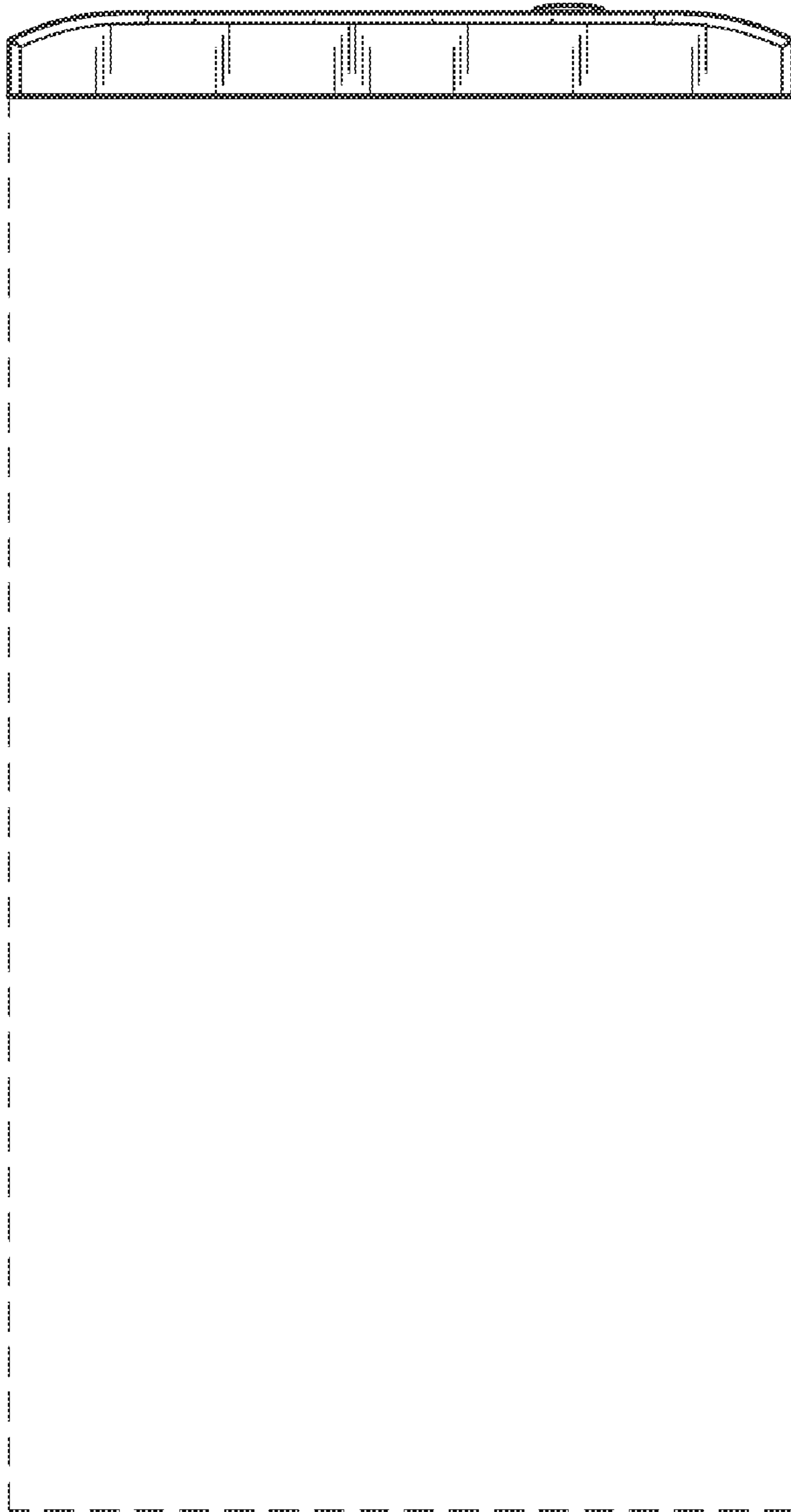


Fig. 4

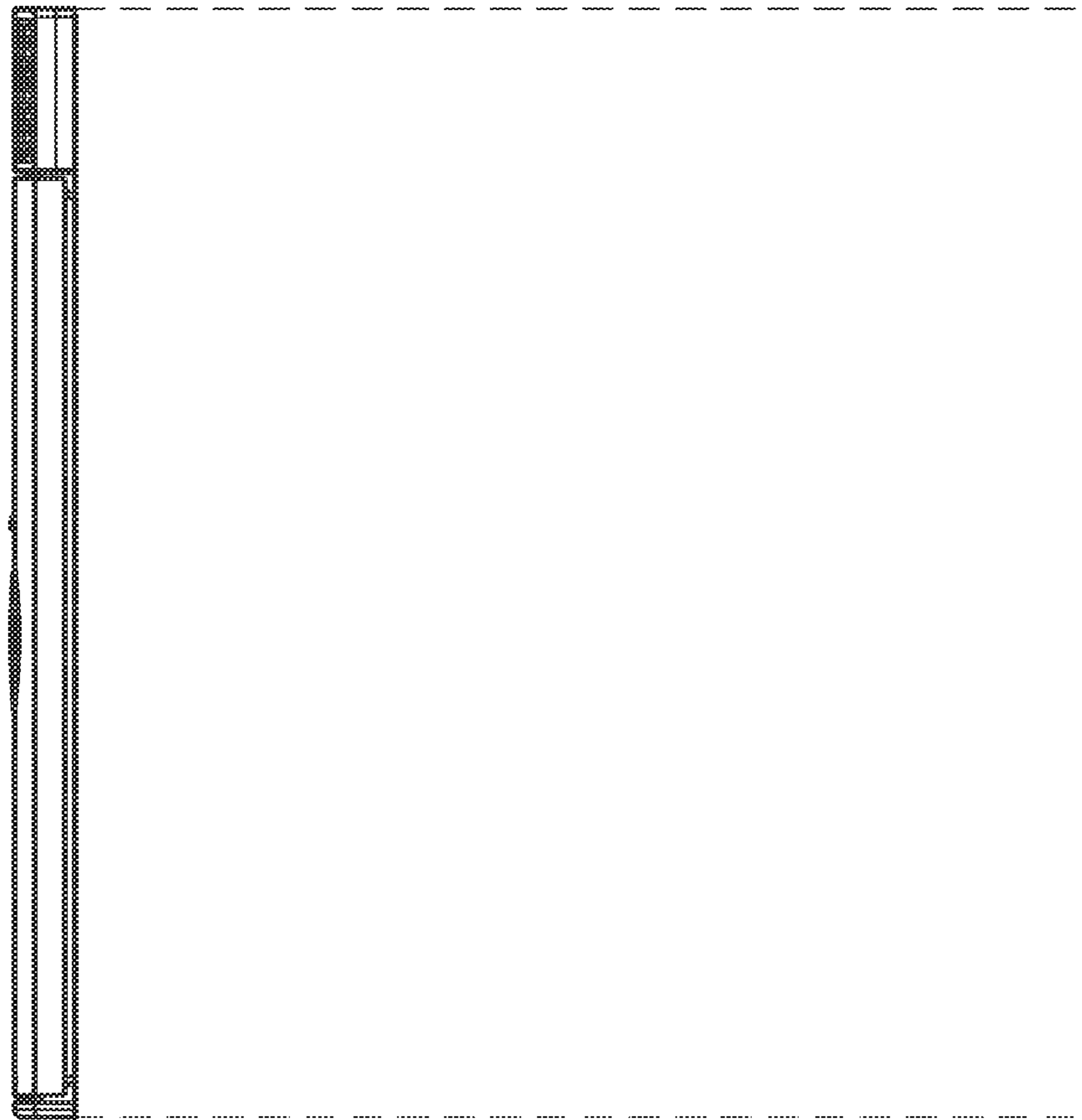


Fig. 5

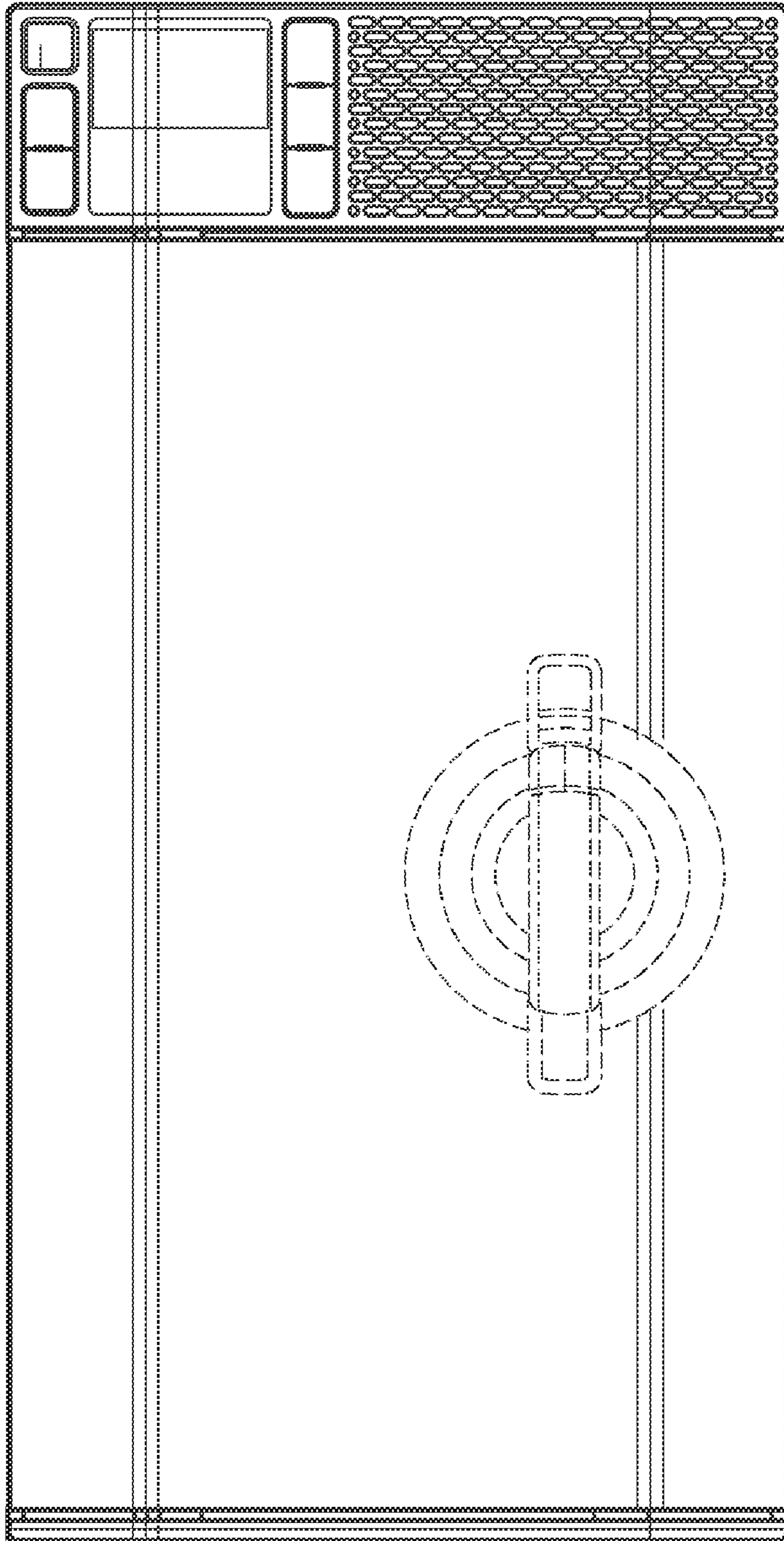


Fig. 6