

US00D652671S

(12) **United States Design Patent**
Cheng

(10) **Patent No.:** **US D652,671 S**

(45) **Date of Patent:** **** Jan. 24, 2012**

(54) **COOKWARE VESSEL WITH DECORATIVE BASE MOTIF**

(75) **Inventor:** **Stanley Kin Sui Cheng**, Hillsborough, CA (US)

(73) **Assignee:** **Meyer Intellectual Properties Limited** (VG)

(**) **Term:** **14 Years**

(21) **Appl. No.:** **29/314,196**

(22) **Filed:** **Mar. 11, 2009**

(51) **LOC (9) Cl.** **07-02**

(52) **U.S. Cl.** **D7/354**

(58) **Field of Classification Search** D7/309, D7/323, 330-331, 339, 346-347, 350.1-350.4, D7/354-363; 99/324-325, 331-332, 337-339, 99/369, 403-418; 219/438-442, 620-624, 219/725, 730-735; 426/438, 441
See application file for complete search history.

(56) **References Cited**

U.S. PATENT DOCUMENTS

- D344,370 S * 2/1994 Dryden et al. D30/129
- D364,998 S * 12/1995 Held D7/545
- D382,766 S * 8/1997 Hamada et al. D7/354
- D382,767 S * 8/1997 Lien D7/360

- D383,031 S * 9/1997 Cousins D7/354
- D383,645 S * 9/1997 Hoffmann D7/417
- D405,561 S * 2/1999 Willinger et al. D30/129
- D423,733 S * 4/2000 Choi et al. D30/129
- D481,594 S * 11/2003 Roehrig D7/555
- 7,121,422 B2 * 10/2006 Gitschlag et al. 220/575
- D636,218 S * 4/2011 France et al. D7/354

* cited by examiner

Primary Examiner — Zenia Bennett

(74) *Attorney, Agent, or Firm* — Edwards S. Sherman

(57) **CLAIM**

The ornamental design for a “cookware vessel with decorative base motif”, as shown and described.

DESCRIPTION

FIG. 1 is a perspective view of the “cookware vessel with decorative base motif”, showing my new design; FIG. 2 is an elevation thereof; FIG. 3 is a top plan view thereof; and, FIG. 4 is a bottom plan view thereof.

The rectangular cross-hatched regions in the cookware base in FIGS. 1 and 2 illustrate a copper color that contrasts with the surrounding material.

The broken lines in FIGS. 1-2 are for illustrative purposes only, depicting the environment of the new design, forming no part thereof as claimed.

1 Claim, 3 Drawing Sheets

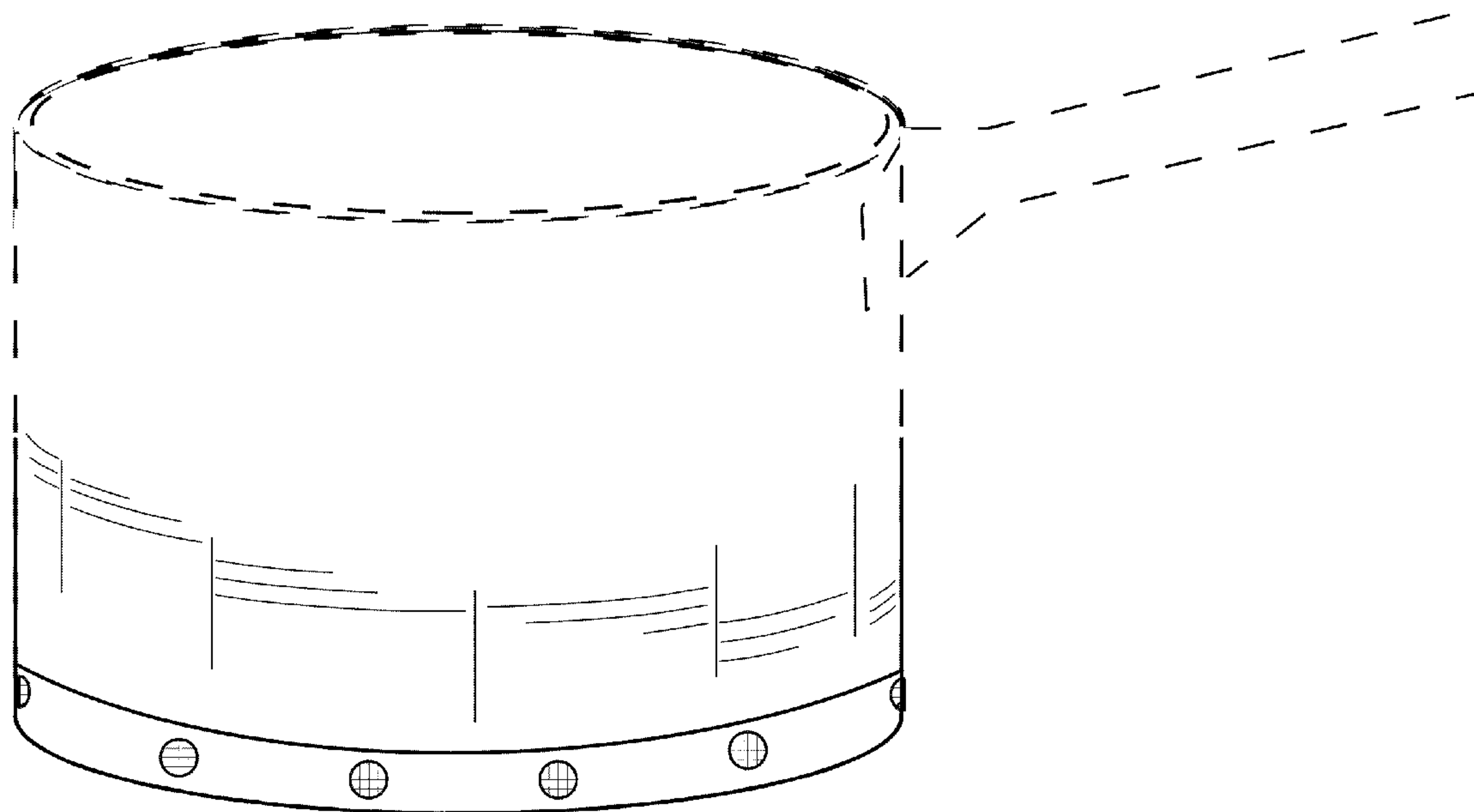


FIG. 1

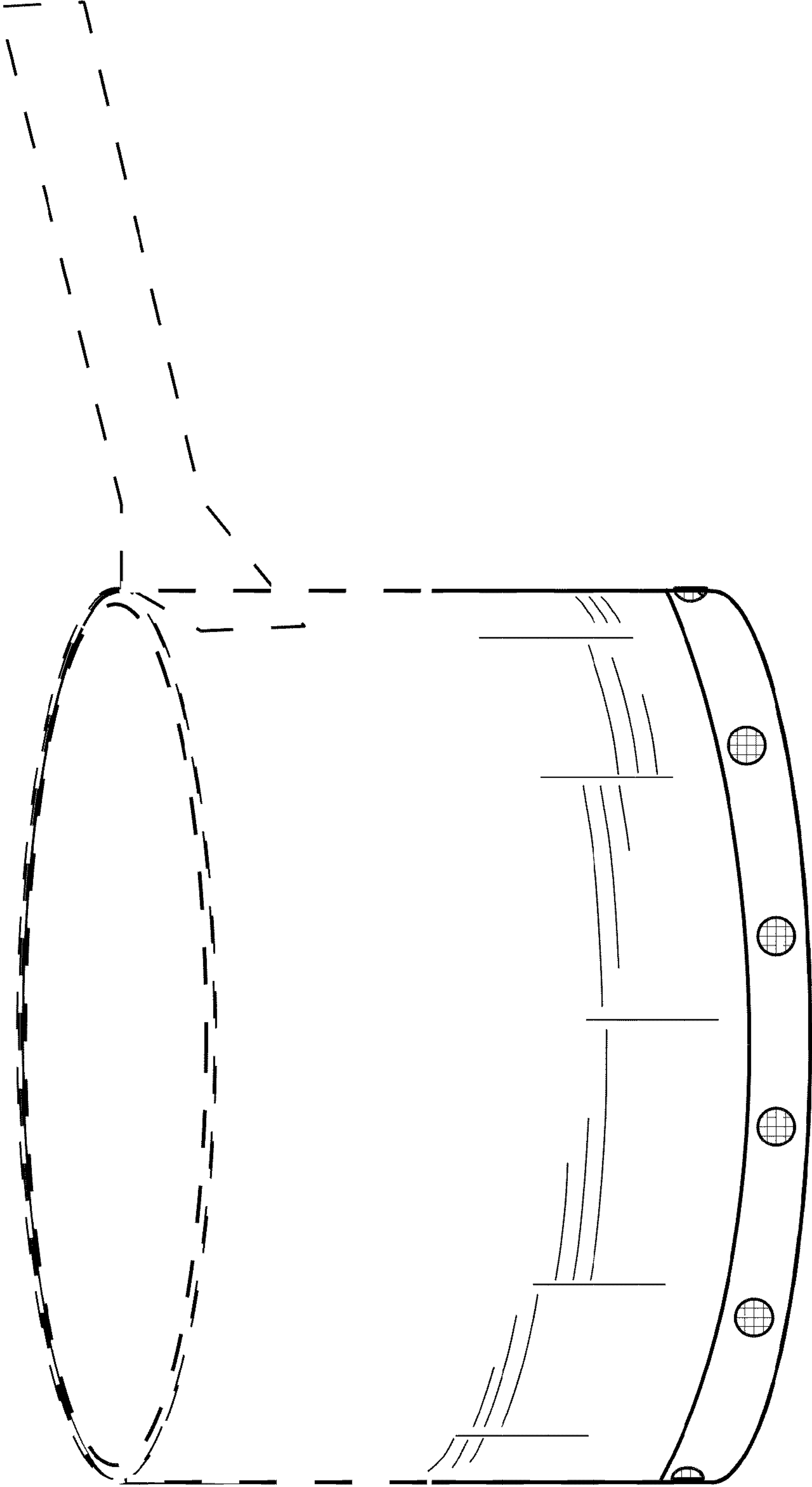


FIG. 2

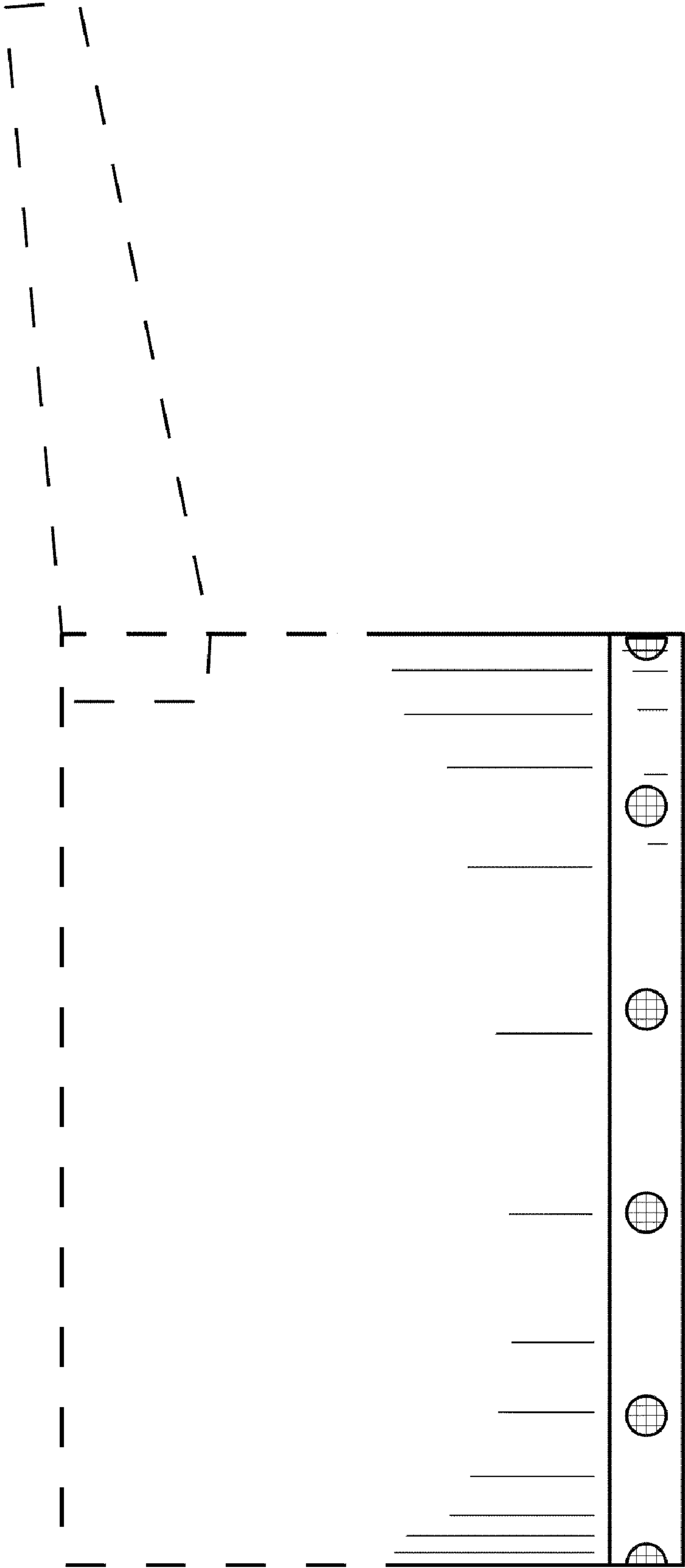


FIG. 3

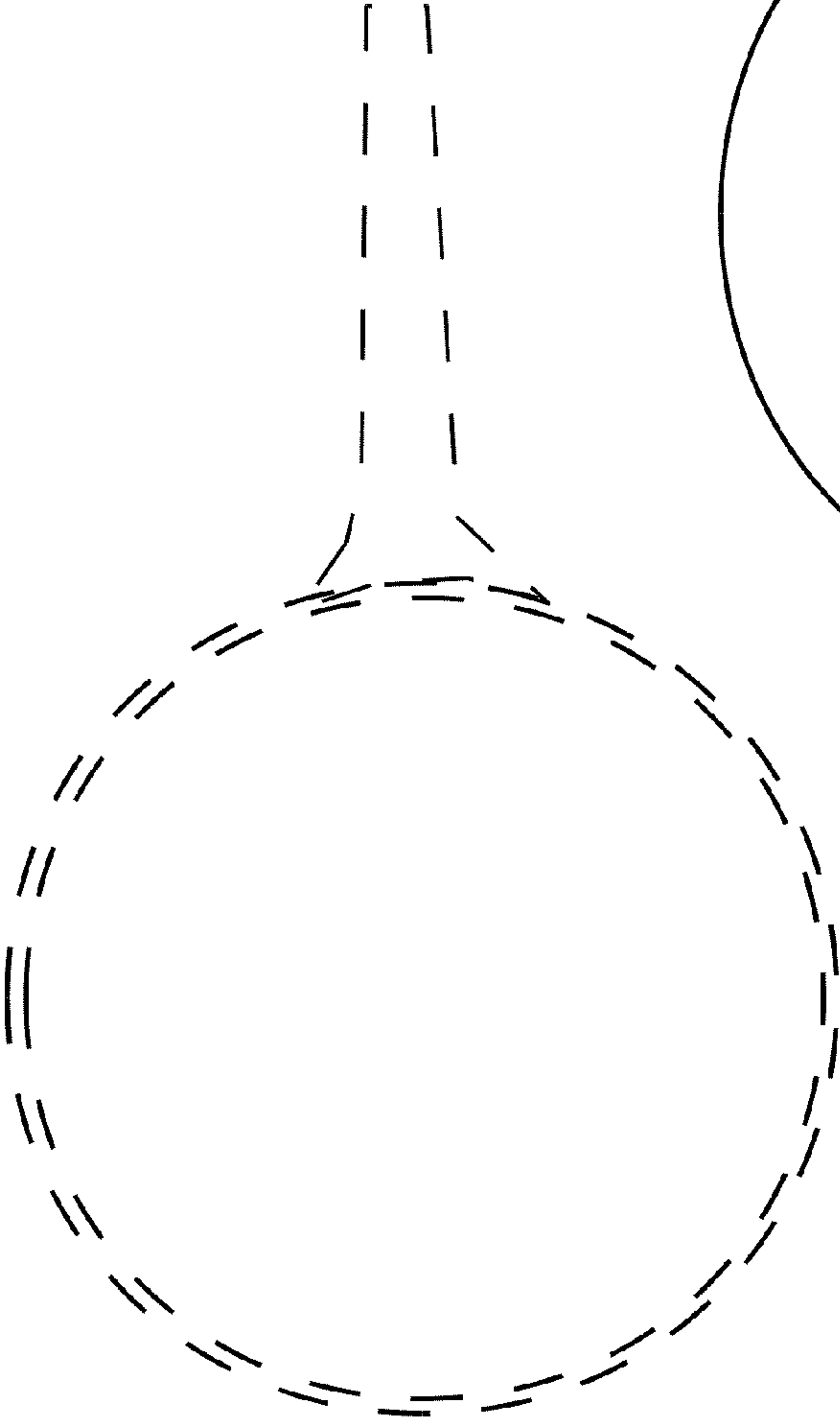


FIG. 4

