



US00D652670S

(12) **United States Design Patent**
Rae

(10) **Patent No.:** **US D652,670 S**
(45) **Date of Patent:** **** Jan. 24, 2012**

(54) **BANDED COOKING VESSEL**
(75) Inventor: **Robert A Rae**, Las Vegas, NV (US)
(73) Assignee: **Meyer Intellectual Properties Limited**
(VG)
(**) Term: **14 Years**
(21) Appl. No.: **29/313,712**
(22) Filed: **Feb. 3, 2009**
(51) **LOC (9) Cl.** **07-02**
(52) **U.S. Cl.** **D7/354**
(58) **Field of Classification Search** D7/309,
D7/323, 330-331, 339, 346-347, 350.1-350.4,
D7/354-363; 99/324-325, 331-332, 337-339,
99/369, 403-418; 219/438-442, 620-624,
219/725, 730-735; 426/438, 441
See application file for complete search history.

(56) **References Cited**
U.S. PATENT DOCUMENTS
D384,547 S * 10/1997 Roussard et al. D7/358
D413,483 S * 9/1999 Roussard D7/358
D439,104 S * 3/2001 Thakur D7/360
6,267,830 B1 * 7/2001 Groll 148/531
D465,126 S * 11/2002 Mendelson et al. D7/358
D572,521 S * 7/2008 Bergara D7/358
D579,714 S * 11/2008 Cheng et al. D7/360
D581,721 S * 12/2008 Rae D7/360
D587,519 S * 3/2009 Cheng et al. D7/360
D640,896 S * 7/2011 Molayem D7/356
D641,203 S * 7/2011 Josancy D7/358
D641,585 S * 7/2011 Cheng D7/354

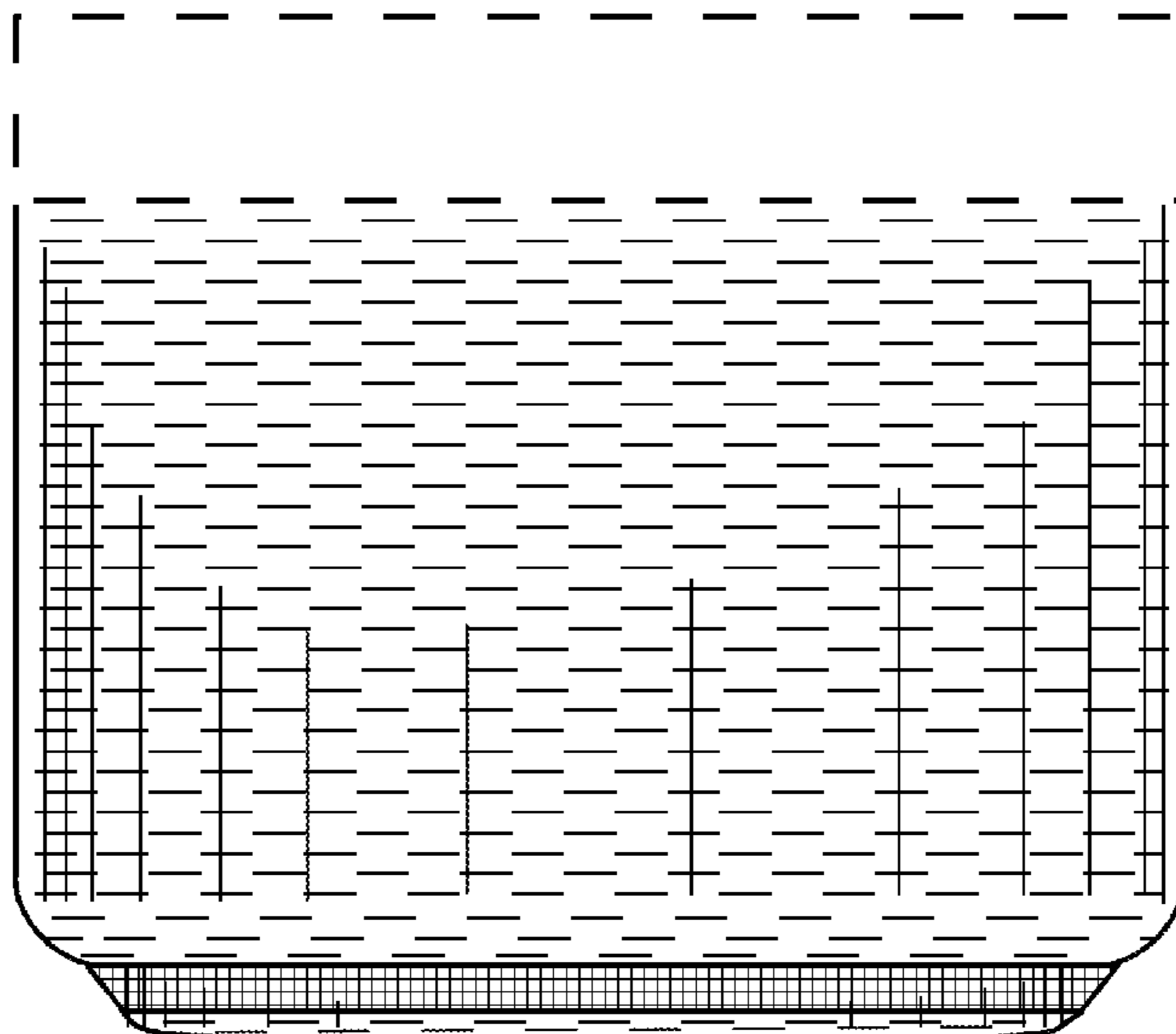
* cited by examiner

Primary Examiner — Zenia Bennett
(74) *Attorney, Agent, or Firm* — Edward S. Sherman

(57) **CLAIM**
The ornamental design for a banded cooking vessel, as shown and described.

DESCRIPTION
FIG. 1 is an elevation view of the 1st embodiment of the “banded cooking vessel”, showing my new design;
FIG. 2 is a top plan view of the 1st embodiment thereof;
FIG. 3 is a bottom plan view of the 1st embodiment thereof;
FIG. 4 is an elevation view of the 2nd embodiment thereof;
FIG. 5 is a top plan view of the 2nd embodiment thereof;
FIG. 6 is a bottom plan view of the 2nd embodiment thereof;
FIG. 7 is an elevation view of the 3rd embodiment thereof;
FIG. 8 is a top plan view of the 3rd embodiment thereof;
FIG. 9 is a bottom plan view of the 3rd embodiment thereof;
FIG. 10 is an elevation view of the 4th embodiment thereof;
FIG. 11 is a top plan view of the 4th embodiment thereof;
FIG. 12 is a bottom plan view of the 4th embodiment thereof;
FIG. 13 is a perspective view of the bottom of the vessel of the 1st embodiment thereof;
FIG. 14 is a perspective view of the bottom of the vessel of the 2nd embodiment thereof;
FIG. 15 is a perspective view of the bottom of the vessel of the 3rd embodiment thereof; and,
FIG. 16 is a perspective view of the bottom of the vessel in the 4th embodiment.
FIGS. 1, 3, 4, 6, 7, 9, 11 and 12-16 are illustrated with an overlay of line patterns to represent colored bands, wherein the bottom of the cooking vessel has a reflective silver color, the upper portion of the bottom and upward extending sides walls of the vessel have a matte grey color, with a copper colored band intervening between these silver and grey bands.
The broken lines in FIGS. 1, 4, 7, 10, 13-16 are for illustrative purposes only depicting the environment of the new design, forming no part thereof as claimed.

1 Claim, 12 Drawing Sheets



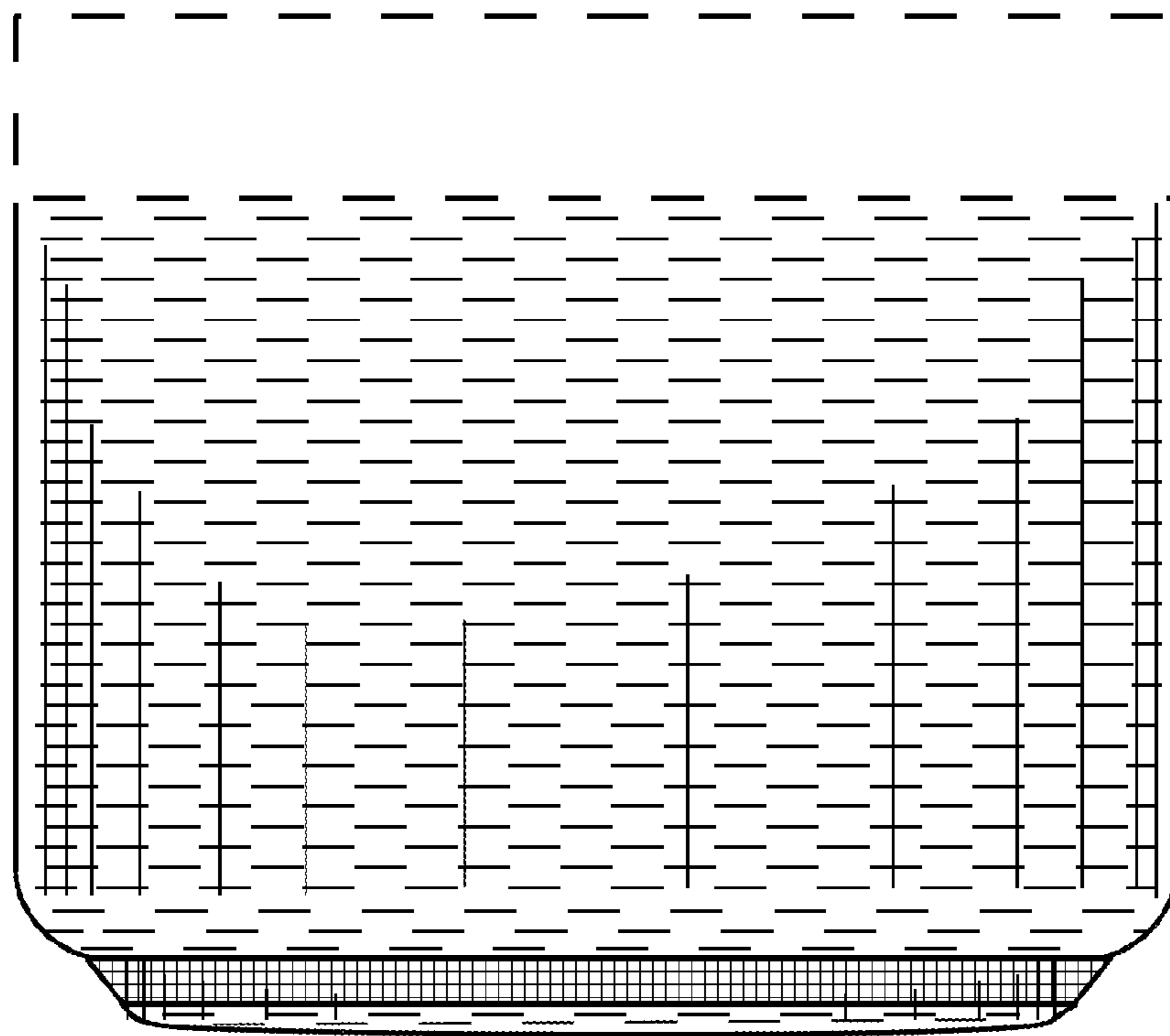


FIG. 1

FIG. 2

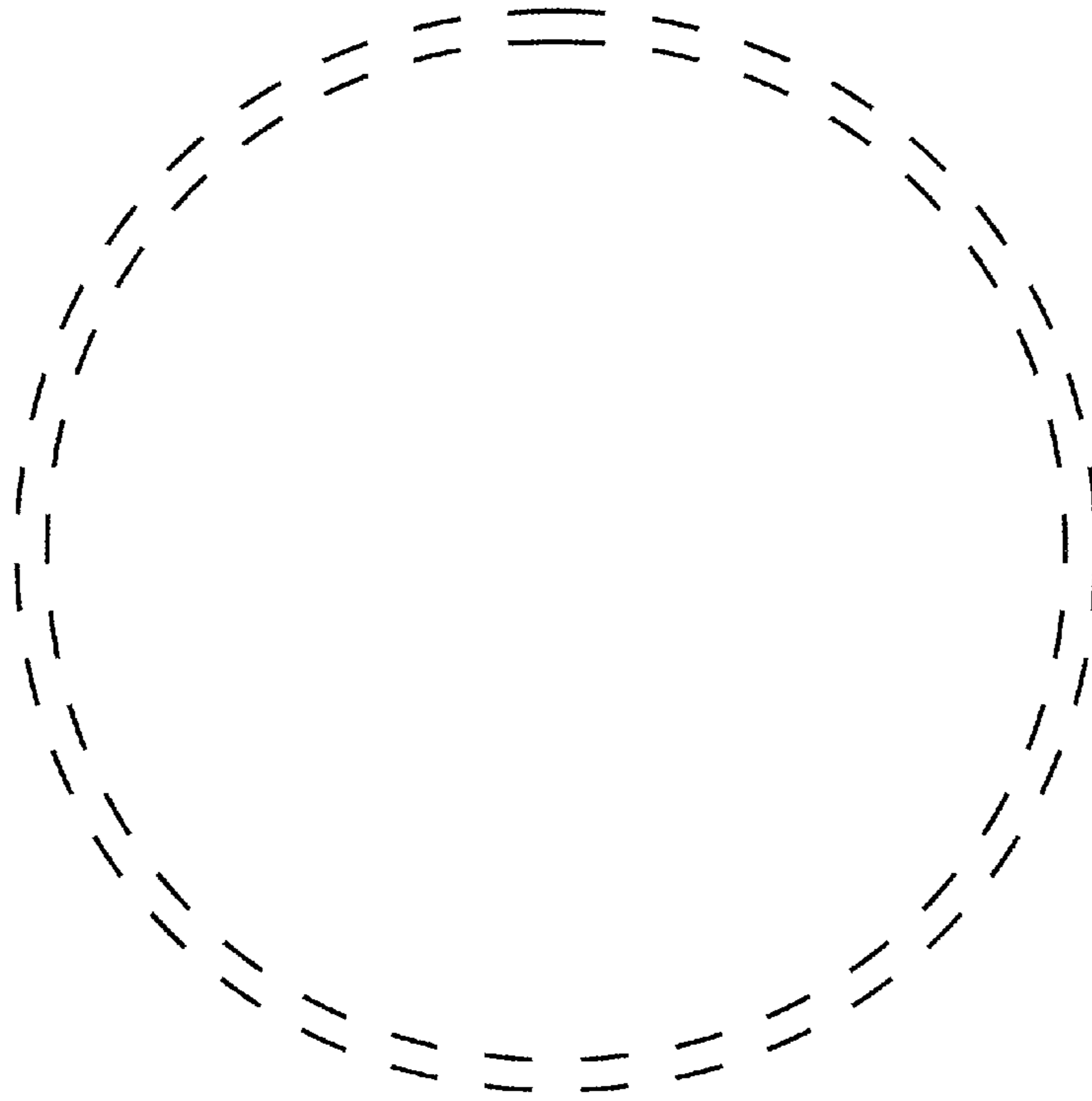
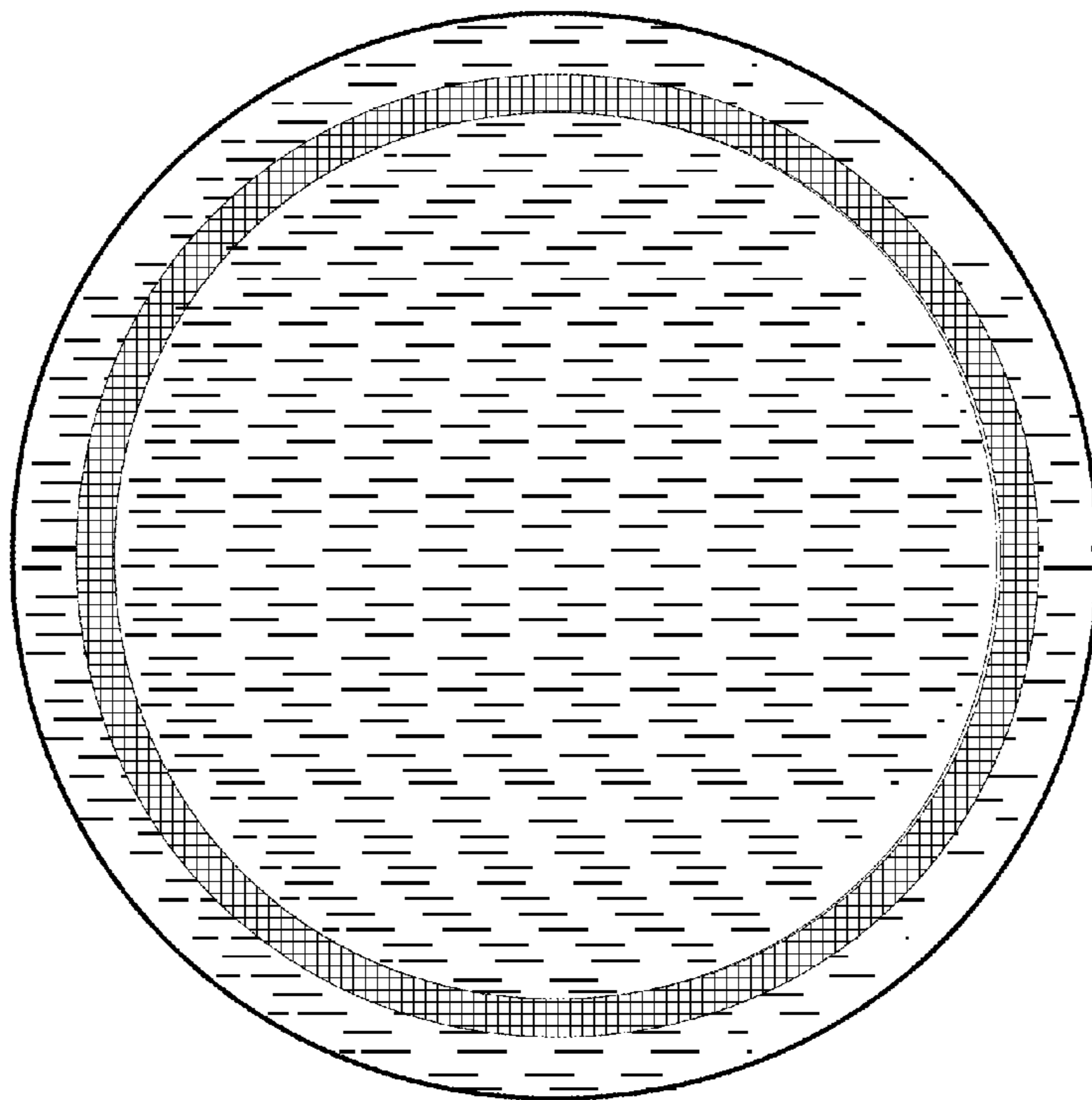


FIG. 3



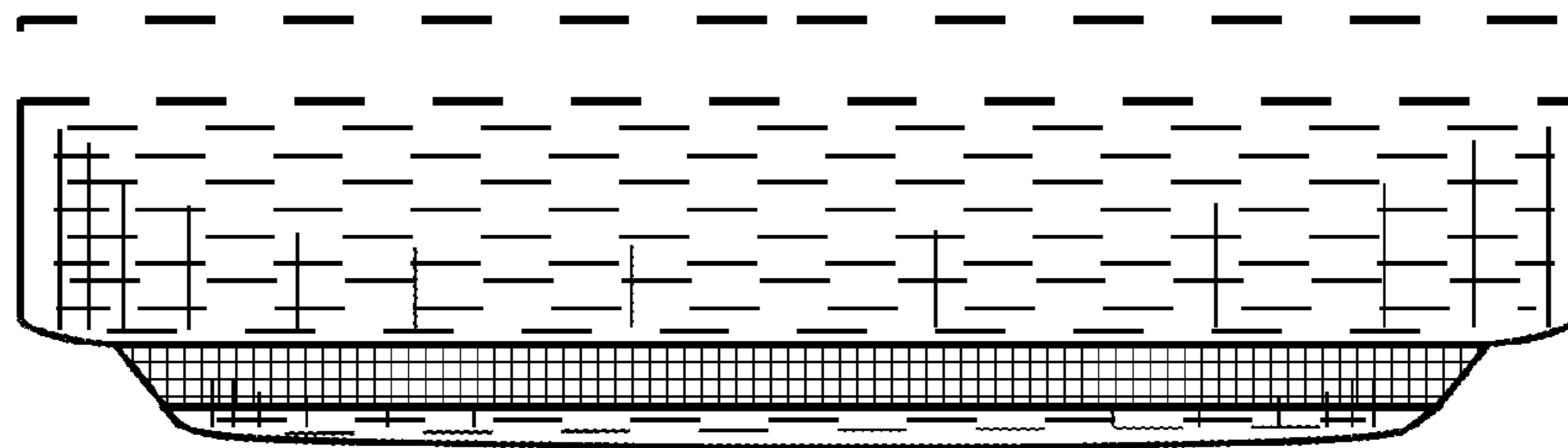


FIG. 4

FIG. 5

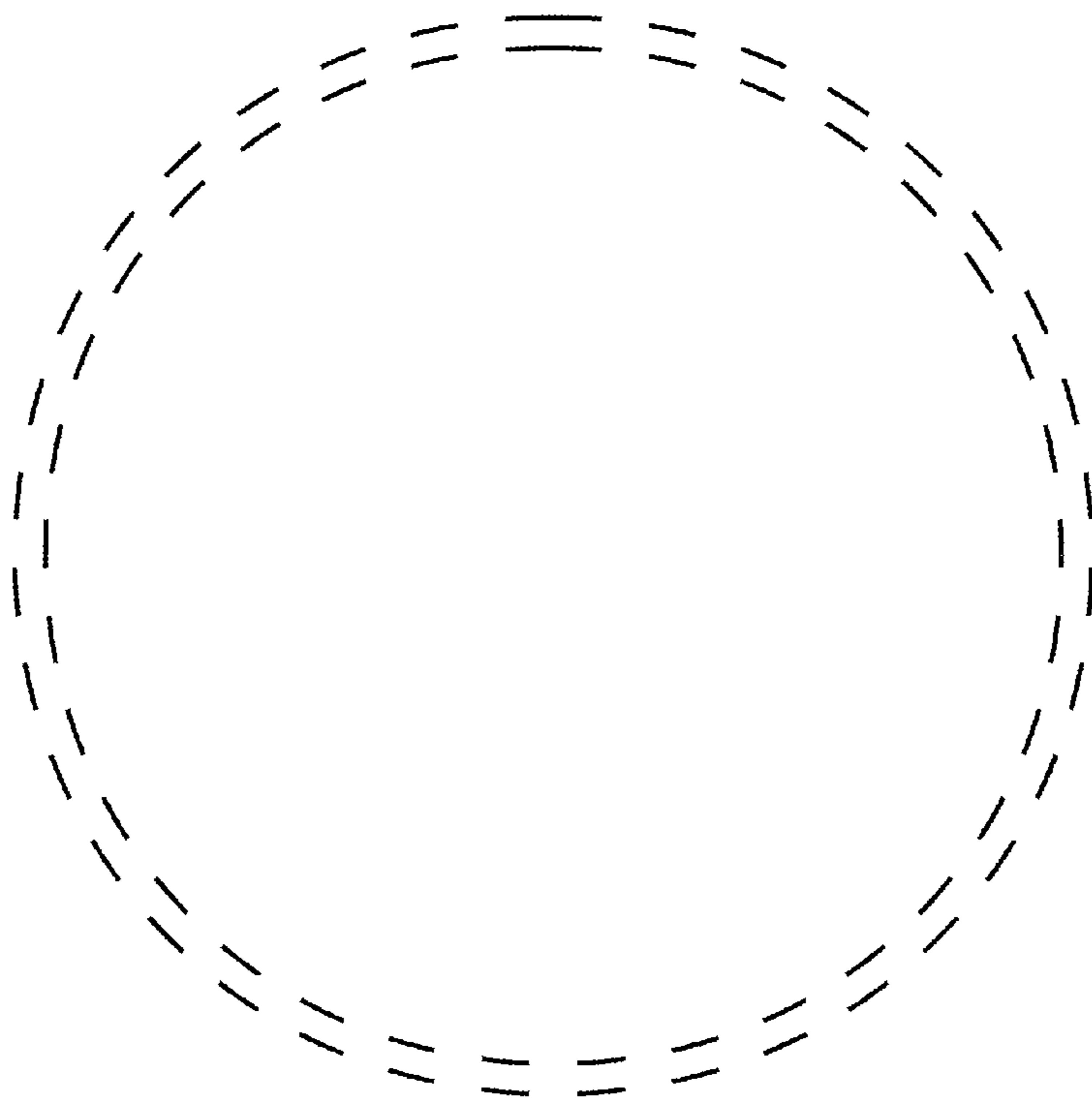
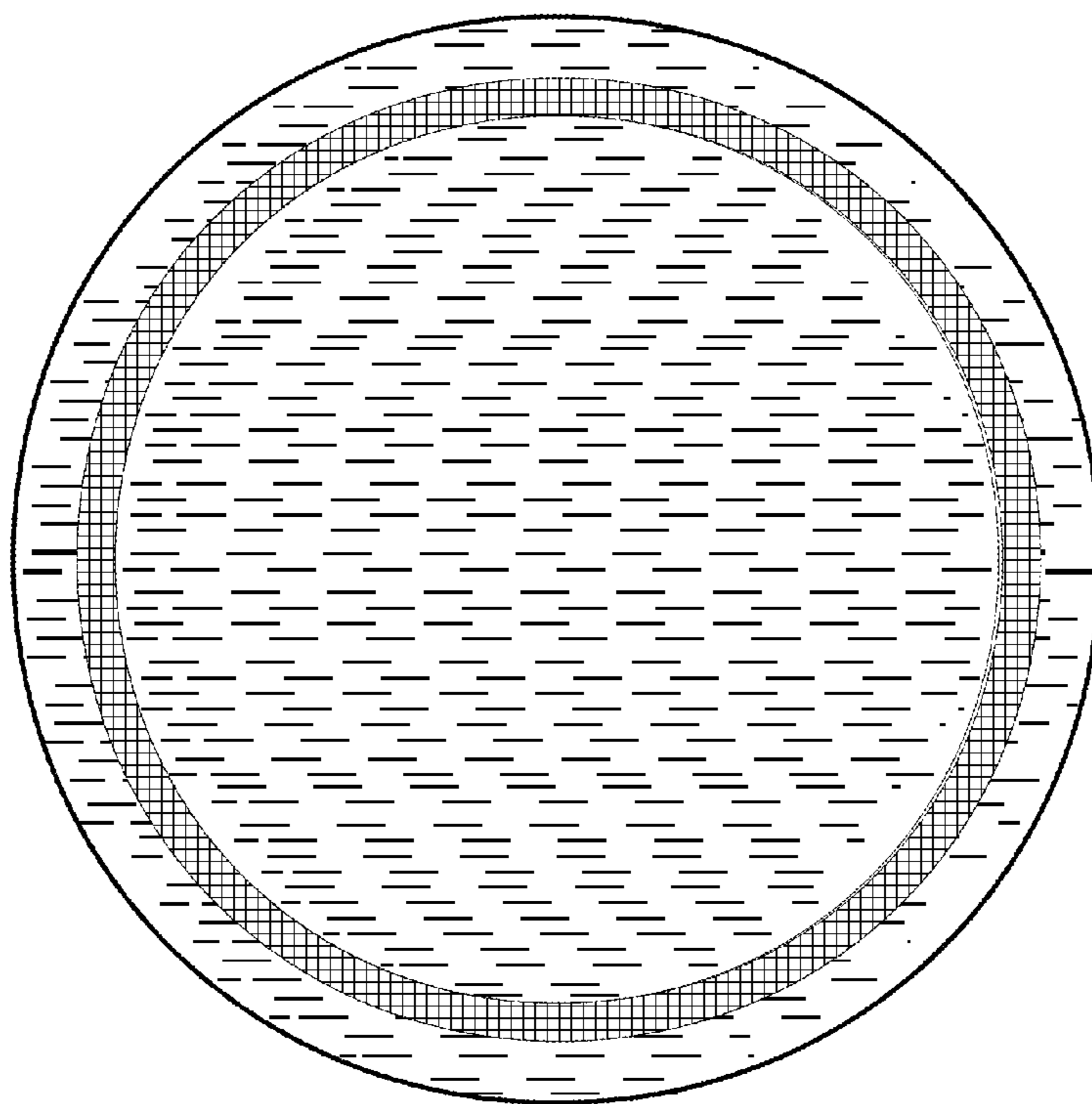


FIG. 6



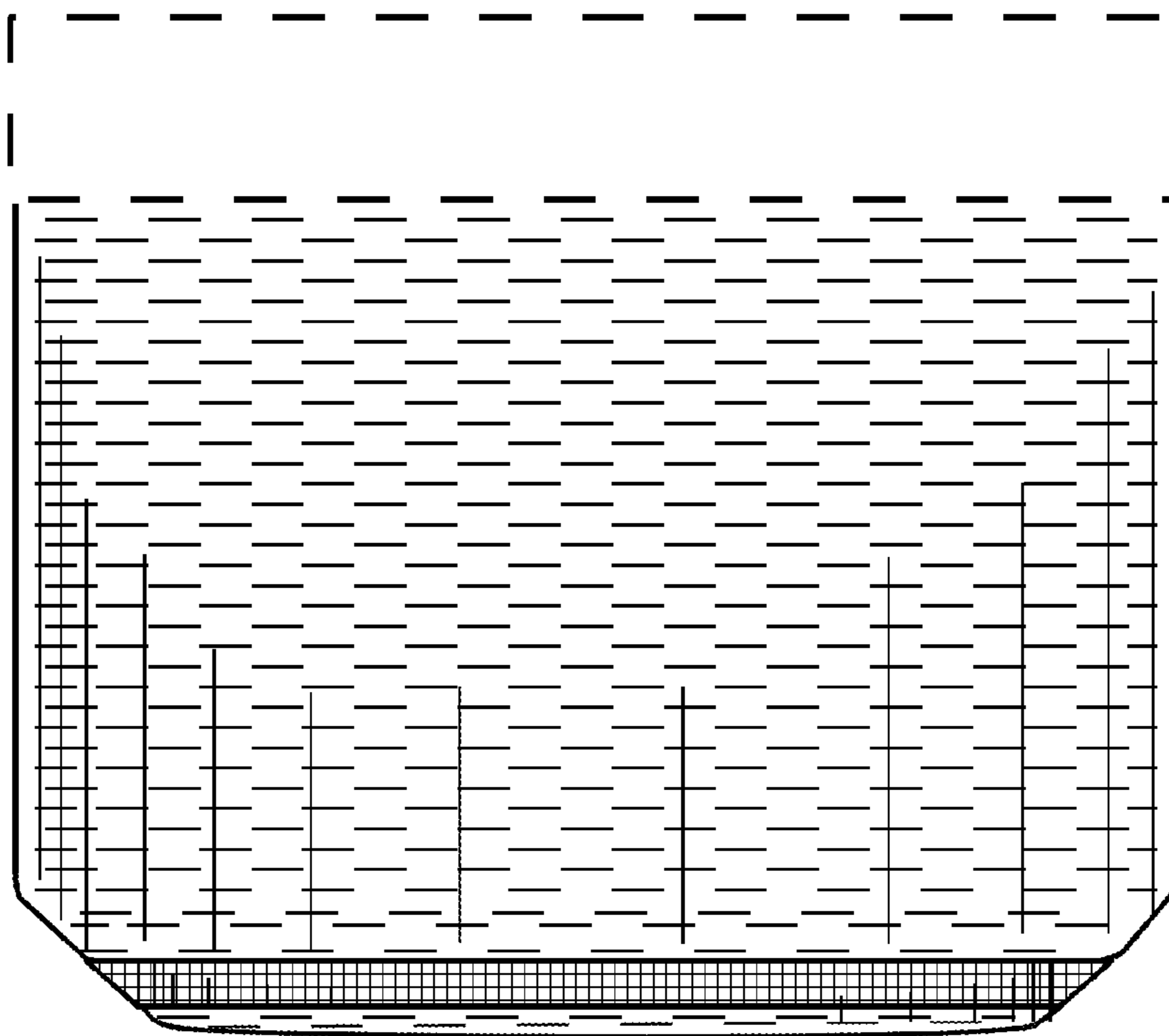


FIG. 7

FIG. 8

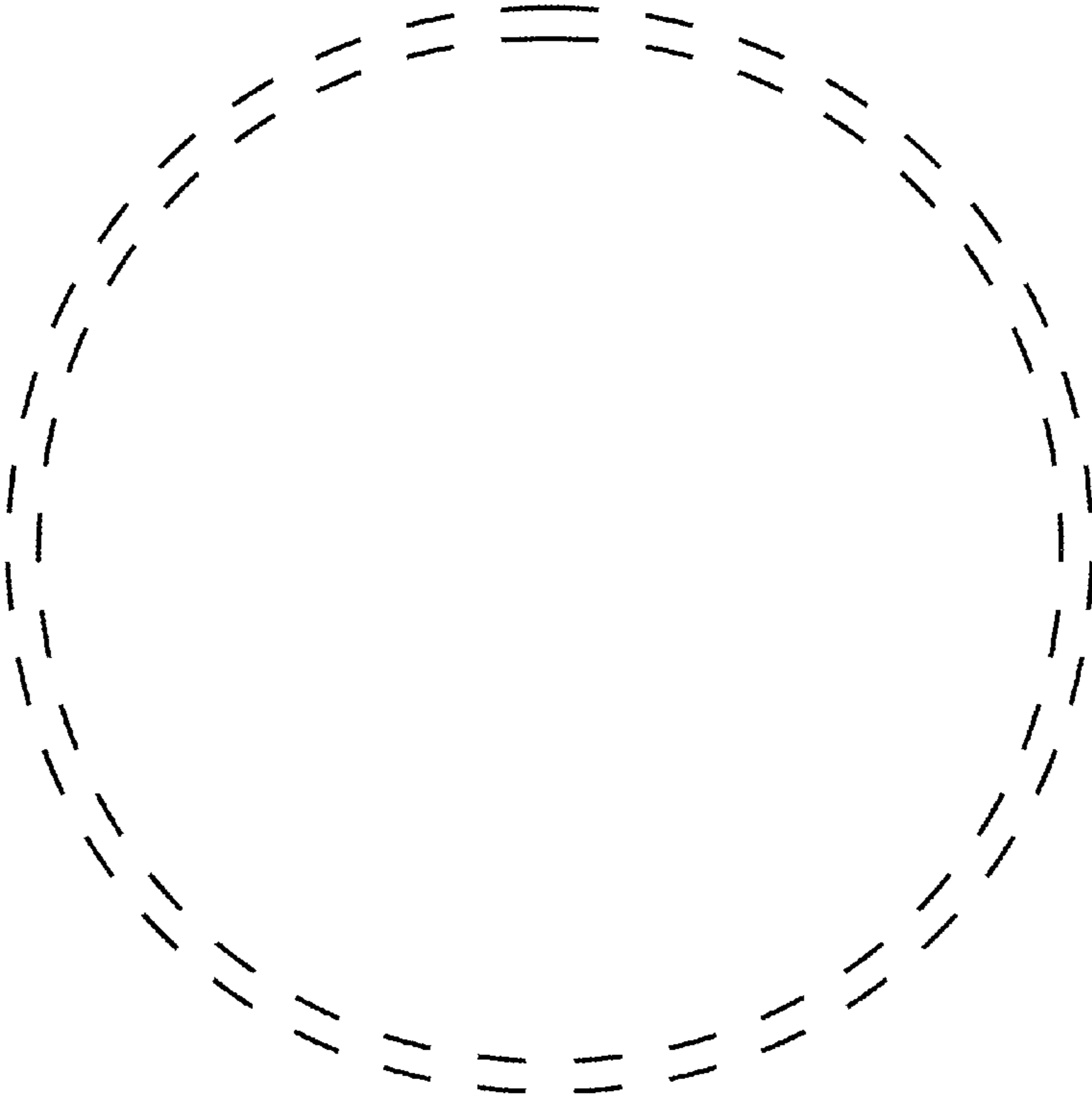
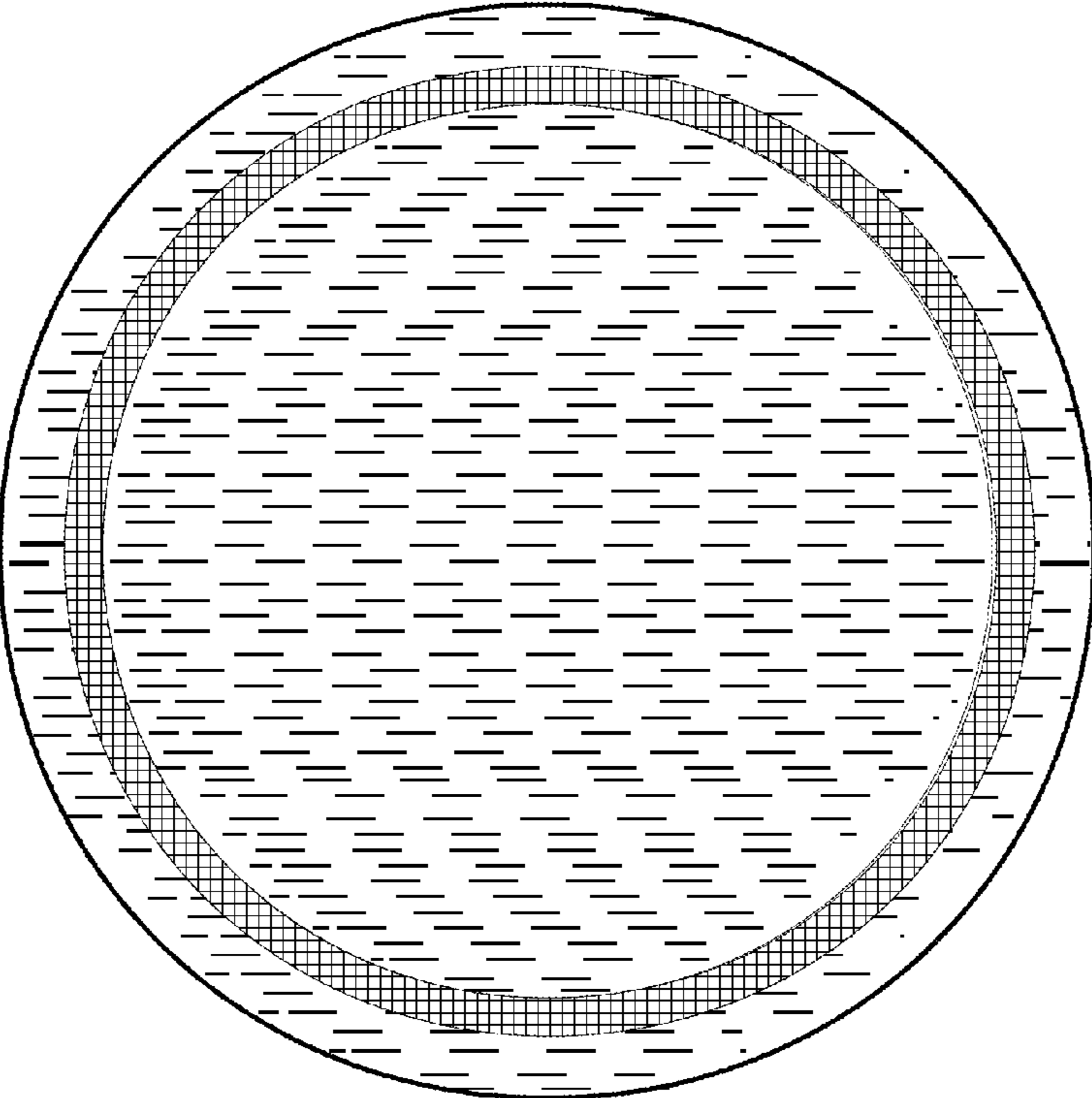


FIG. 9



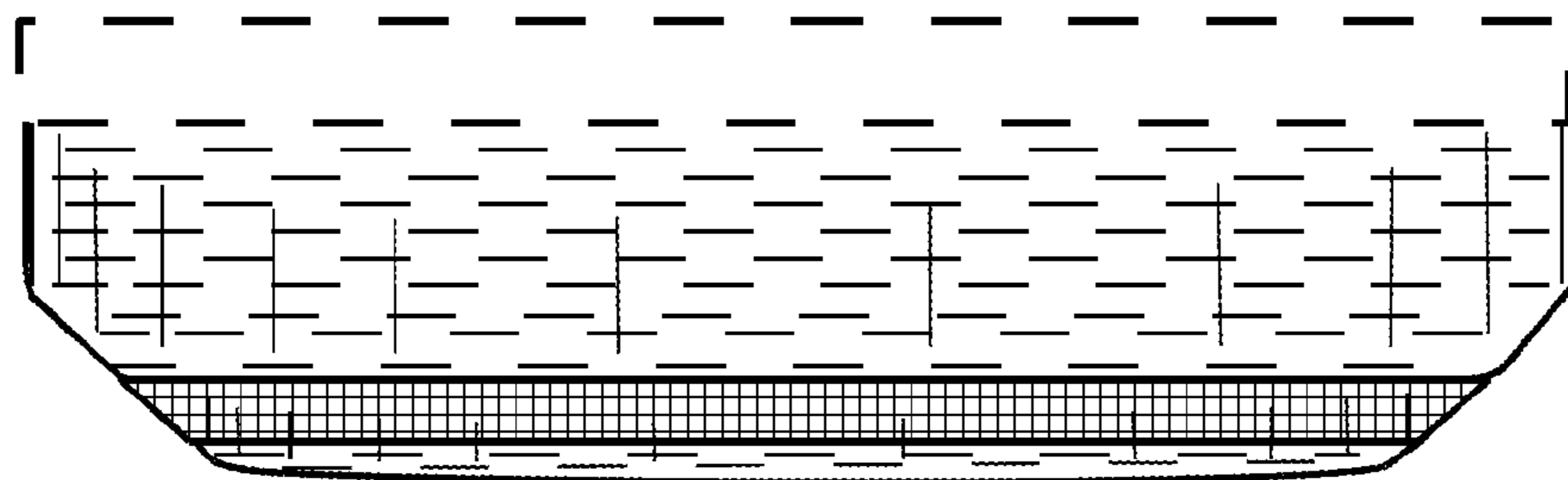


FIG. 10

FIG. 11

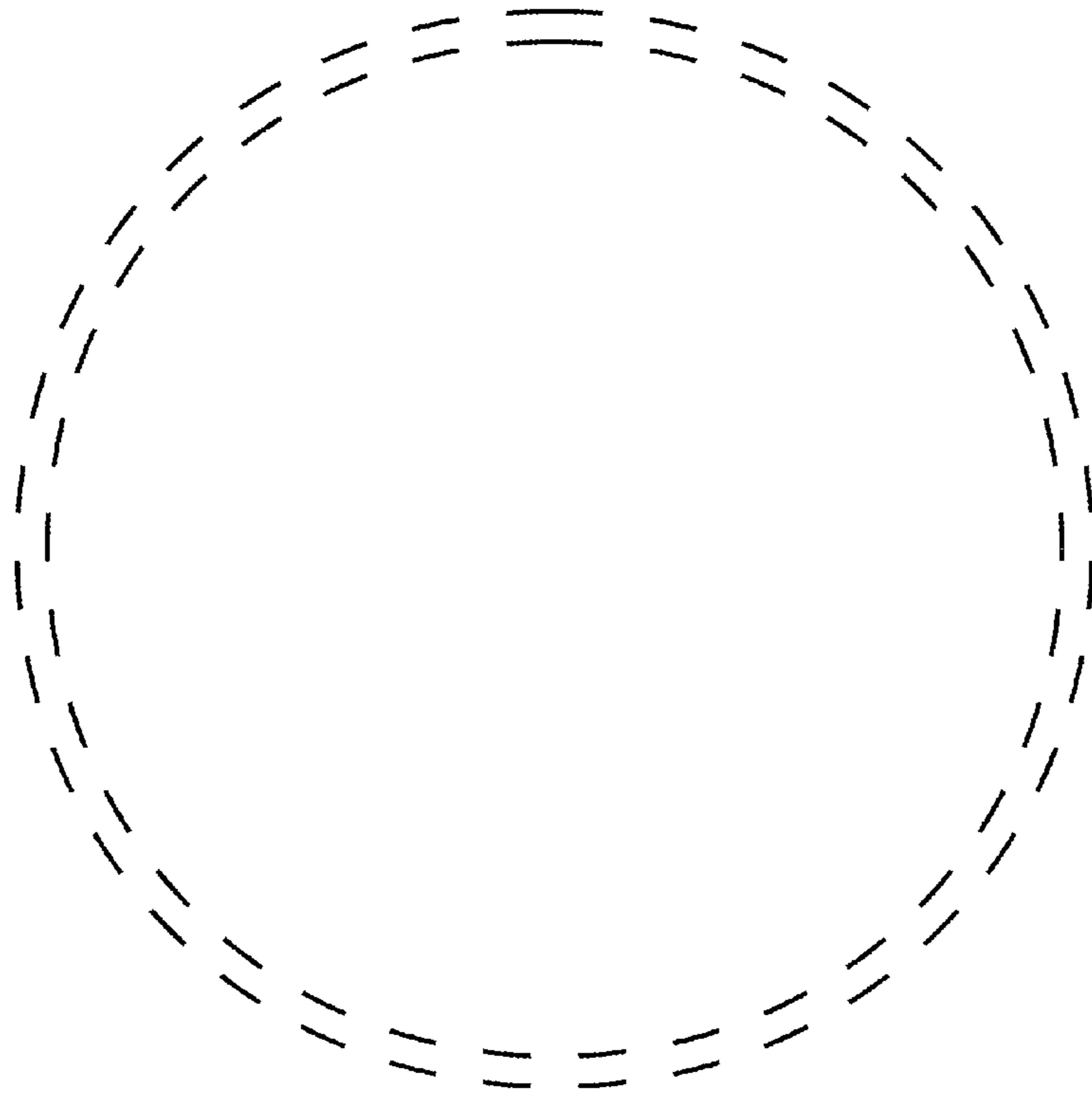
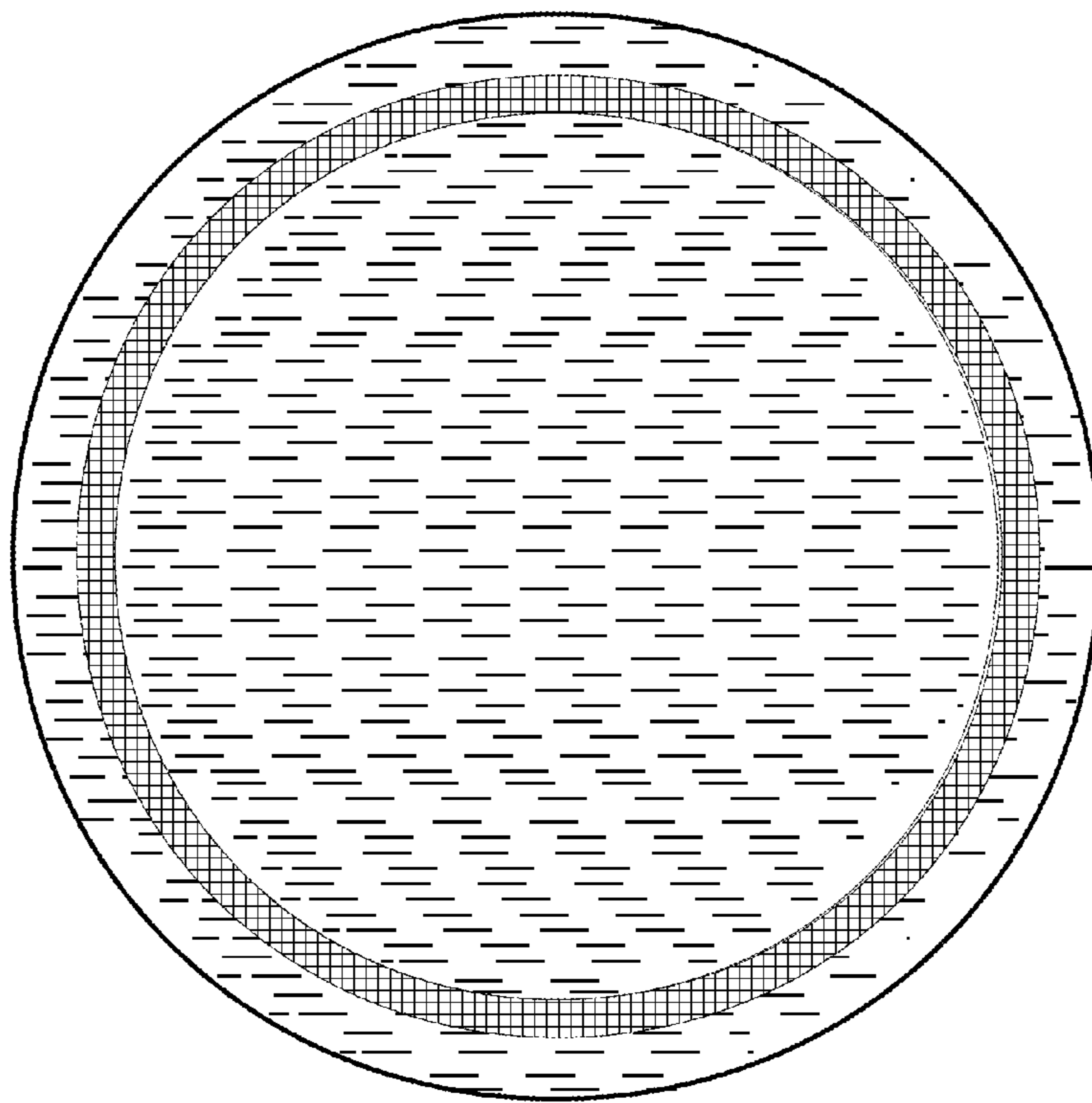


FIG. 12



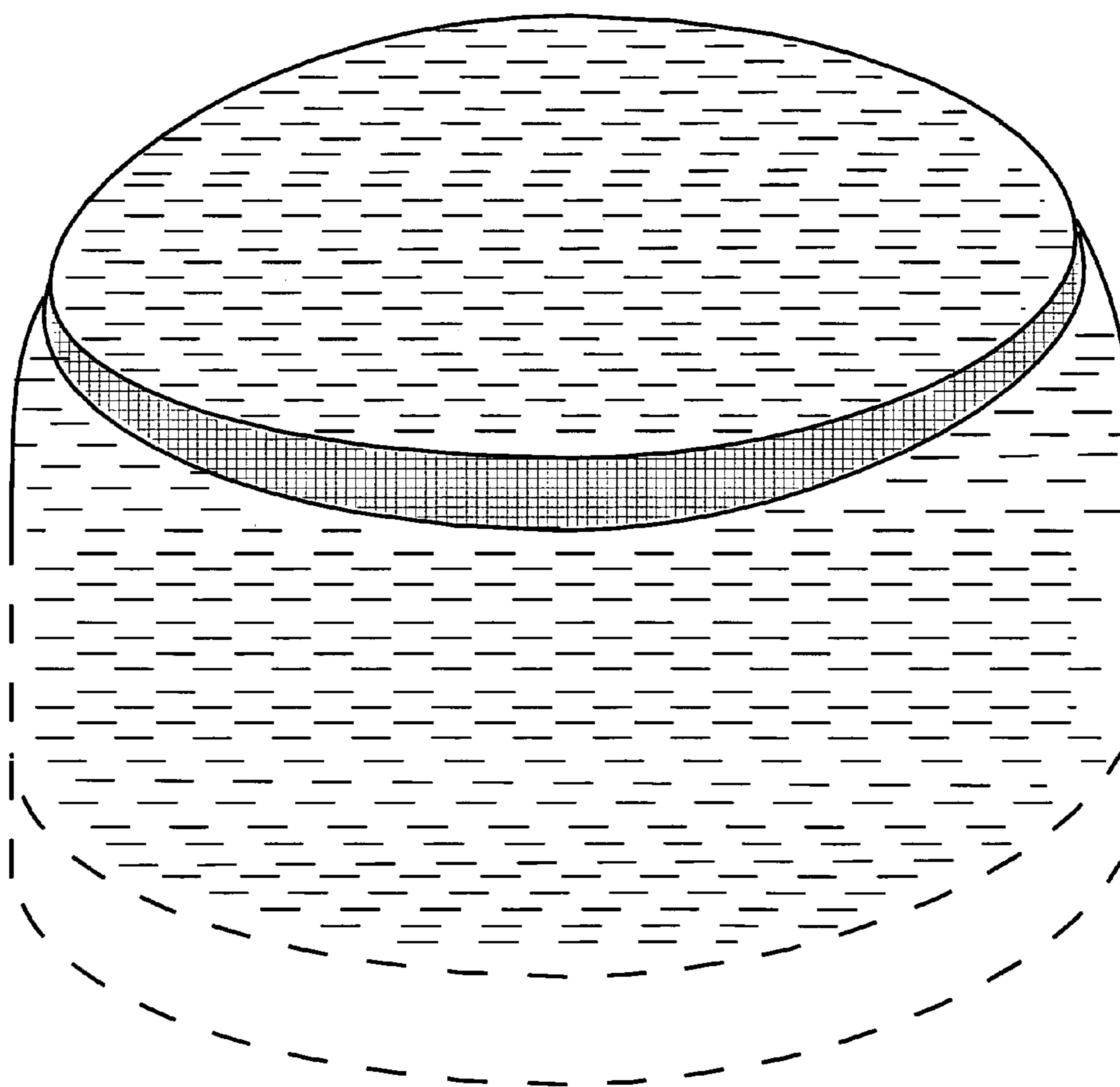


FIG. 13

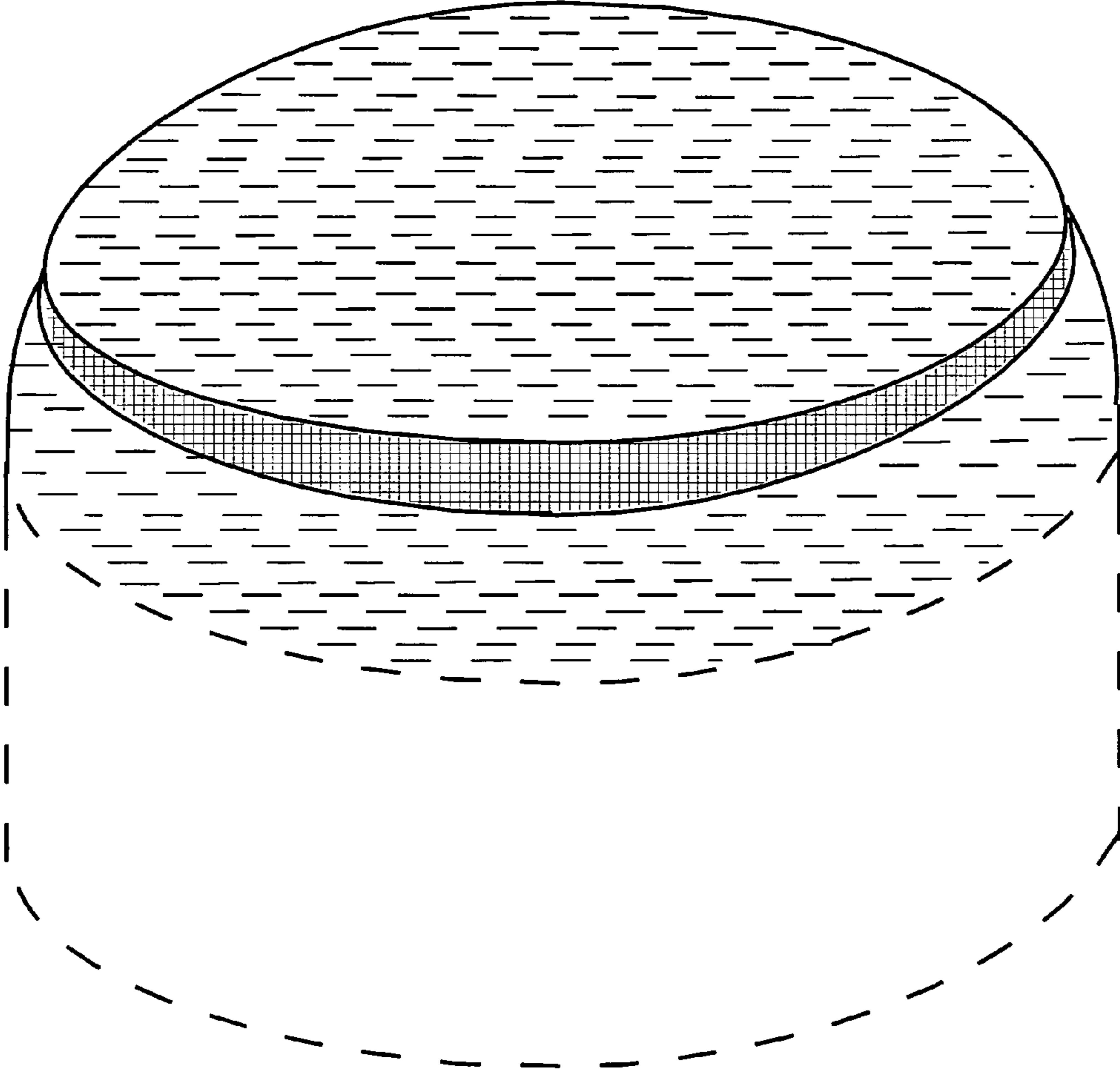


FIG. 14

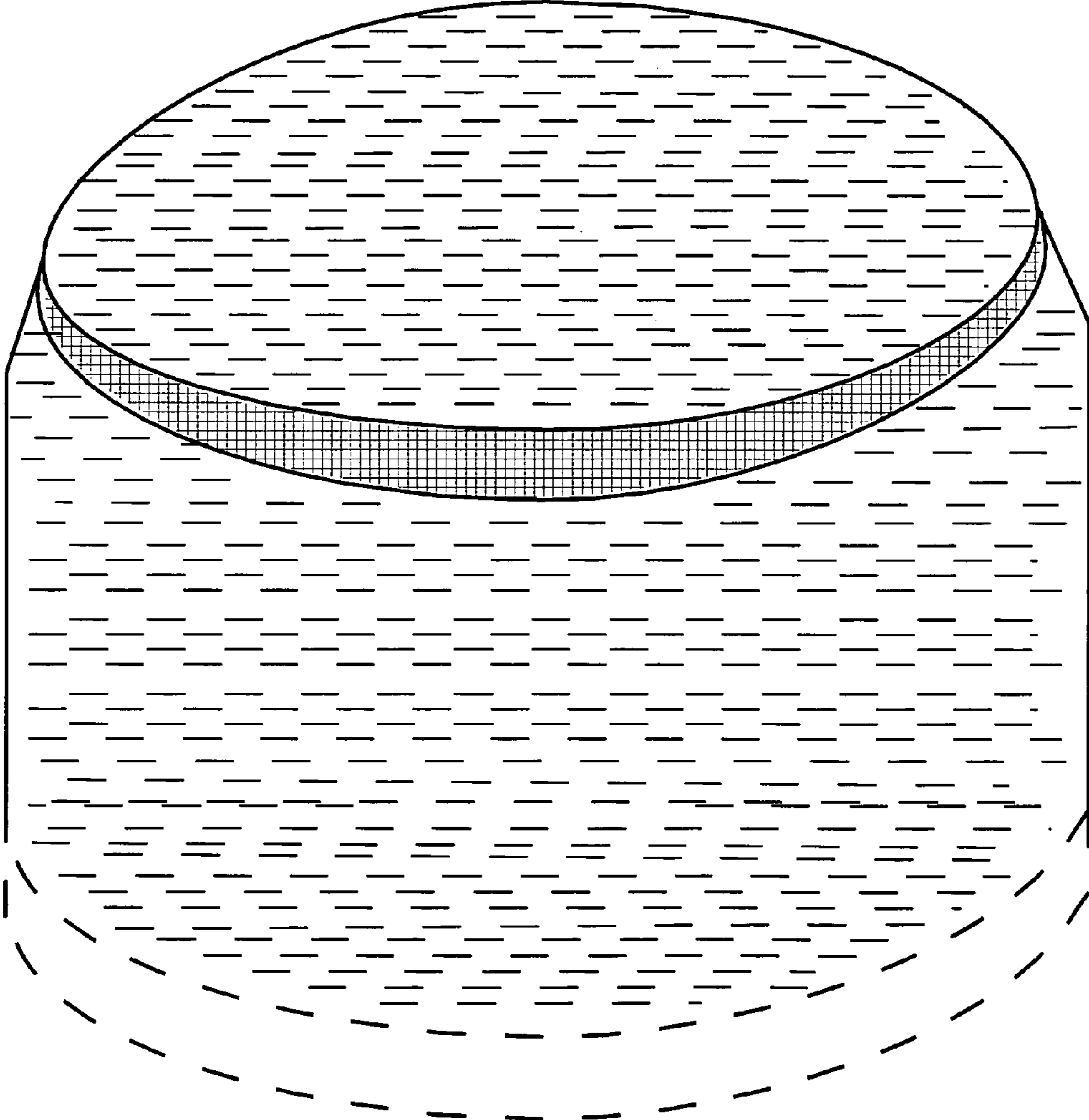


FIG. 15

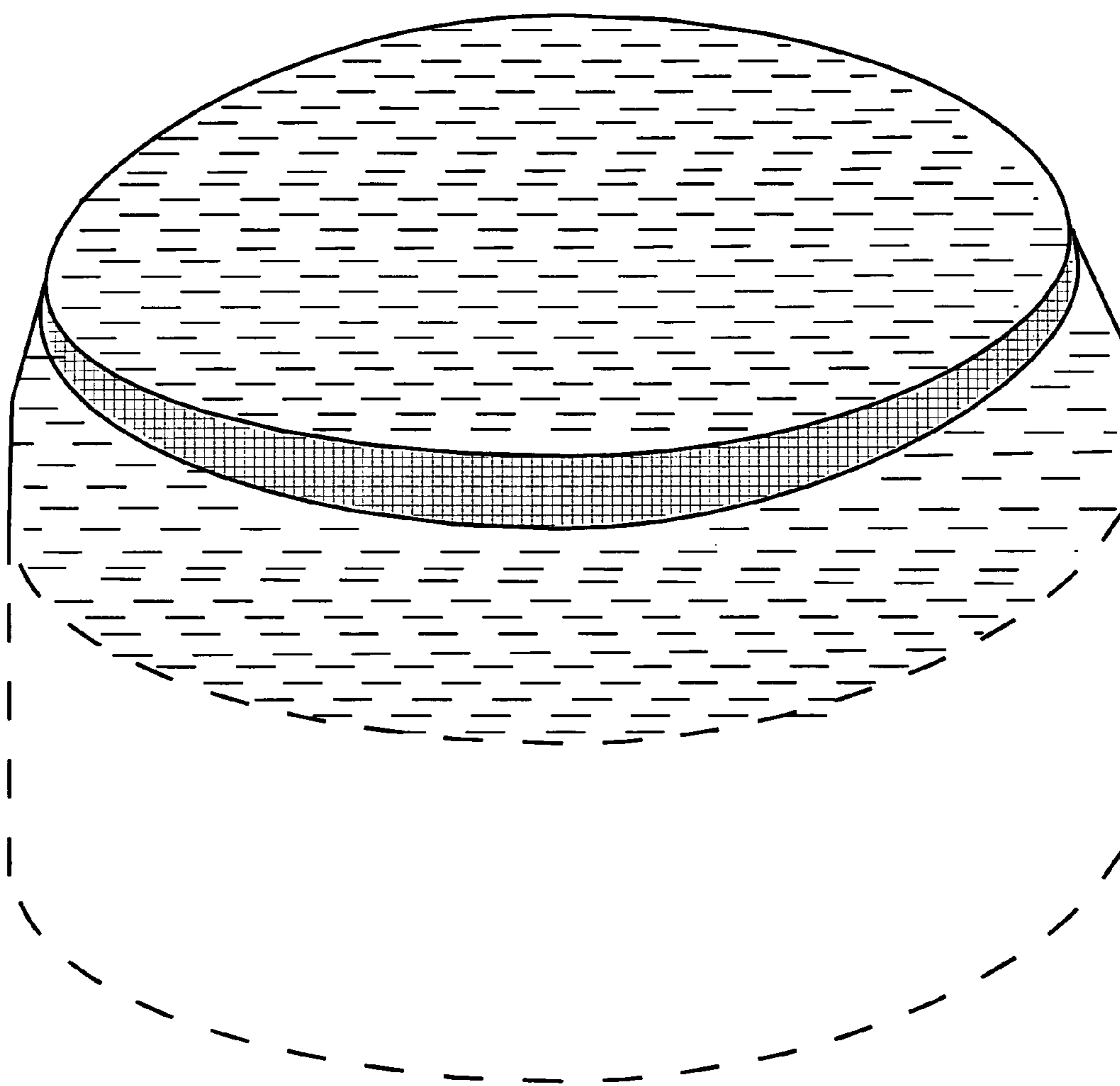


FIG. 16