



US00D652669S

(12) **United States Design Patent**
Bardazzi et al.

(10) **Patent No.:** **US D652,669 S**
(45) **Date of Patent:** **** Jan. 24, 2012**

(54) **ESPRESSO COFFEE MACHINE**

(56) **References Cited**

(75) Inventors: **Bruno Bardazzi**, S. Plero a Sleeve Fl
(IT); **Alessandro Doria**, Milan MI (IT)

(73) Assignee: **Espressocap S.p.A.**, Milan (IT)

(**) Term: **14 Years**

(21) Appl. No.: **29/381,266**

(22) Filed: **Dec. 16, 2010**

(30) **Foreign Application Priority Data**

Jul. 2, 2010 (EM) 001727439-0002

(51) **LOC (9) Cl.** **07-01**

(52) **U.S. Cl.** **D7/309; D7/311**

(58) **Field of Classification Search** D7/300,
D7/306-308, 309-311, 313, 305, 378; 222/1,
222/129.1, 146.6; 99/279

See application file for complete search history.

U.S. PATENT DOCUMENTS

D560,950 S *	2/2008	Schwamkrug	D7/309
D565,886 S *	4/2008	Bardazzi et al.	D7/309
D587,510 S *	3/2009	Lam	D7/309
D596,442 S *	7/2009	Cahen	D7/309
D604,985 S *	12/2009	Taylor et al.	D7/309
D644,058 S *	8/2011	Cahen	D7/309

* cited by examiner

Primary Examiner — Marianne Pandozzi

(74) *Attorney, Agent, or Firm* — Steinfl & Bruno LLP

(57) **CLAIM**

The ornamental design for the espresso coffee machine, as shown and described.

DESCRIPTION

FIG. 1 is a perspective view of an espresso coffee machine showing our new design;

FIG. 2 is a front view of the espresso coffee machine.

FIG. 3 is a rear view of the espresso coffee machine.

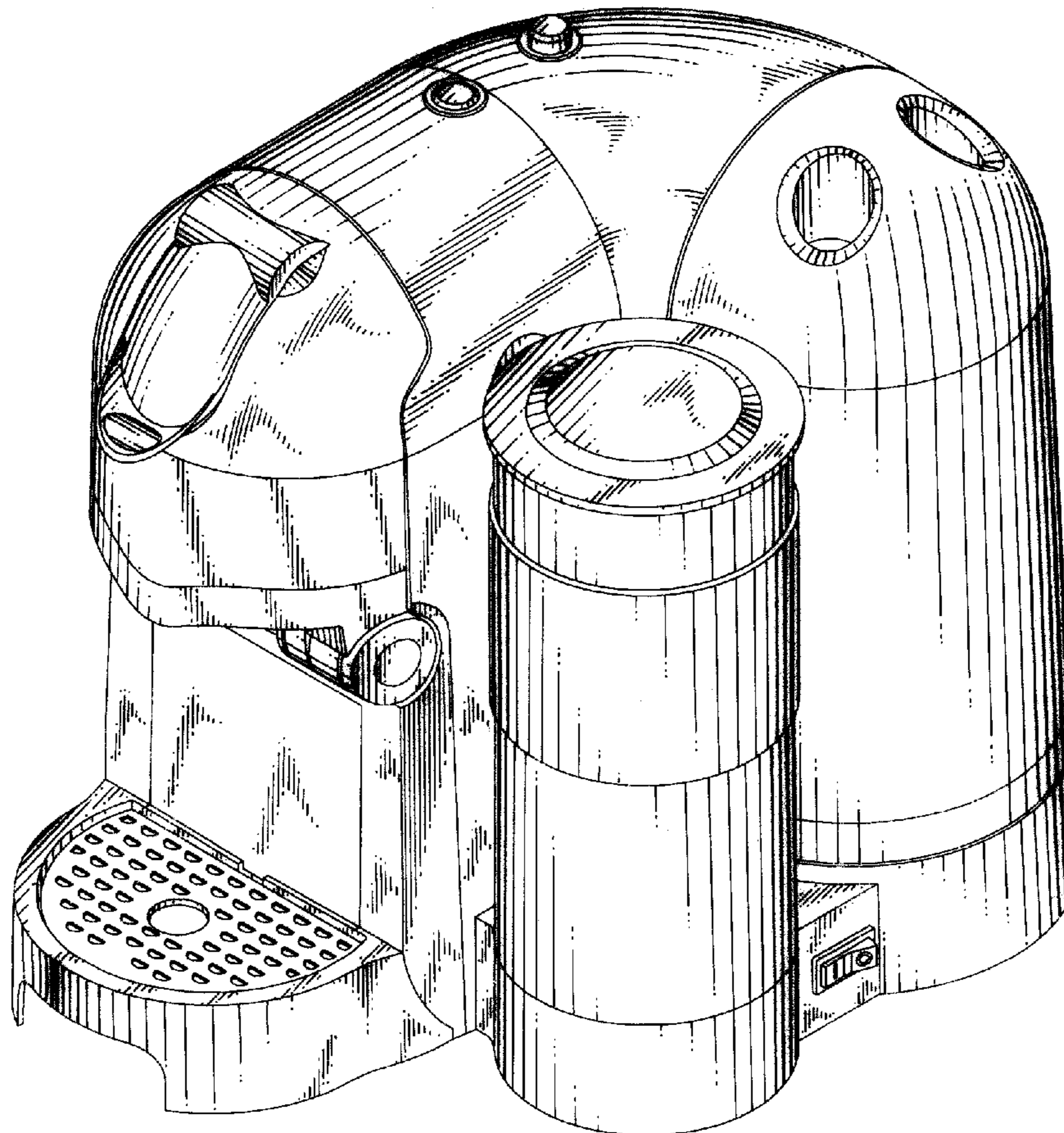
FIG. 4 is a left-side view of the espresso coffee machine.

FIG. 5 is a right-side view of the espresso coffee machine.

FIG. 6 is a top view of the espresso coffee machine; and,

FIG. 7 is a bottom view of the espresso coffee machine.

1 Claim, 7 Drawing Sheets



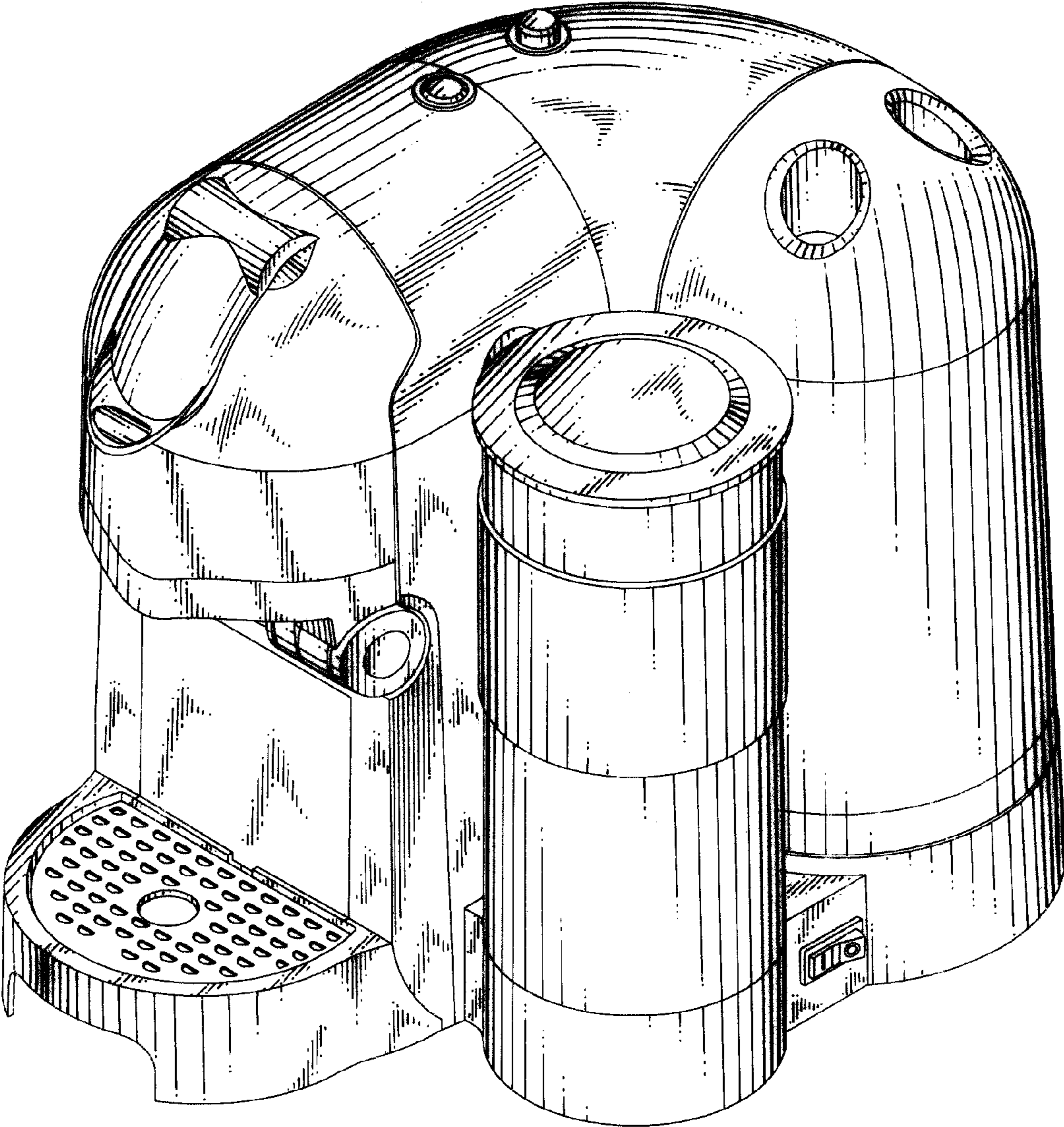


FIGURE 1

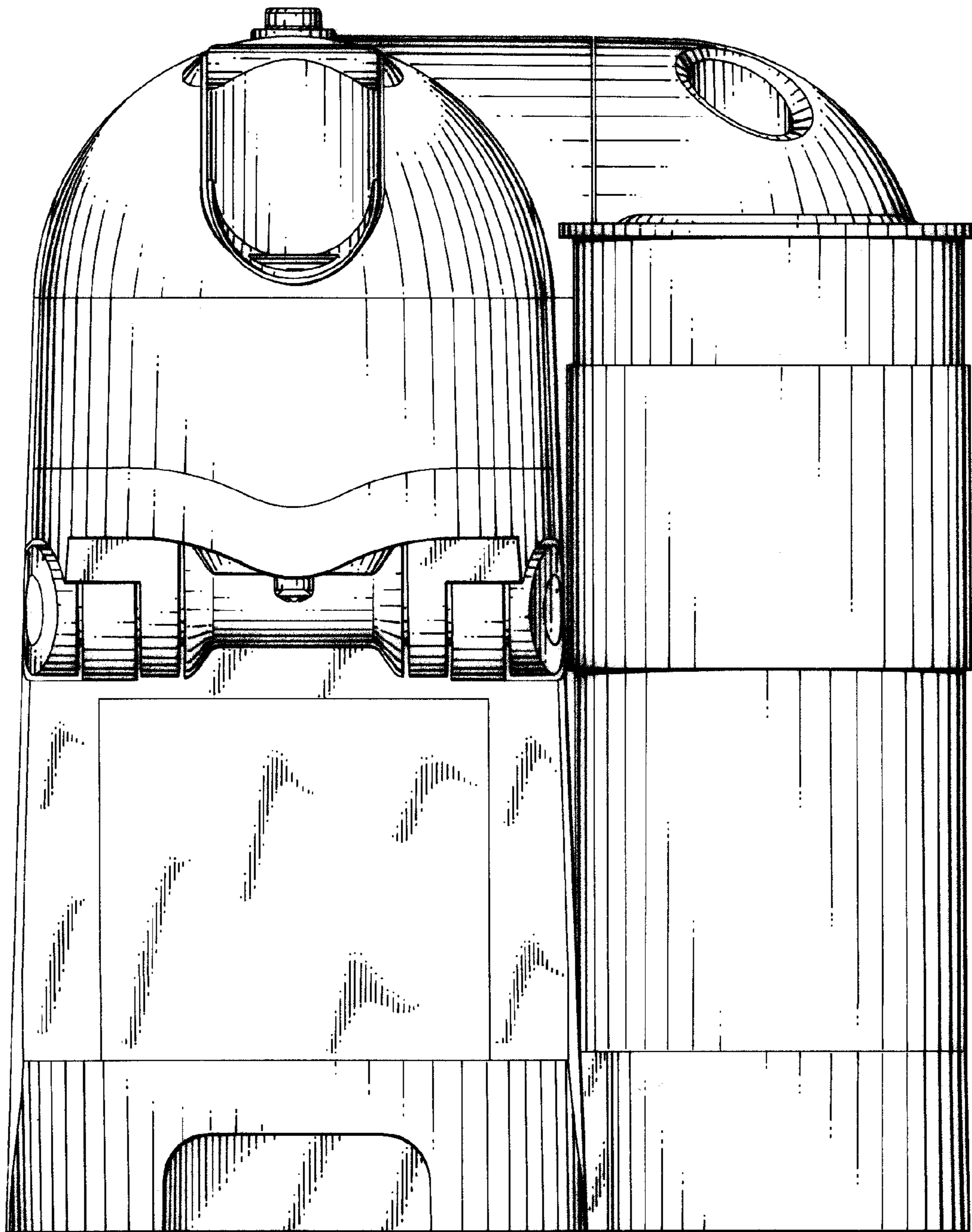


FIGURE 2

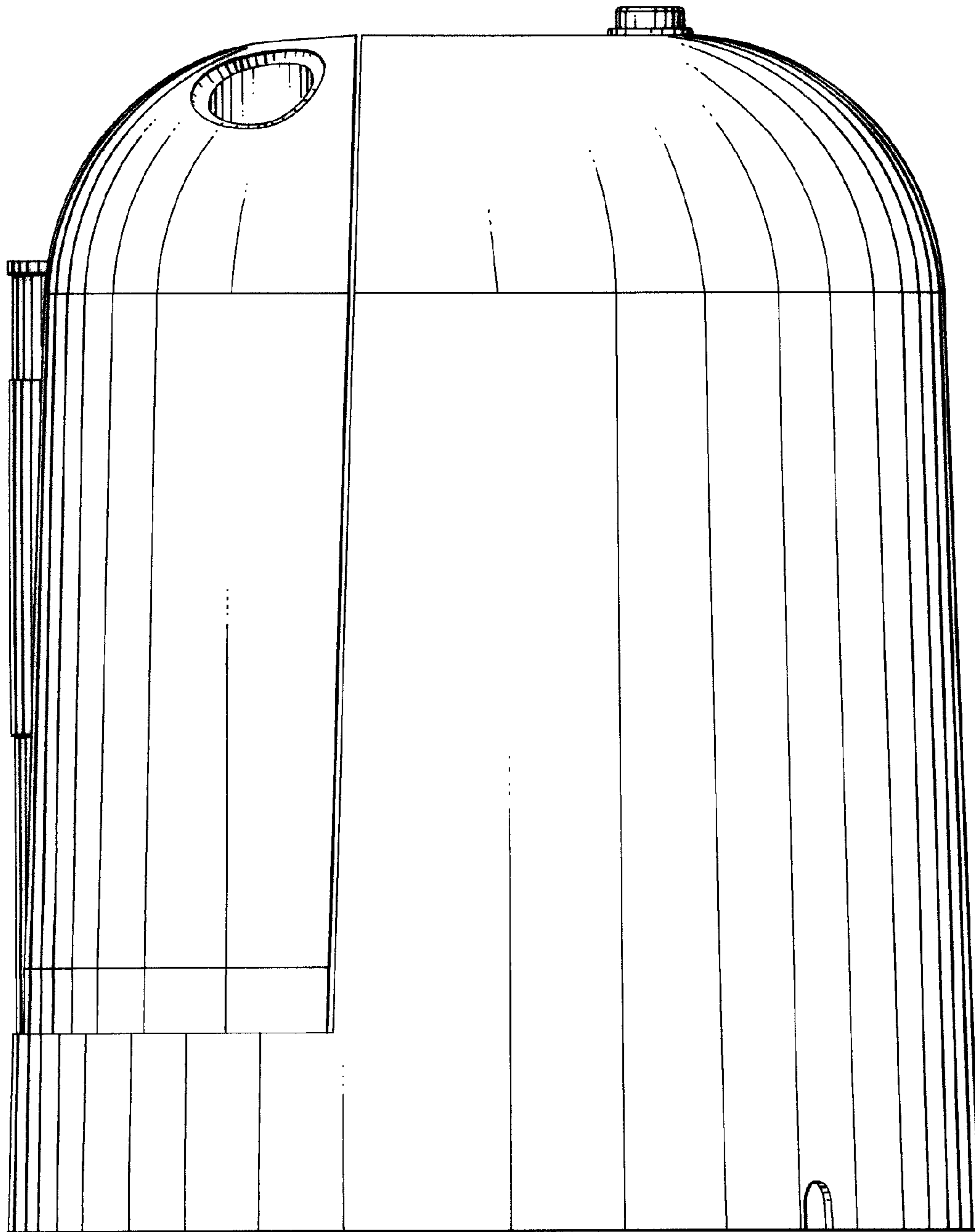


FIGURE 3

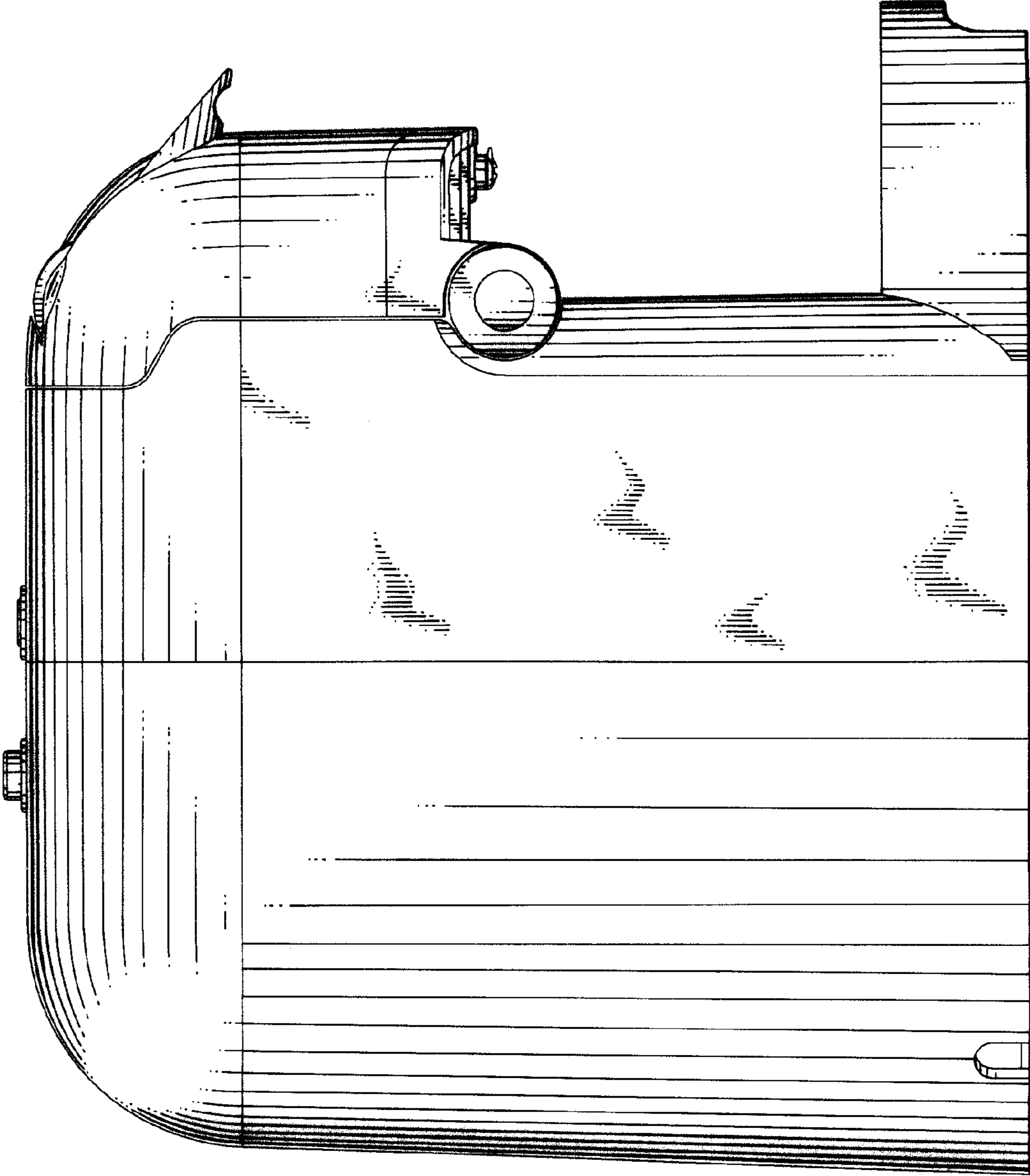


FIGURE 4

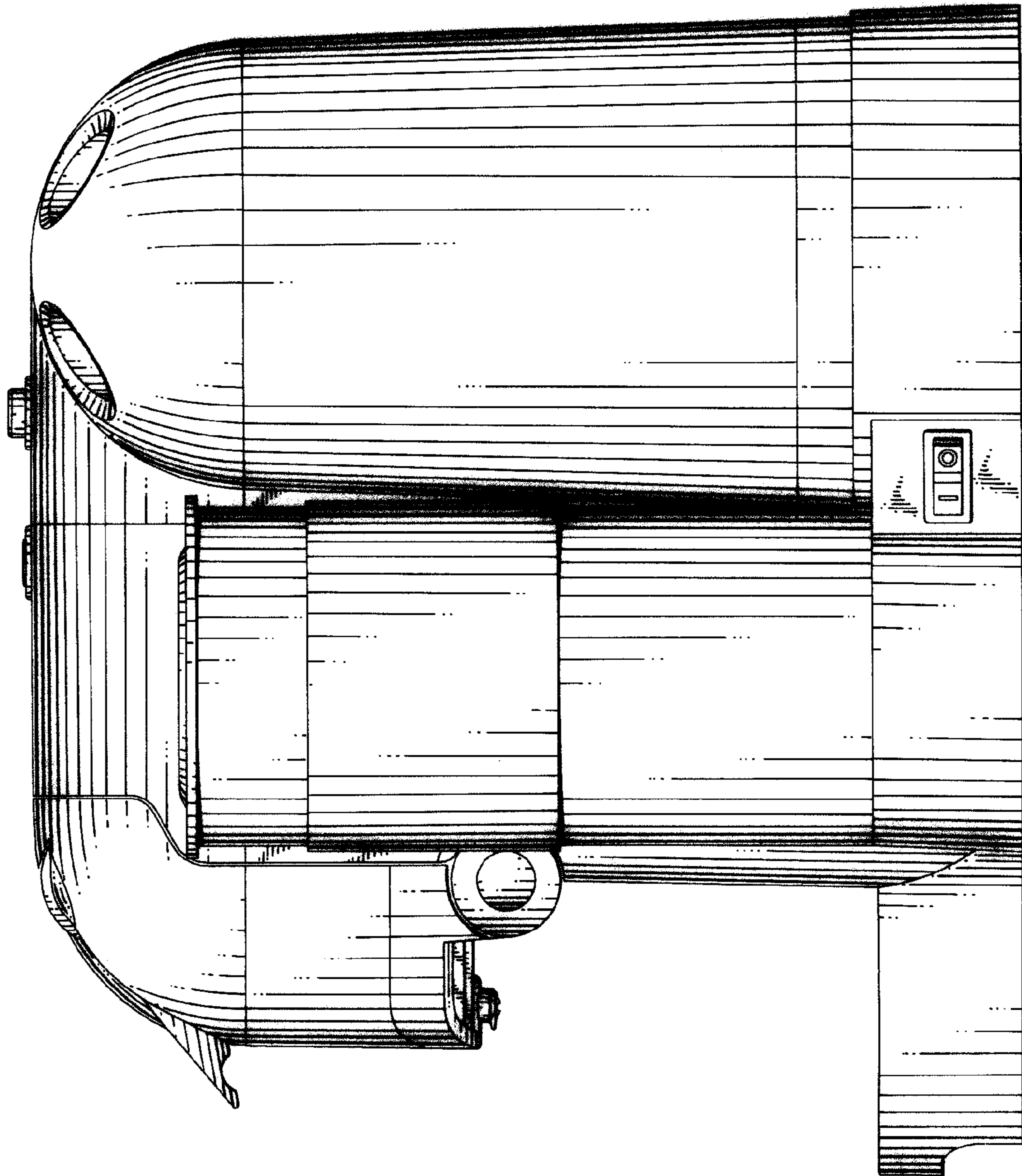


FIGURE 5

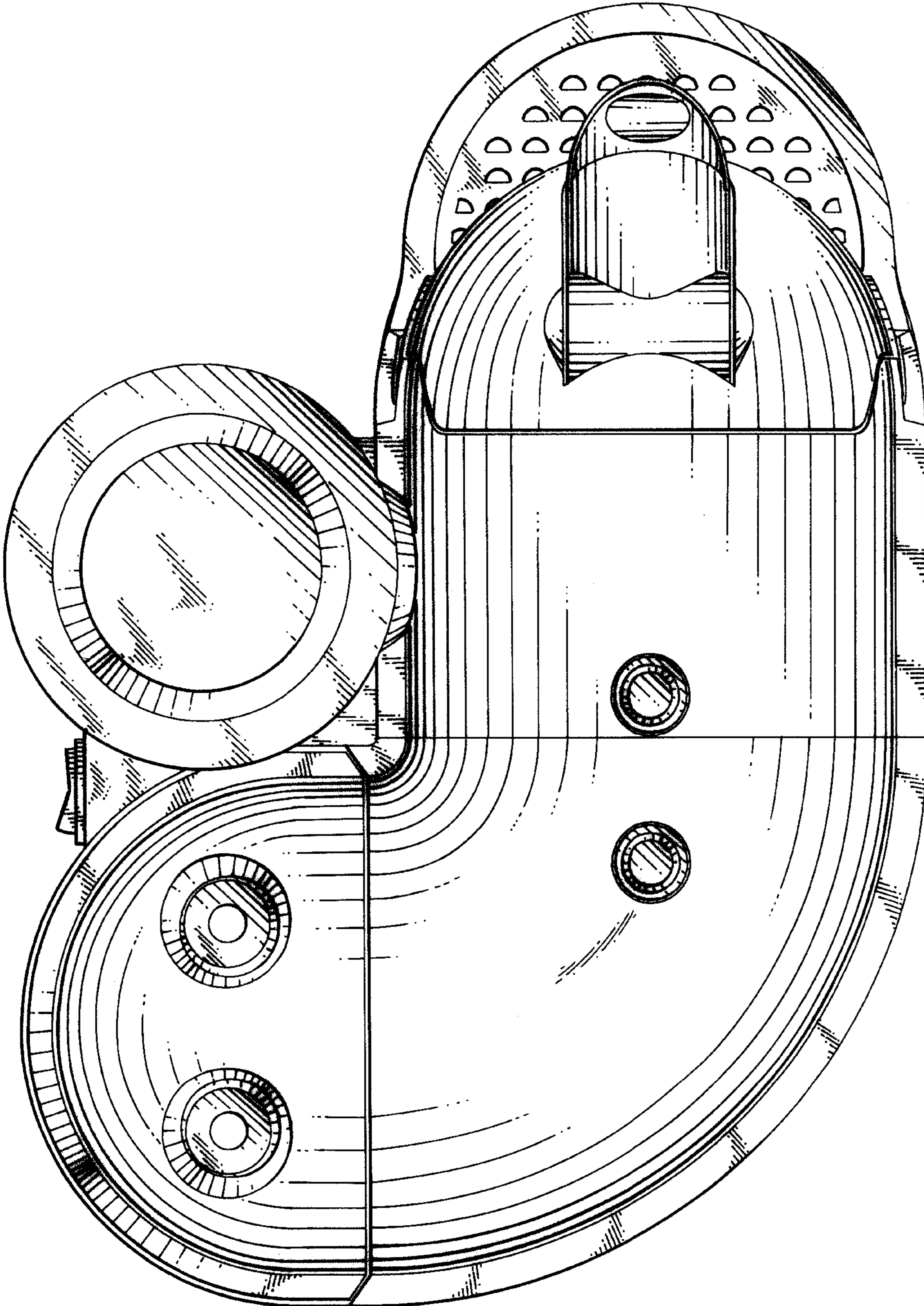


FIGURE 6

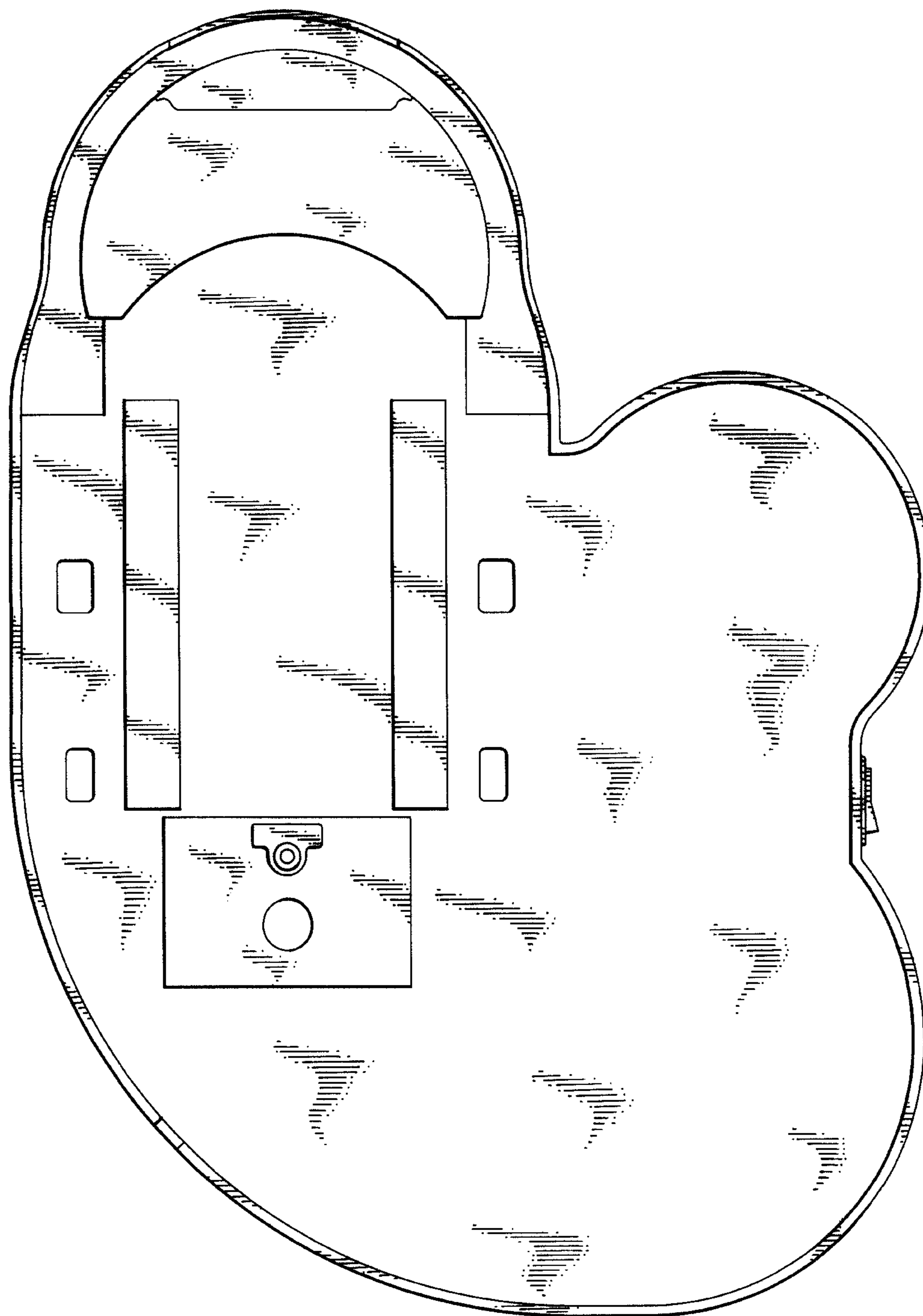


FIGURE 7