



US00D652667S

(12) **United States Design Patent**  
**Schwartz**

(10) **Patent No.:** **US D652,667 S**

(45) **Date of Patent:** **\*\* Jan. 24, 2012**

(54) **GRILL COVER**

(76) Inventor: **Gilbert Schwartz**, Dublin, OH (US)

(\*\*) Term: **14 Years**

(21) Appl. No.: **29/392,655**

(22) Filed: **May 25, 2011**

(51) **LOC (9) Cl.** ..... **06-13**

(52) **U.S. Cl.** ..... **D6/610**

(58) **Field of Classification Search** ..... D6/610,  
D6/611, 596, 601, 602, 603, 615, 617, 621;  
D12/401-405; 135/87, 88.01, 95; 150/165-167,  
150/158, 154; 296/136.01, 136.11; 280/770;  
D7/332, 334-337

See application file for complete search history.

(56) **References Cited**

**U.S. PATENT DOCUMENTS**

6,506,471	B2 *	1/2003	Doppelt	.....	428/102
D476,518	S *	7/2003	Doppelt	.....	D6/610
D481,887	S *	11/2003	Ellwanger	.....	D6/448
D483,212	S *	12/2003	Trickett	.....	D6/610
7,152,733	B2 *	12/2006	Trickett	.....	206/320

7,866,358	B1 *	1/2011	Simms, II	.....	150/165
2008/0210354	A1 *	9/2008	Wade	.....	150/165
2009/0211673	A1 *	8/2009	Neren	.....	150/165

\* cited by examiner

*Primary Examiner* — Caron D Veynar

*Assistant Examiner* — Katrina A Betton

(74) *Attorney, Agent, or Firm* — Lech Law, LLC; Robert R. Lech

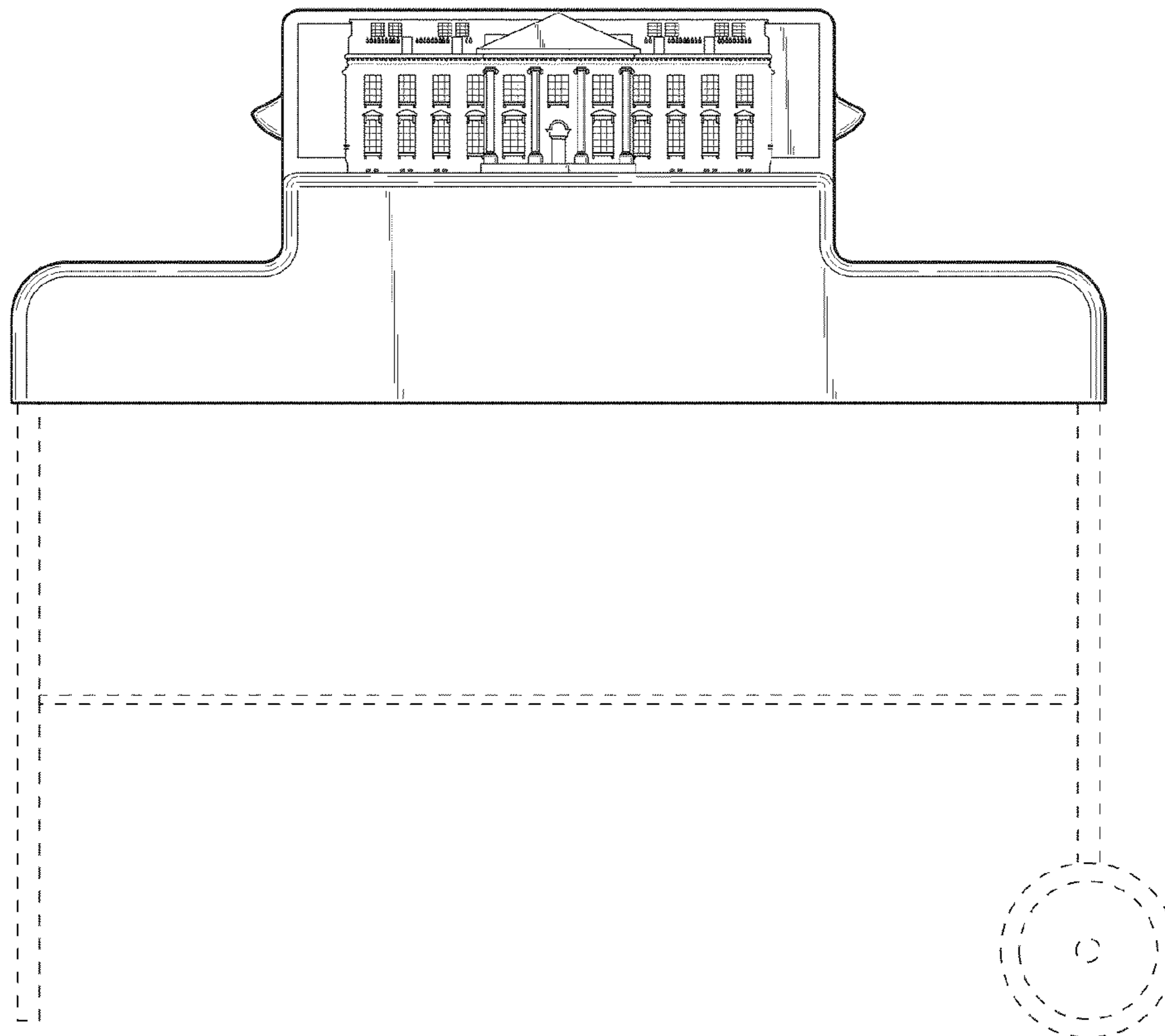
(57) **CLAIM**

What is claimed is the ornamental design for a grill cover, as shown and described.

**DESCRIPTION**

FIG. 1 is a perspective view of a grill cover;  
FIG. 2 is a front elevational view of the grill cover of FIG. 1;  
FIG. 3 is a rear elevational view of the grill cover of FIG. 1;  
FIG. 4 is a right side elevational view of the grill cover of FIG. 1;  
FIG. 5 is a top plan view of the grill cover of FIG. 1; and,  
FIG. 6 is a bottom plan view of the grill cover of FIG. 1.  
The broken lines showing raised indicia are included for the purpose of illustrating environment and form no part of the claimed design.

**1 Claim, 4 Drawing Sheets**



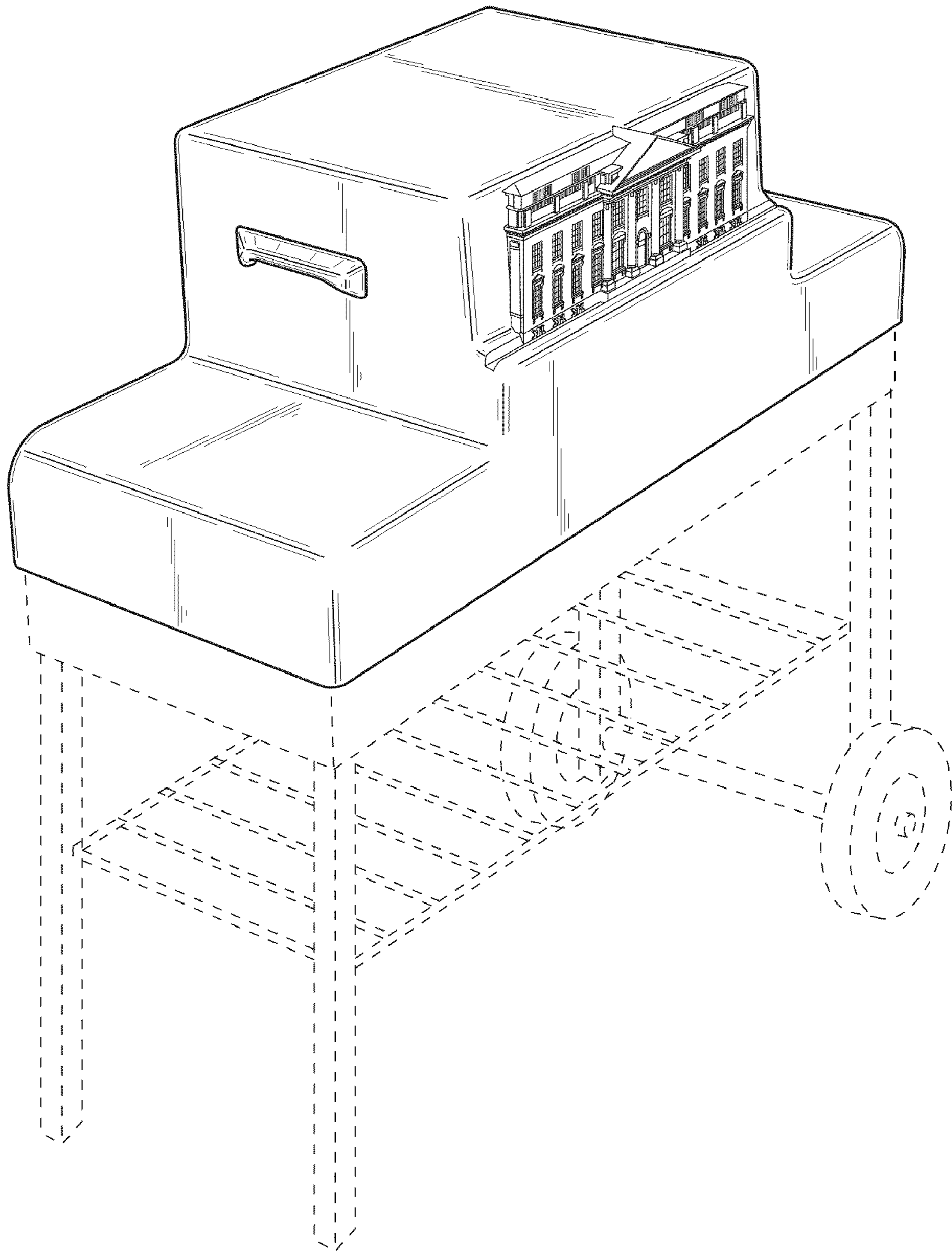


Fig. 1

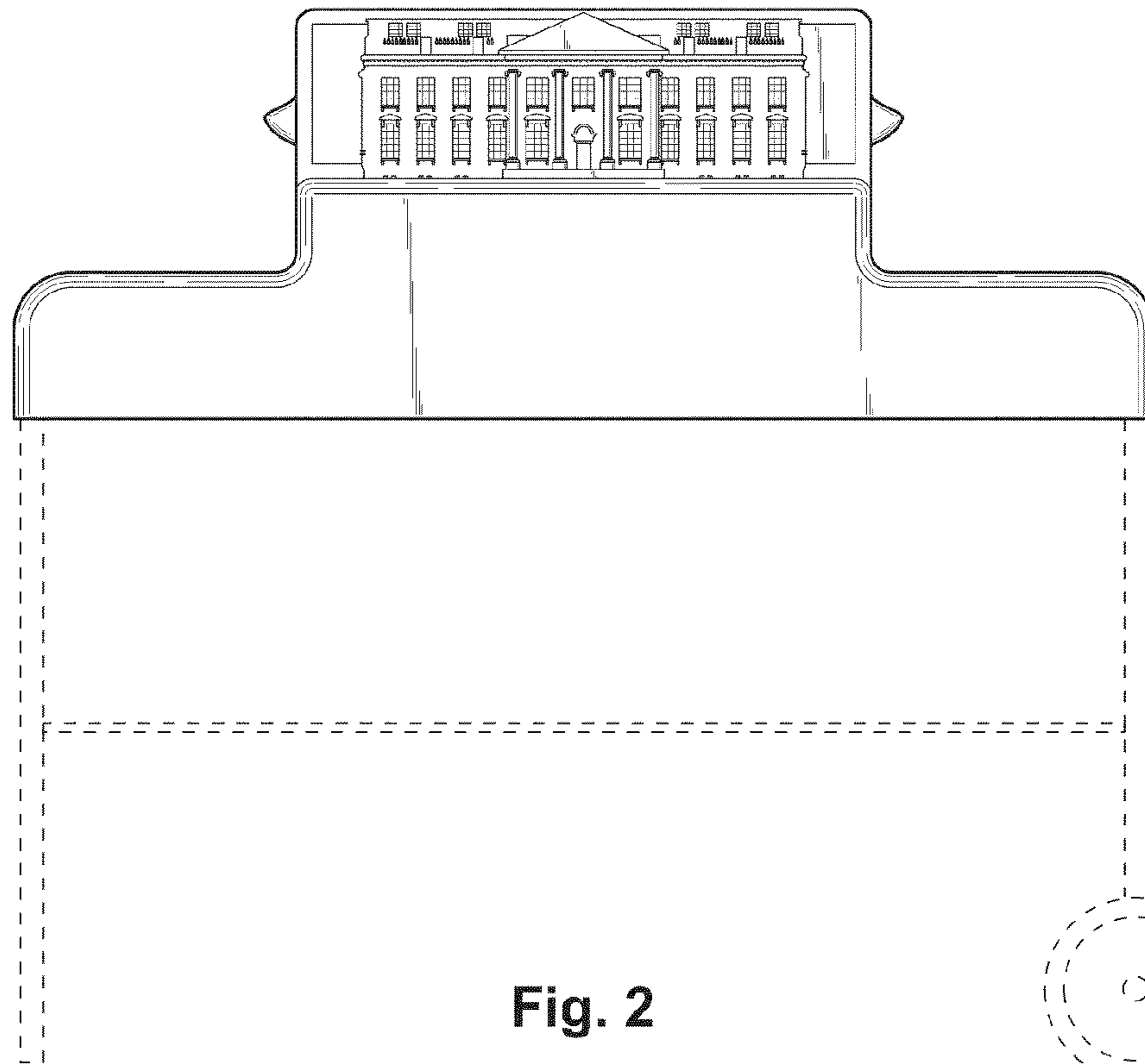


Fig. 2

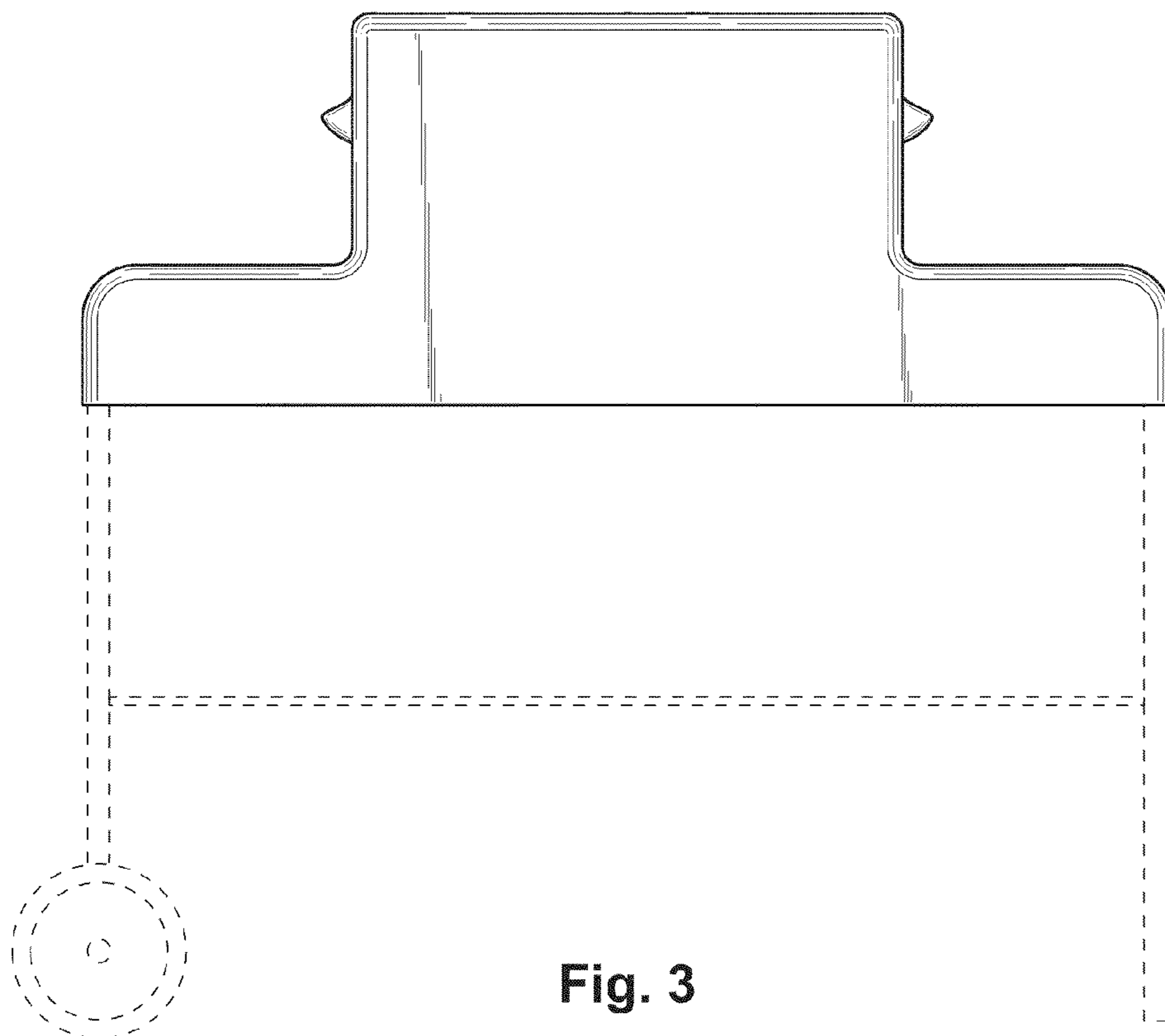


Fig. 3

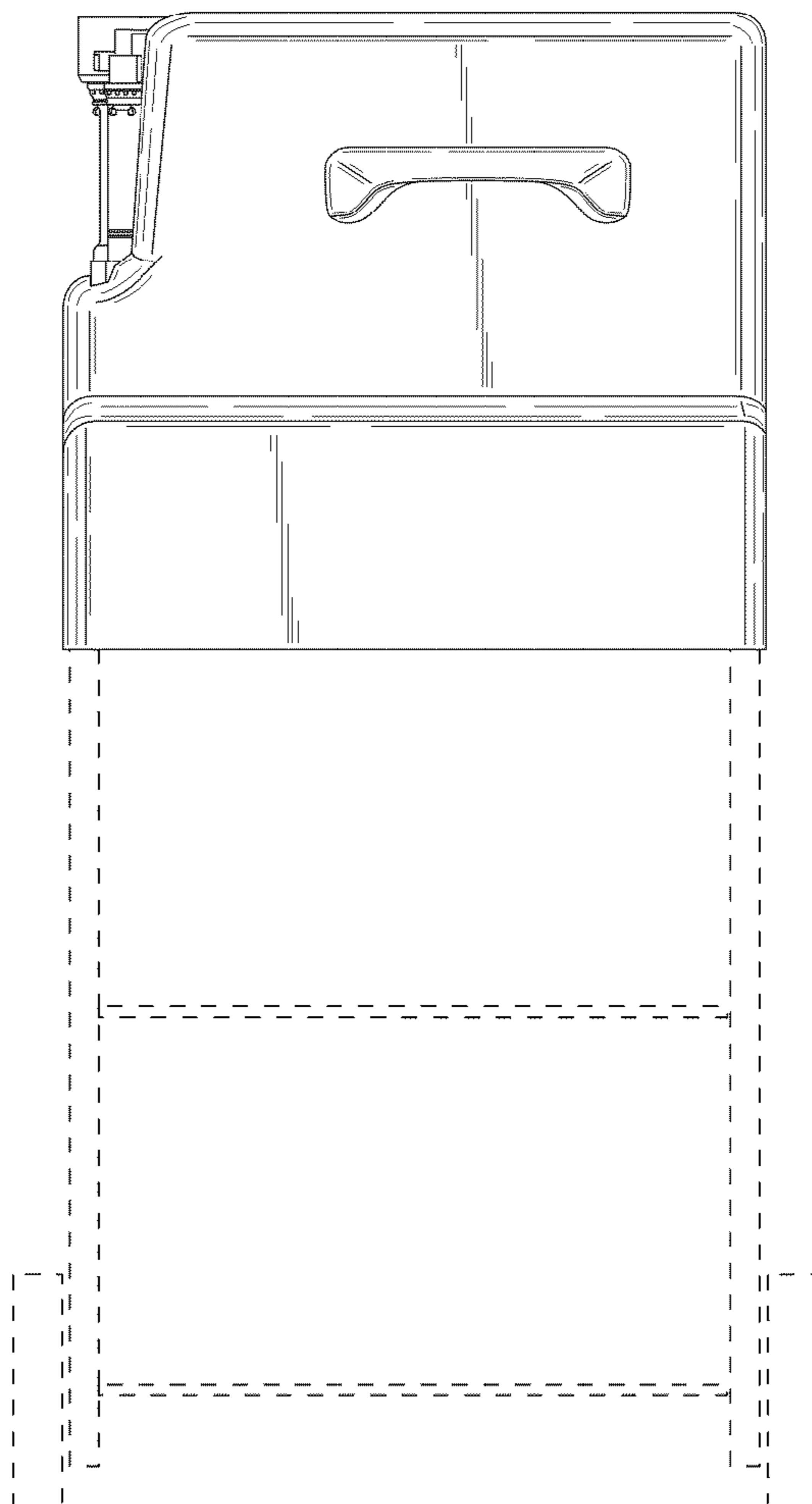


Fig. 4

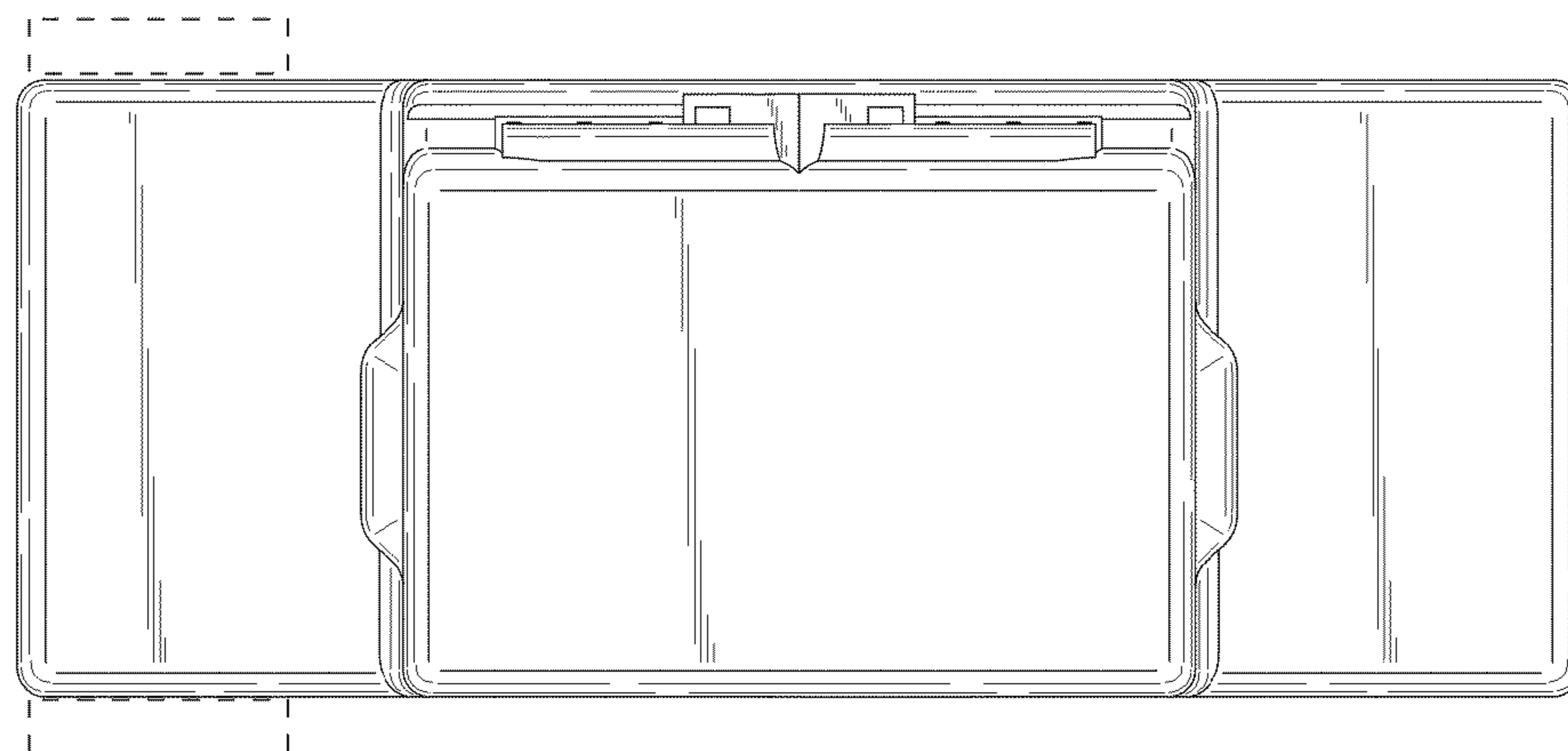


Fig. 5

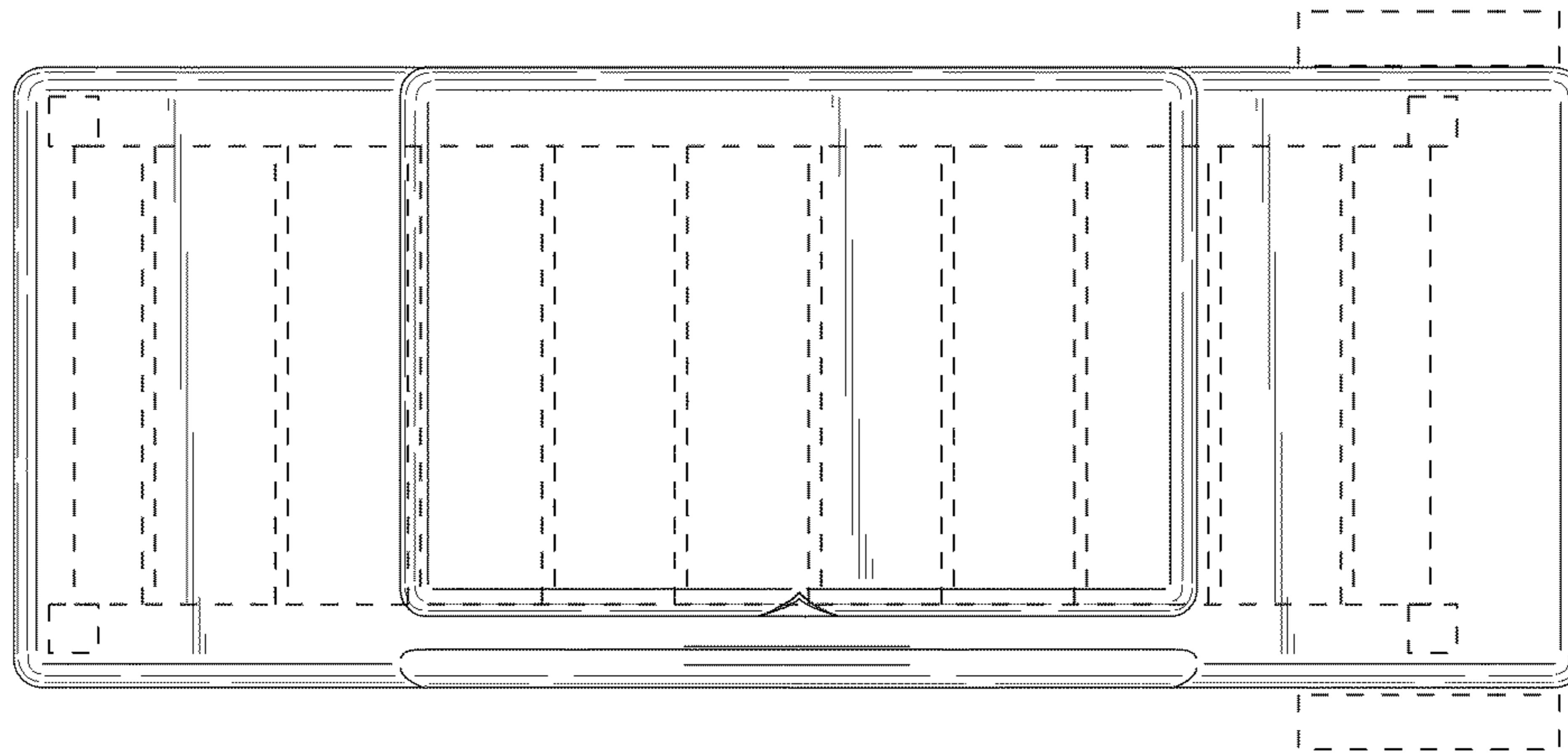


Fig. 6