



US00D652663S

(12) **United States Design Patent**
Davis et al.

(10) **Patent No.:** **US D652,663 S**
(45) **Date of Patent:** **** Jan. 24, 2012**

(54) **ARTIFICIAL TURF FOOTBALL FIELD
REPLICA**

(76) Inventors: **Carolyn Alise Davis**, Germantown, TN
(US); **Scott M. Davis**, Germantown, TN
(US); **Walter Curtis Puckett**, Fairhope,
AL (US); **Elizabeth Mitchell Puckett**,
Fairhope, AL (US)

(**) Term: **14 Years**

(21) Appl. No.: **29/354,712**

(22) Filed: **Jan. 27, 2010**

(51) **LOC (9) Cl.** **06-11**

(52) **U.S. Cl.** **D6/588**

(58) **Field of Classification Search** D5/59;
D6/210, 582-595, 604; D12/203, 109; D20/10;
D21/307, 792; 5/417, 418, 419, 420; 15/215,
15/216, 217
See application file for complete search history.

(56) **References Cited**

U.S. PATENT DOCUMENTS

2,101,764	A *	12/1937	Swart	273/239
D134,684	S	12/1942	Samuels	
D263,543	S *	3/1982	Daugherty	D6/597
D267,385	S	12/1982	Burt	
D267,459	S	1/1983	Burt	
D308,149	S	5/1990	Lewis	
D310,000	S	8/1990	Livingstone	
D321,910	S *	11/1991	Brady	D19/97
5,332,215	A *	7/1994	Gonzales	273/317.5
D350,253	S	9/1994	Livingstone	
D353,070	S	12/1994	Hilton	
D355,459	S	2/1995	Cornelison	
5,496,036	A *	3/1996	Chester	273/247
D373,148	S *	8/1996	Crow et al.	D21/357
D384,111	S *	9/1997	Dougan	D21/357
5,746,431	A *	5/1998	McIntyre et al.	273/247
5,901,956	A *	5/1999	Warmack	273/244
D411,400	S	6/1999	Yancey, Jr.	
D429,105	S	8/2000	Dowd	

D435,186	S	12/2000	Fulkerson	
D439,097	S	3/2001	Gibson	
D448,226	S	9/2001	Avery	
D467,273	S *	12/2002	Brooks et al.	D19/36
D476,661	S *	7/2003	Mabbutt	D14/458
D488,335	S *	4/2004	Kerr	D6/511
D521,298	S *	5/2006	Counard	D6/576
D557,051	S	12/2007	Adoboe	
2002/0089116	A1 *	7/2002	Castellanos	273/108.1
2006/0214371	A1 *	9/2006	Laporte	273/247
2008/0269016	A1 *	10/2008	Ungari et al.	482/1
2009/0219167	A1 *	9/2009	DeFrancisco et al.	340/815.4
2010/0181722	A1 *	7/2010	Poulos	273/247
2010/0184536	A1 *	7/2010	Kuykindoll	473/470
2010/0319494	A1 *	12/2010	Chaffins	81/3.09
2011/0031691	A1 *	2/2011	Miller, Jr.	273/259
2011/0078155	A1 *	3/2011	Seligmann et al.	707/748
2011/0148036	A1 *	6/2011	Nolen	273/127 R

* cited by examiner

Primary Examiner — Patricia Palasik

(74) *Attorney, Agent, or Firm* — QuickPatents, Inc.; Kevin Prince

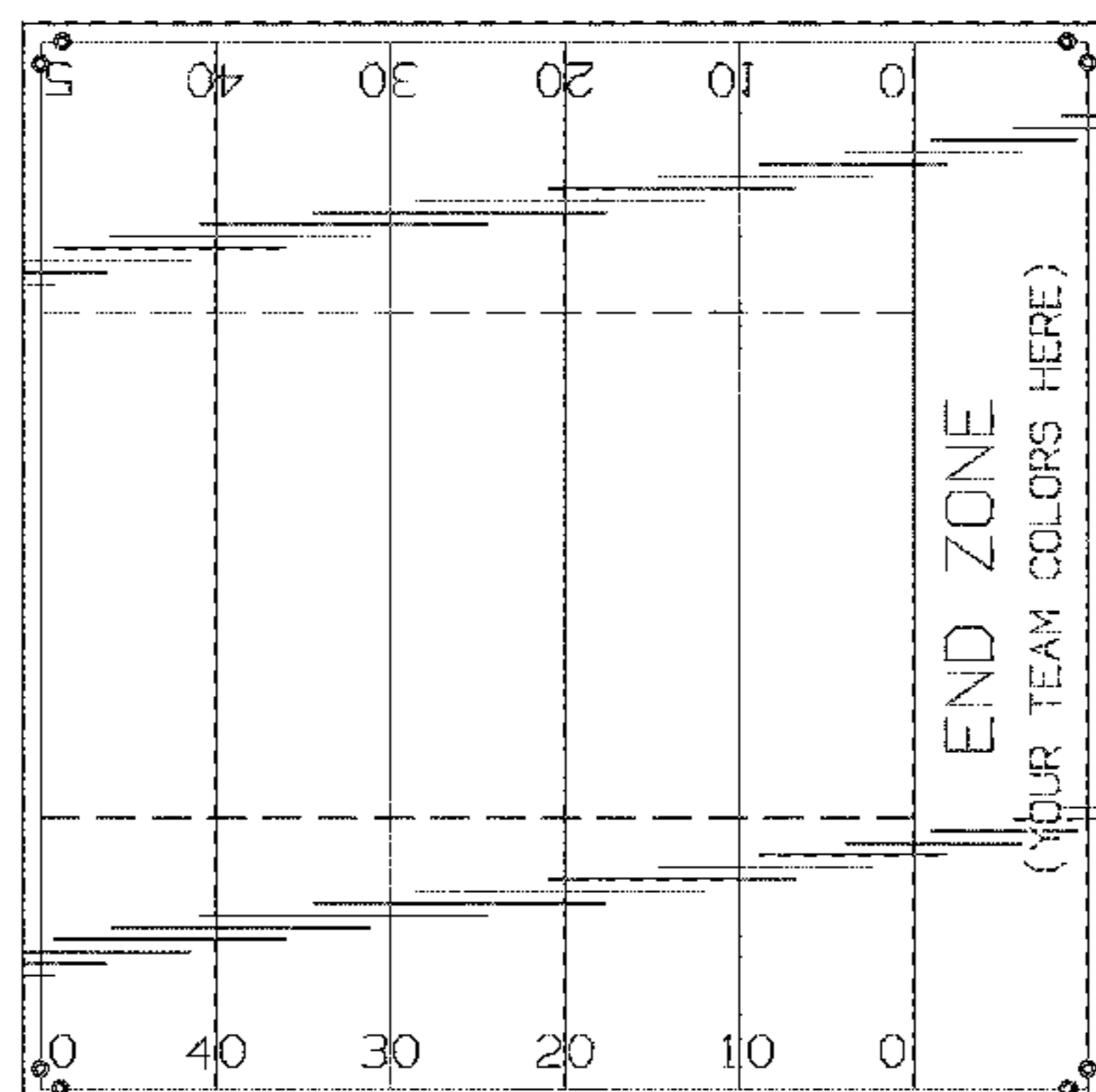
(57) **CLAIM**

We claim the ornamental design for an artificial turf football field replica, as shown and described.

DESCRIPTION

FIG. 1 is a perspective view of an artificial turf football field replica, showing my new design; FIG. 2 is a top plan view thereof; FIG. 3 is a bottom plan view thereof; FIG. 4 is a left-side elevational view thereof, the right-side elevational view being a mirror image thereof; and, FIG. 5 is a front elevational view thereof; the bottom elevational view being a mirror image thereof. The broken lines showing a pop-up canopy in FIG. 1 and team indicia in FIGS. 1 and 2 are included for the purpose of illustrating the invention in use, and form no part of the claimed design.

1 Claim, 2 Drawing Sheets



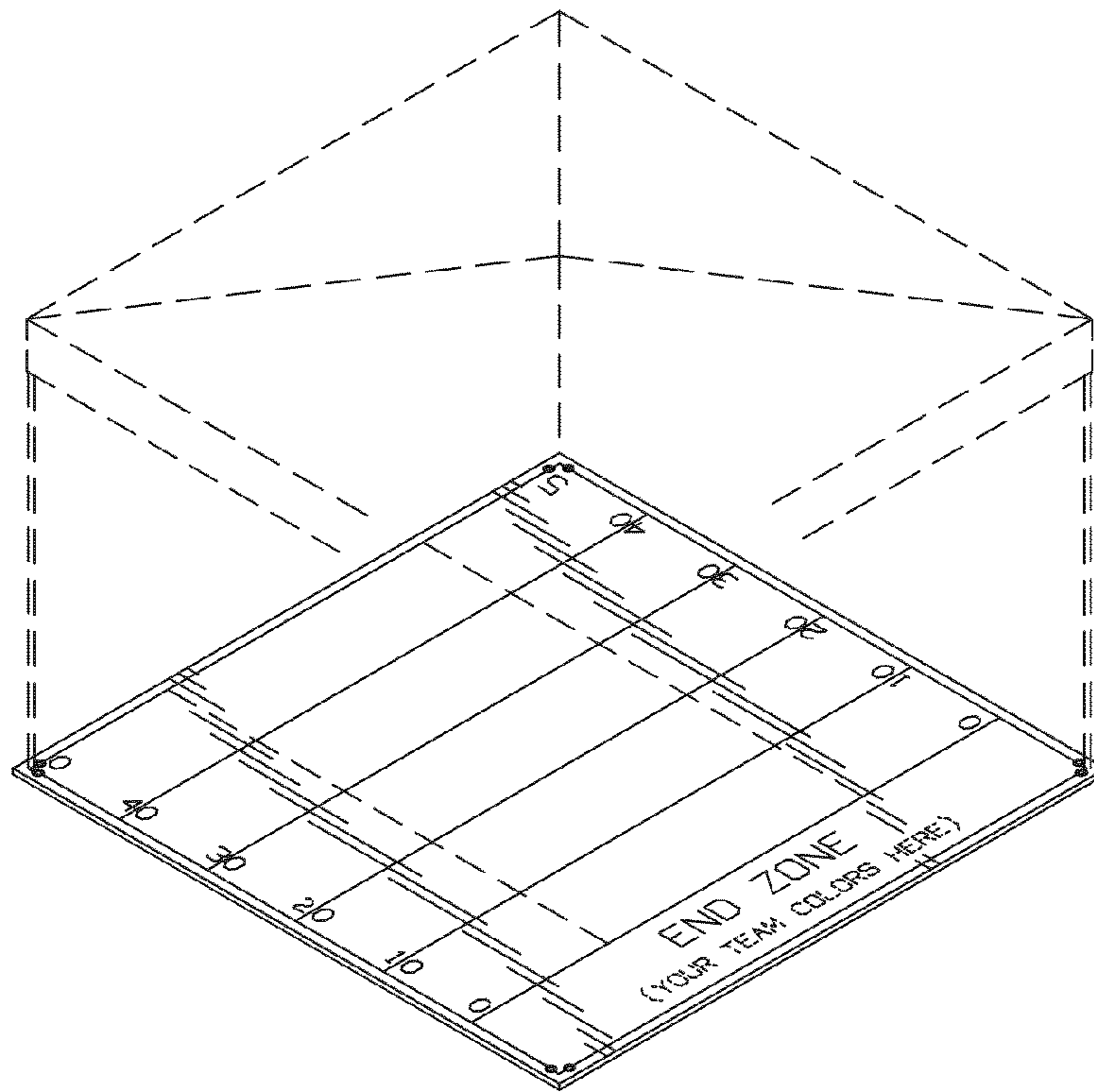


FIG. 1

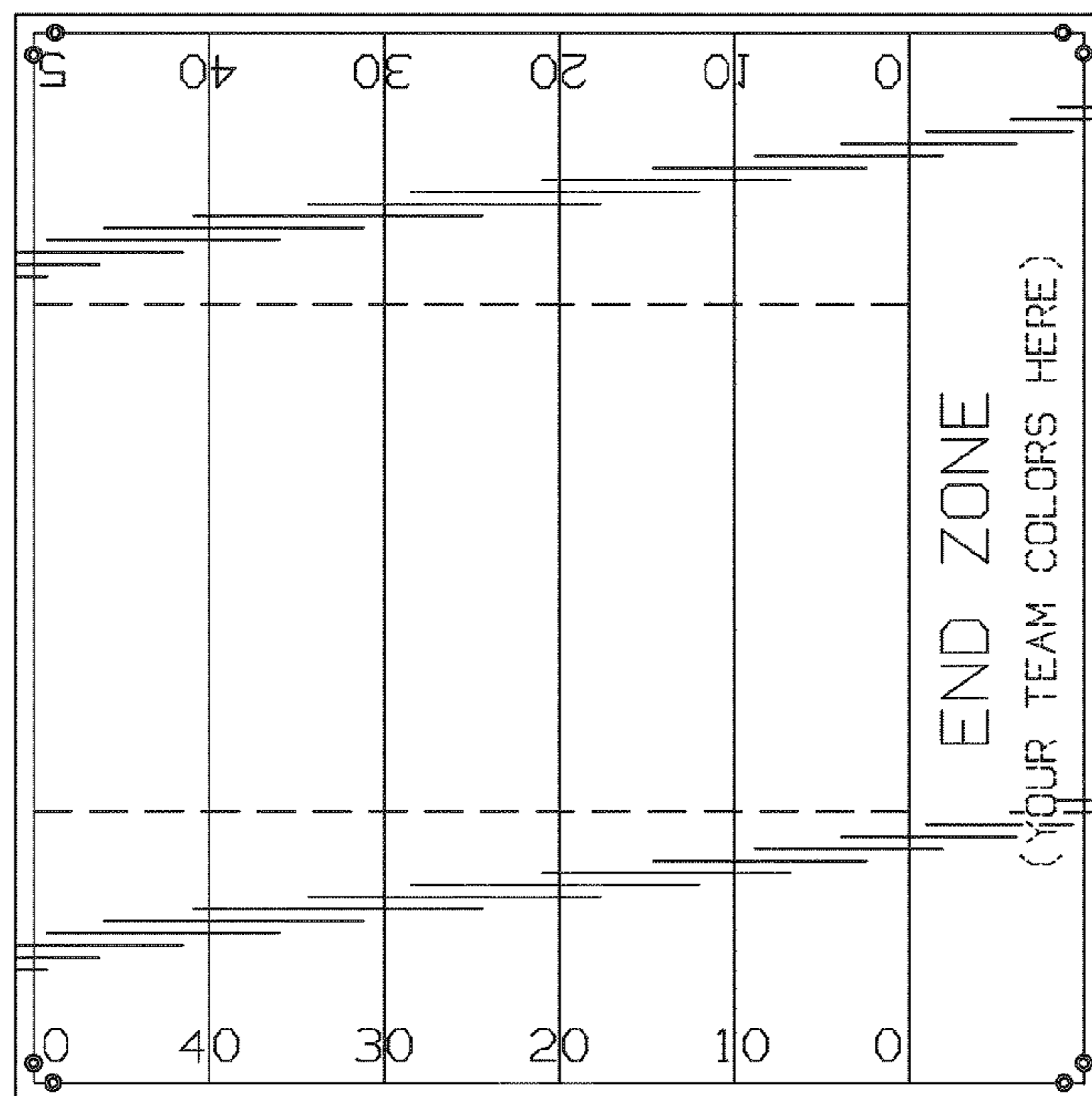


FIG. 2

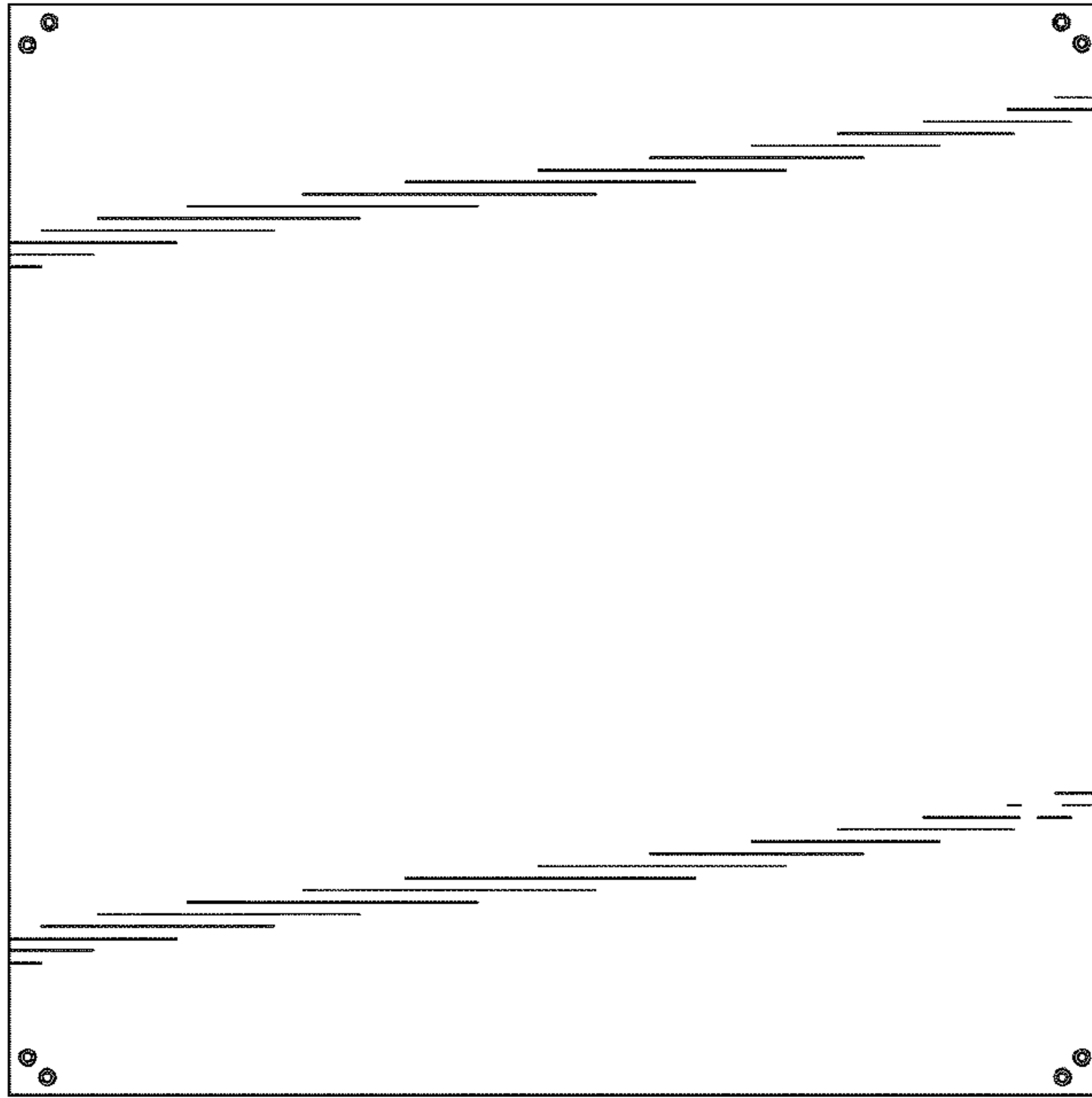


FIG. 3



FIG. 4



FIG. 5