



US00D652661S

(12) **United States Design Patent**
Lipfert et al.

(10) **Patent No.:** **US D652,661 S**
(45) **Date of Patent:** **** Jan. 24, 2012**

(54) **PLANTER**

(75) Inventors: **Kim Lipfert**, Minneapolis, MN (US);
Katherine R. Wittenberg, St. Paul, MN
(US); **Elizabeth H. Apple**, Minneapolis,
MN (US)

(73) Assignee: **Target Brands, Inc.**, Minneapolis, MN
(US)

(**) Term: **14 Years**

(21) Appl. No.: **29/399,254**

(22) Filed: **Aug. 11, 2011**

(51) **LOC (9) Cl.** **11-02**

(52) **U.S. Cl.** **D6/556**

(58) **Field of Classification Search** D6/403-405,
D6/556-558; D8/1; D11/143-156, 164;
D19/77, 80, 81, 84; D25/100; D26/9-11,
D26/16, 19; D34/1, 2, 4-6; D99/5, 19; 47/17,
47/32.4, 32.5, 32.7, 33, 39, 41.01, 41.1, 41.11-41.15,
47/44-47, 63, 65.5, 65.9, 66.1, 66.2, 66.6,
47/66.7, 67-71

See application file for complete search history.

(56) **References Cited**

U.S. PATENT DOCUMENTS

D158,893 S	6/1950	O'Brien	
D169,833 S	6/1953	Young et al.	
D176,161 S	11/1955	Shelby	
4,027,842 A	6/1977	Mittleman	
4,039,136 A	8/1977	DeHart	
D274,583 S	7/1984	Lafferty	
D285,405 S	9/1986	Grange	
D297,601 S *	9/1988	Grossman et al.	D6/556
D322,047 S	12/1991	Wolfenden	
D331,727 S	12/1992	Grosfillex	
5,279,452 A	1/1994	Huynh	
D349,213 S	8/1994	Cousins et al.	
D356,754 S	3/1995	Schmidt et al.	
D371,089 S *	6/1996	Yeung	D11/152

5,553,823 A 9/1996 Protz, Jr.
D382,511 S 8/1997 Azarian
D383,417 S 9/1997 Davis

(Continued)

OTHER PUBLICATIONS

Blain's Farm & Fleet, "New England Pottery Rounded Square Cane Planter," http://www.farmandfleet.com/products/538715-rounded_square_cane_planter.html, as printed on May 10, 2011, 2 pages.

Primary Examiner — Garth Rademaker

(74) *Attorney, Agent, or Firm* — Griffiths & Seaton PLLC

(57) **CLAIM**

The ornamental design for a planter, as shown and described.

DESCRIPTION

FIG. 1 is a top, front perspective view of a planter showing our new design;

FIG. 2 is a rear, bottom perspective view thereof;

FIG. 3 is a front view thereof;

FIG. 4 is a rear view thereof;

FIG. 5 is a right side view thereof, the left side view being a mirror image of the right side view;

FIG. 6 is a top view thereof, shown at a reduced scale;

FIG. 7 is a bottom view thereof;

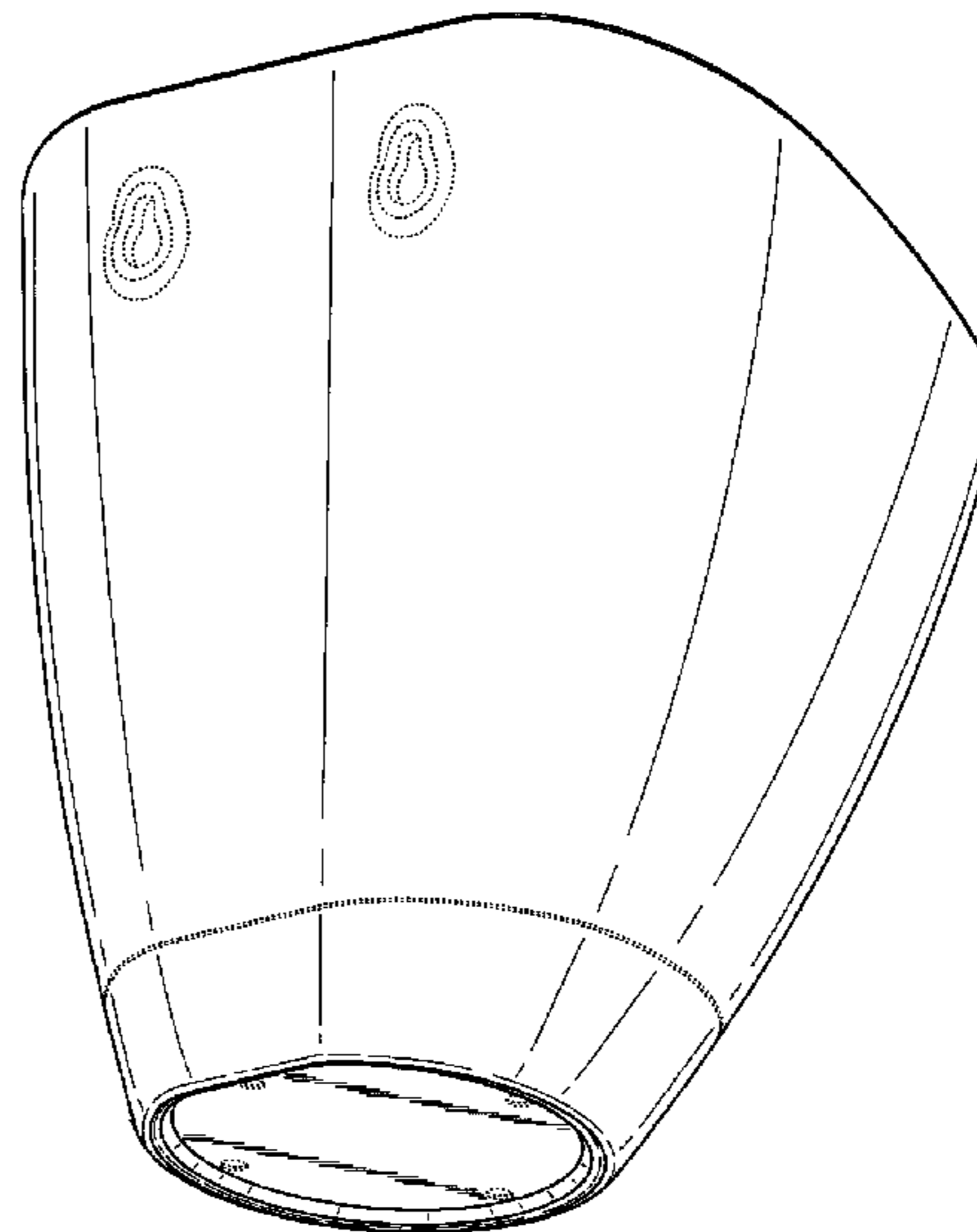
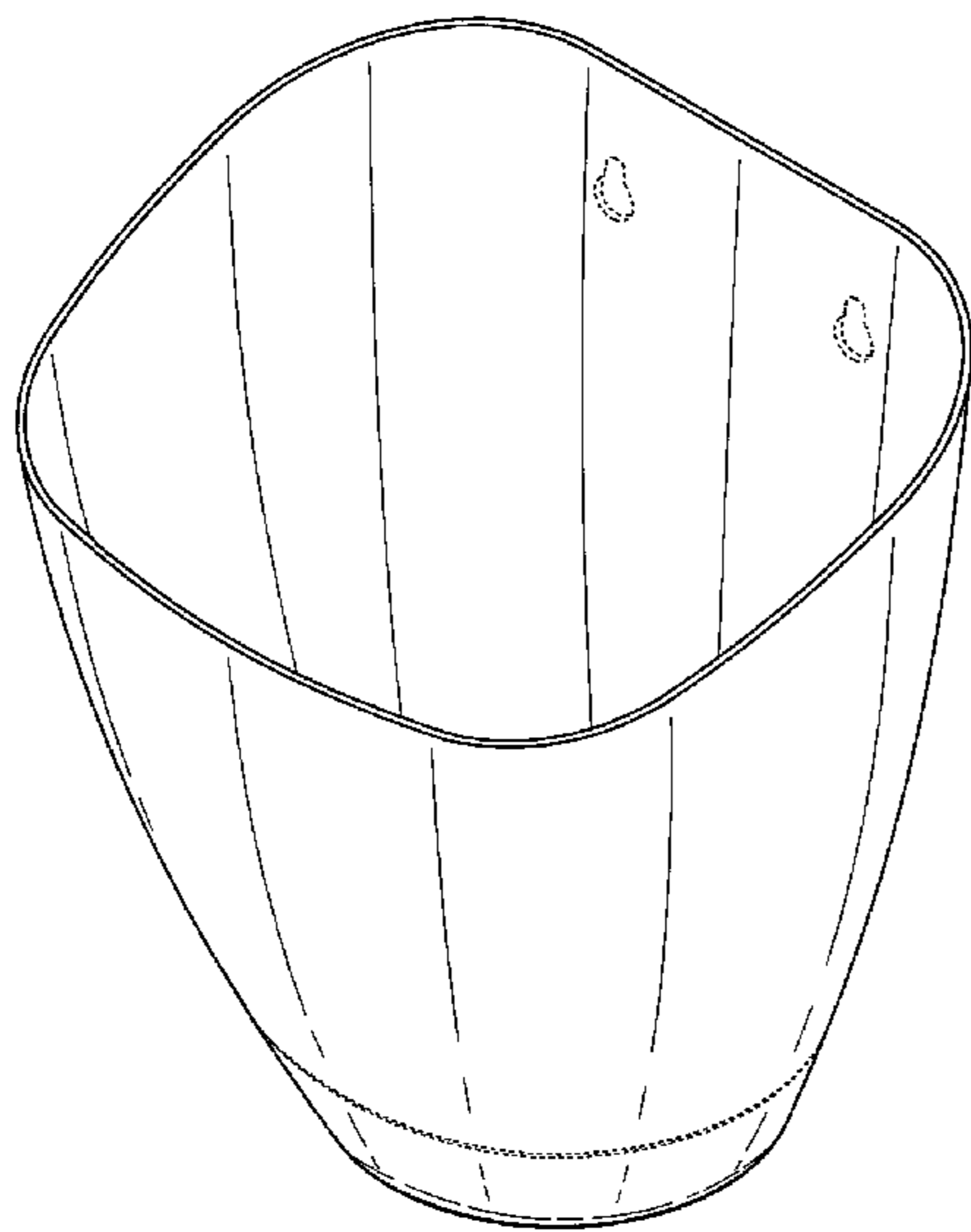
FIG. 8 is a top, front perspective view thereof, shown in an environment of use;

FIG. 9 is a top, front perspective view thereof, shown in a second environment of use; and,

FIG. 10 is a top, front perspective view thereof, shown in a third environment of use.

The bolded long-dash short-dash line in FIG. 6 is a boundary line indicating the bounds of the claimed subject matter, but otherwise forms no part of the claimed design. All the other features shown in broken lines depict environmental subject matter only and form no part of the claimed design.

1 Claim, 9 Drawing Sheets



US D652,661 S

Page 2

U.S. PATENT DOCUMENTS

D385,213 S	10/1997	McAllister		D567,591 S	4/2008	Weber	
5,738,319 A	4/1998	Grassi		D578,927 S	10/2008	Brandstatter	
D408,322 S	4/1999	Yurk		D578,929 S	10/2008	White	
D445,358 S	7/2001	Simmons		D579,374 S	10/2008	Boyette et al.	
D473,754 S	4/2003	Thun		D588,496 S	3/2009	White	
D478,530 S	8/2003	Sachuk		D598,224 S	8/2009	Zanini	
D485,306 S *	1/2004	Sheldon et al.	D19/77	D606,452 S	12/2009	White	
D495,564 S	9/2004	Bodum		D611,876 S	3/2010	White	
D501,886 S *	2/2005	Chen et al.	D19/77	D618,514 S	6/2010	Wolhender	
6,857,608 B2	2/2005	Avinger		D640,586 S *	6/2011	Tanaka	D11/155
D504,799 S	5/2005	Lawson et al.		D640,587 S *	6/2011	Tanaka	D11/155
7,207,088 B2	4/2007	Adams et al.		D643,173 S *	8/2011	Quan et al.	D34/1
D542,098 S	5/2007	Wasserman et al.		D644,388 S *	8/2011	Quan	D34/1
D545,133 S	6/2007	Wasserman et al.		2008/0078121 A1 *	4/2008	Stanio	47/67
D564,939 S	3/2008	Fan		2009/0224118 A1	9/2009	Meyers	

* cited by examiner

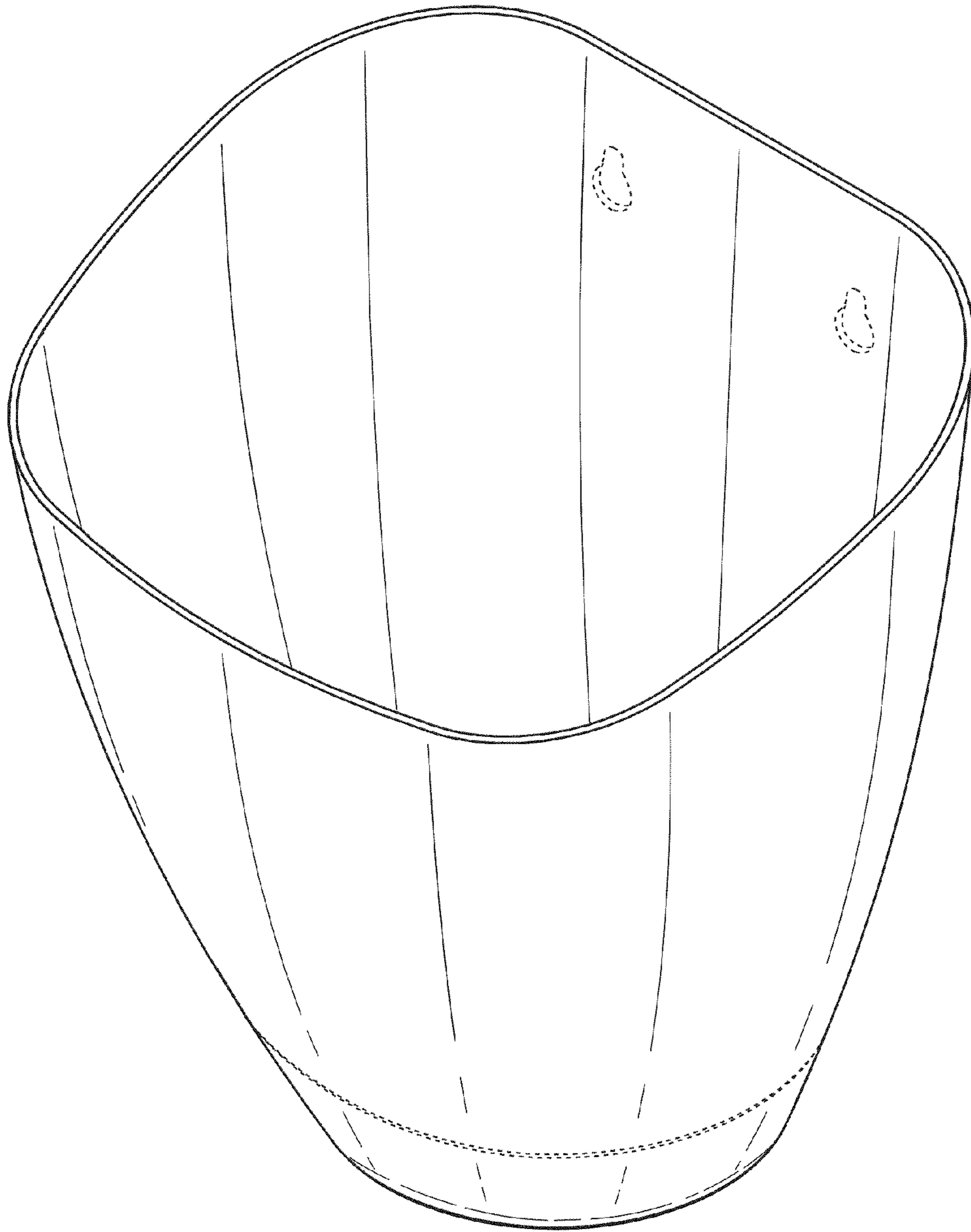


FIG. 1

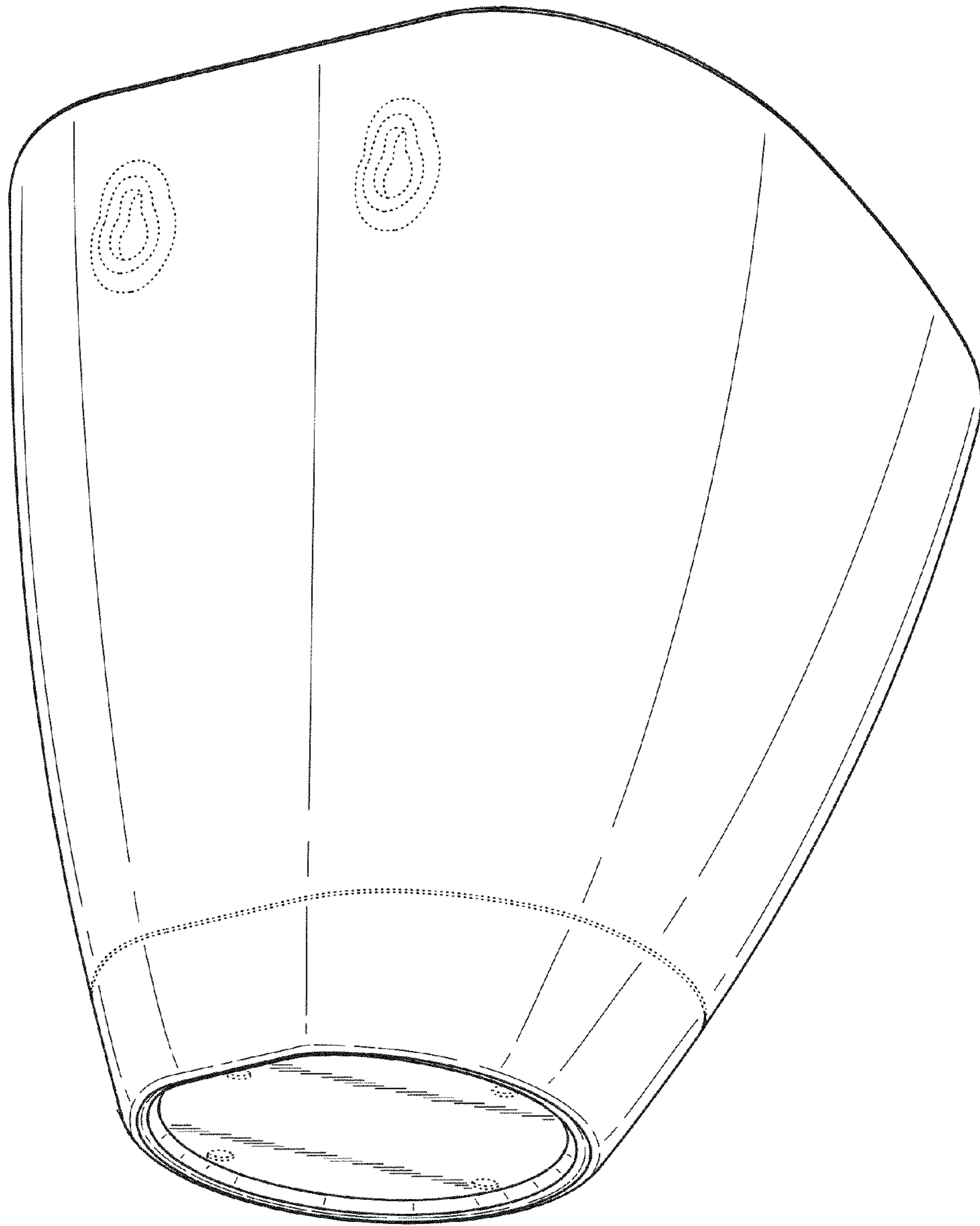


FIG. 2

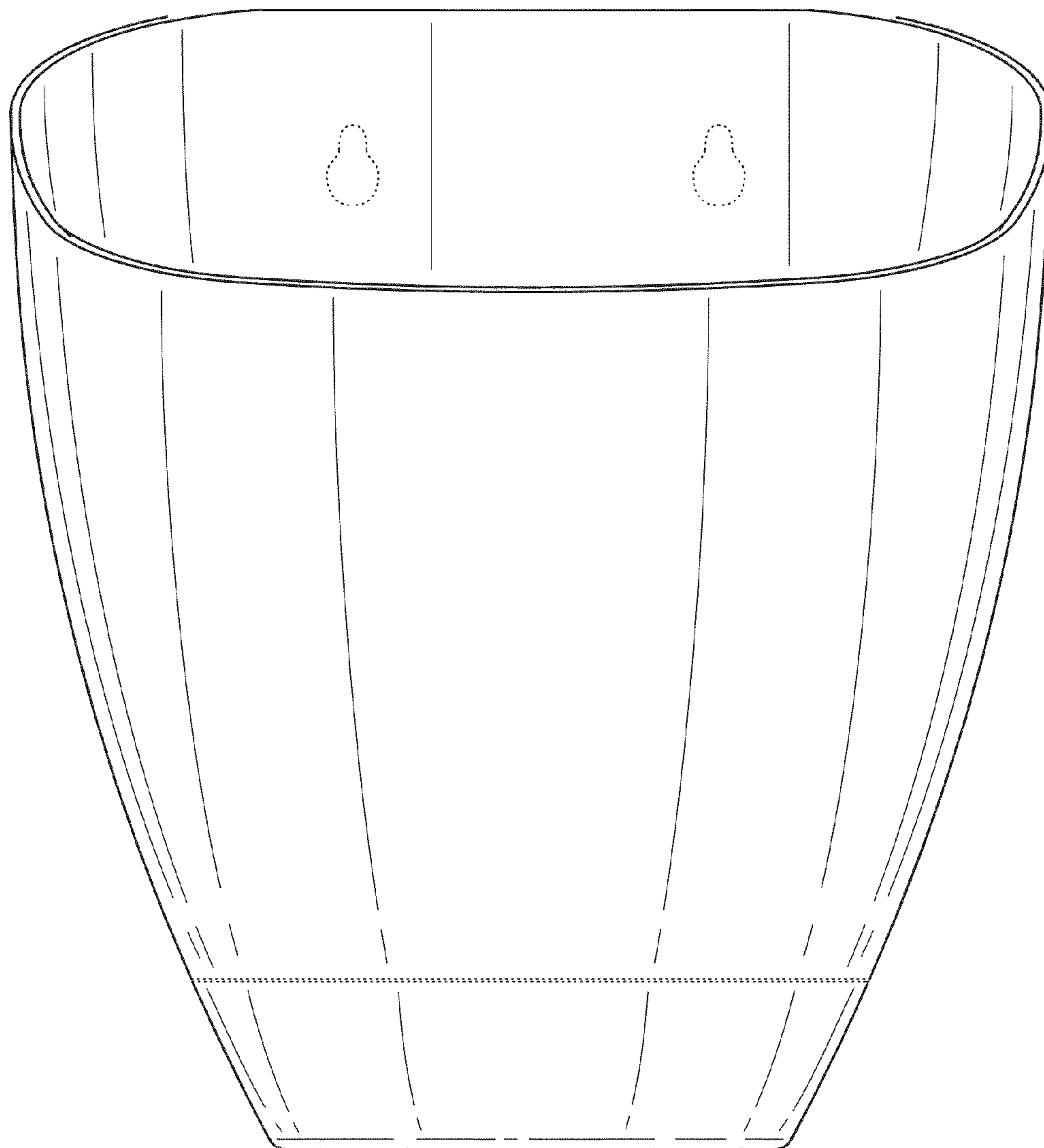


FIG. 3

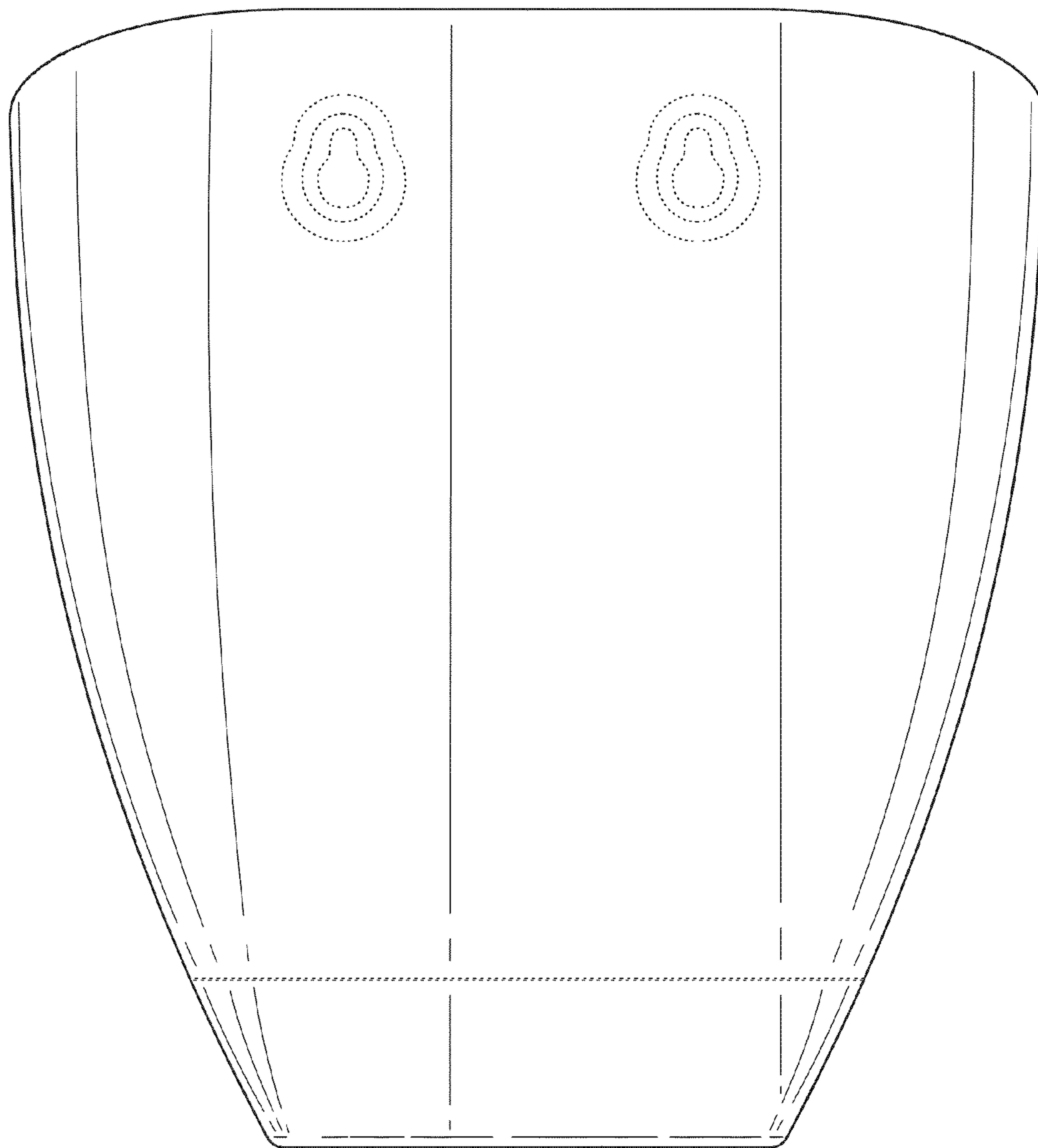


FIG. 4

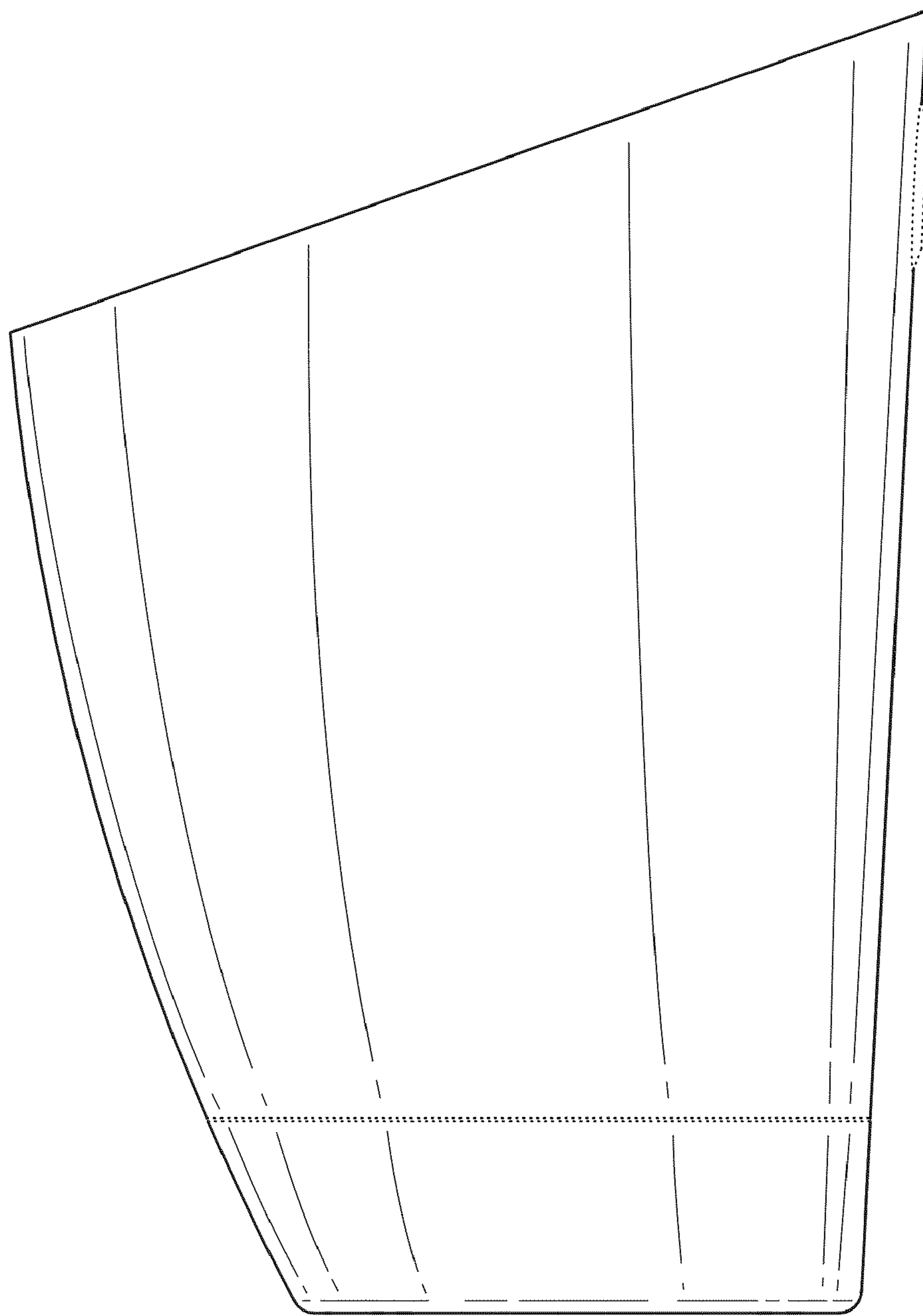


FIG. 5

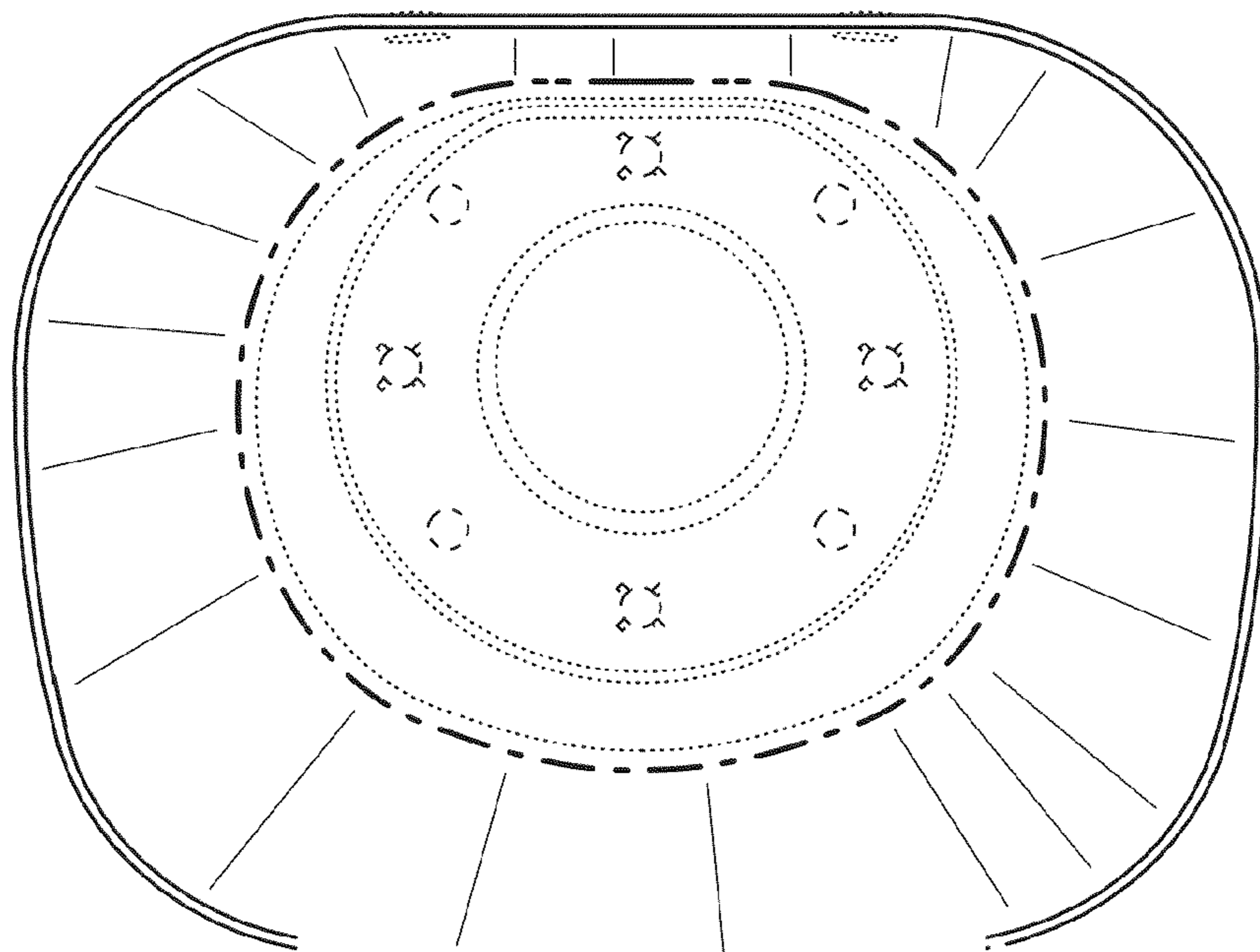


FIG. 6

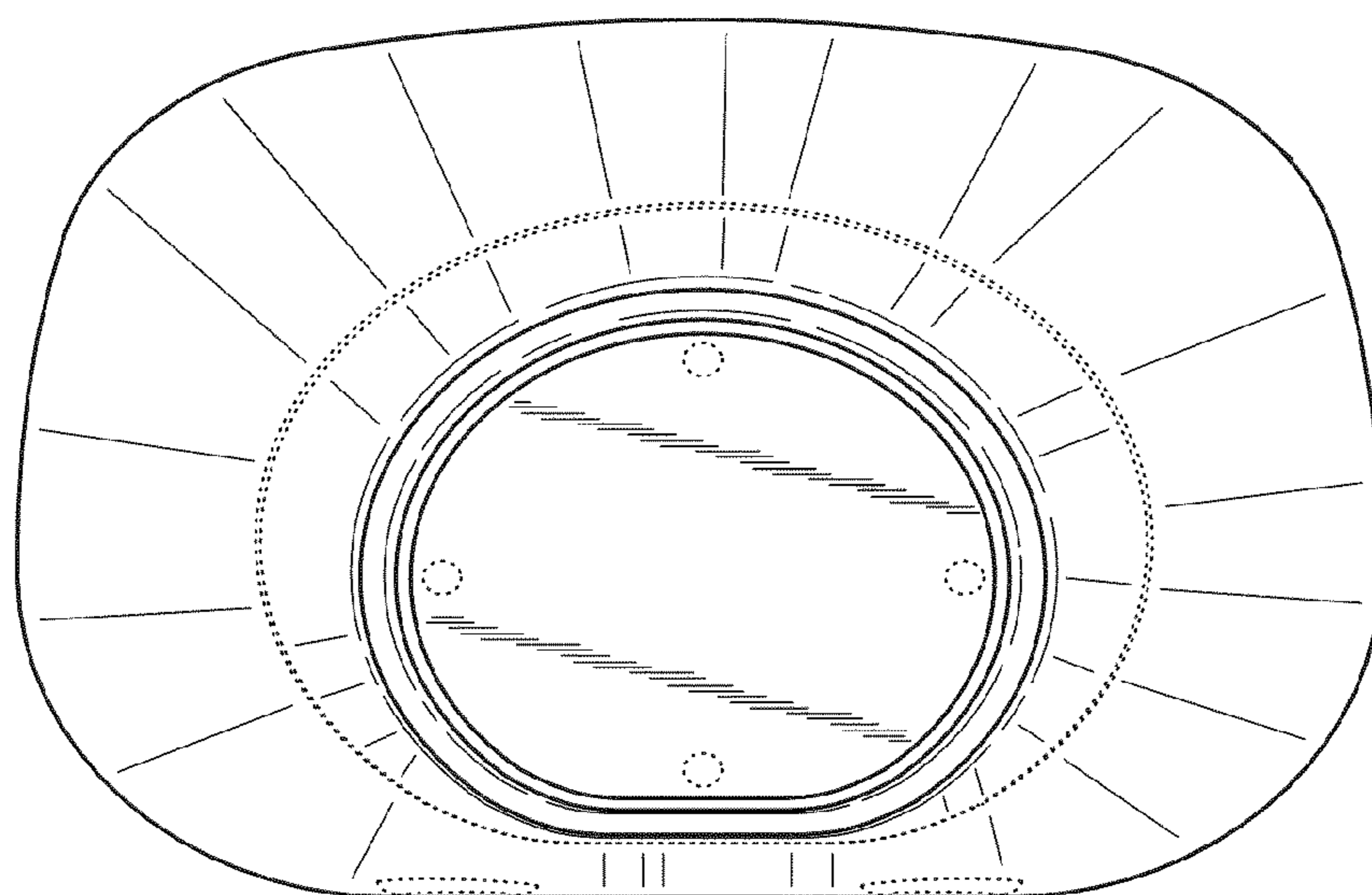


FIG. 7

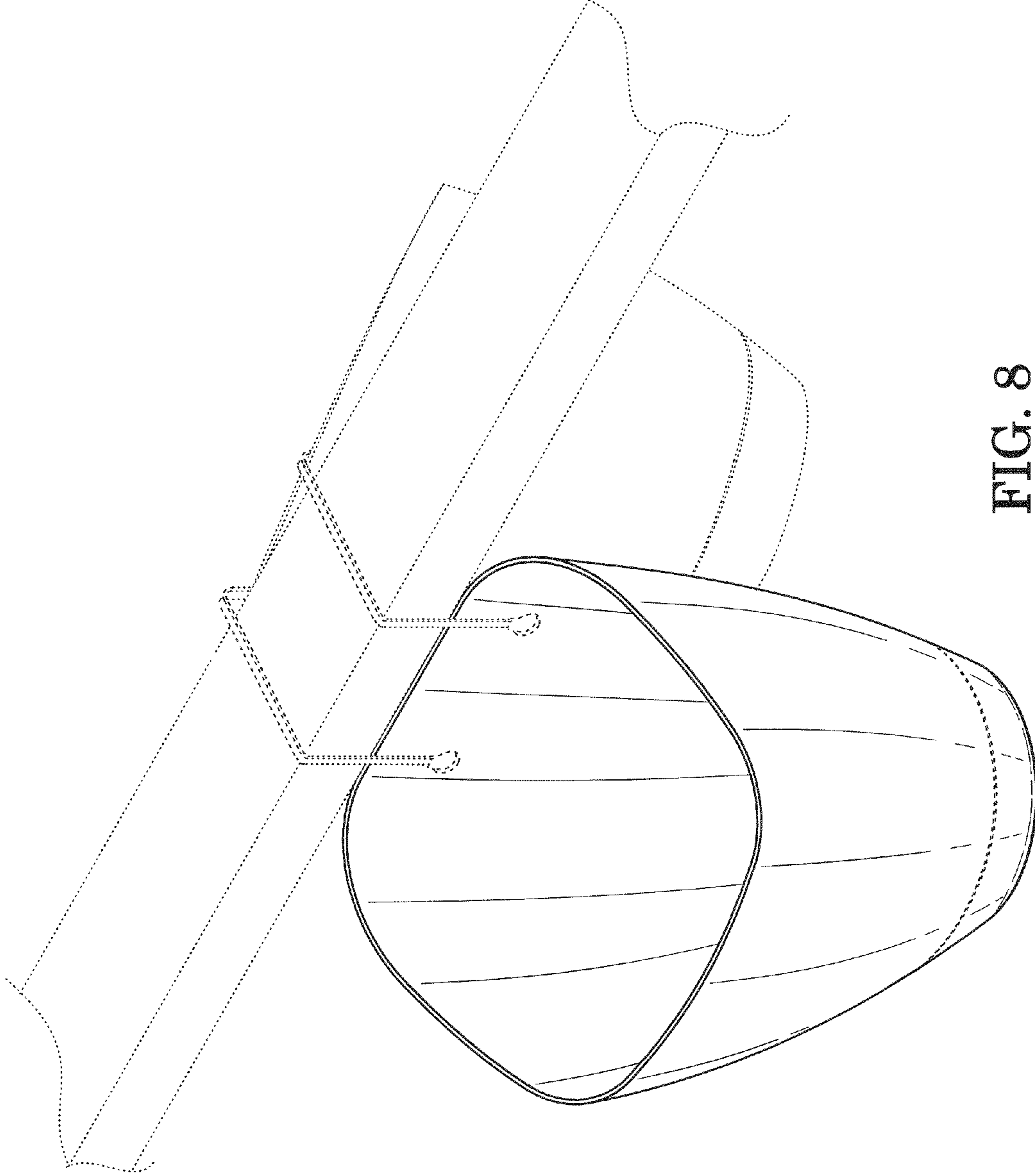


FIG. 8

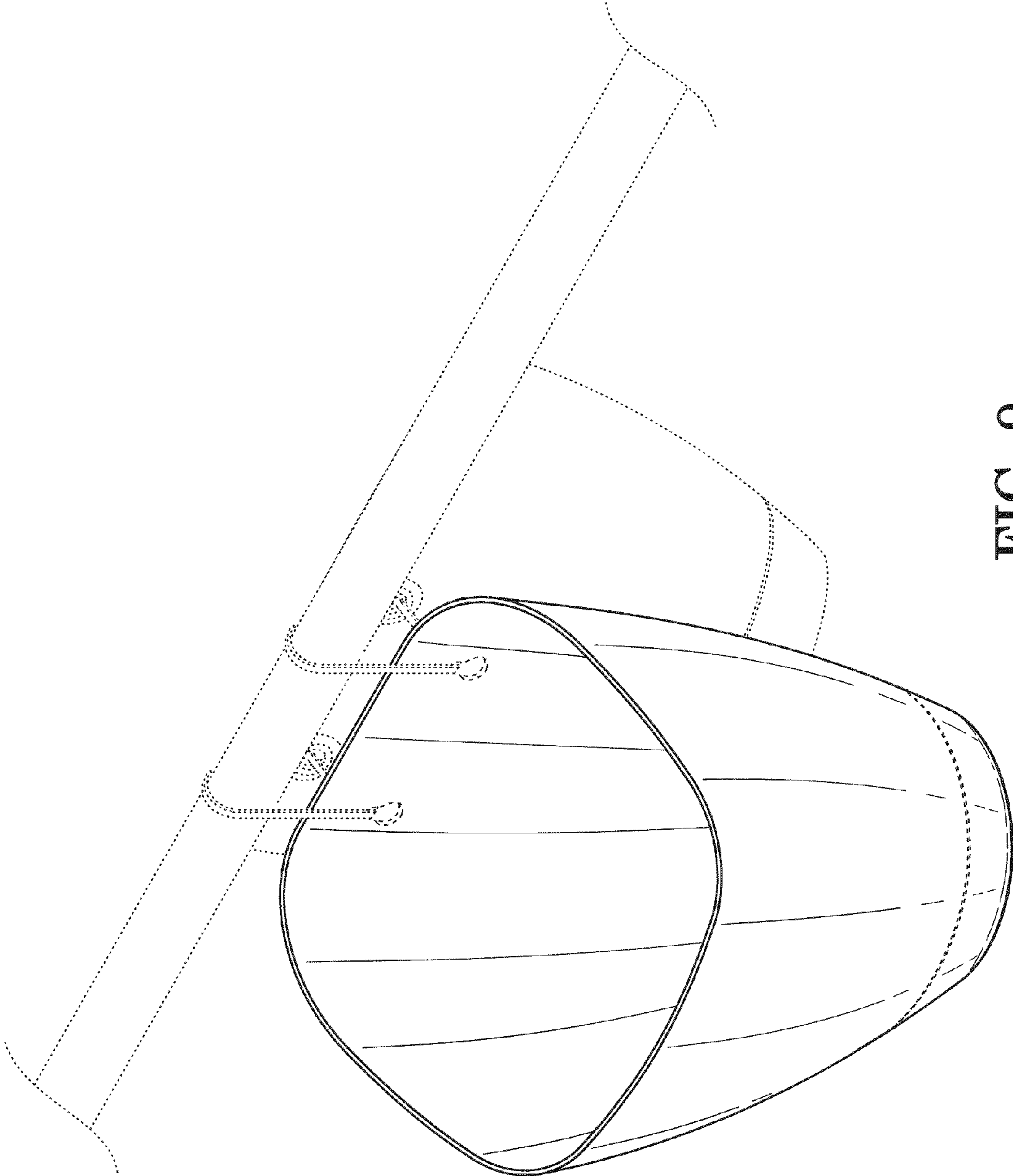


FIG. 9

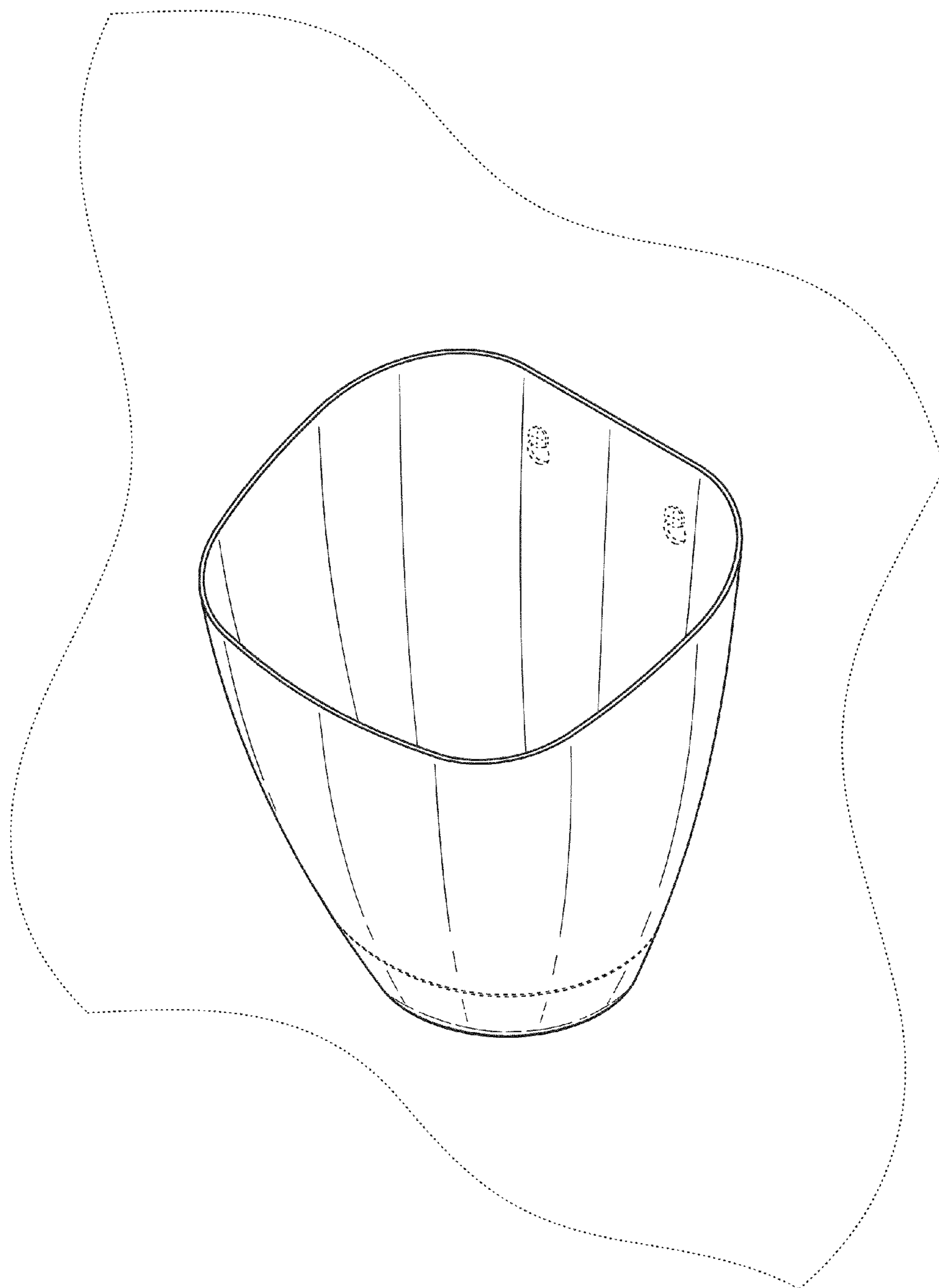


FIG. 10