



US00D652660S

(12) **United States Design Patent**
Roeske

(10) **Patent No.:** **US D652,660 S**
(45) **Date of Patent:** **** Jan. 24, 2012**

(54) **BOTTLE STORAGE AND DISPENSING
DEVICE**

(76) Inventor: **Pauline R. Roeske**, Spring, TX (US)

(**) Term: **14 Years**

(21) Appl. No.: **29/398,275**

(22) Filed: **Jul. 28, 2011**

Related U.S. Application Data

(63) Continuation-in-part of application No. 12/207,678,
filed on Sep. 10, 2008.

(51) **LOC (9) Cl.** **20-02**

(52) **U.S. Cl.** **D6/515**

(58) **Field of Classification Search** D6/512-523;
D3/201; 206/389, 391, 407, 409; 211/13.1,
211/16, 85.5, 59.2; 221/92, 97, 185, 282-284;
242/159, 160.2, 550, 560, 590, 595, 588,
242/598

See application file for complete search history.

(56) **References Cited**

U.S. PATENT DOCUMENTS

D342,420 S * 12/1993 Ienna D6/515
D380,113 S * 6/1997 Byrd D6/515

D381,849 S * 8/1997 Snyder D6/515
D402,837 S * 12/1998 Boire et al. D6/515
D499,914 S * 12/2004 Rimback D6/515
D604,972 S * 12/2009 Henry et al. D6/515
D621,645 S * 8/2010 Johnson et al. D6/515

* cited by examiner

Primary Examiner — Brian N Vinson

(74) *Attorney, Agent, or Firm* — Dale J. Ream

(57) **CLAIM**

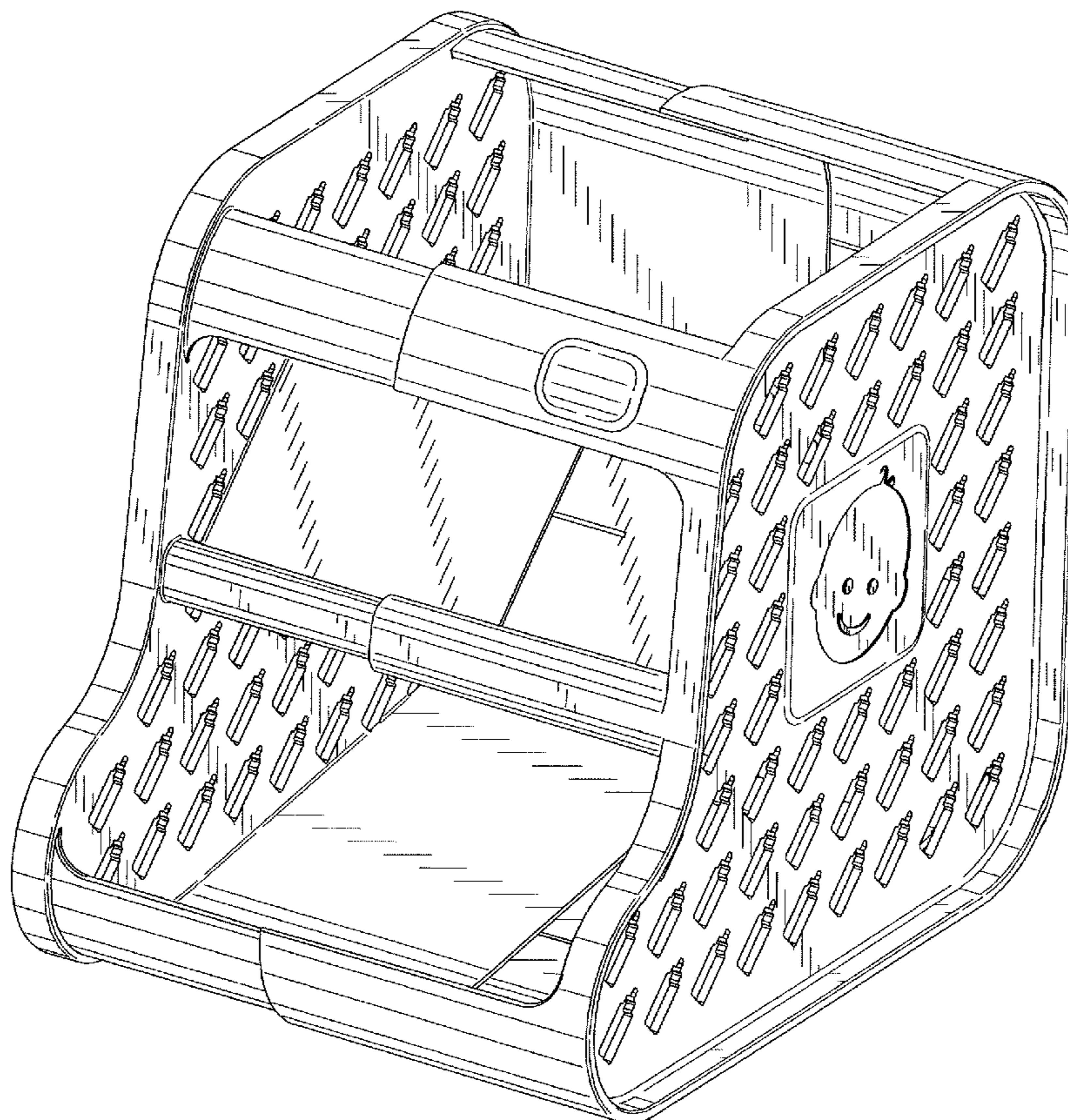
The ornamental design for a bottle storage and dispensing device, as shown and described.

DESCRIPTION

FIG. 1 is a perspective view of a bottle storage and dispensing device showing my new design in an expanded configuration; FIG. 2 is a perspective view of a bottle storage and dispensing device shown in a collapsed configuration; FIG. 3 is a front view thereof; FIG. 4 is a back view thereof; FIG. 5 is a right side view thereof; FIG. 6 is a left side view thereof; FIG. 7 is a top view thereof; and, FIG. 8 is a bottom view thereof.

In the drawings, the broken lines showing bottles illustrate environment and form no part of the claimed design.

1 Claim, 8 Drawing Sheets



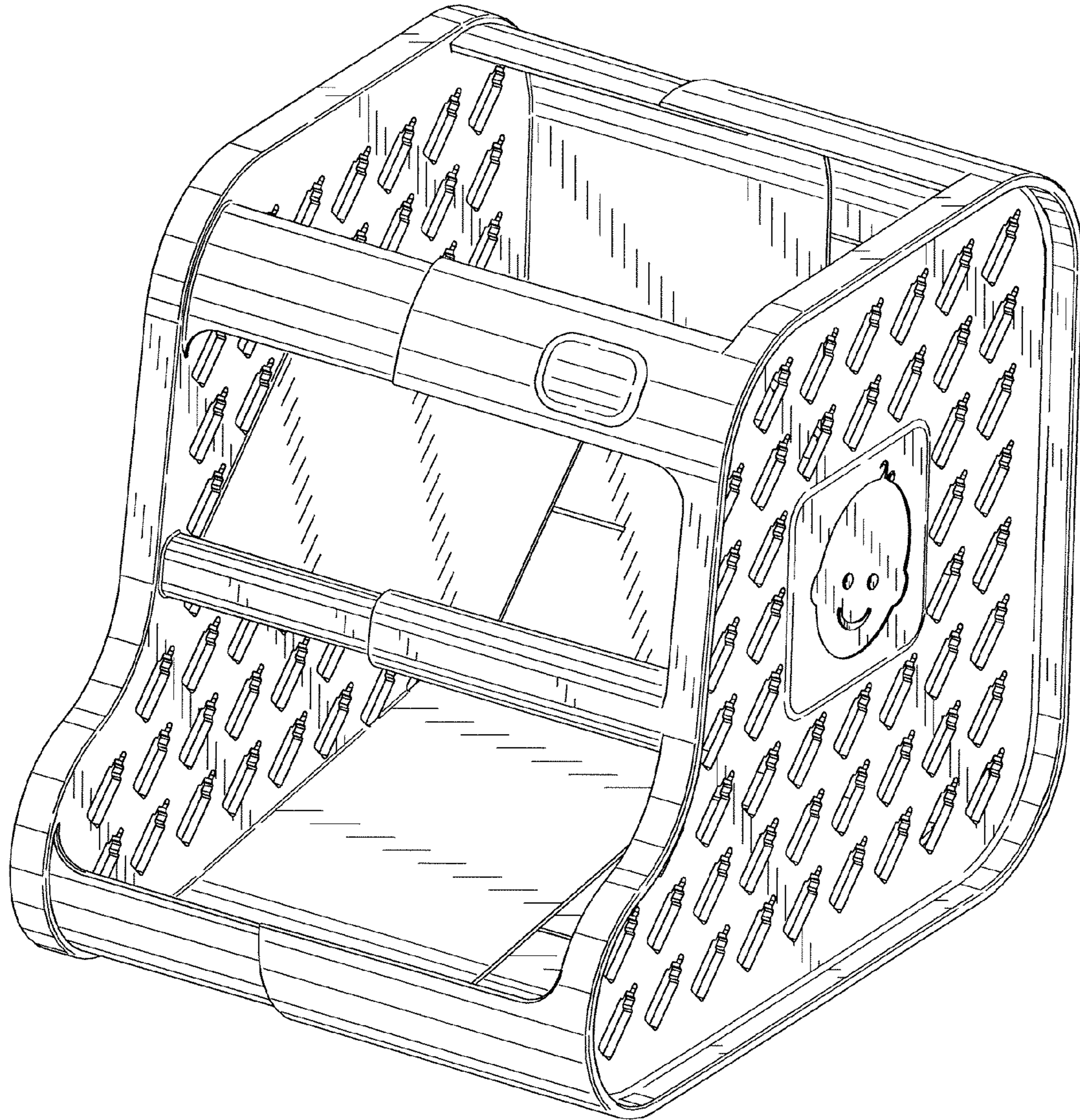


FIG. 1

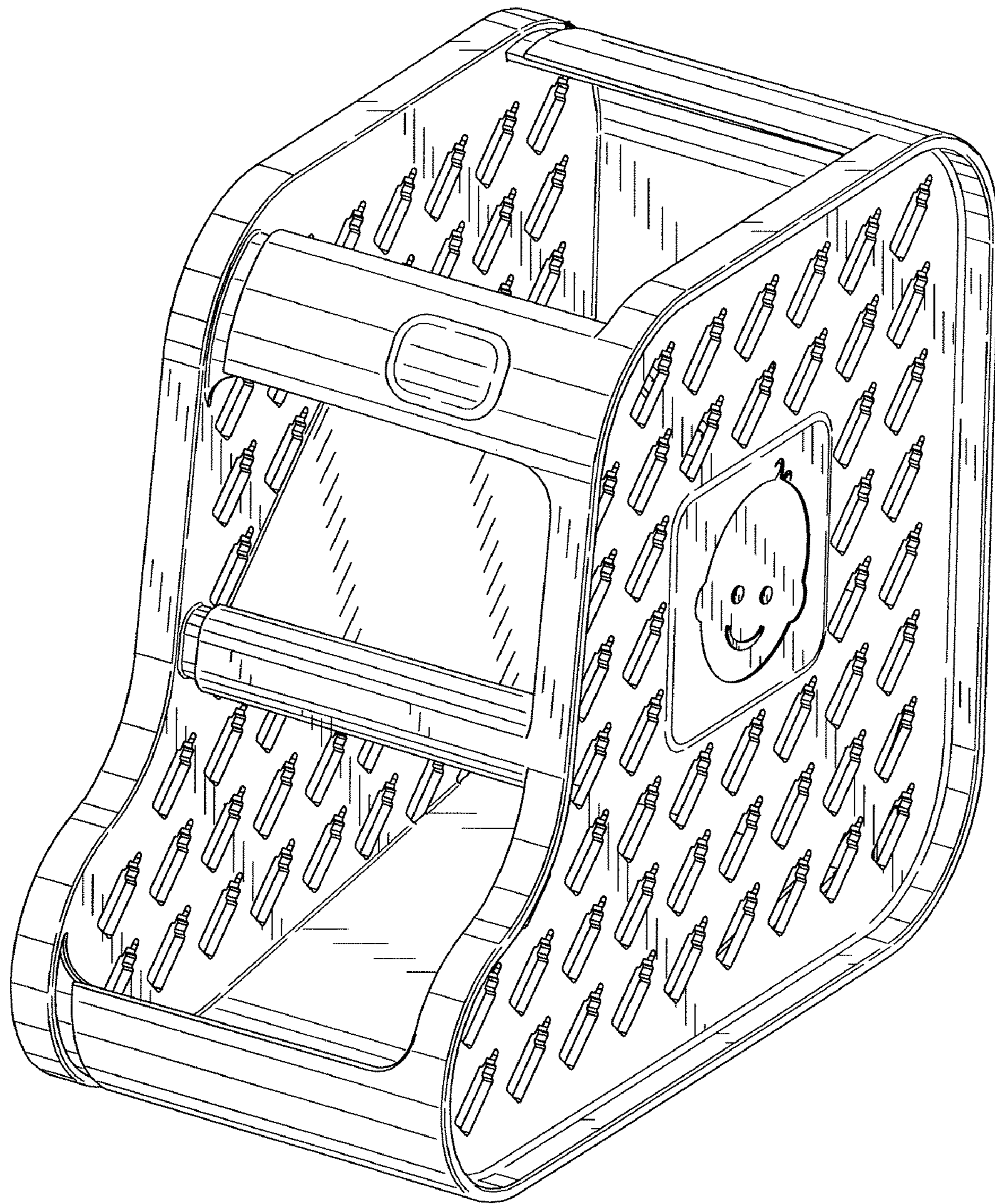


FIG. 2

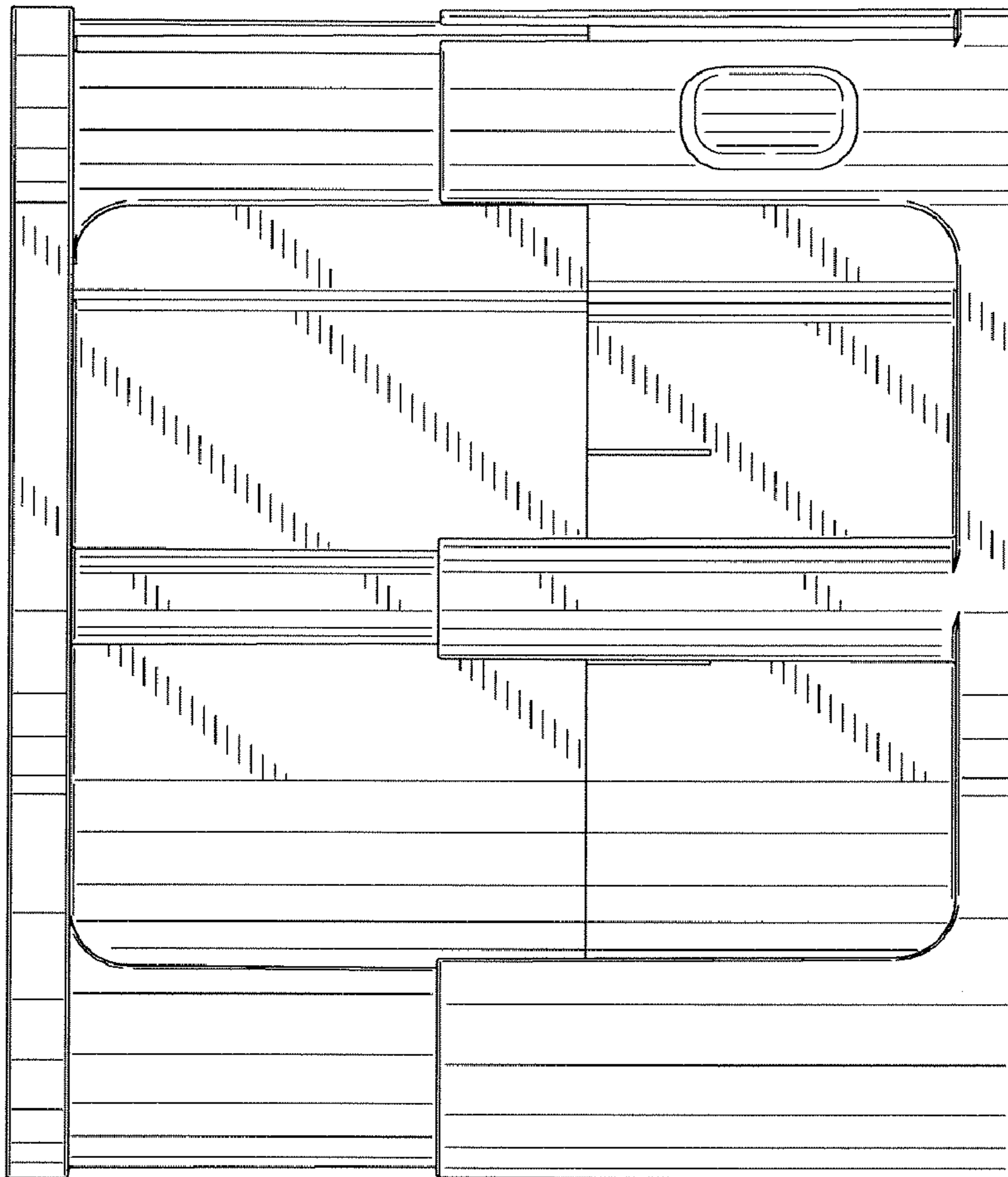


FIG. 3

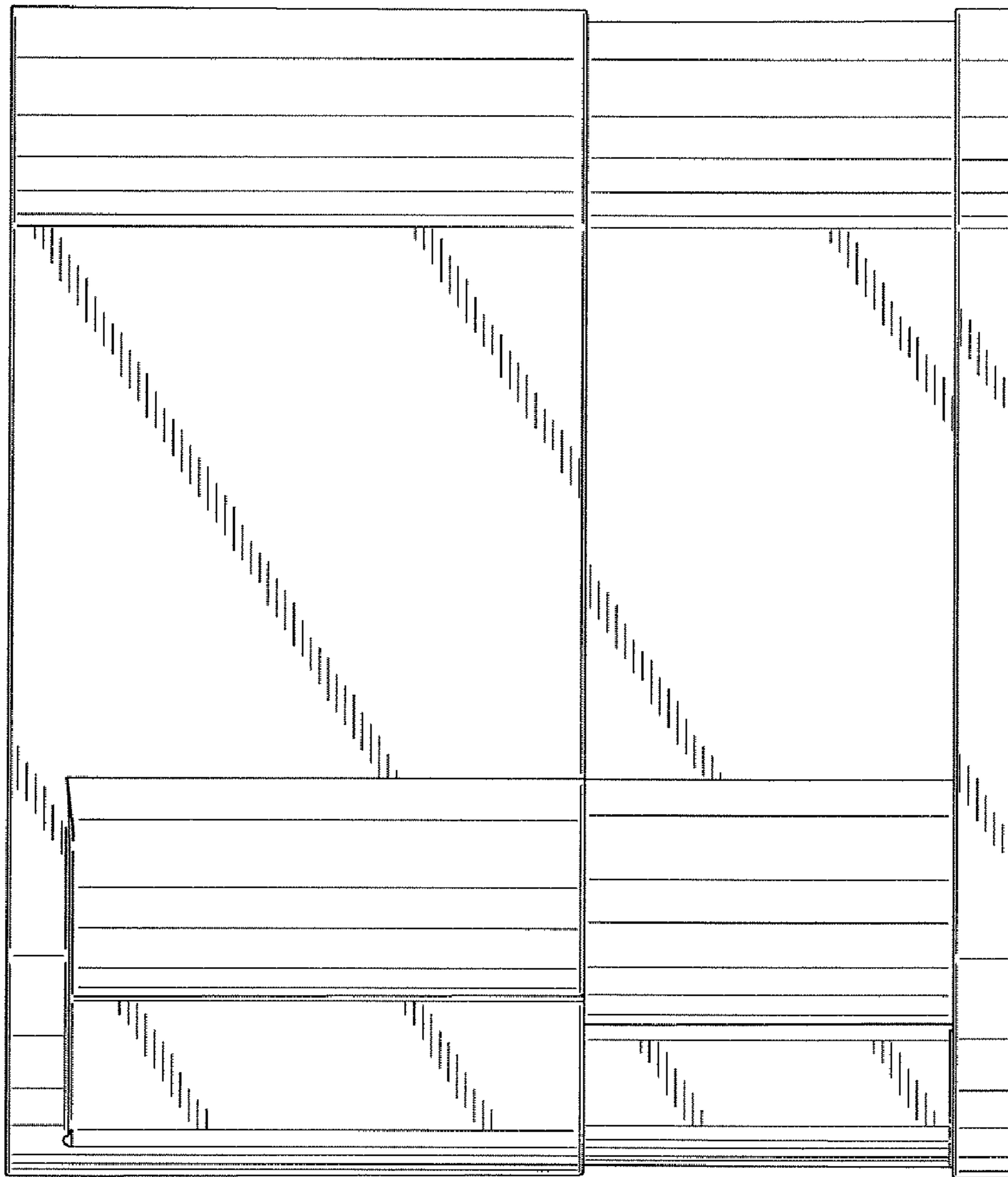


FIG. 4

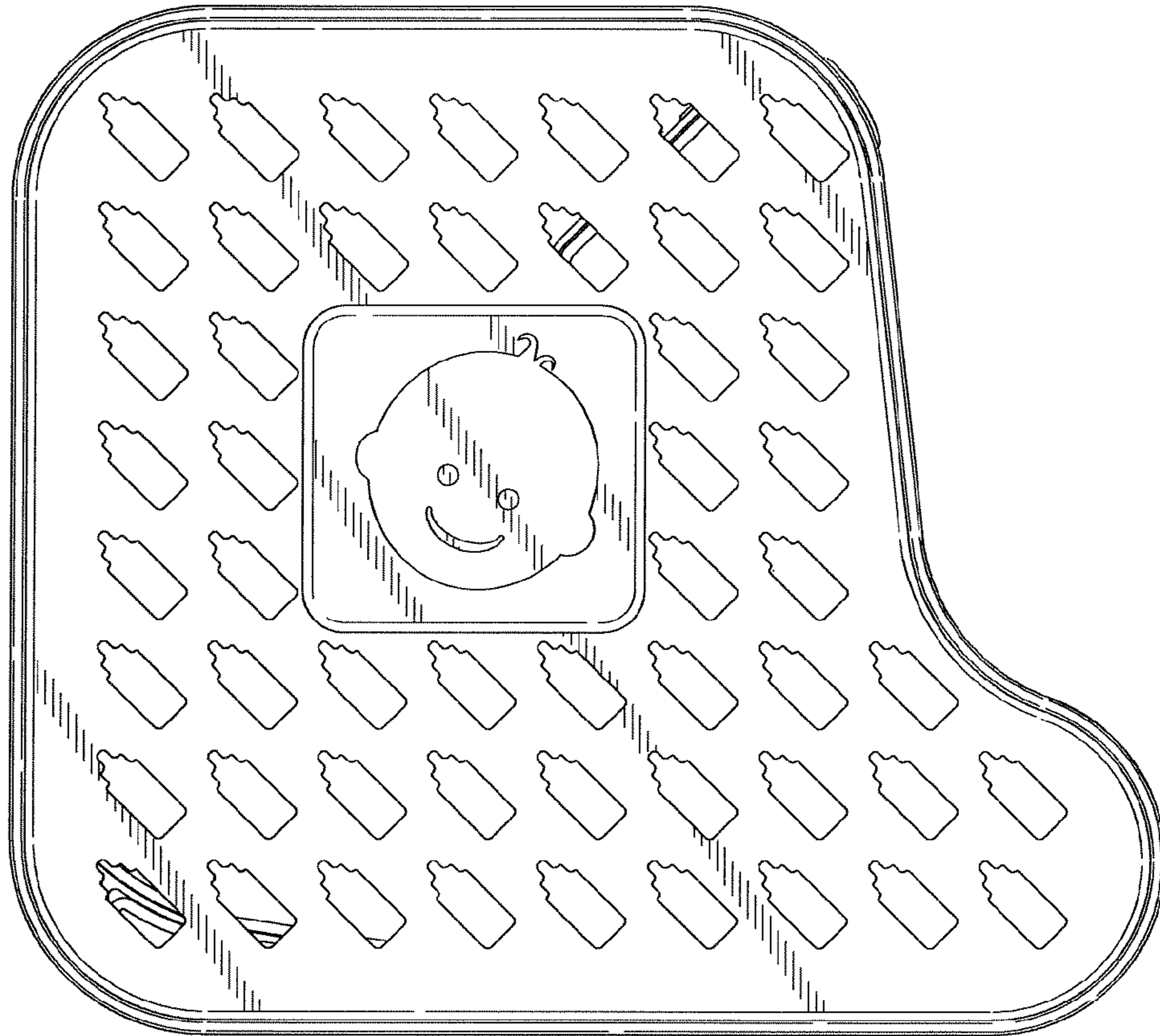


FIG. 5

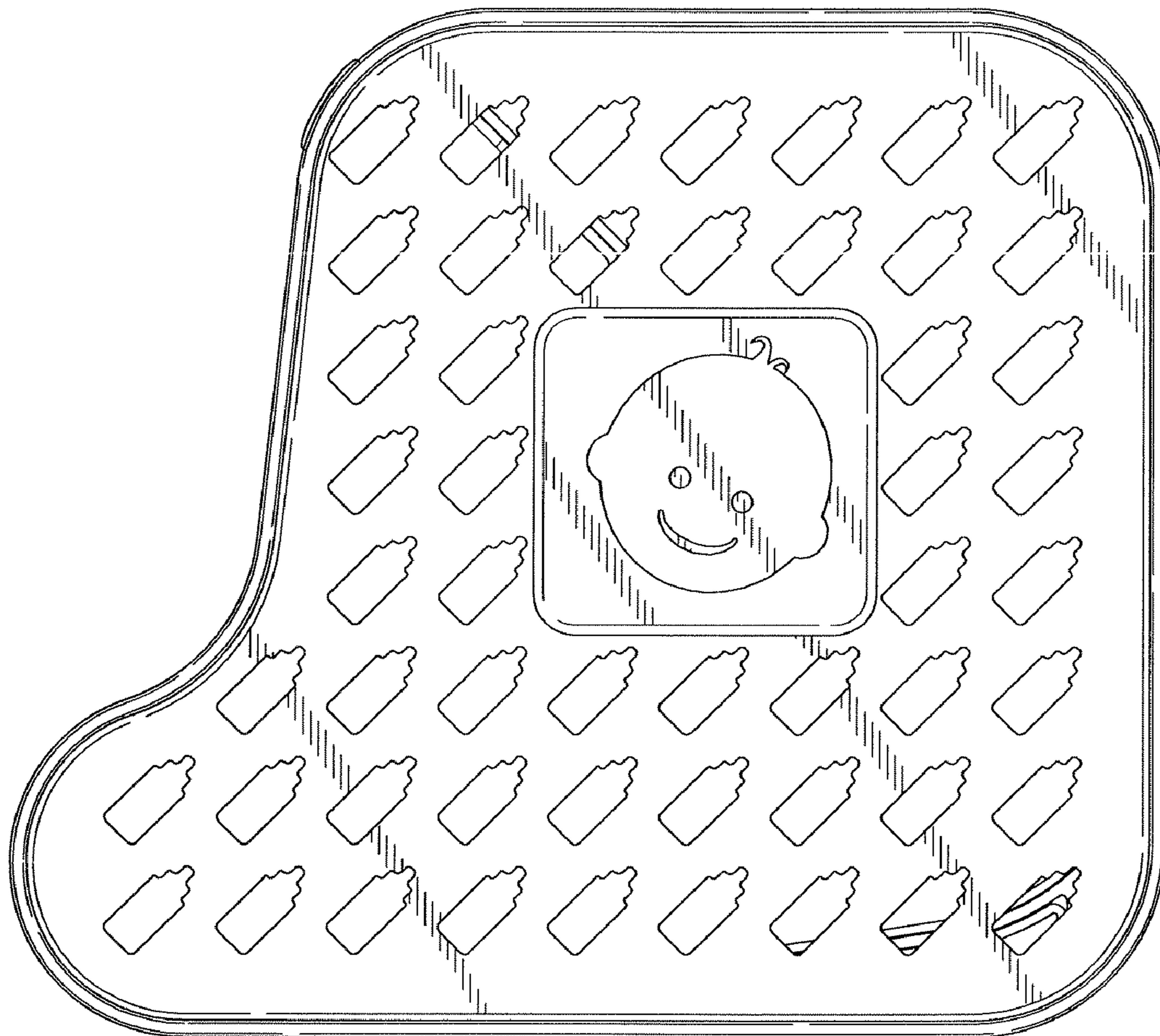


FIG. 6

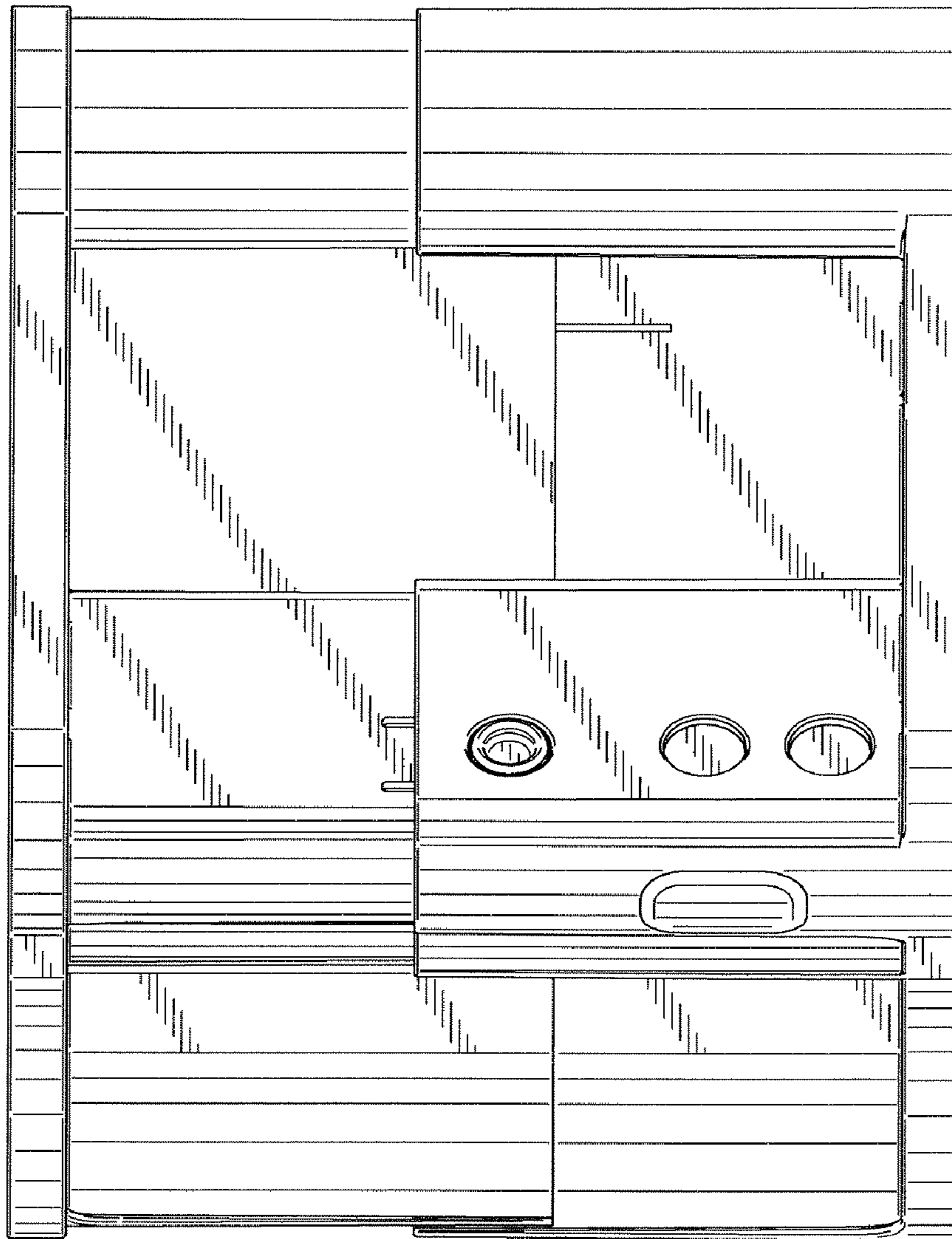


FIG. 7

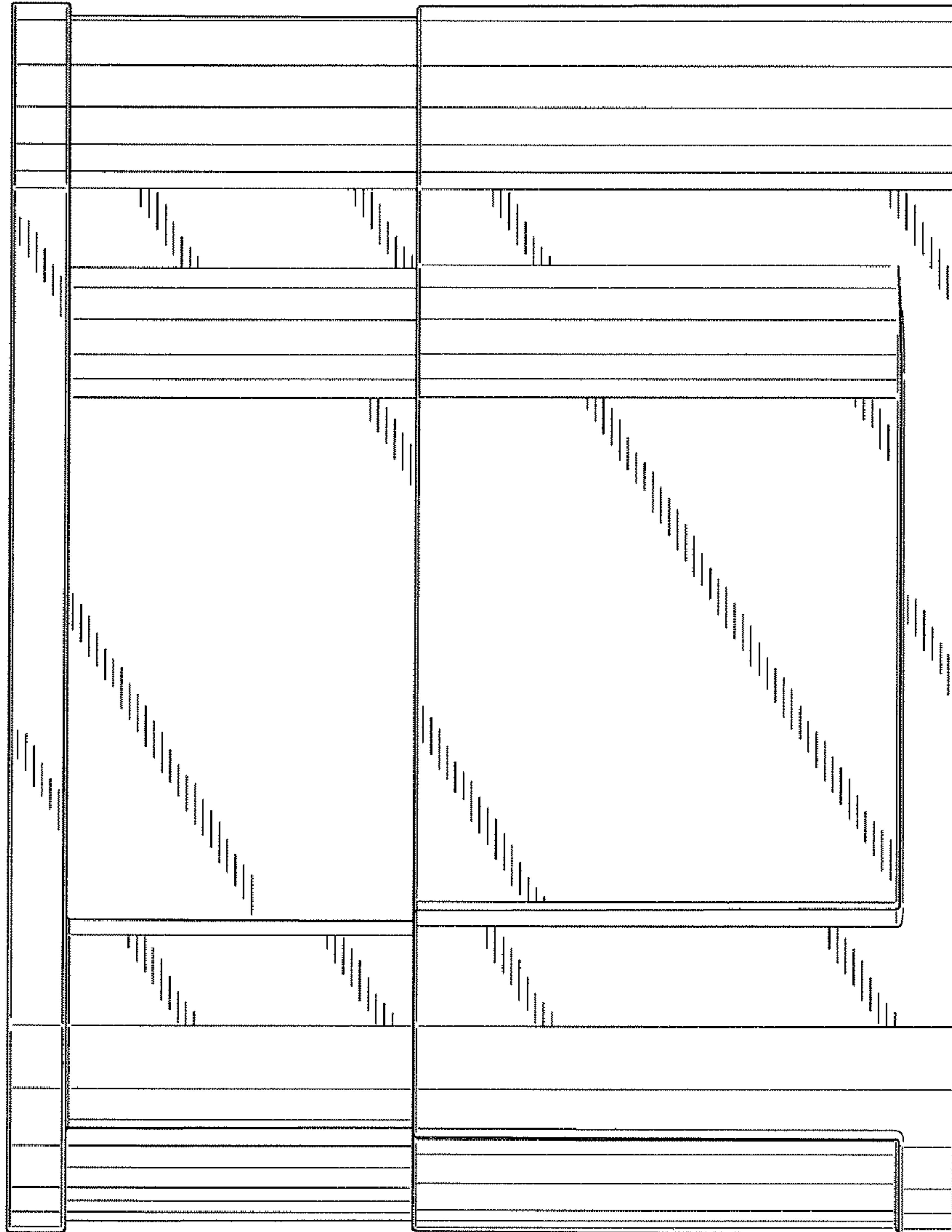


FIG. 8