



US00D652656S

(12) **United States Design Patent**
McCurry

(10) **Patent No.:** **US D652,656 S**
(45) **Date of Patent:** **** Jan. 24, 2012**

- (54) **TABLE**
- (75) Inventor: **Margaret McCurry**, Chicago, IL (US)
- (73) Assignee: **Landscape Forms, Inc.**, Kalamazoo, MI (US)
- (**) Term: **14 Years**
- (21) Appl. No.: **29/388,612**
- (22) Filed: **Mar. 31, 2011**
- (51) **LOC (9) Cl.** **06-06**
- (52) **U.S. Cl.** **D6/495; D6/488**
- (58) **Field of Classification Search** D6/480-489, D6/495-499, 429, 426; 108/150, 50.01, 108/50.02, 155, 153.1, 156, 157.13, 161, 108/157.14; 248/188, 188.1, 174
See application file for complete search history.

Primary Examiner — Janice Seeger
(74) *Attorney, Agent, or Firm* — Heslin Rothenberg Farley & Mesiti P.C.

(57) **CLAIM**

The ornamental design for the table, as shown and described.

DESCRIPTION

FIG. 1 is an isometric view of a first embodiment of the table of the present design;
FIG. 2 is a front elevation view thereof, the rear elevation view being identical thereto;
FIG. 3 is a right side elevation view thereof, the left side elevation view being identical thereto;
FIG. 4 is a top plan view thereof;
FIG. 5 is an isometric view of a second embodiment;
FIG. 6 is a front elevation view of the second embodiment, the rear, right side and left side elevational views being identical thereto; and,
FIG. 7 is a top plan view of the second embodiment.
The broken lines in the figures are for illustrative purposes only and form no part of the claimed invention.

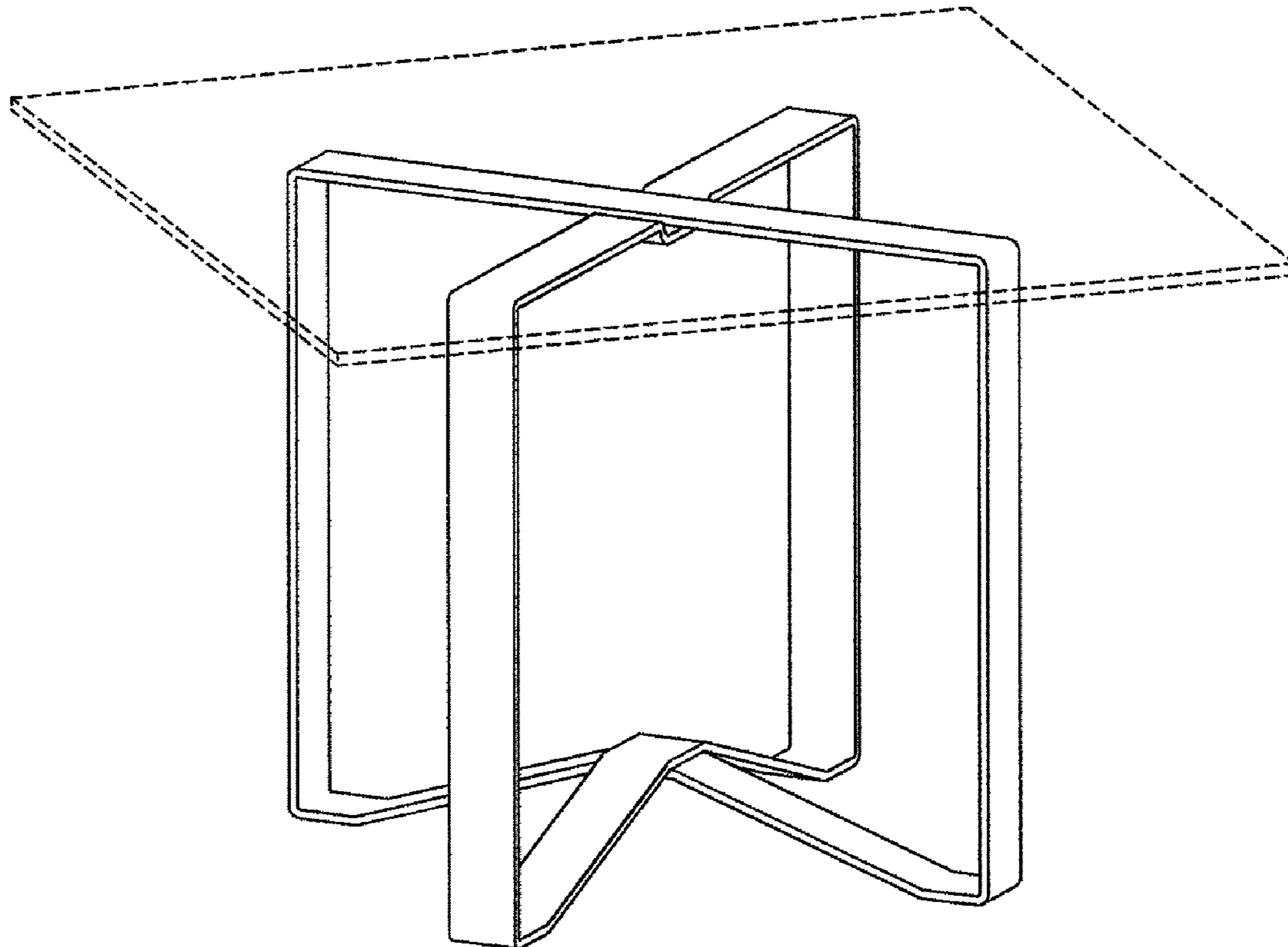
(56) **References Cited**

U.S. PATENT DOCUMENTS

1,652,942	A	*	12/1927	James	108/159
D200,713	S	*	3/1965	Pearsall	D6/498
D239,487	S	*	4/1976	Hysten	D6/455
D258,104	S	*	2/1981	Baker	D6/488
D441,992	S	*	5/2001	Noll	D6/495
D452,784	S	*	1/2002	Lewis	D6/495
D572,046	S	*	7/2008	Hunziker	D6/484

* cited by examiner

1 Claim, 7 Drawing Sheets



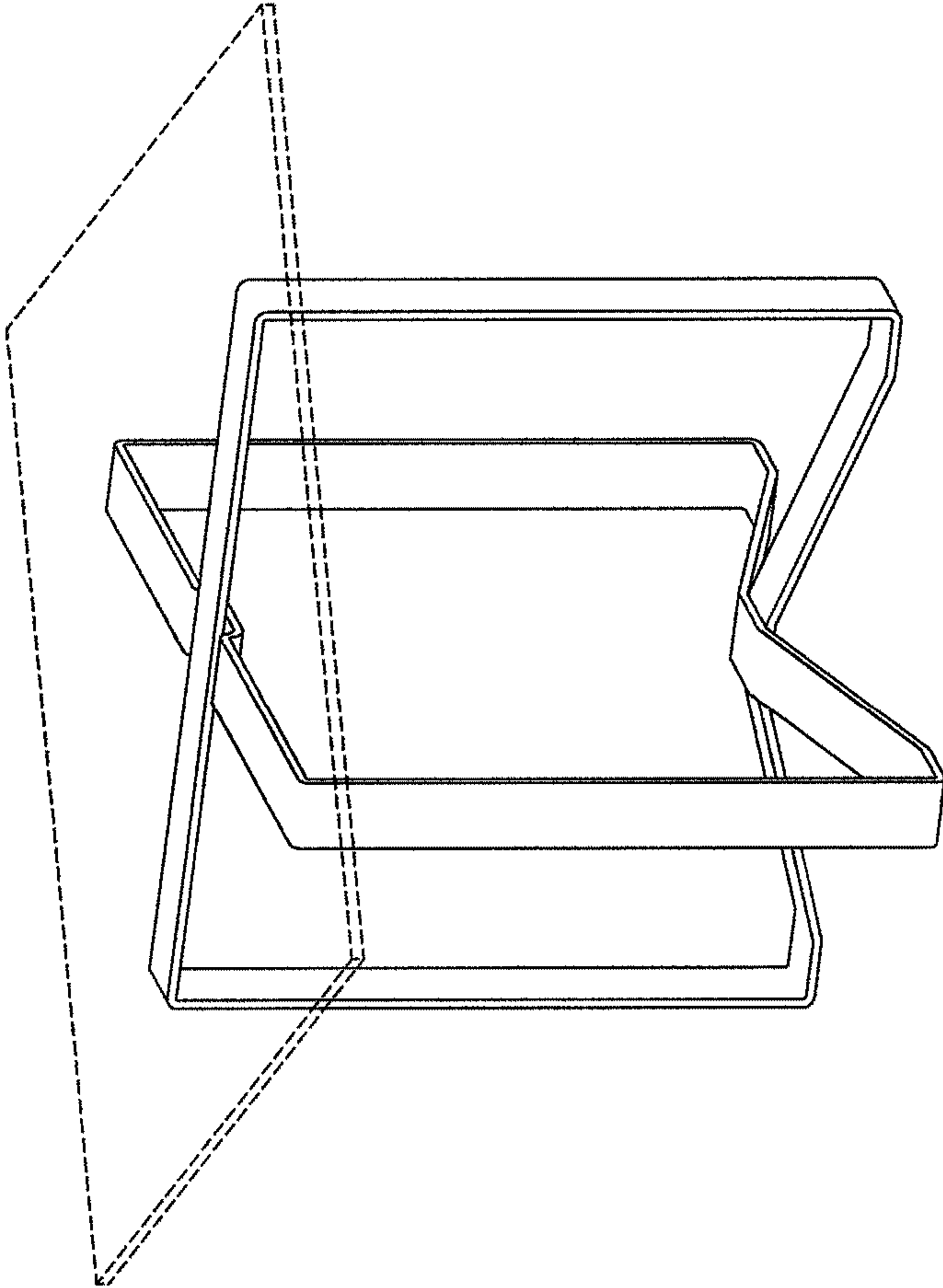


FIGURE 1

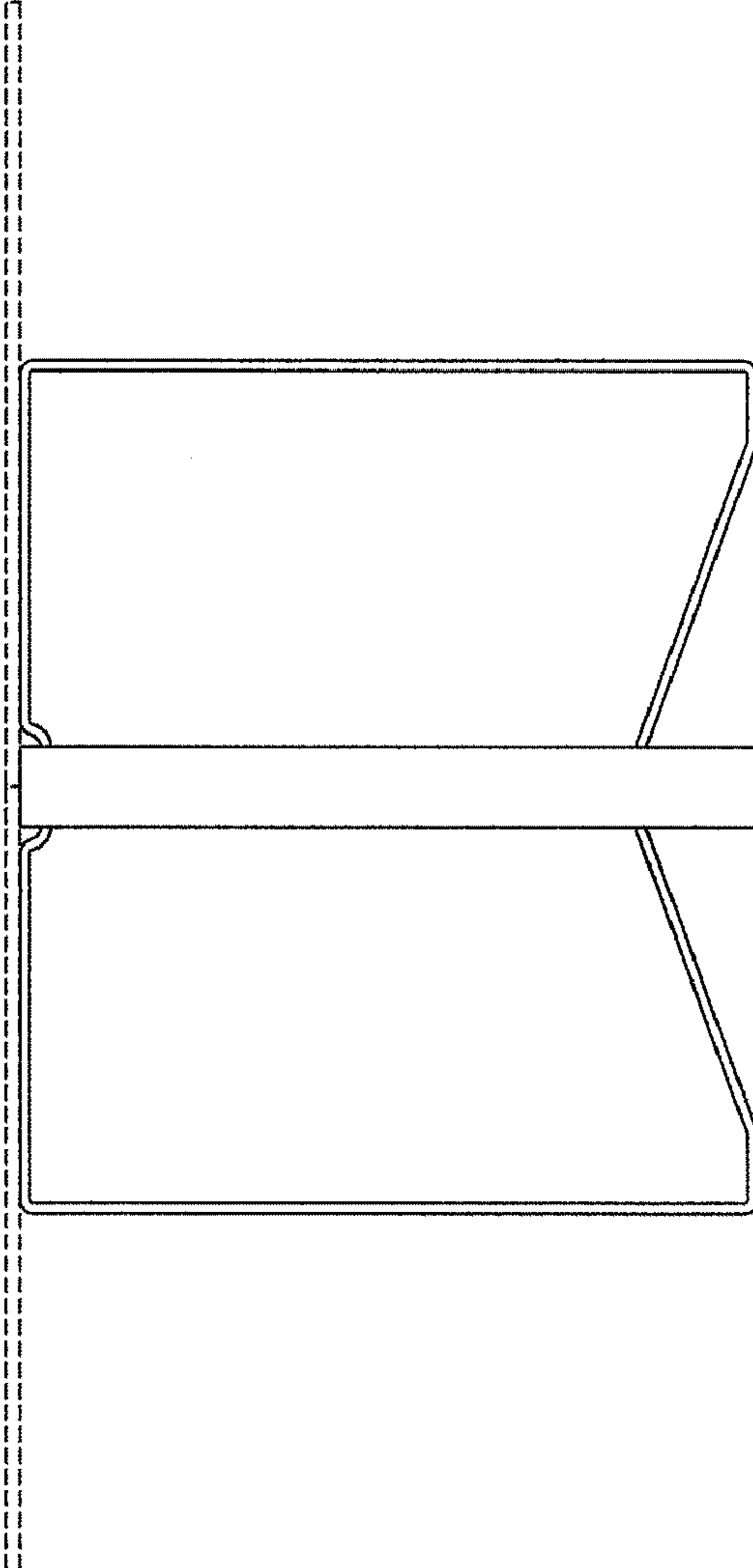


FIGURE 2

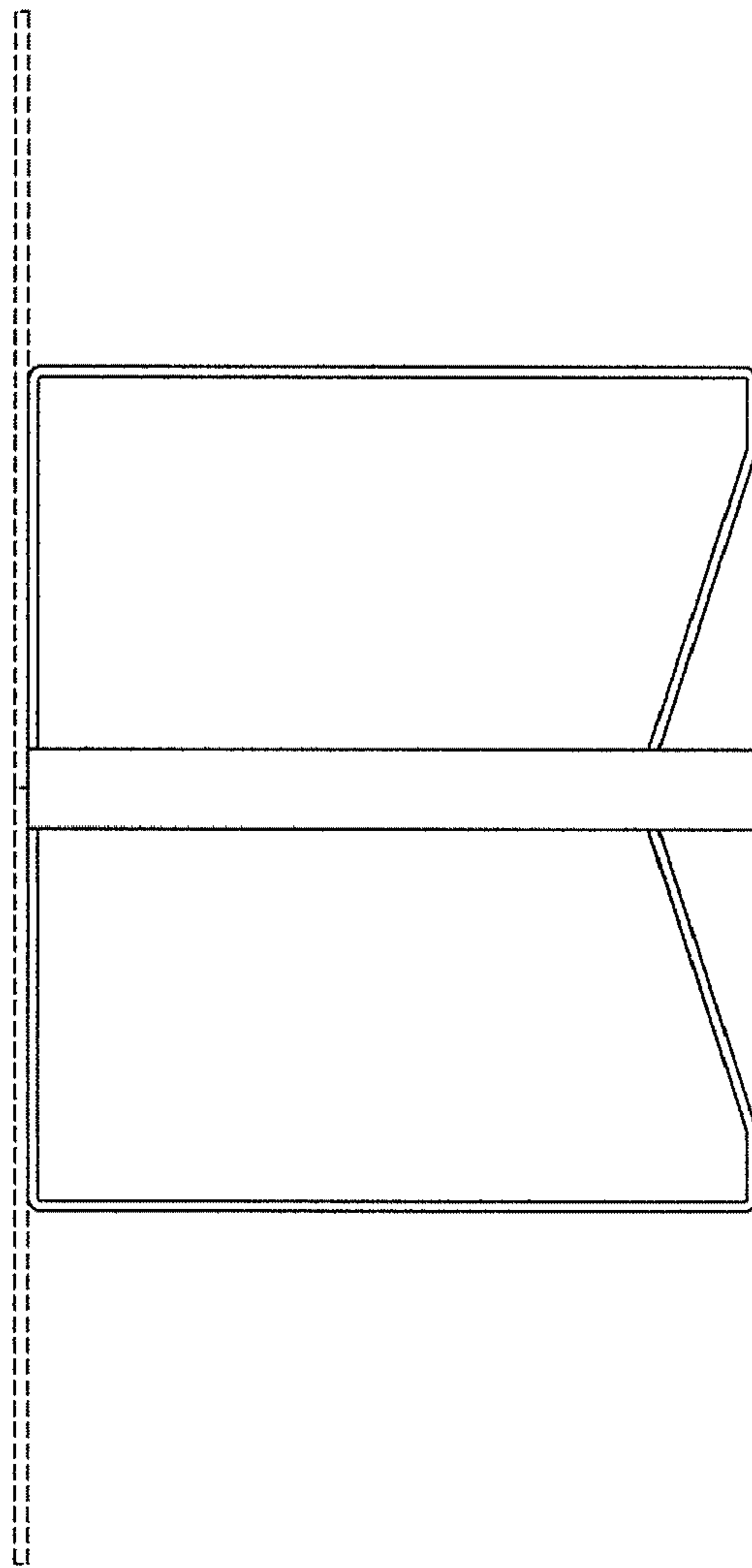


FIGURE 3

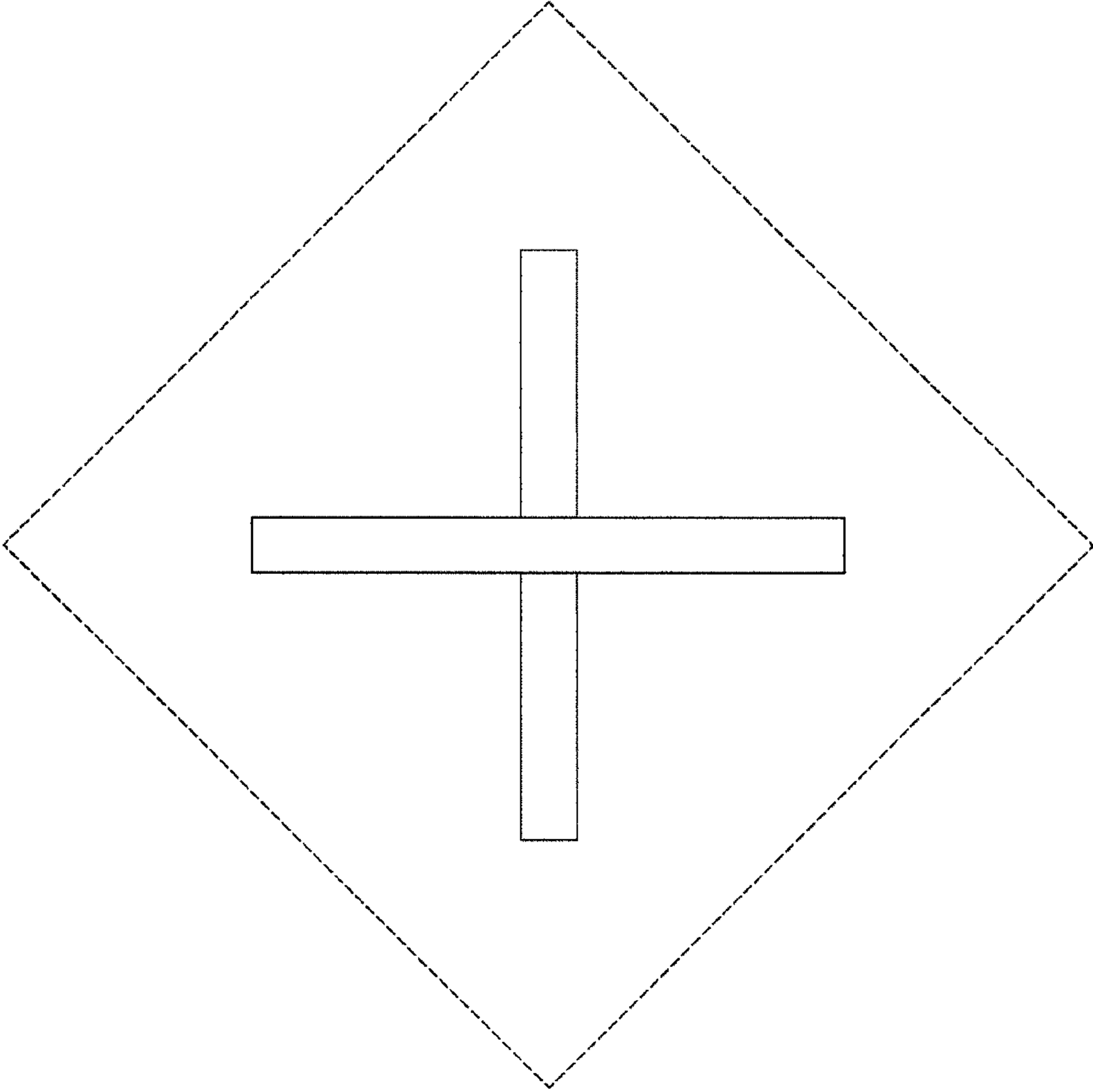


FIGURE 4

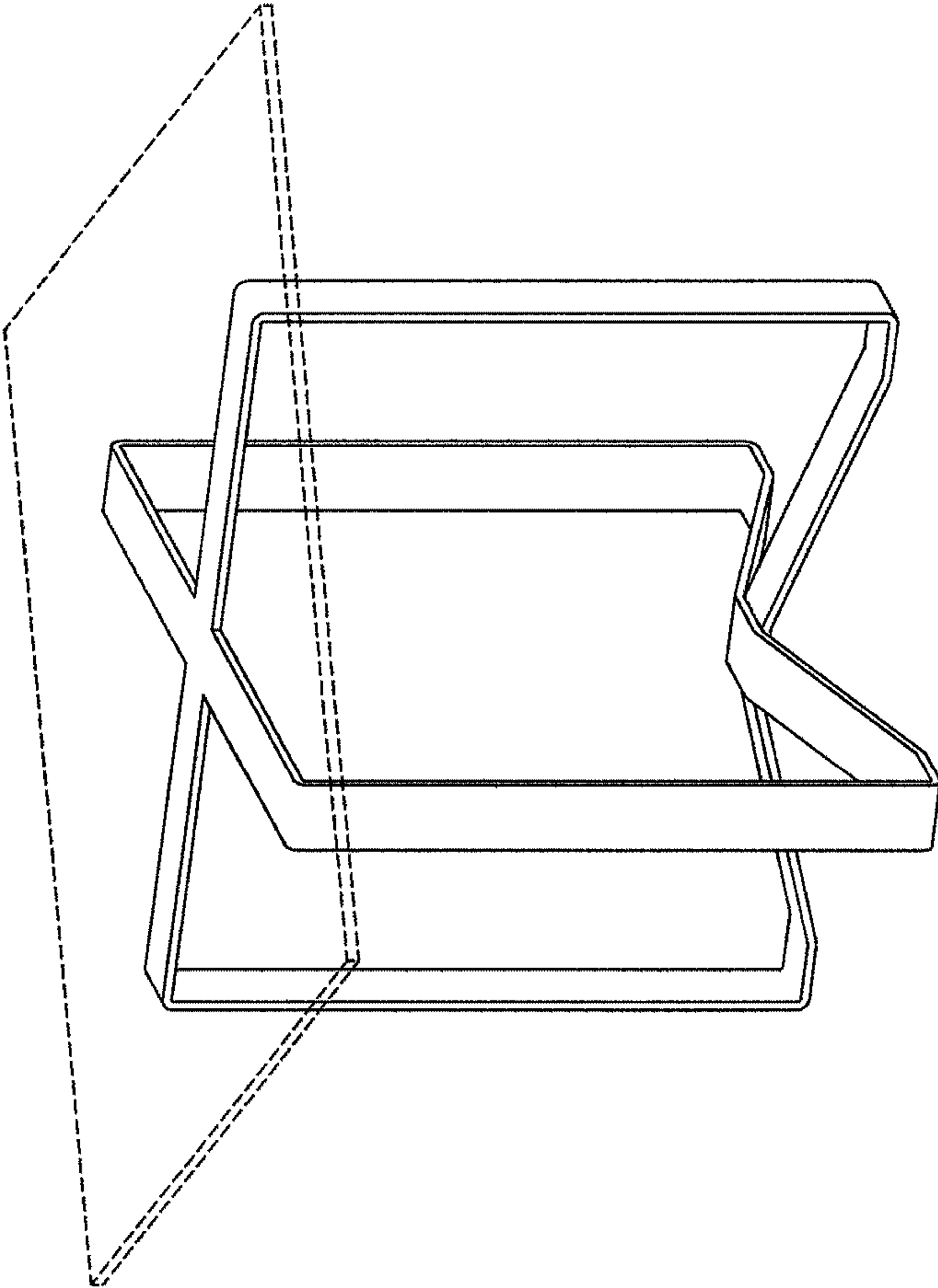


FIGURE 5

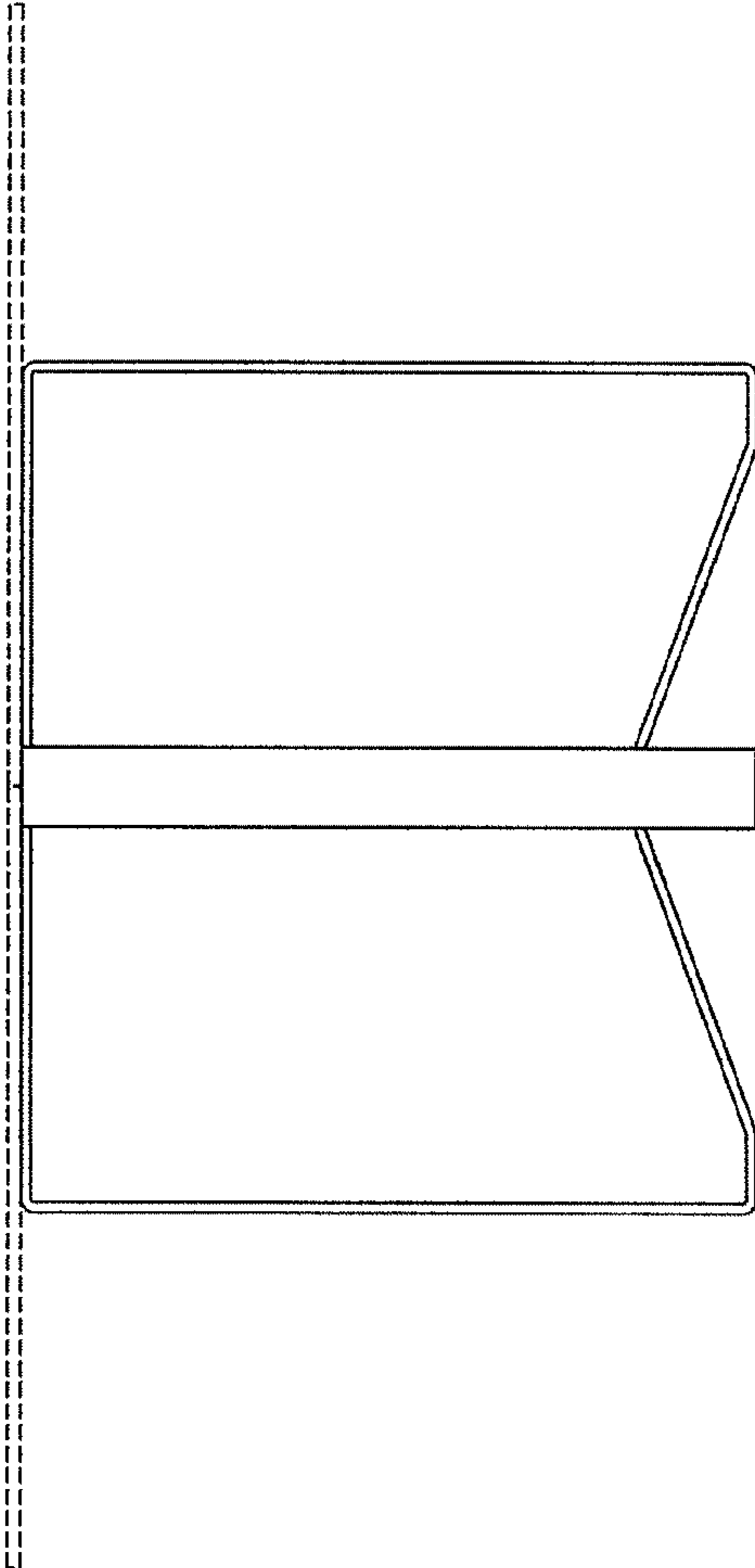


FIGURE 6

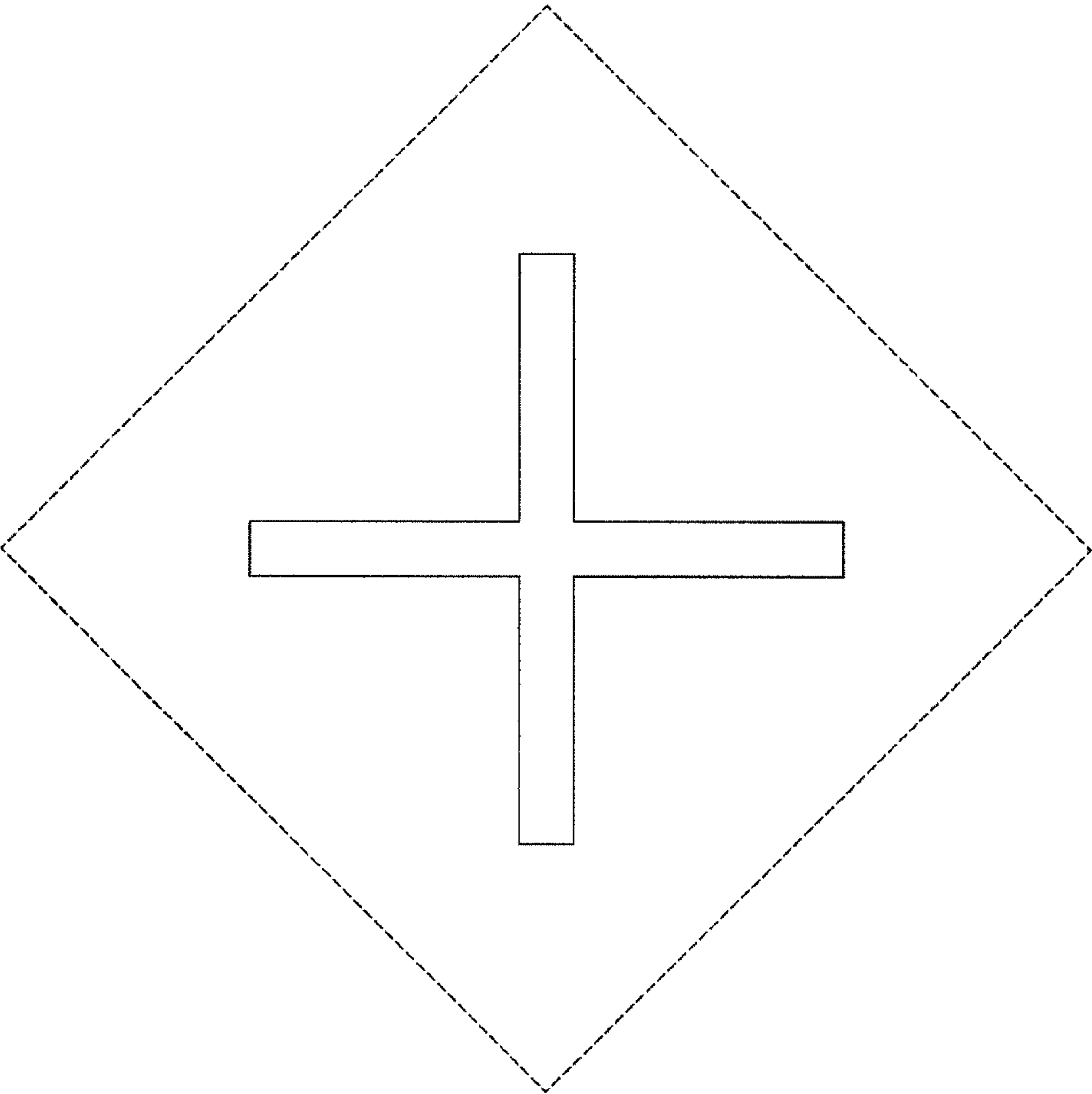


FIGURE 7