



US00D652655S

(12) **United States Design Patent**
Parizek et al.

(10) **Patent No.:** **US D652,655 S**
(45) **Date of Patent:** **** Jan. 24, 2012**

(54) **TRANSACTION TABLE**

- (75) Inventors: **Scott Parizek**, Lakeville, MN (US);
Dixon Gimpel, Prior Lake, MN (US)
- (73) Assignee: **Skyline Displays, Inc.**, Eagan, MN (US)
- (**) Term: **14 Years**
- (21) Appl. No.: **29/401,019**
- (22) Filed: **Sep. 6, 2011**

Related U.S. Application Data

- (62) Division of application No. 29/357,898, filed on Mar. 18, 2010, now Pat. No. Des. 646,508.
- (51) **LOC (9) Cl.** **06-03**
- (52) **U.S. Cl.** **D6/486; D6/481; D6/419**
- (58) **Field of Classification Search** D6/480-489,
D6/429-431, 495-499, 419, 422-426; 108/150,
108/153.1, 155, 156, 161, 157.14; 248/188,
248/188.1, 188.7, 188.8; 297/440.12
See application file for complete search history.

(56) **References Cited**

U.S. PATENT DOCUMENTS

D188,938	S	*	10/1960	Tonning	D6/483
D223,371	S	*	4/1972	Allen	D6/422
3,866,550	A	*	2/1975	Geschwender	108/157.14
D290,198	S	*	6/1987	Barber	D6/422
D306,664	S	*	3/1990	Pouch	D6/429
D367,786	S	*	3/1996	Carr et al.	D6/481
D417,981	S	*	12/1999	Zwicker	D6/481

* cited by examiner

Primary Examiner — Janice Seeger

(74) *Attorney, Agent, or Firm* — Larkin Hoffman Daly & Lindgren Ltd.; Thomas J. Oppold

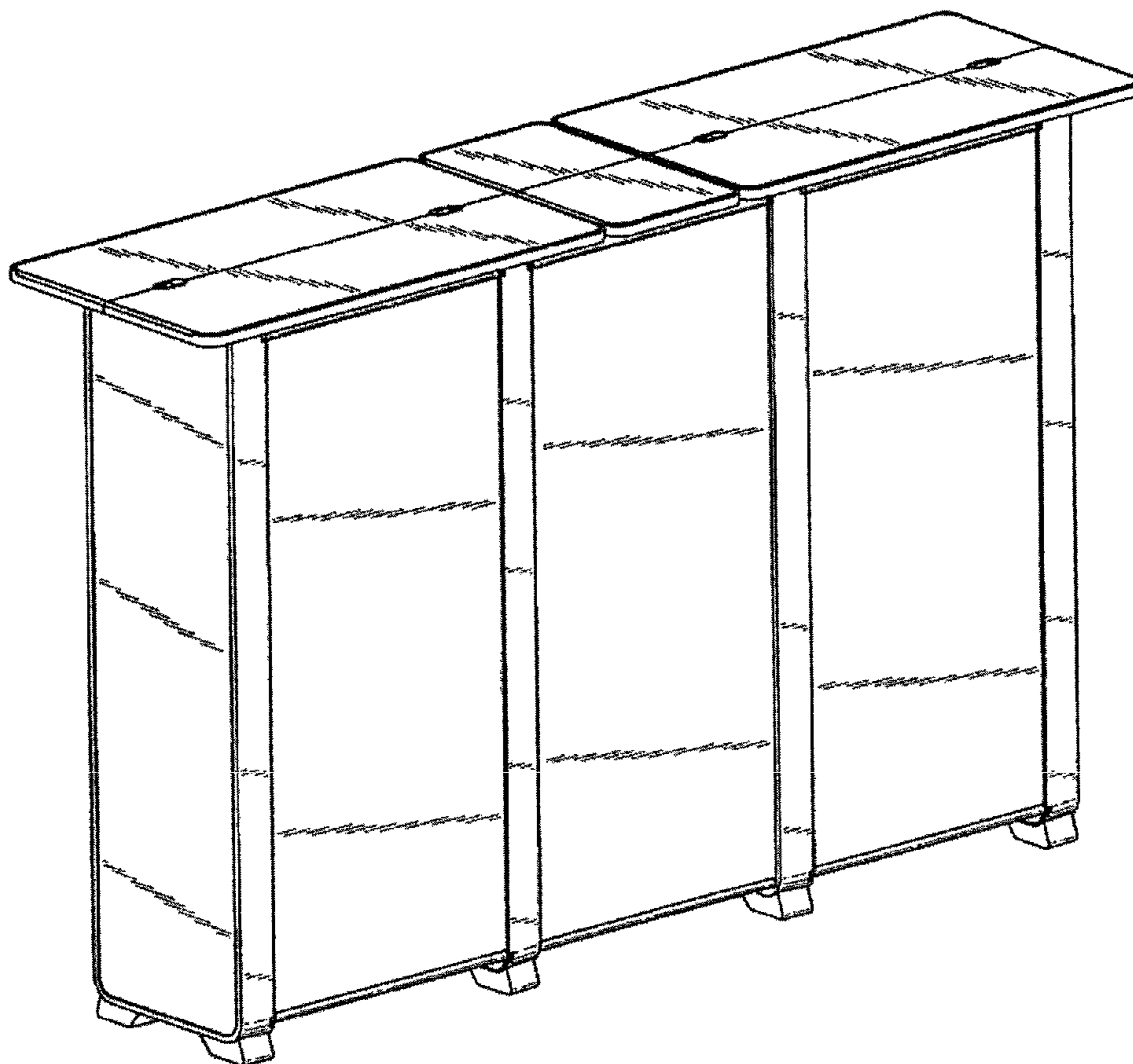
(57) **CLAIM**

The ornamental design of a transaction table, as shown and described.

DESCRIPTION

FIG. 1 is a front perspective view of a transaction table; and, FIG. 2 is a rear perspective view of the transaction table of FIG. 1.

1 Claim, 2 Drawing Sheets



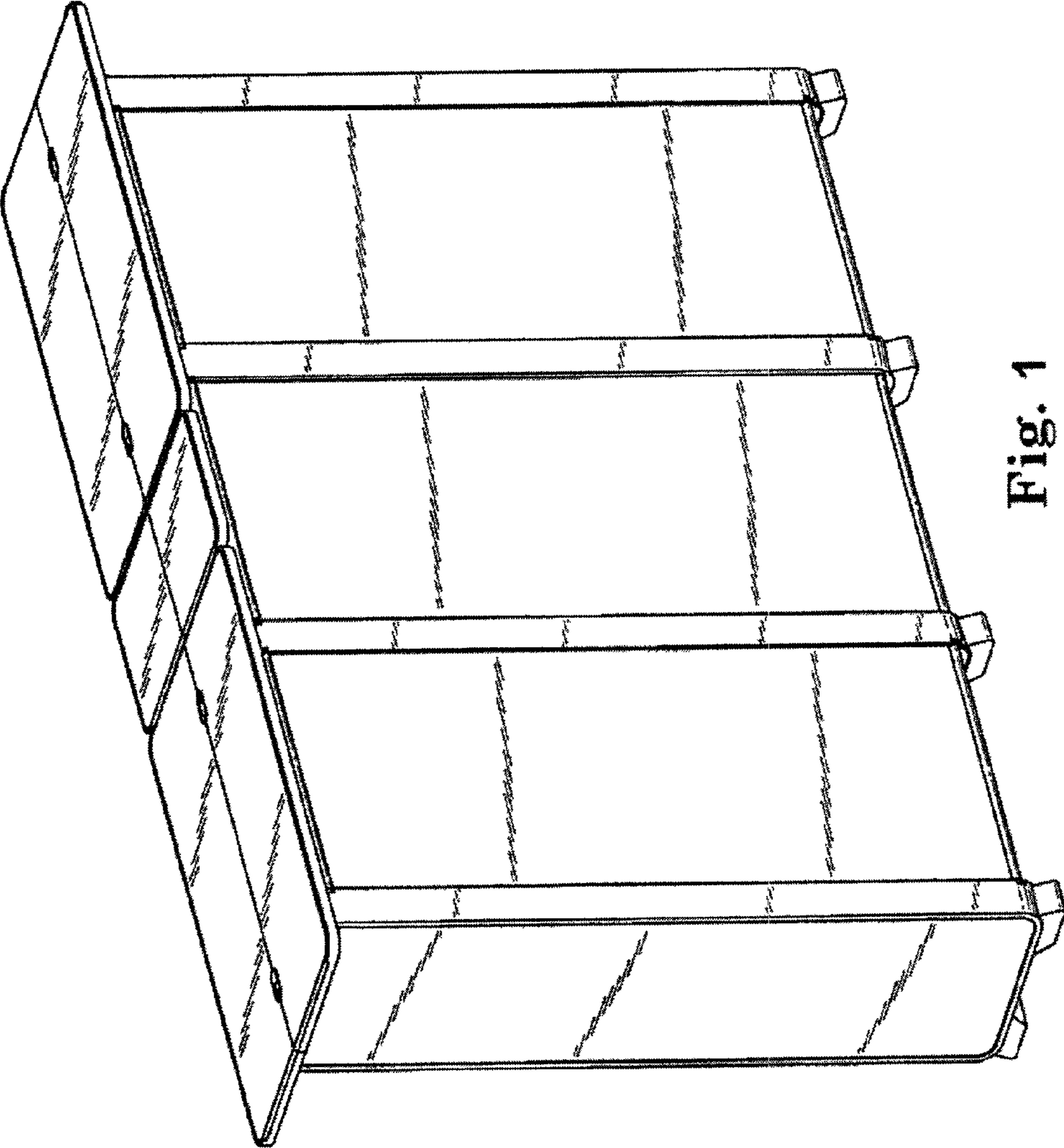


Fig. 1

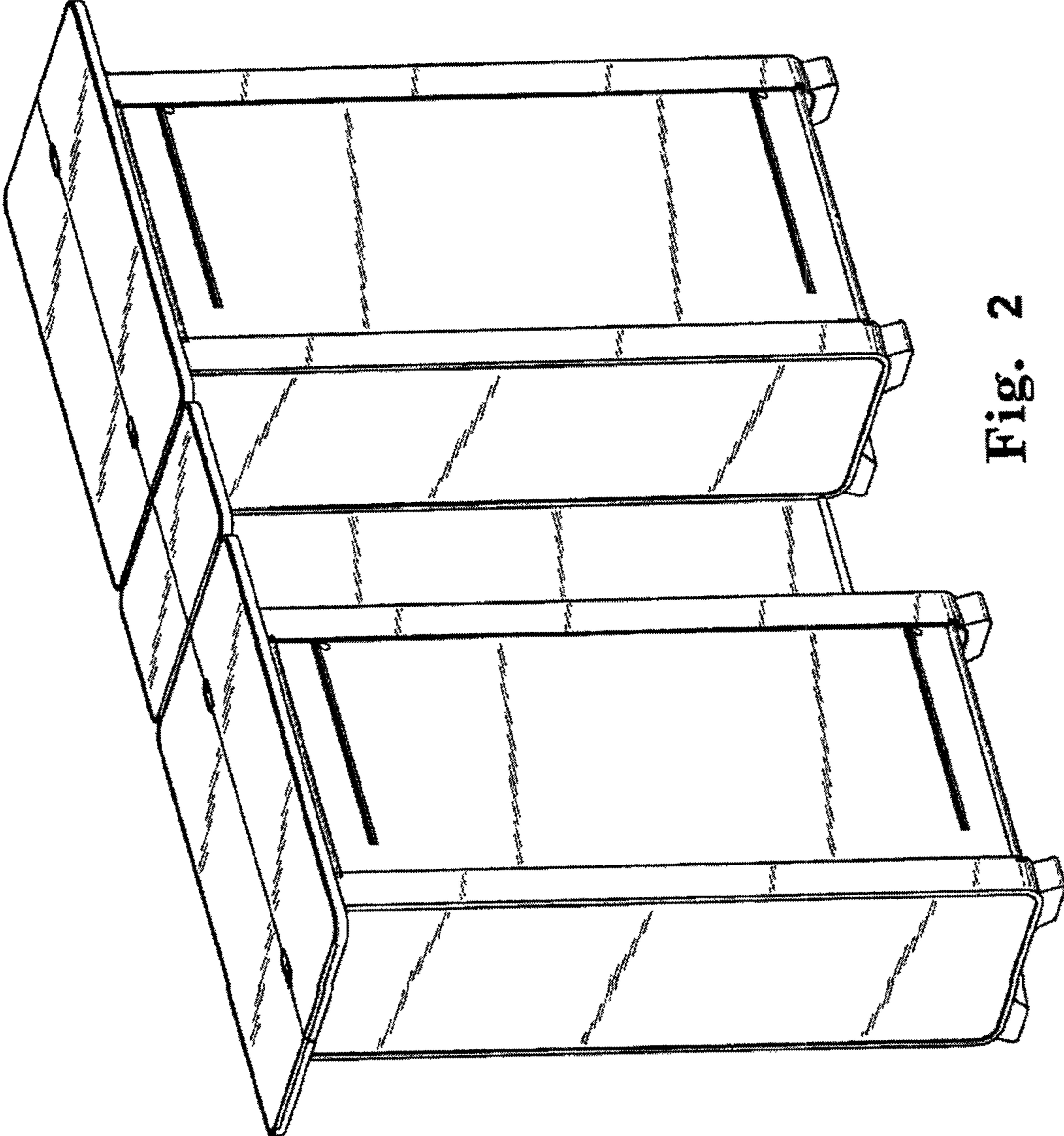


Fig. 2