



US00D652654S

(12) **United States Design Patent**
Lin

(10) **Patent No.:** **US D652,654 S**
(45) **Date of Patent:** **** Jan. 24, 2012**

(54) **DINING TABLE**

(75) Inventor: **Chen-Chieh Lin**, Taichung (TW)

(73) Assignee: **Chan Hong Trading Co., Ltd.**, Majuro (MH)

(**) Term: **14 Years**

(21) Appl. No.: **29/362,086**

(22) Filed: **May 19, 2010**

(51) **LOC (9) Cl.** **06-03**

(52) **U.S. Cl.** **D6/484**

(58) **Field of Classification Search** D6/480-489,
D6/495-499, 511, 429-431; 248/188, 188.1,
248/188.8, 440.1; 108/150, 155, 156, 157.1,
108/161, 69, 83

See application file for complete search history.

(56) **References Cited**

U.S. PATENT DOCUMENTS

2,614,013	A	*	10/1952	Langius	108/69
D188,900	S	*	9/1960	Knoll	D6/484
D203,198	S	*	12/1965	Schultz	D6/511
D363,622	S	*	10/1995	Walters et al.	D6/477

D453,083	S	*	1/2002	Hokanson	D6/484
D468,566	S	*	1/2003	Morris	D6/511
D541,559	S	*	5/2007	Lewis	D6/484
D546,589	S	*	7/2007	Kreiss	D6/484
D639,090	S	*	6/2011	Najarian	D6/484

* cited by examiner

Primary Examiner — Janice Seeger

(74) *Attorney, Agent, or Firm* — Ladas & Parry, LLP

(57) **CLAIM**

The ornamental design for dining table, as shown and described.

DESCRIPTION

FIG. 1 is a perspective view of dining table showing my new design;

FIG. 2 is a front elevational view thereof;

FIG. 3 is a rear elevational view thereof;

FIG. 4 is a left side elevational view thereof;

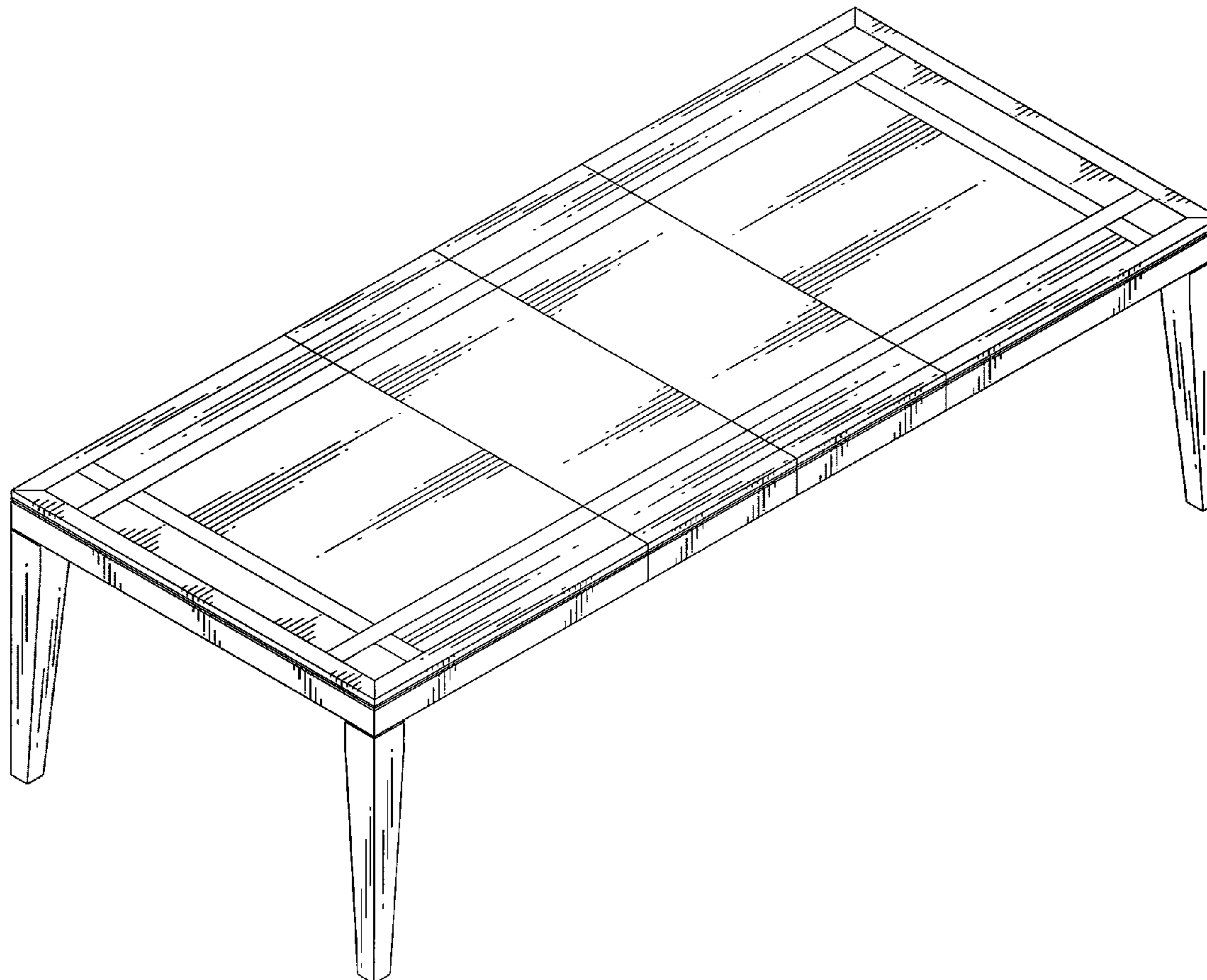
FIG. 5 is a right side elevational view thereof;

FIG. 6 is a top plan view thereof; and,

FIG. 7 is a bottom plan view thereof.

The broken lines are for environmental purposes only and form no part of the claimed design.

1 Claim, 6 Drawing Sheets



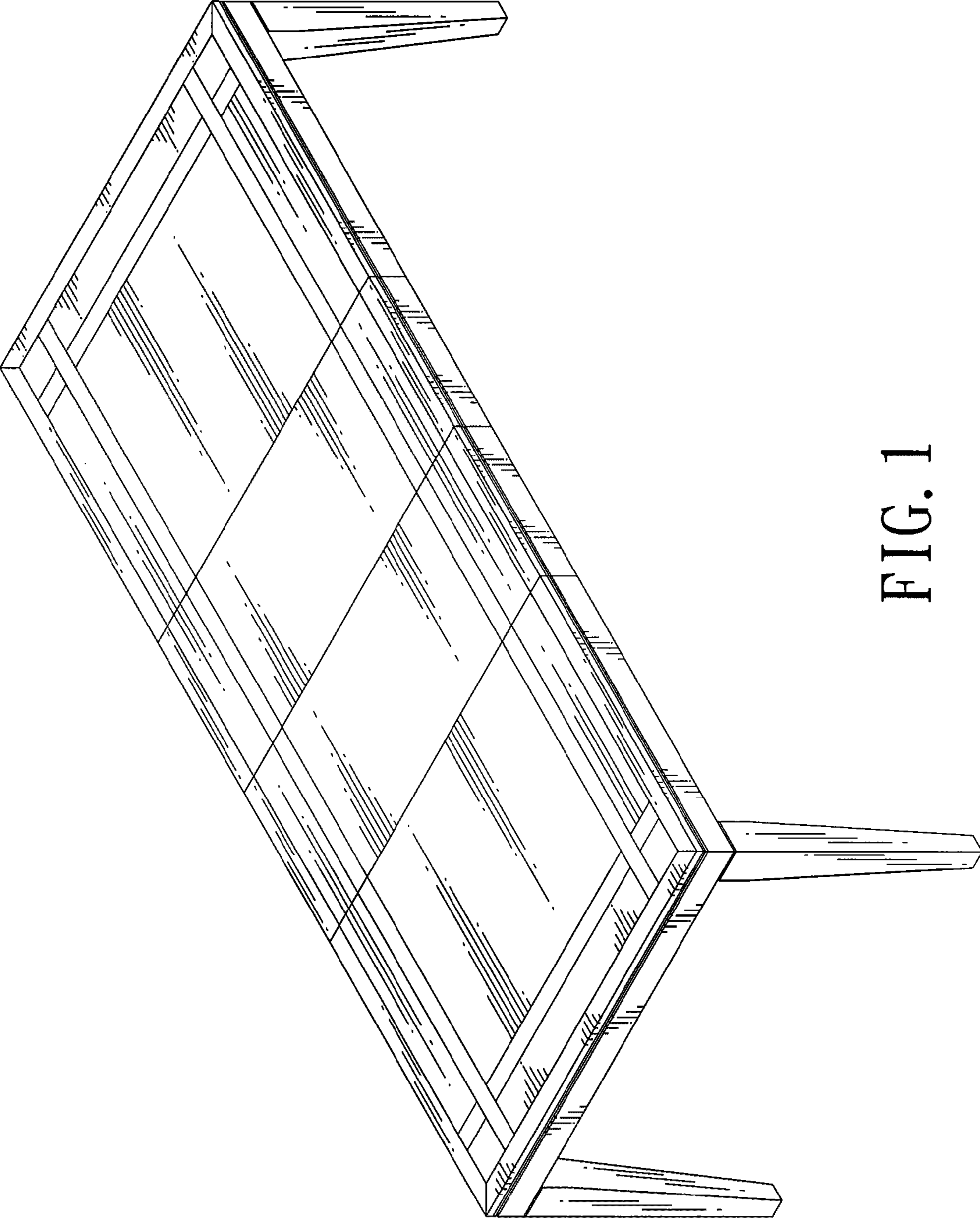


FIG. 1

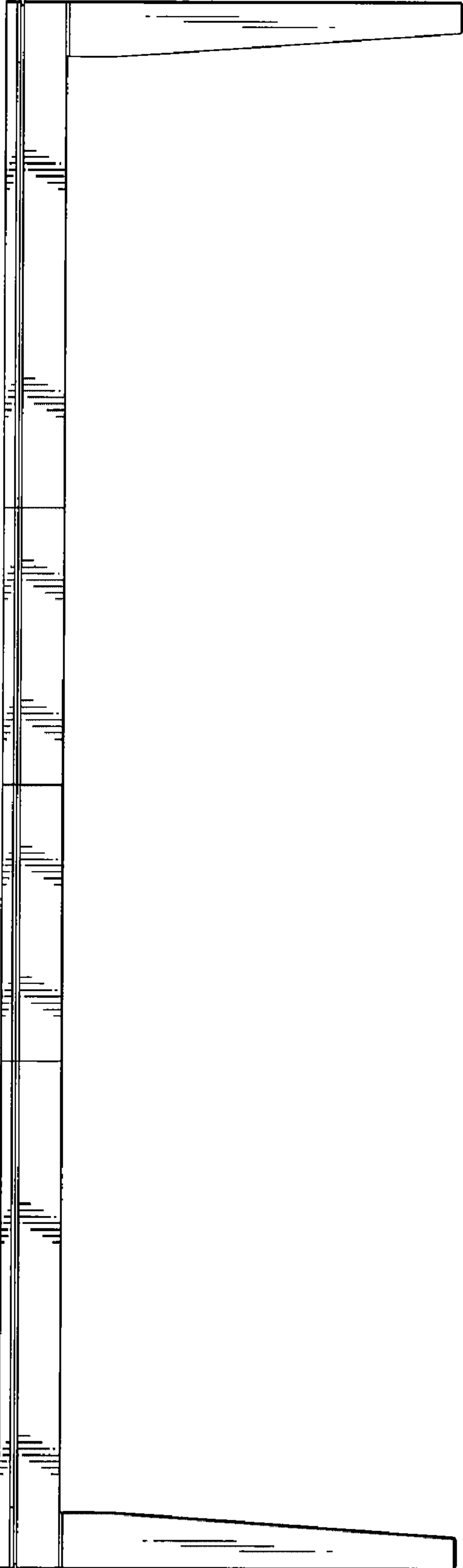


FIG. 2

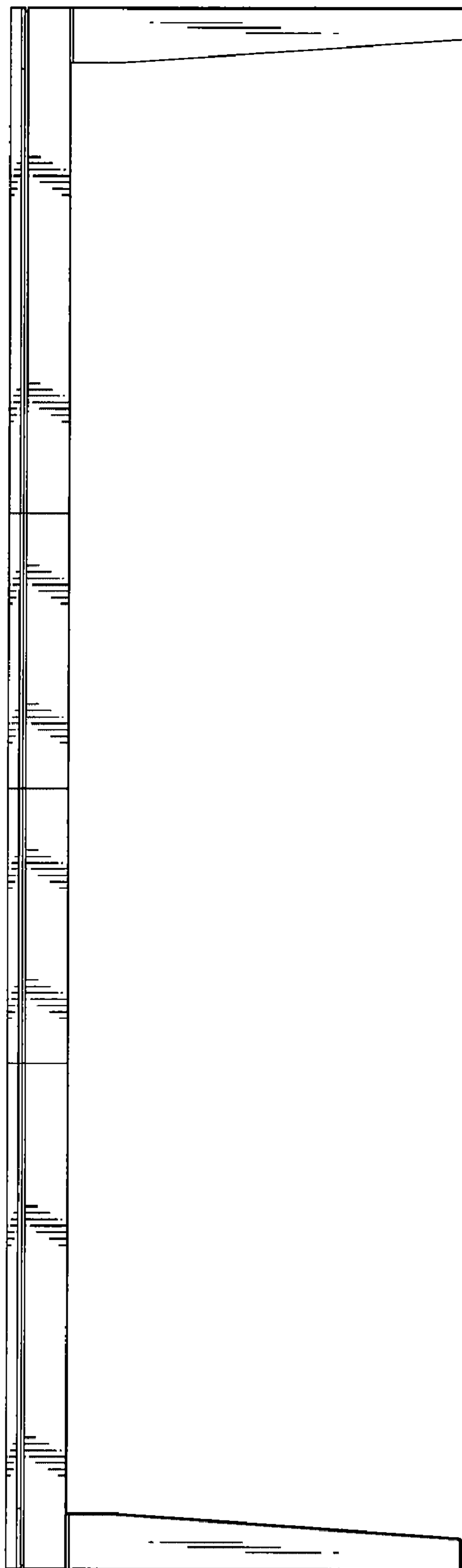


FIG. 3

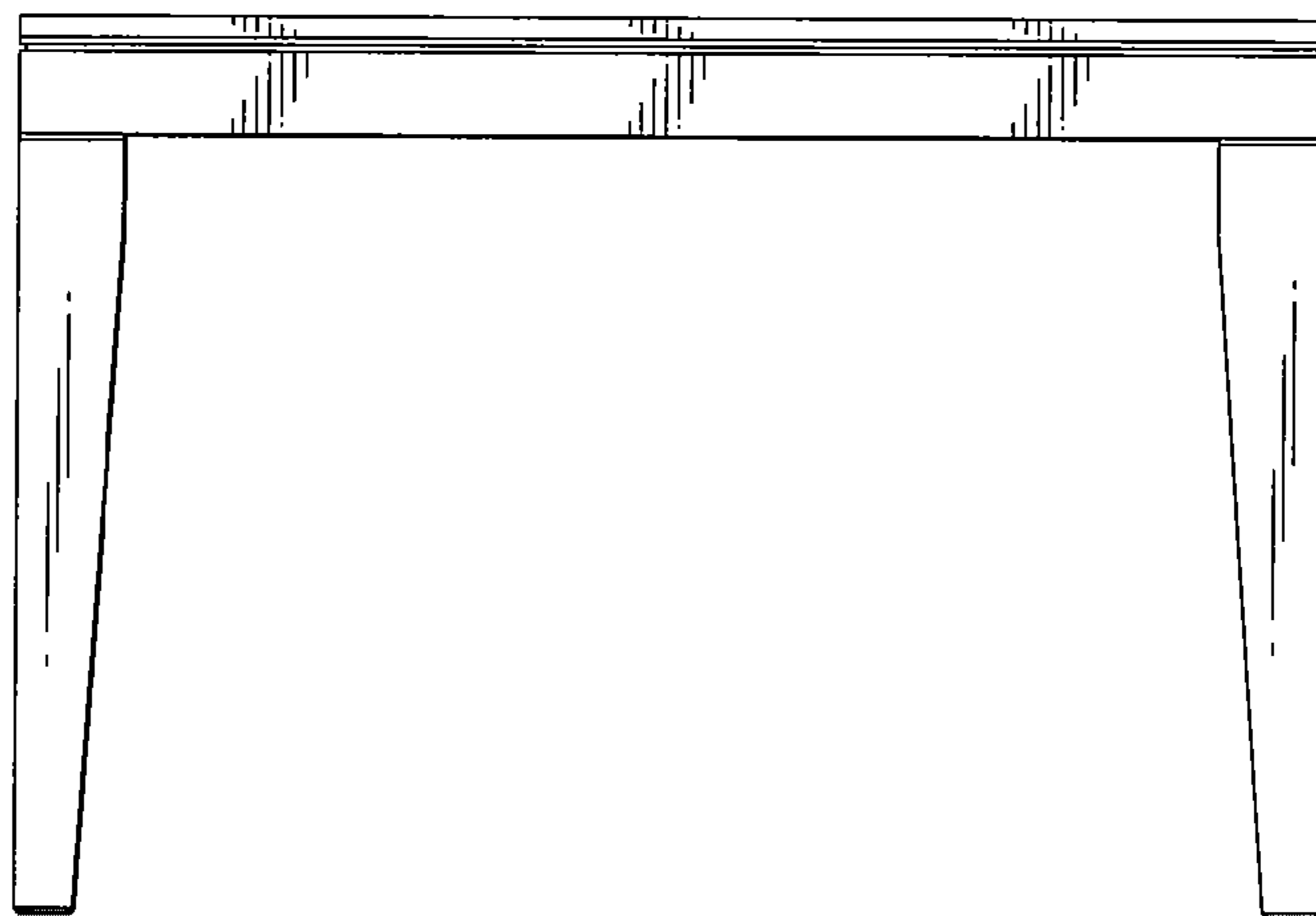


FIG. 4

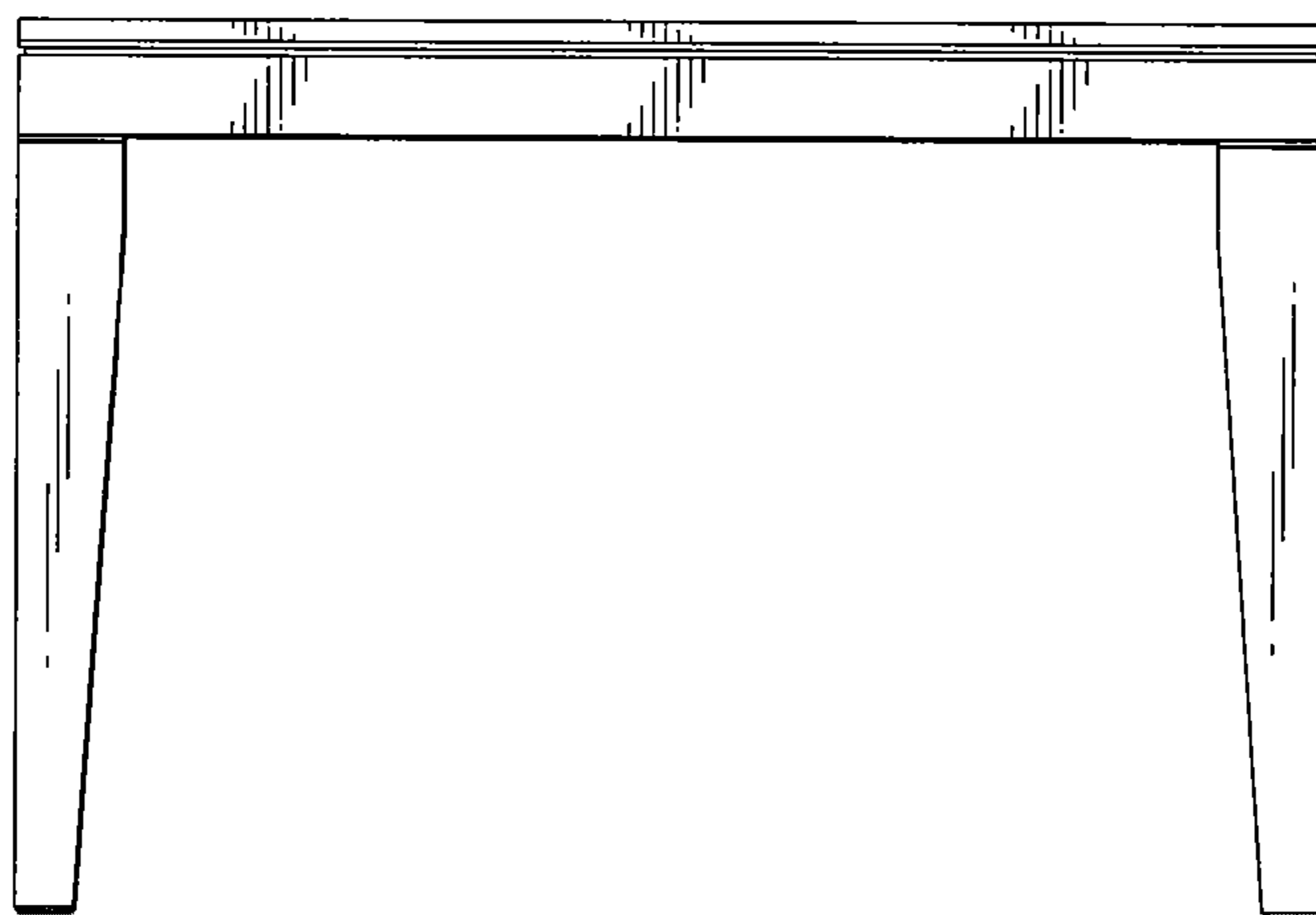


FIG. 5

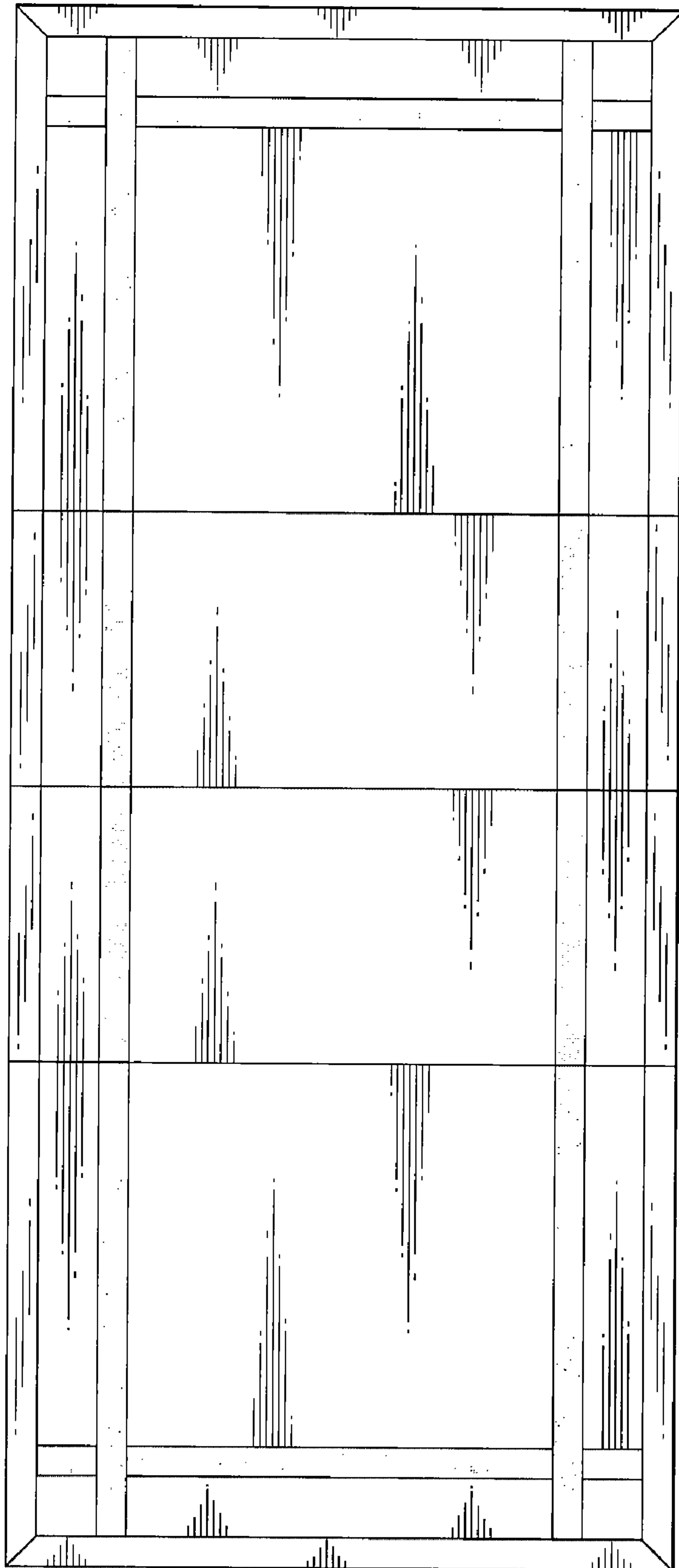


FIG. 6

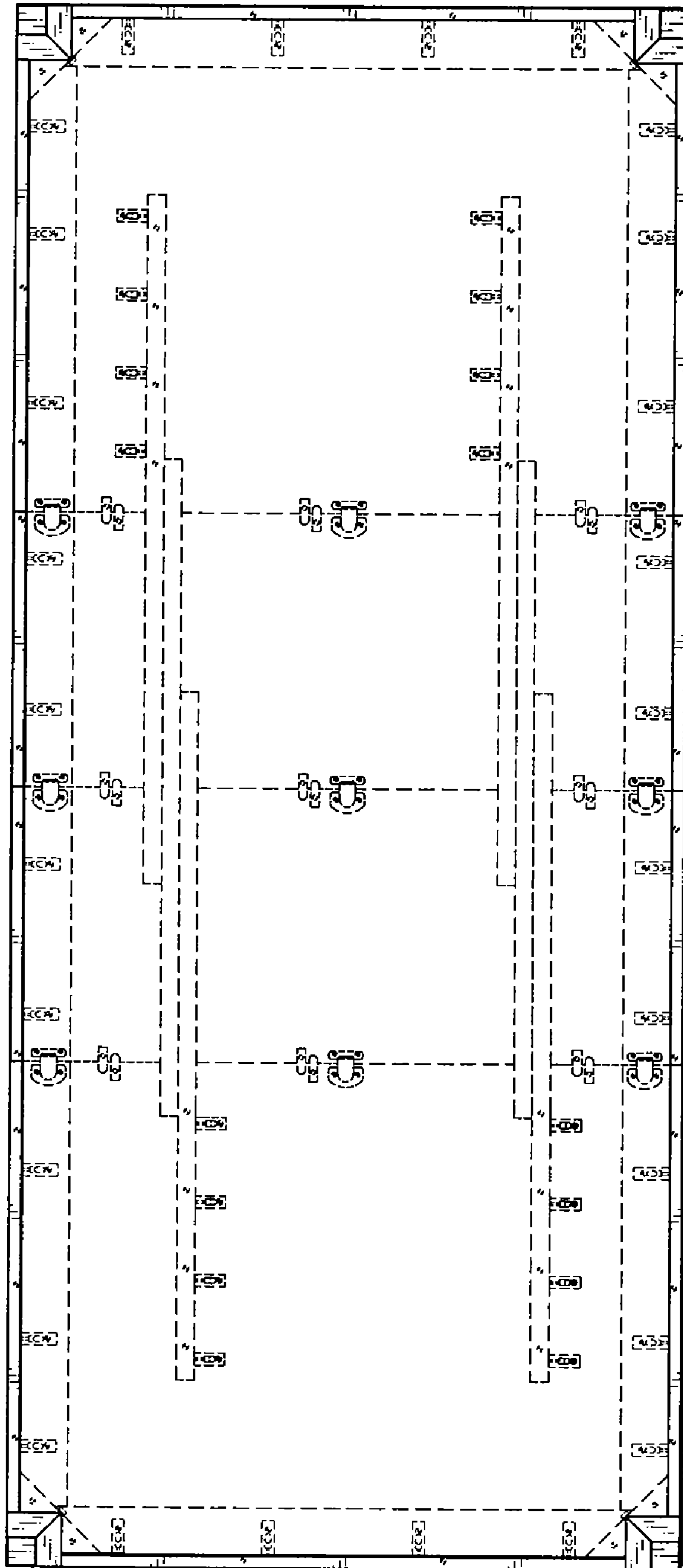


FIG. 7