



US00D652652S

(12) **United States Design Patent**
Stewart

(10) **Patent No.:** **US D652,652 S**
(45) **Date of Patent:** **** Jan. 24, 2012**

(54) **TRANSLUCENT HINGED CONTAINER**

(75) Inventor: **Glenn Stewart**, Dallas, TX (US)

(73) Assignee: **Spirit Merchandise Group, Inc.**,
Carrollton, TX (US)

(**) Term: **14 Years**

(21) Appl. No.: **29/353,674**

(22) Filed: **Jan. 12, 2010**

(51) **LOC (9) Cl.** **06-04**

(52) **U.S. Cl.** **D6/471; D6/440**

(58) **Field of Classification Search** D6/432,
D6/436, 440, 443, 444, 446, 448, 470, 471;
D3/294; 312/114, 138.1, 244, 257.1, 290,
312/327

See application file for complete search history.

(56) **References Cited**

U.S. PATENT DOCUMENTS

D35,248 S *	10/1901	Robin	D6/471
D46,999 S *	2/1915	Kingman	D6/471
D73,287 S *	8/1927	Hamilton	D3/294
D189,509 S *	12/1960	Bell	D6/471

D249,214 S *	9/1978	Rothman	D6/471
4,538,861 A *	9/1985	Hughes, Jr.	312/244
D311,652 S *	10/1990	Feller	D6/471

* cited by examiner

Primary Examiner — Mimoso De

(74) *Attorney, Agent, or Firm* — David W. Carstens; Jeffrey G. Degenfelder; Carstens & Cahoon, LLP

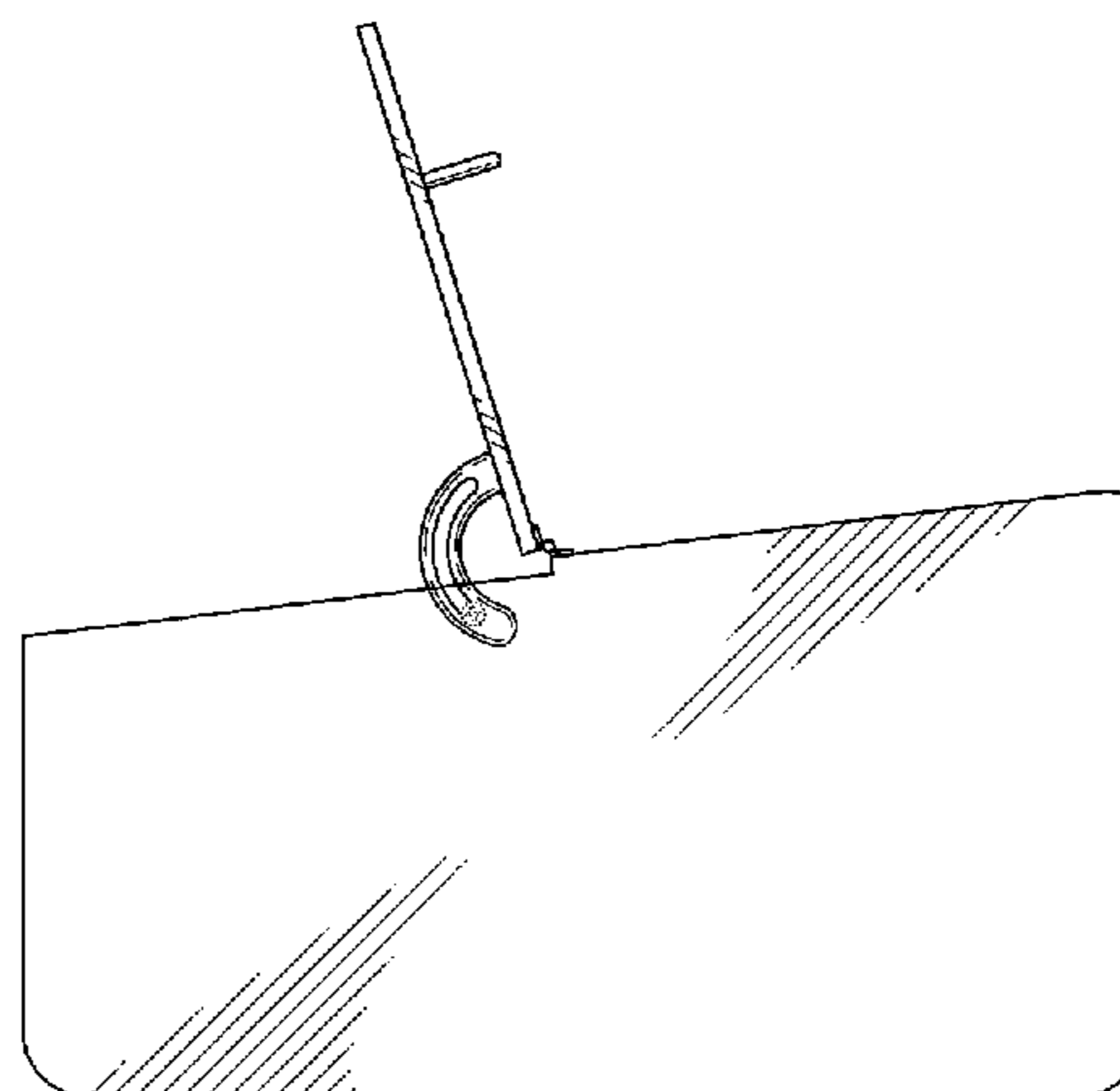
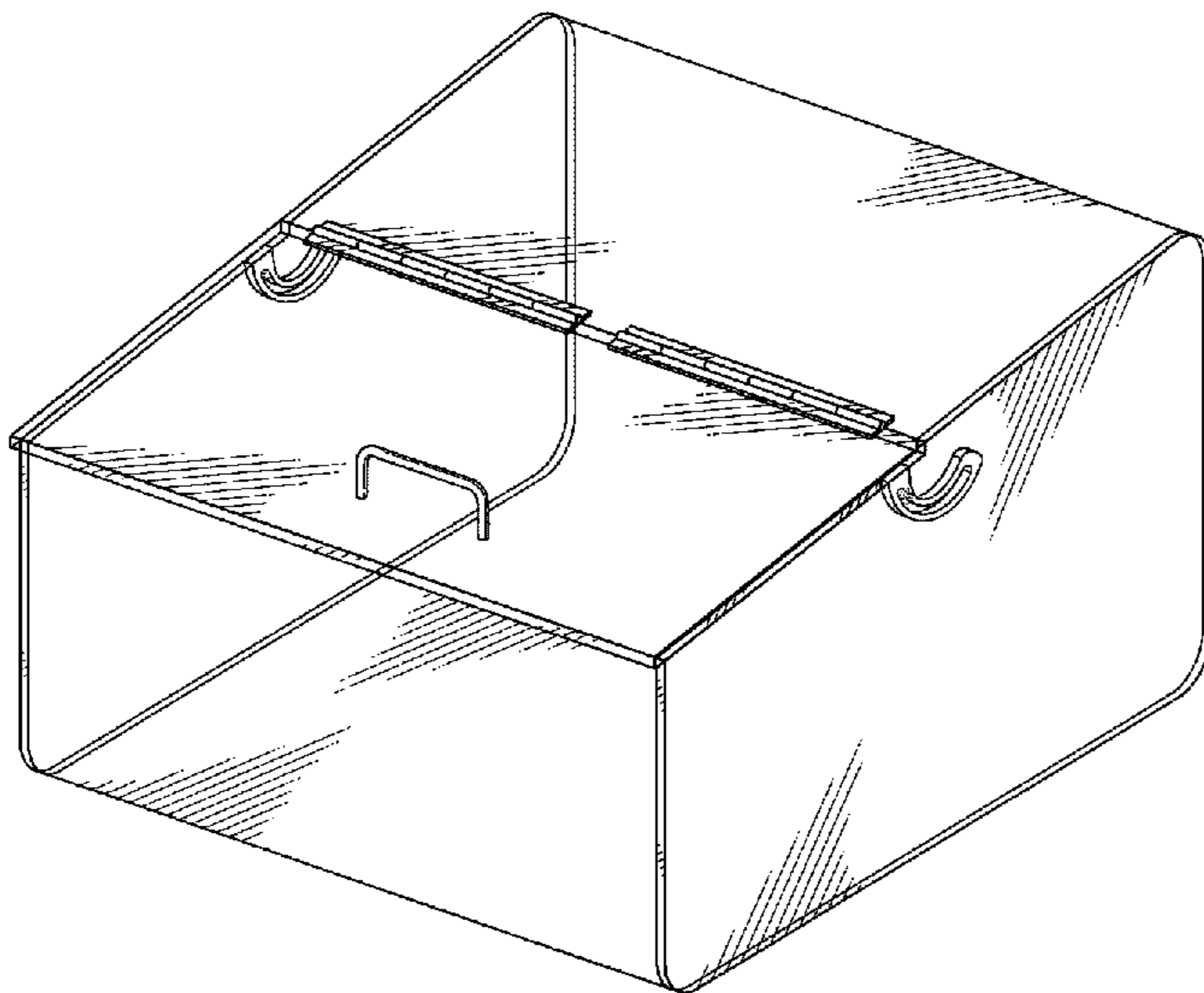
(57) **CLAIM**

The ornamental design for a translucent hinged container, as shown and described.

DESCRIPTION

FIG. 1 is a front perspective view of the translucent hinged container of the present invention in a closed position; FIG. 2 is a front elevation thereof; FIG. 3 is a rear elevation thereof; FIG. 4 is a right side elevation view, the left side elevation view being a mirror image thereof; FIG. 5 is a top plan view thereof; FIG. 6 is a bottom plan view thereof; and, FIG. 7 is a right side elevation view of the translucent hinged container of the present invention in an opened position, the left side elevation view being a mirror image thereof.

1 Claim, 4 Drawing Sheets



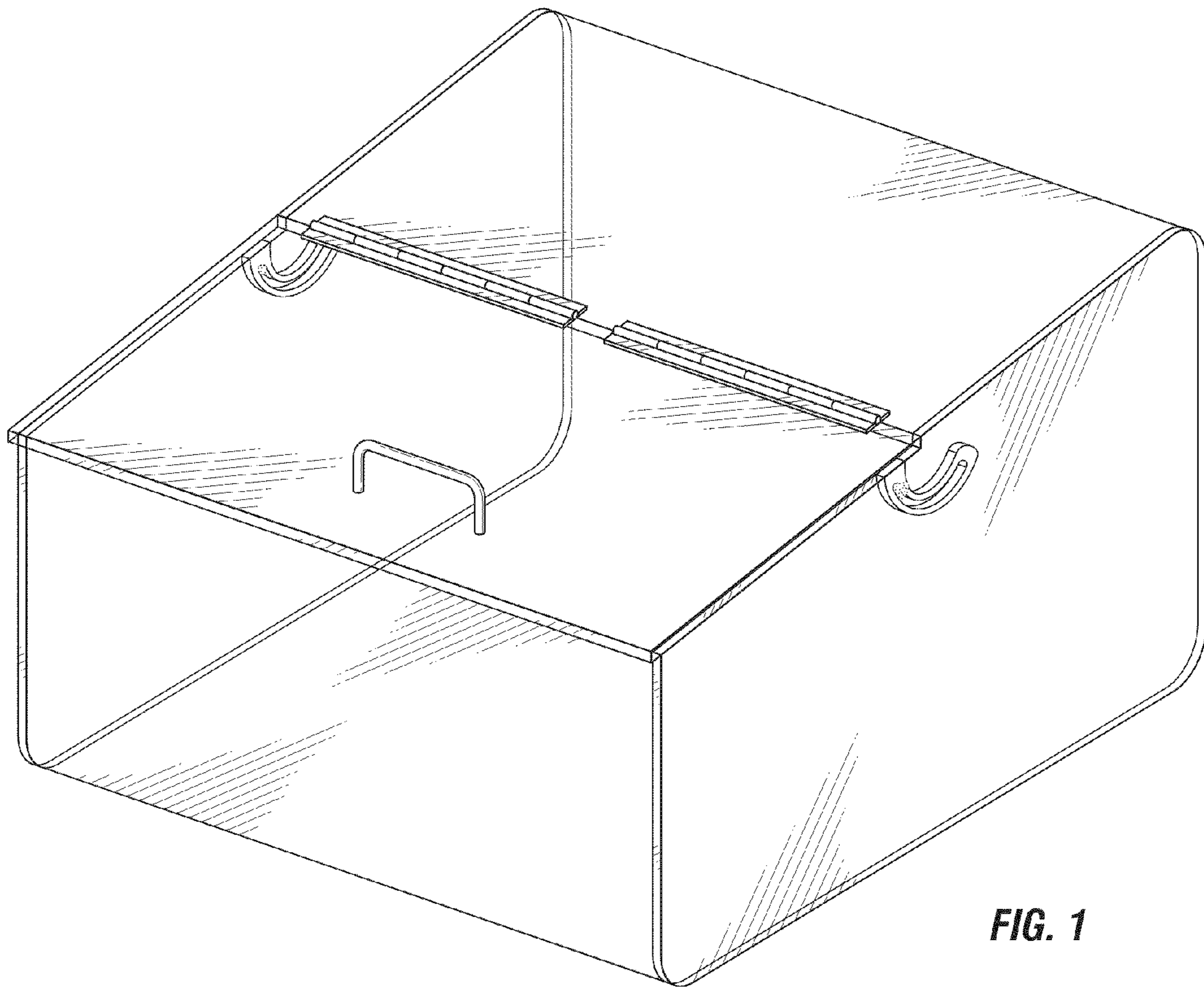


FIG. 1

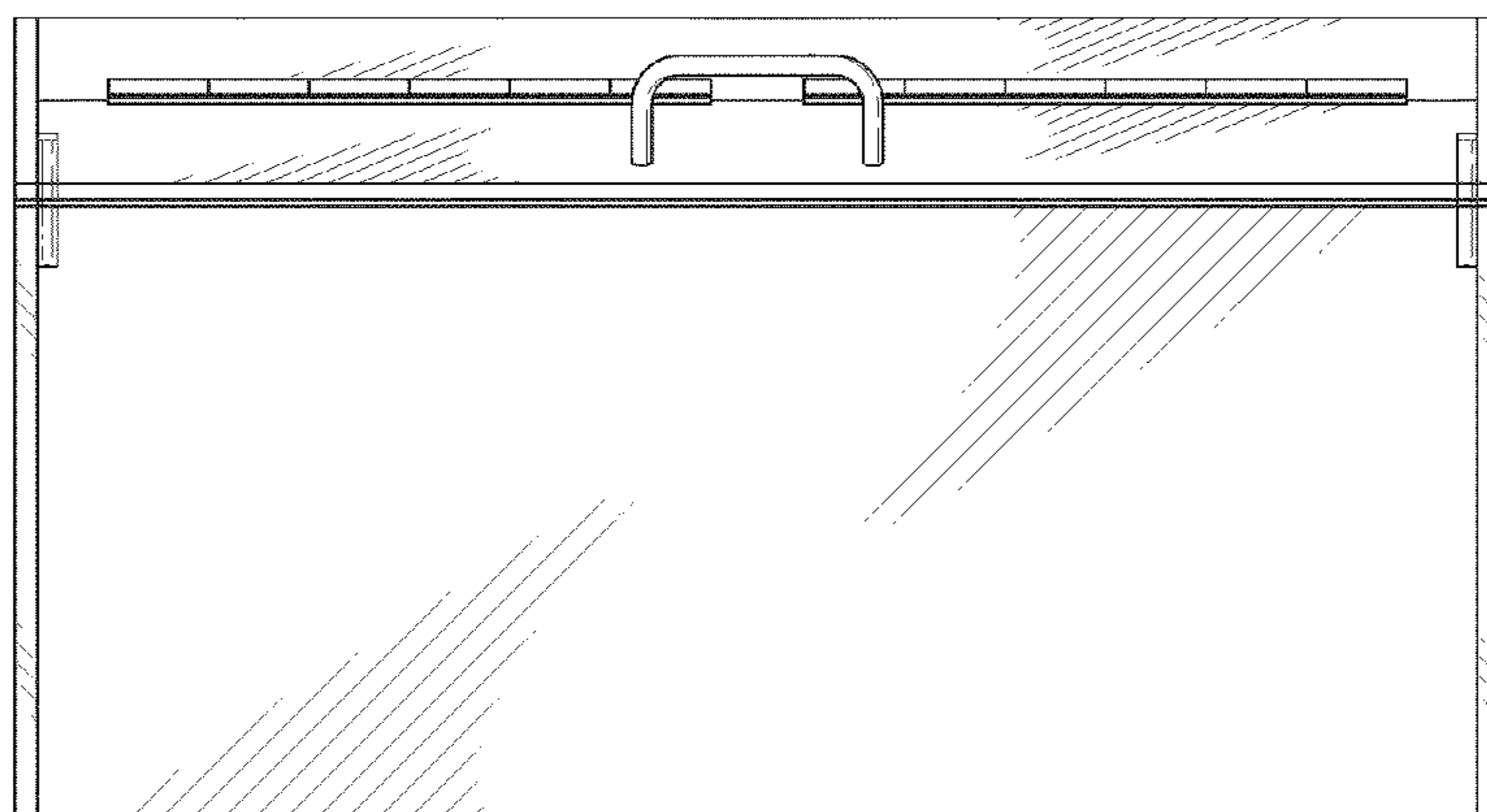


FIG. 2

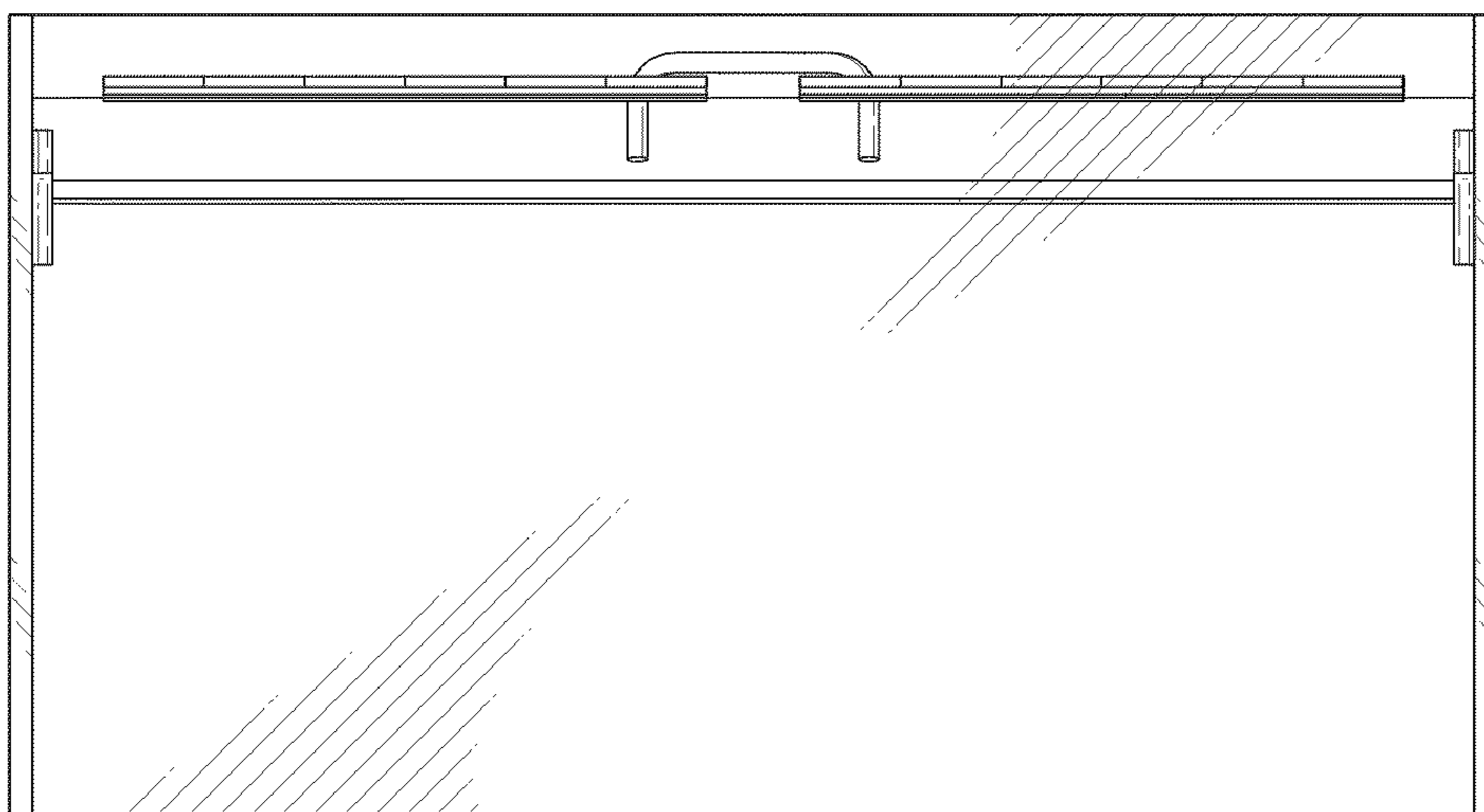


FIG. 3

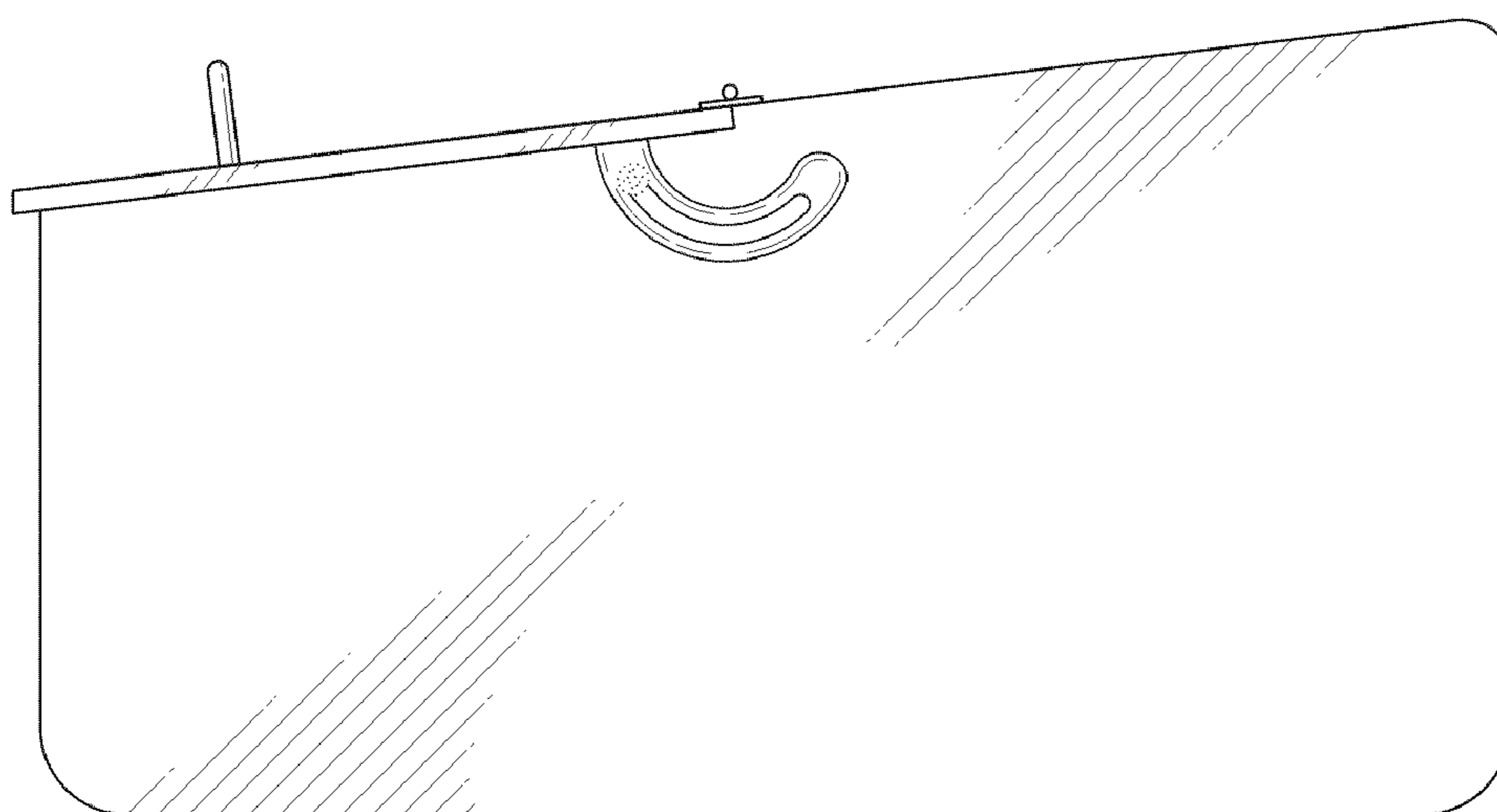


FIG. 4

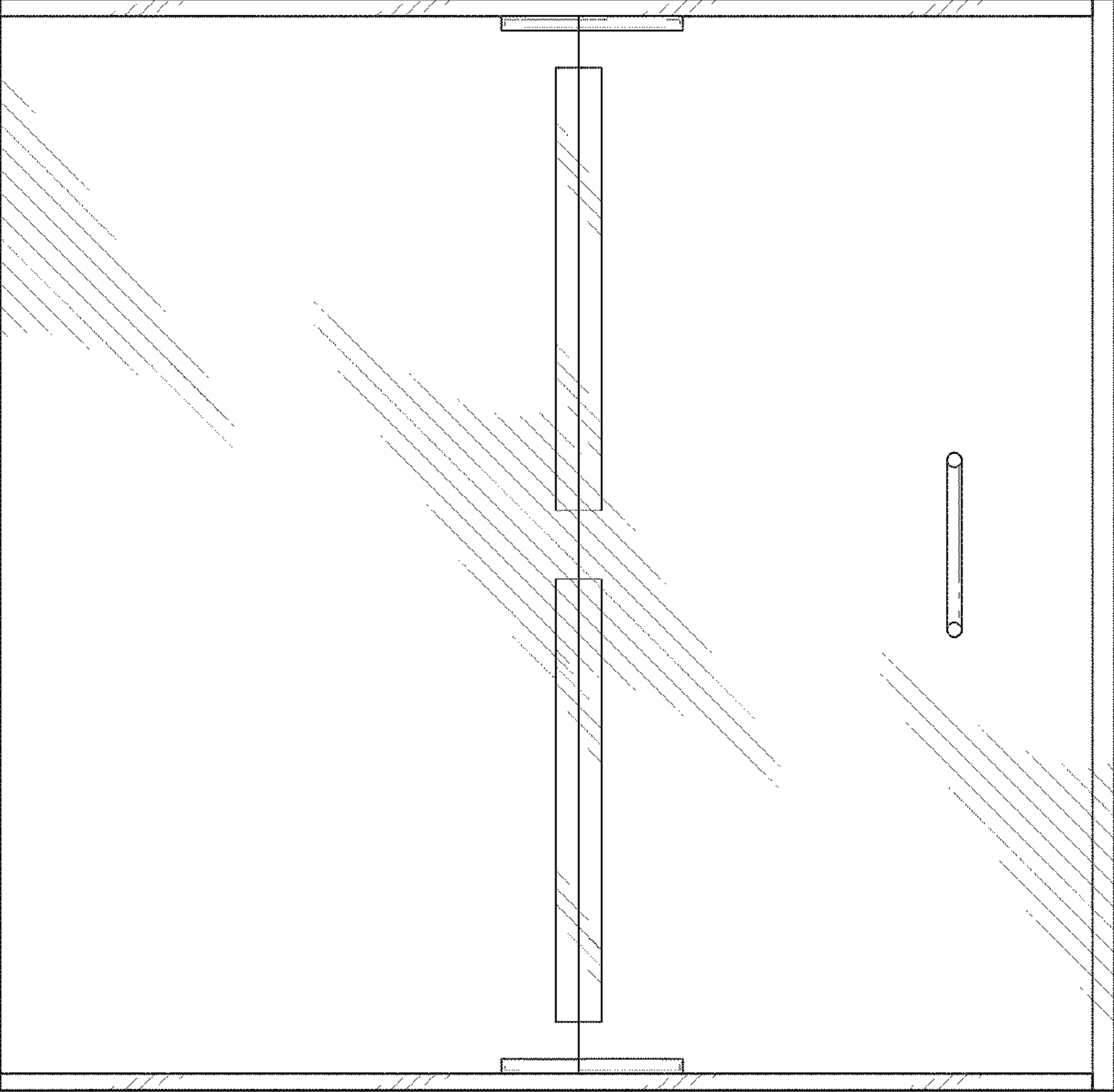


FIG. 6

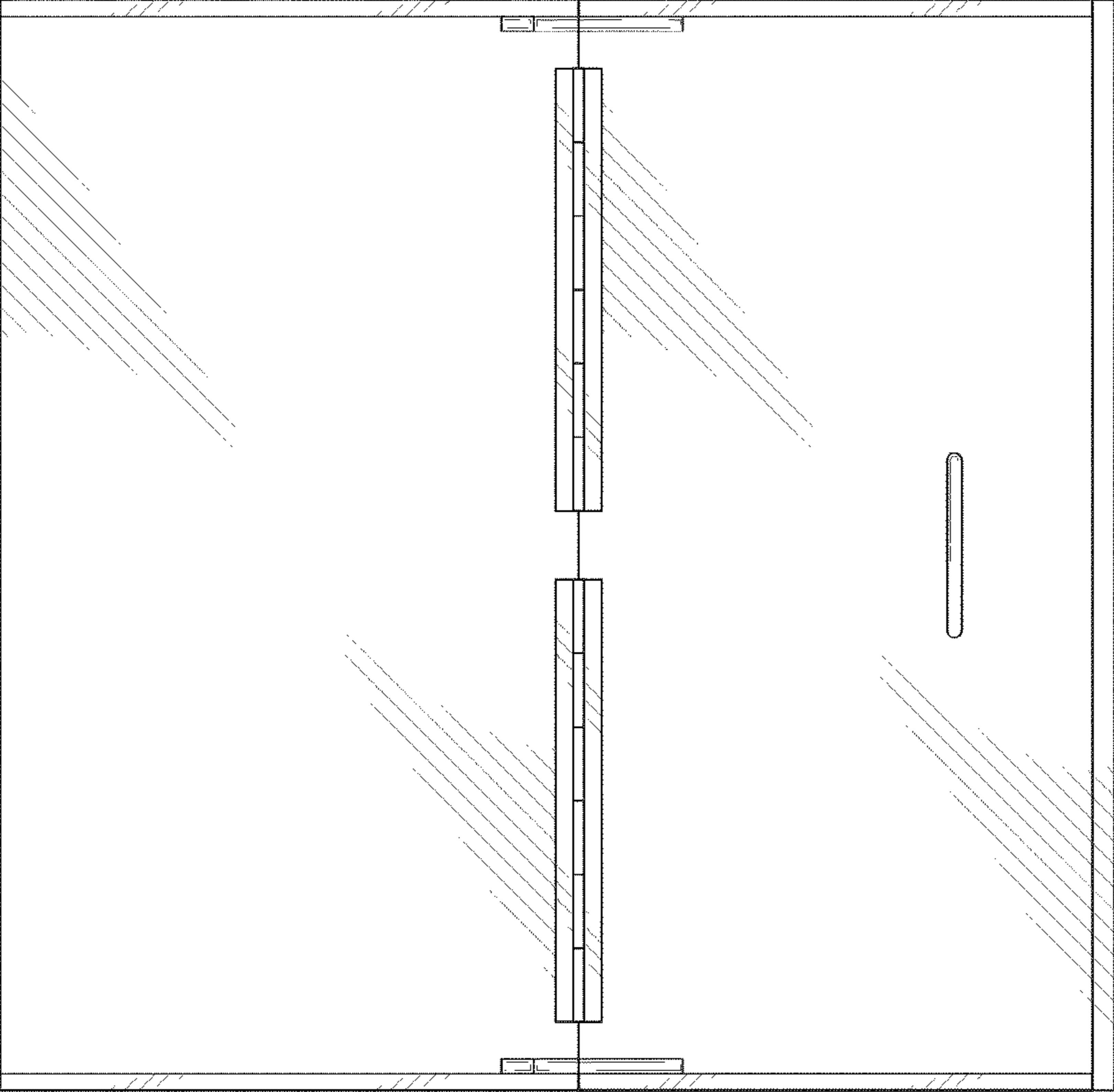


FIG. 5

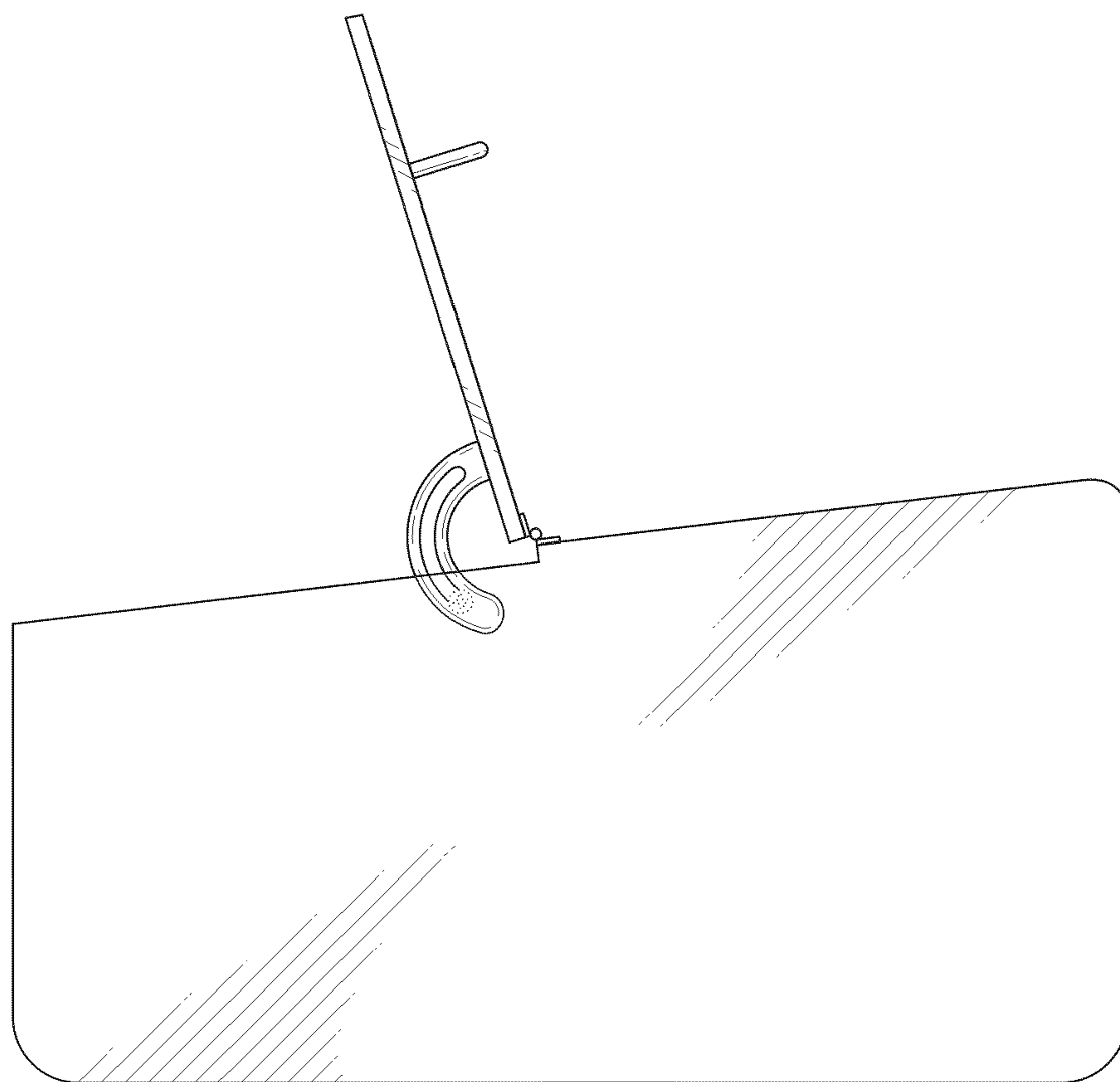


FIG. 7