



US00D652651S

(12) **United States Design Patent**
Wittenberg et al.

(10) **Patent No.:** **US D652,651 S**
(45) **Date of Patent:** **** Jan. 24, 2012**

(54) **PLANT STAND**

(75) Inventors: **Katherine R. Wittenberg**, St. Paul, MN (US); **Elizabeth H. Apple**, Minneapolis, MN (US)

(73) Assignee: **Target Brands, Inc.**, Minneapolis, MN (US)

(**) Term: **14 Years**

(21) Appl. No.: **29/399,255**

(22) Filed: **Aug. 11, 2011**

(51) **LOC (9) Cl.** **11-02**

(52) **U.S. Cl.** **D6/403**

(58) **Field of Classification Search** D6/349, D6/355, 403-405, 406.5, 451, 556-558; D8/1; D11/143-156, 164; D19/77, 80, 81, D19/84; D25/100; D26/9-11, 16, 19; D34/1, D34/2, 4-6; D99/5, 19; 47/17, 32.4, 32.5, 47/32.7, 33.39, 41.01, 41.1, 41.11-41.15, 47/44-47, 63, 65.5, 65.9, 66.1, 66.2, 66.6, 47/66.7, 67-71

See application file for complete search history.

(56) **References Cited**

U.S. PATENT DOCUMENTS

1,639,318	A	8/1927	Viewegh	
1,731,139	A	10/1929	Kift	
D86,020	S	1/1932	Gibson	
D153,909	S	5/1949	Wais	
2,657,965	A *	11/1953	Bargen	108/161
D176,183	S	11/1955	Goldman et al.	
2,842,412	A	7/1958	MacKintosh	
2,871,073	A	1/1959	Swanson	
D187,378	S *	3/1960	Allen	D6/407
2,940,599	A	6/1960	Gentner	
3,123,022	A	3/1964	Huddleston	
3,289,614	A	12/1966	Frazier	
3,326,148	A	6/1967	Jakobsen	
3,364,884	A	1/1968	Hamilton et al.	

3,408,965	A	11/1968	Hamilton et al.	
D224,636	S	8/1972	Ball	
D239,898	S *	5/1976	Kirshenbaum et al.	D6/499
D242,007	S	10/1976	Bedol	
D278,864	S	5/1985	Borichevsky	
D287,316	S *	12/1986	Vanderminden	D6/349
D303,877	S	10/1989	Norton	
D317,839	S	7/1991	Pino	
5,152,407	A *	10/1992	Massoudnia et al.	211/126.8

(Continued)

OTHER PUBLICATIONS

Gi Designs : Set of Three Bronzed Iron Plant Stands, <http://www.gidesigns.net/garden-decor/customer/product.php?productid=1206>, available at least as early as Apr. 12, 2011, 3 pages.

Primary Examiner — Garth Rademaker

(74) *Attorney, Agent, or Firm* — Griffiths & Seaton PLLC

(57) **CLAIM**

The ornamental design for a plant stand, as shown and described.

DESCRIPTION

FIG. 1 is a top, front perspective view of a plant stand showing our new design;

FIG. 2 is an inverted, rear, bottom perspective view thereof;

FIG. 3 is a right side view thereof, the left side view being identical to the right side view;

FIG. 4 is a front view thereof, the rear view being identical to the front view;

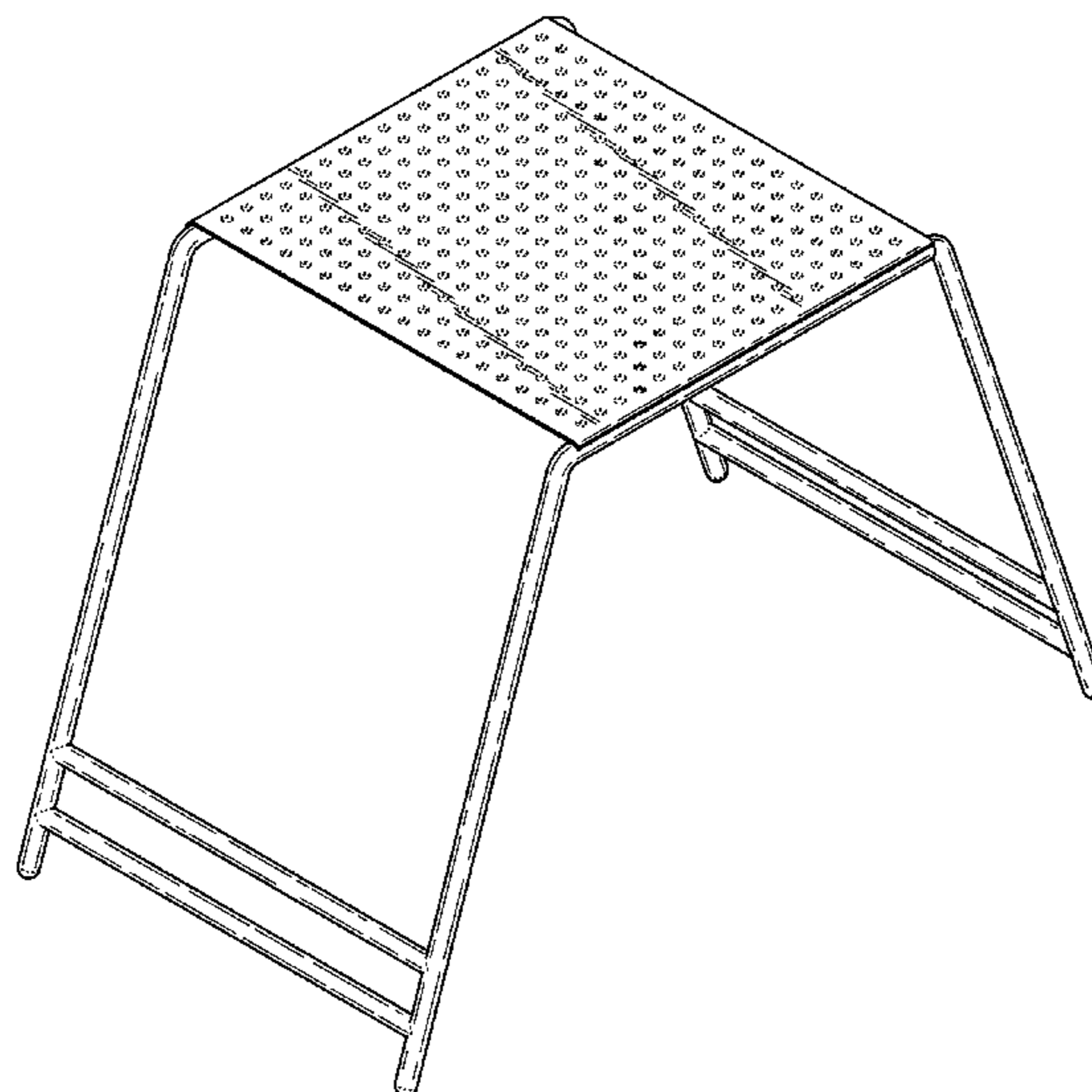
FIG. 5 is a top view thereof;

FIG. 6 is a bottom view thereof; and,

FIG. 7 is a top, front perspective view thereof shown stacked with an identical plant stand, which is illustrated in broken lines.

The features shown in broken lines depict environmental subject matter only and form no part of the claimed design.

1 Claim, 7 Drawing Sheets



US D652,651 S

Page 2

U.S. PATENT DOCUMENTS

D349,992 S *	8/1994	Brohan	D34/5	6,435,305 B1	8/2002	Ward	
D353,695 S *	12/1994	Turner	D34/5	D509,684 S *	9/2005	Judy	D6/484
D354,859 S	1/1995	Hsu		D540,072 S *	4/2007	Steinman	D6/487
D355,546 S	2/1995	Hewitt		D551,876 S	10/2007	Gusdorf et al.	
D357,361 S	4/1995	Karten et al.		D556,466 S	12/2007	Foster	
D363,824 S	11/1995	Lyons		D571,168 S *	6/2008	Sais	D8/1
D436,763 S	1/2001	Balolia		D572,946 S	7/2008	Bollen	
D438,025 S	2/2001	Lopez		7,849,804 B2	12/2010	Shields	
D461,330 S	8/2002	Wang					

* cited by examiner

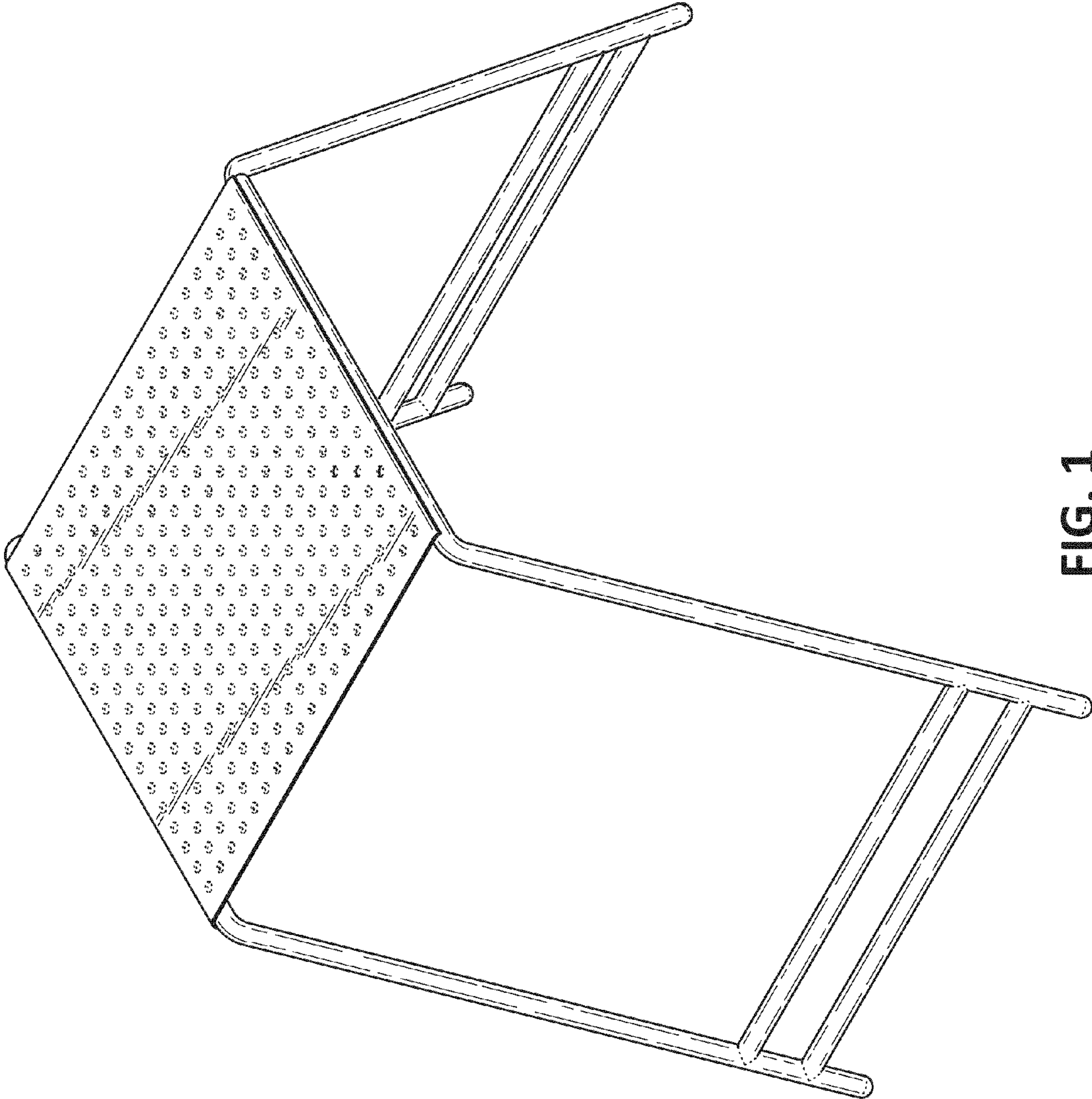


FIG. 1

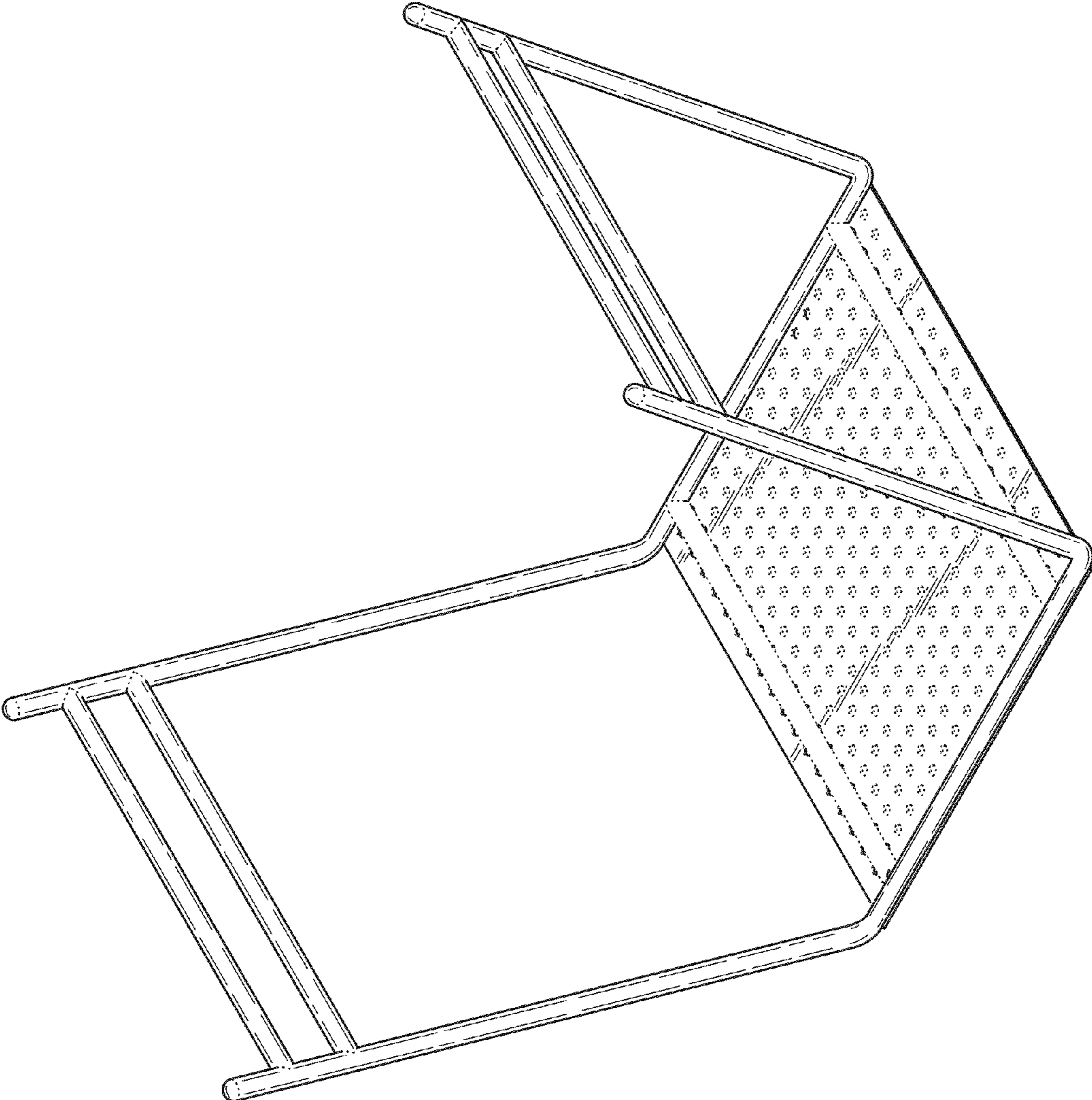


FIG. 2

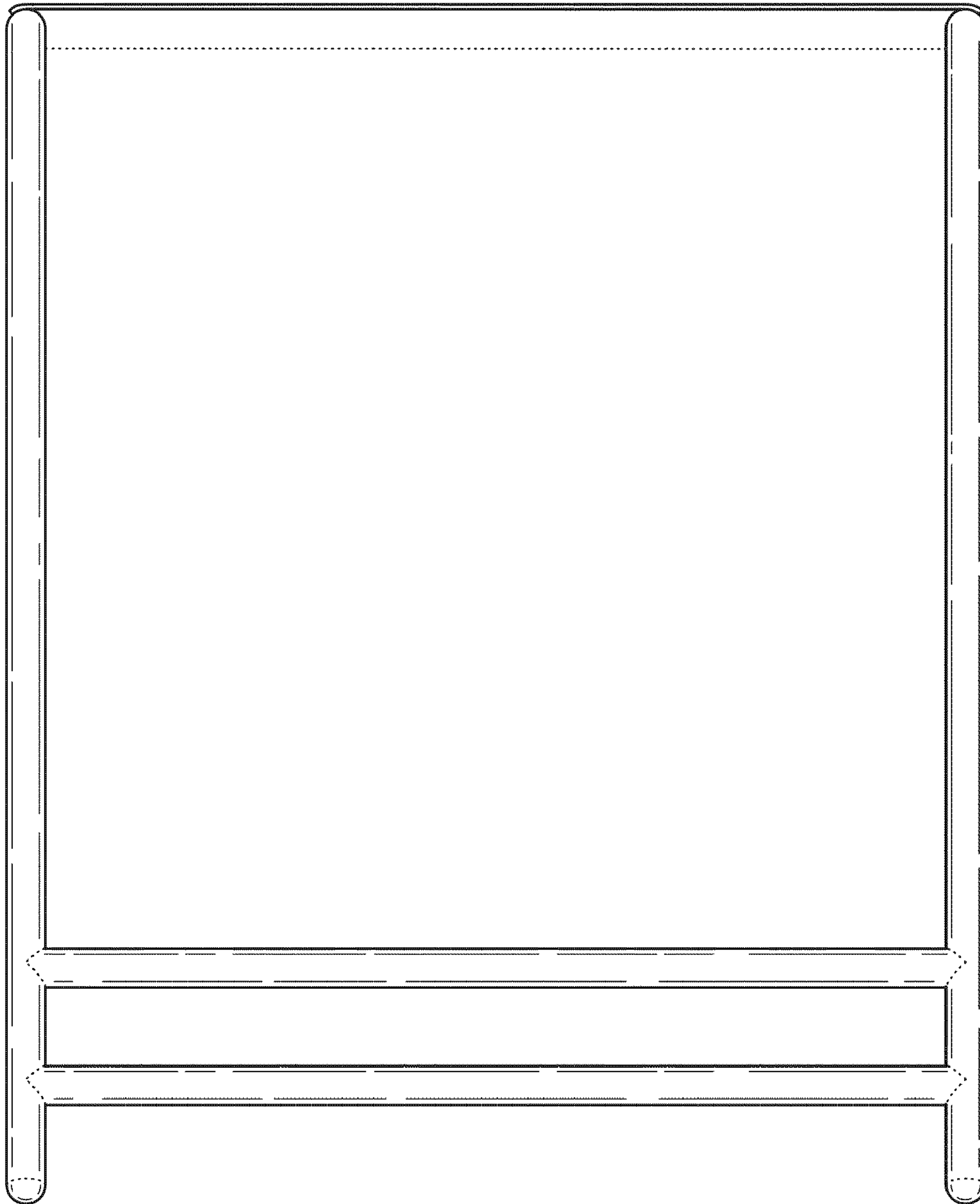


FIG. 3

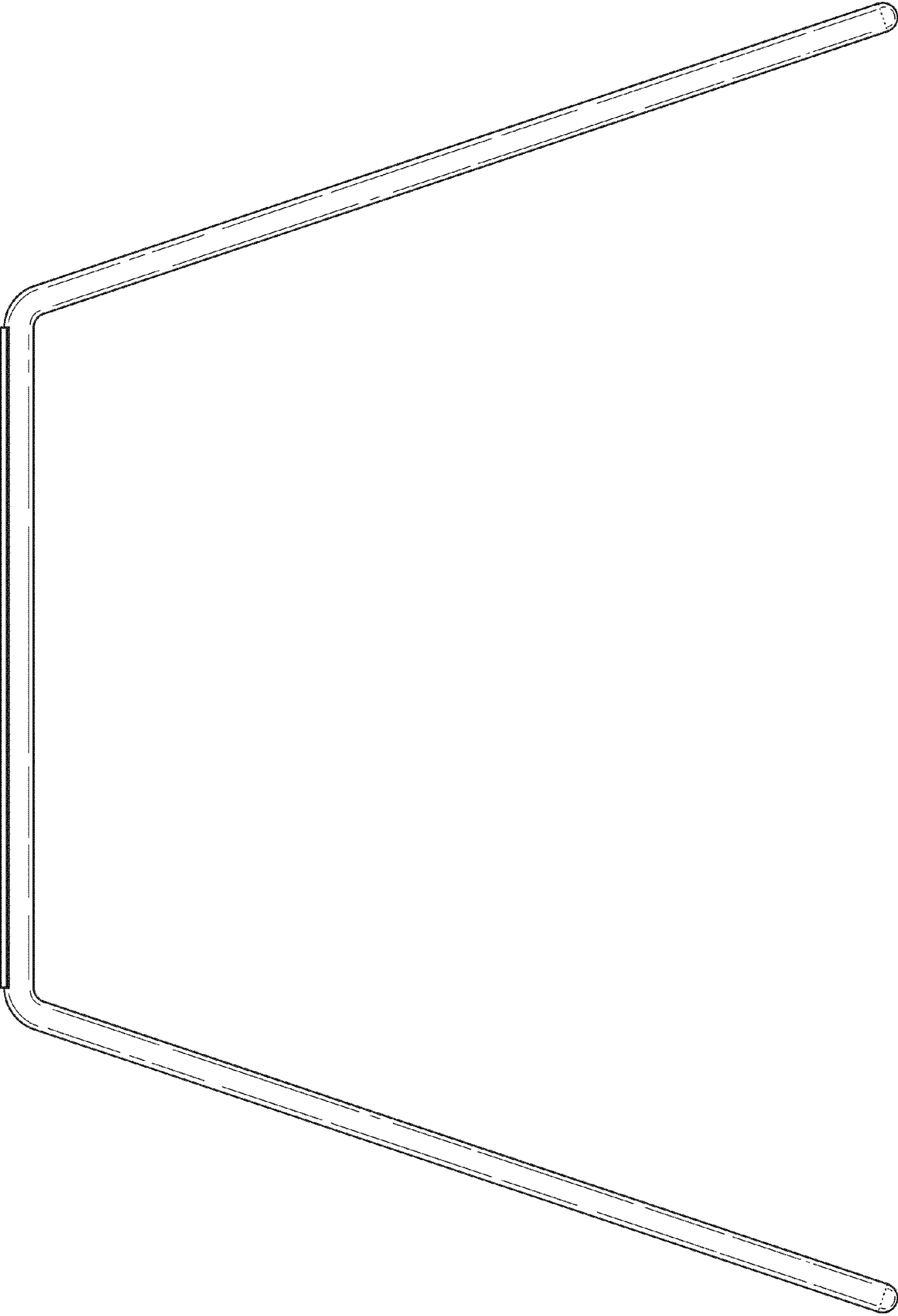


FIG. 4

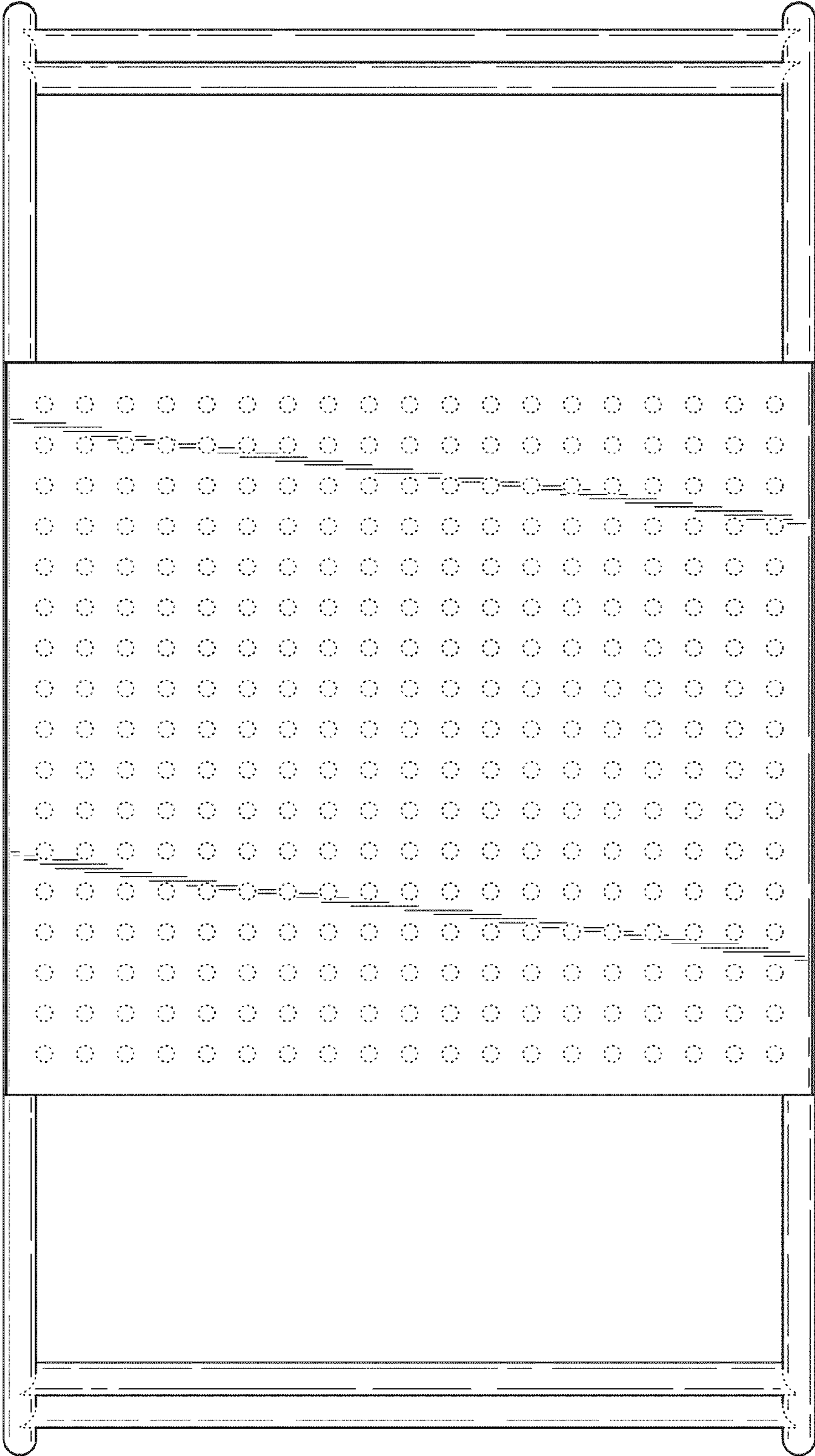


FIG. 5

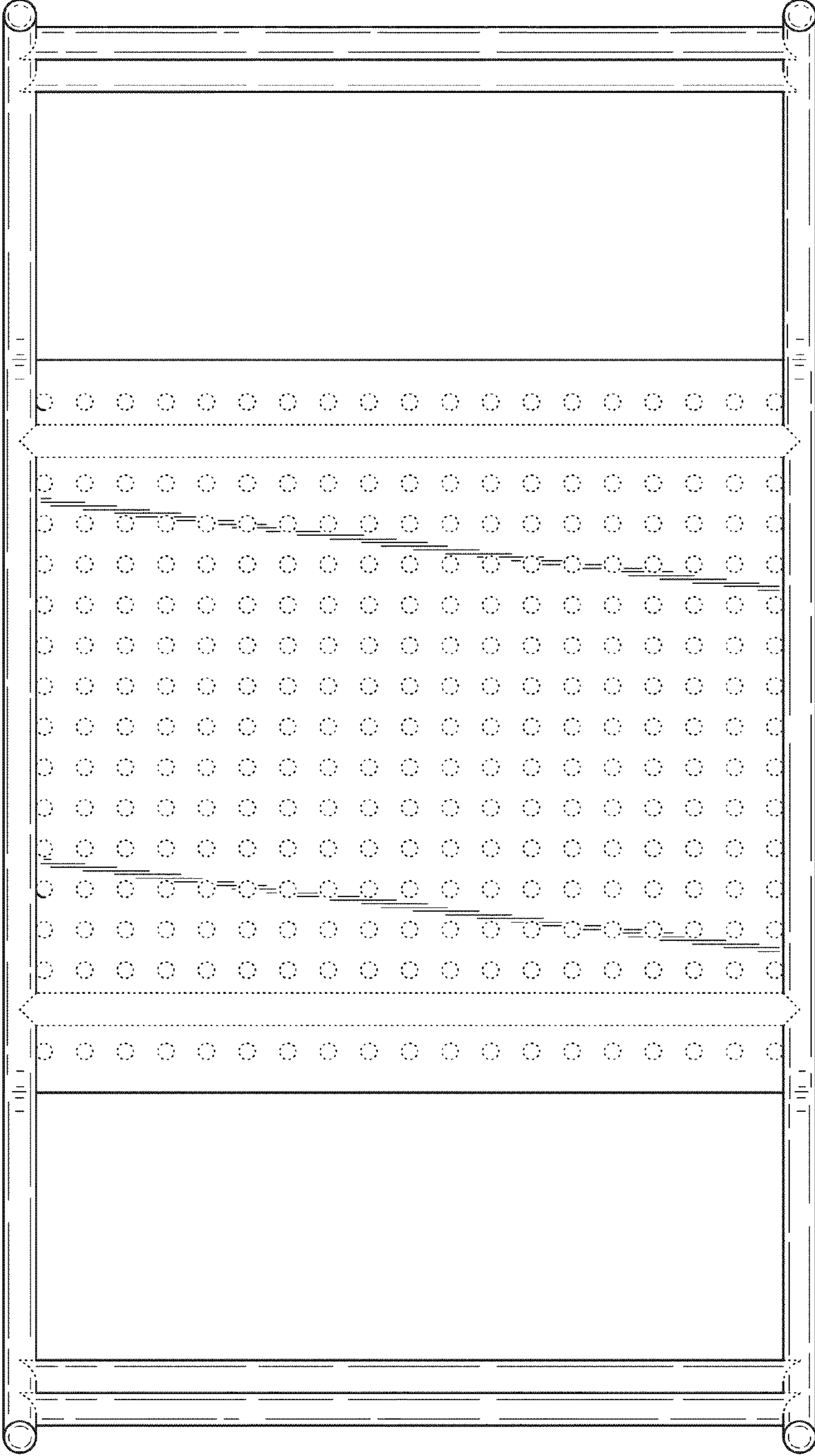


FIG. 6

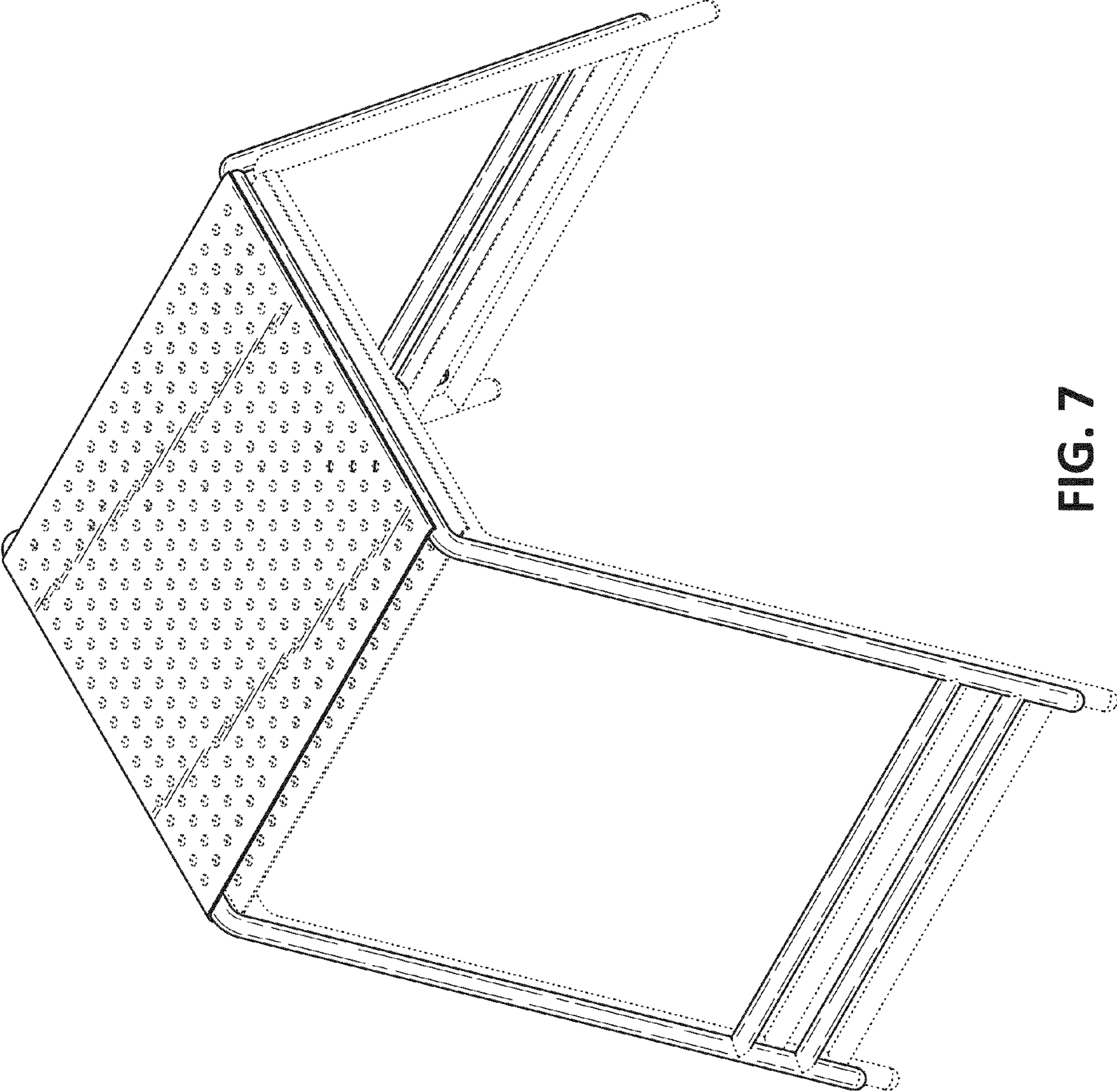


FIG. 7