



US00D652646S

(12) **United States Design Patent**  
**Fujita**

(10) **Patent No.:** **US D652,646 S**  
(45) **Date of Patent:** **\*\* Jan. 24, 2012**

(54) **CHAIR**

(75) Inventor: **Hisato Fujita**, Kanagawa (JP)

(73) Assignee: **Okamura Corporation**, Yokohama-Shi (JP)

(\*\*) Term: **14 Years**

(21) Appl. No.: **29/334,939**

(22) Filed: **Apr. 6, 2009**

(30) **Foreign Application Priority Data**

Oct. 9, 2008 (JP) ..... 2008-25947

(51) **LOC (9) Cl.** ..... **06-01**

(52) **U.S. Cl.** ..... **D6/366**

(58) **Field of Classification Search** ..... D6/334-336,  
D6/346-367, 369, 379-380, 498, 500-502;  
297/411.2, 411.27, 411.36, 452.13, 452.21,  
297/452.29, 452.35, 452.3, 452.64

See application file for complete search history.

(56) **References Cited**

U.S. PATENT DOCUMENTS

|                |        |                 |       |           |
|----------------|--------|-----------------|-------|-----------|
| D260,330 S *   | 8/1981 | Ruf             | ..... | D6/366    |
| D273,249 S *   | 4/1984 | Petitt          | ..... | D6/366    |
| 6,935,689 B2 * | 8/2005 | Horiki et al.   | ..... | 297/300.5 |
| D509,969 S *   | 9/2005 | Loew et al.     | ..... | D6/366    |
| D527,920 S *   | 9/2006 | Giugiaro        | ..... | D6/366    |
| D558,994 S *   | 1/2008 | Machael et al.  | ..... | D6/366    |
| D559,572 S *   | 1/2008 | Igarashi        | ..... | D6/366    |
| D562,574 S *   | 2/2008 | Dallmann et al. | ..... | D6/334    |
| D567,521 S *   | 4/2008 | Igarashi        | ..... | D6/366    |

|              |         |                  |       |        |
|--------------|---------|------------------|-------|--------|
| D567,522 S * | 4/2008  | Igarashi         | ..... | D6/366 |
| D567,523 S * | 4/2008  | Hara             | ..... | D6/366 |
| D568,057 S * | 5/2008  | Igarashi         | ..... | D6/366 |
| D568,625 S * | 5/2008  | Klaasen et al.   | ..... | D6/366 |
| D583,581 S * | 12/2008 | Hara             | ..... | D6/366 |
| D587,914 S * | 3/2009  | Weber et al.     | ..... | D6/364 |
| D590,613 S * | 4/2009  | Ueda             | ..... | D6/366 |
| D595,971 S * | 7/2009  | Ueda             | ..... | D6/366 |
| D596,884 S * | 7/2009  | Wen              | ..... | D6/502 |
| D613,084 S * | 4/2010  | Wilkinson et al. | ..... | D6/366 |
| D613,086 S * | 4/2010  | Fujita           | ..... | D6/366 |
| D613,088 S * | 4/2010  | Fujita           | ..... | D6/366 |

\* cited by examiner

*Primary Examiner* — Elizabeth Albert

*Assistant Examiner* — Kelley Donnelly

(74) *Attorney, Agent, or Firm* — Sughrue Mion, PLLC

(57) **CLAIM**

The ornamental design for a chair, as shown and described.

**DESCRIPTION**

FIG. 1 is a perspective view from the front side of a chair.

FIG. 2 is a perspective view from the rear side thereof.

FIG. 3 is a front elevation view thereof.

FIG. 4 is a rear elevation view thereof.

FIG. 5 is a right side elevation view thereof.

FIG. 6 is a left side elevation view thereof.

FIG. 7 is a top plan view thereof; and,

FIG. 8 is a bottom plan view thereof.

The broken lines depict environmental subject matter only and form no part of the claimed design.

**1 Claim, 8 Drawing Sheets**

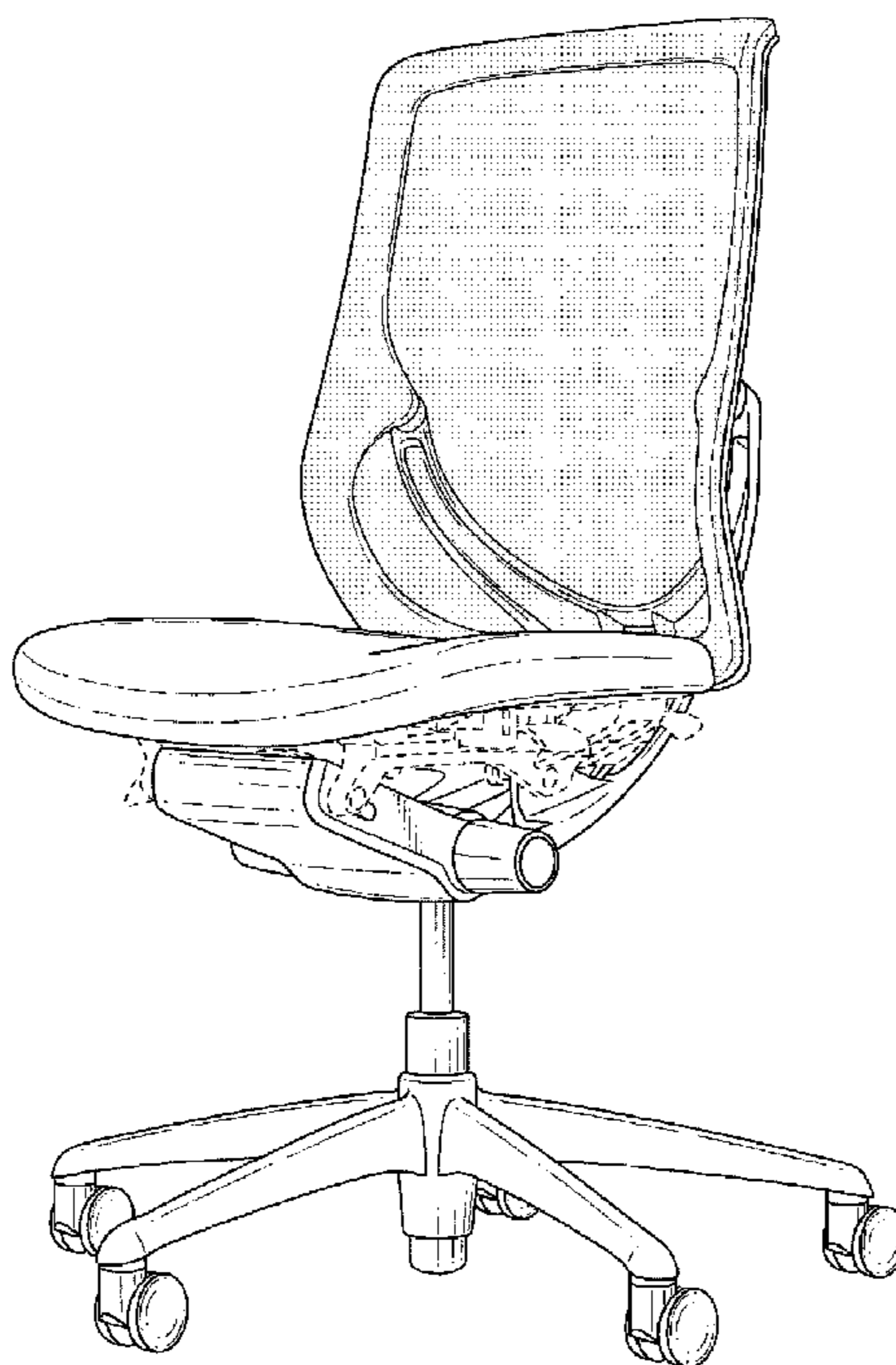


FIG. 1

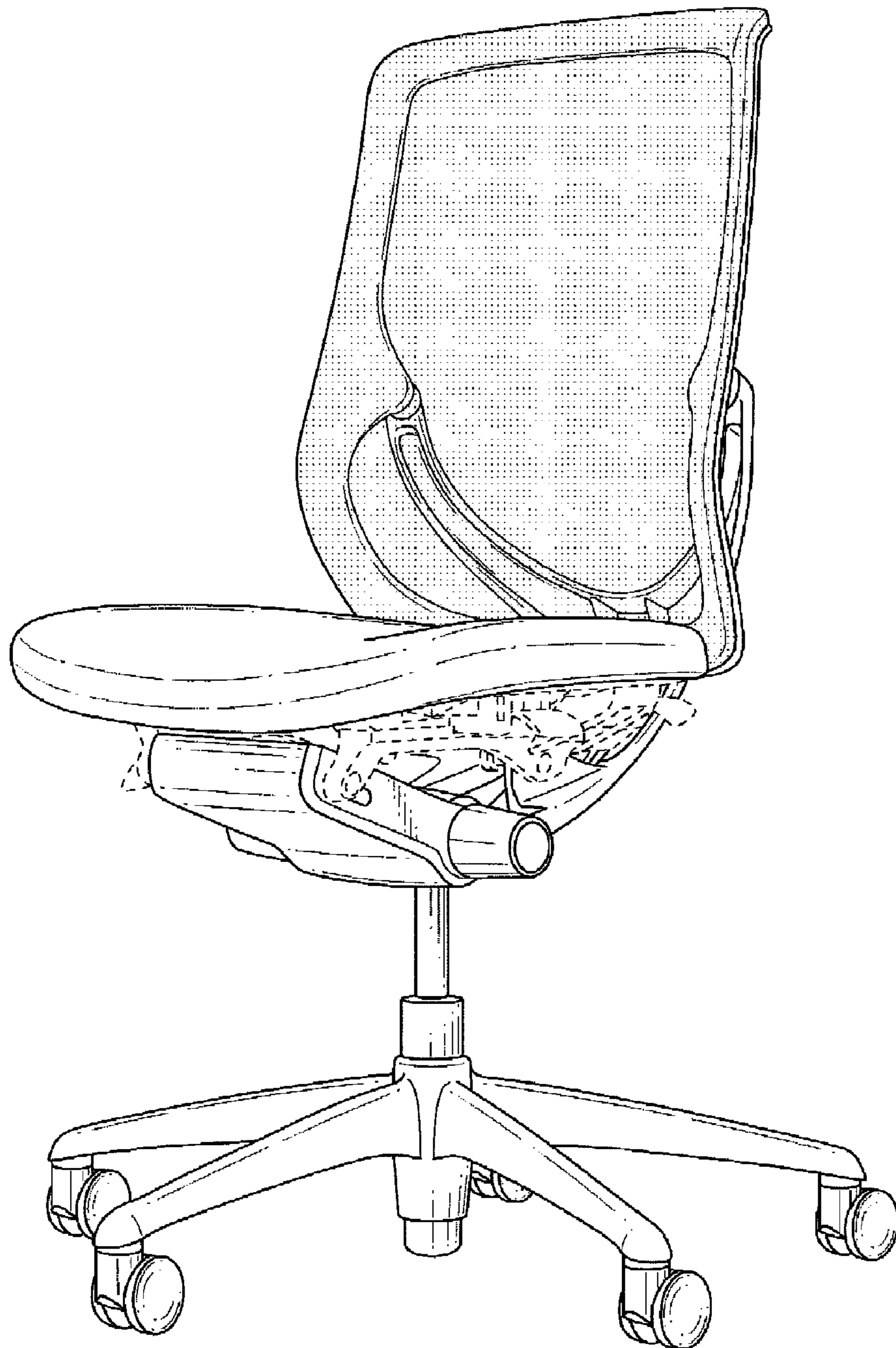


FIG. 2

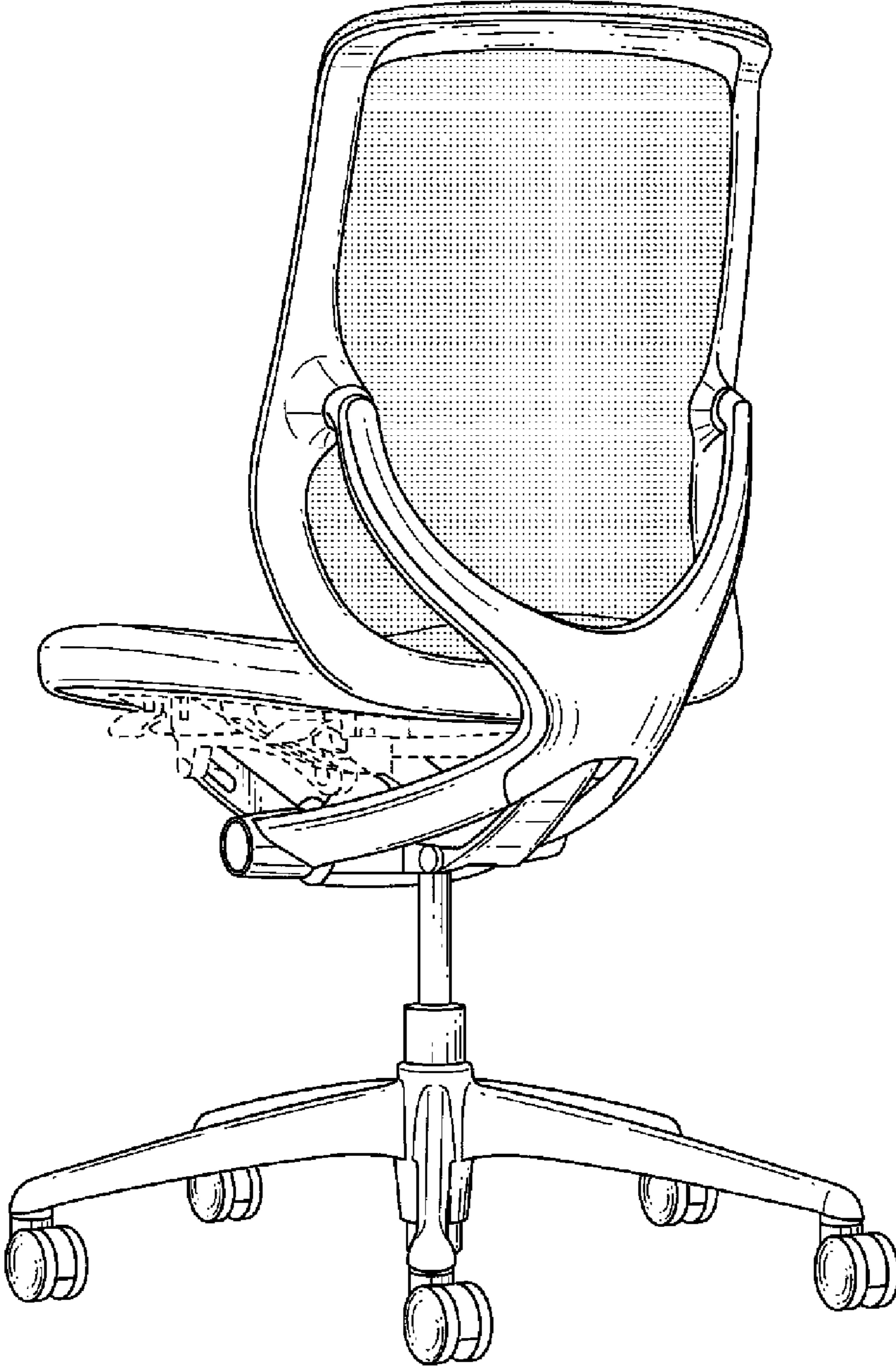


FIG. 3

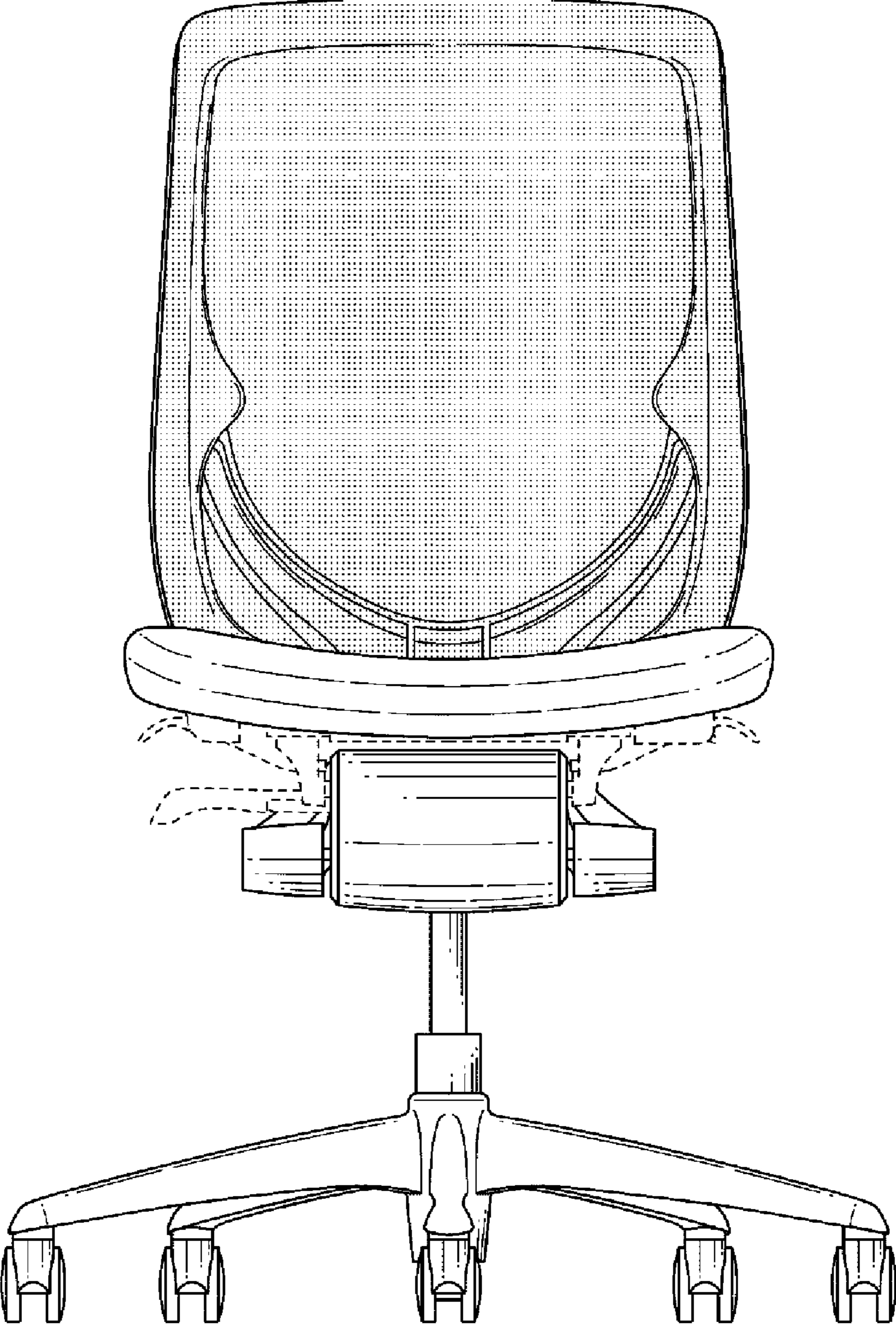


FIG. 4

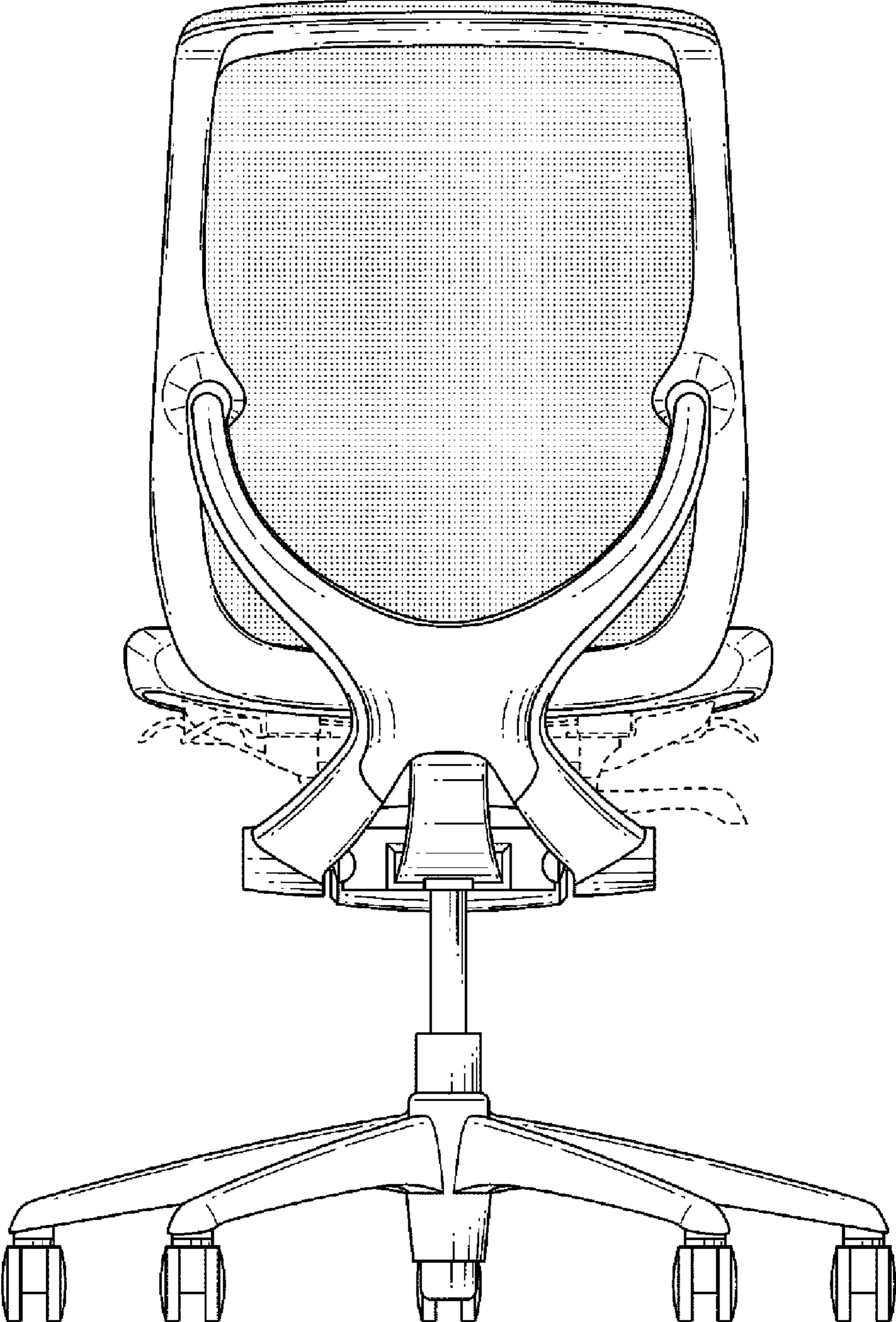


FIG. 5

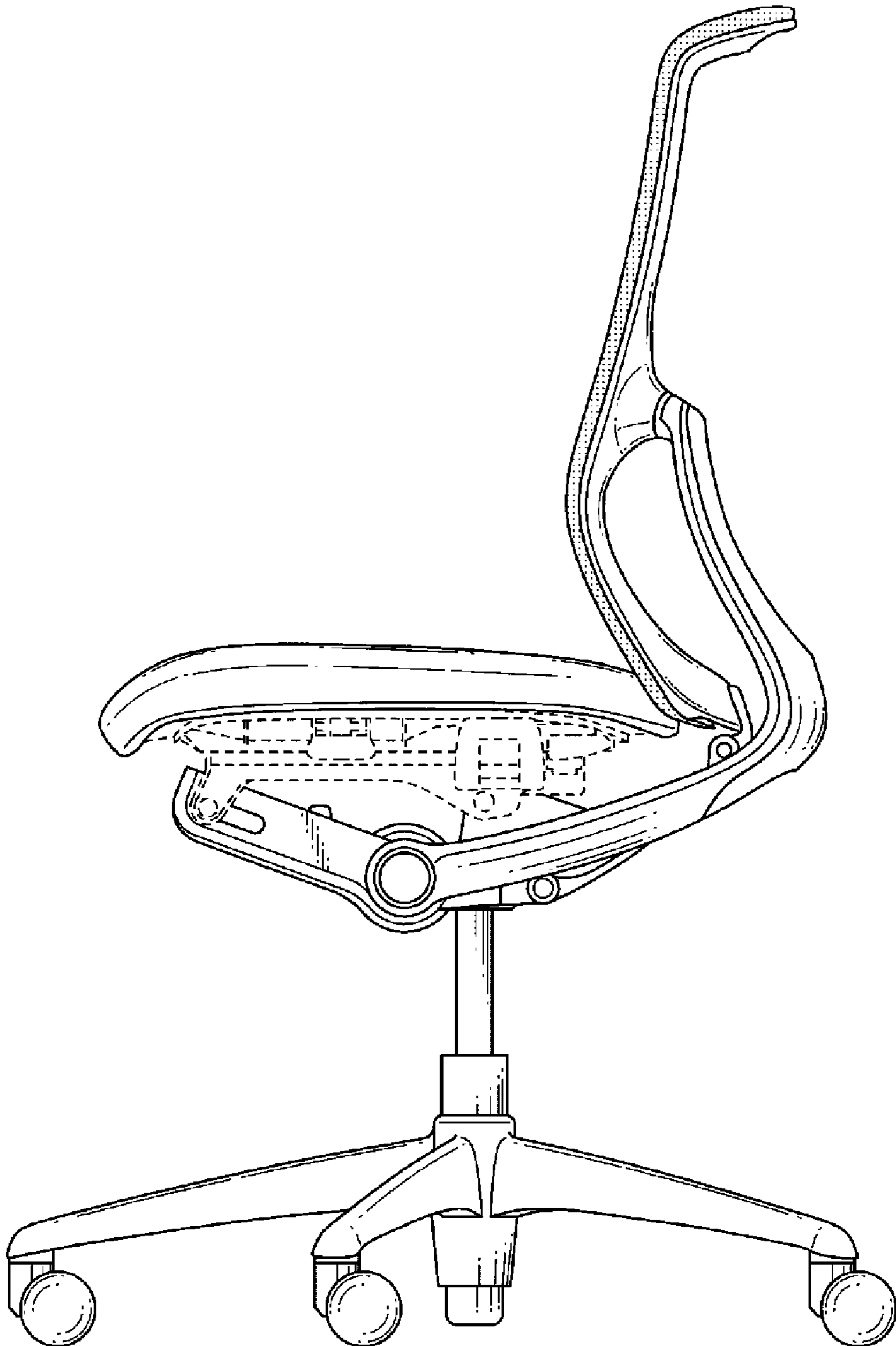


FIG. 6

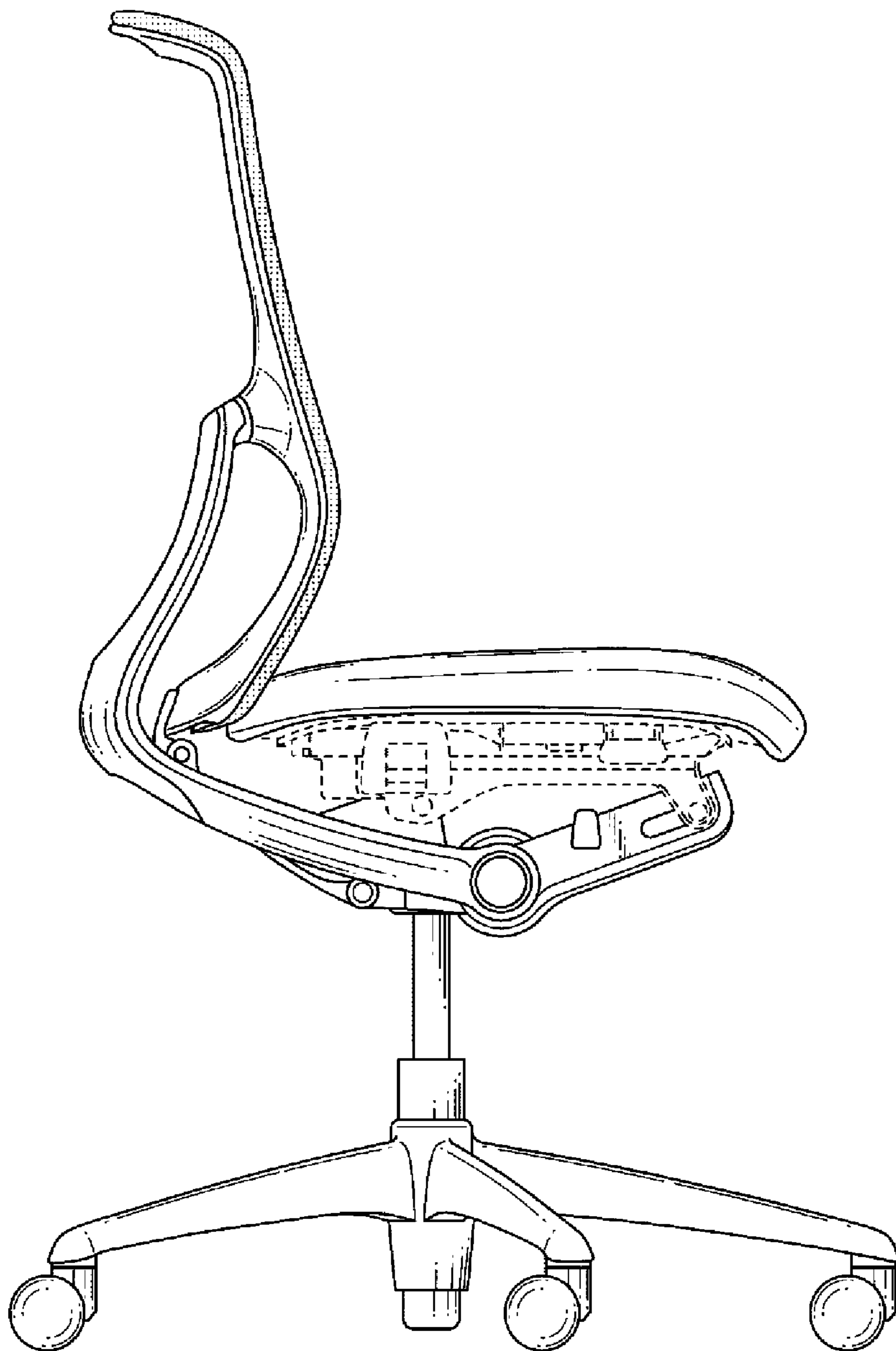


FIG. 7

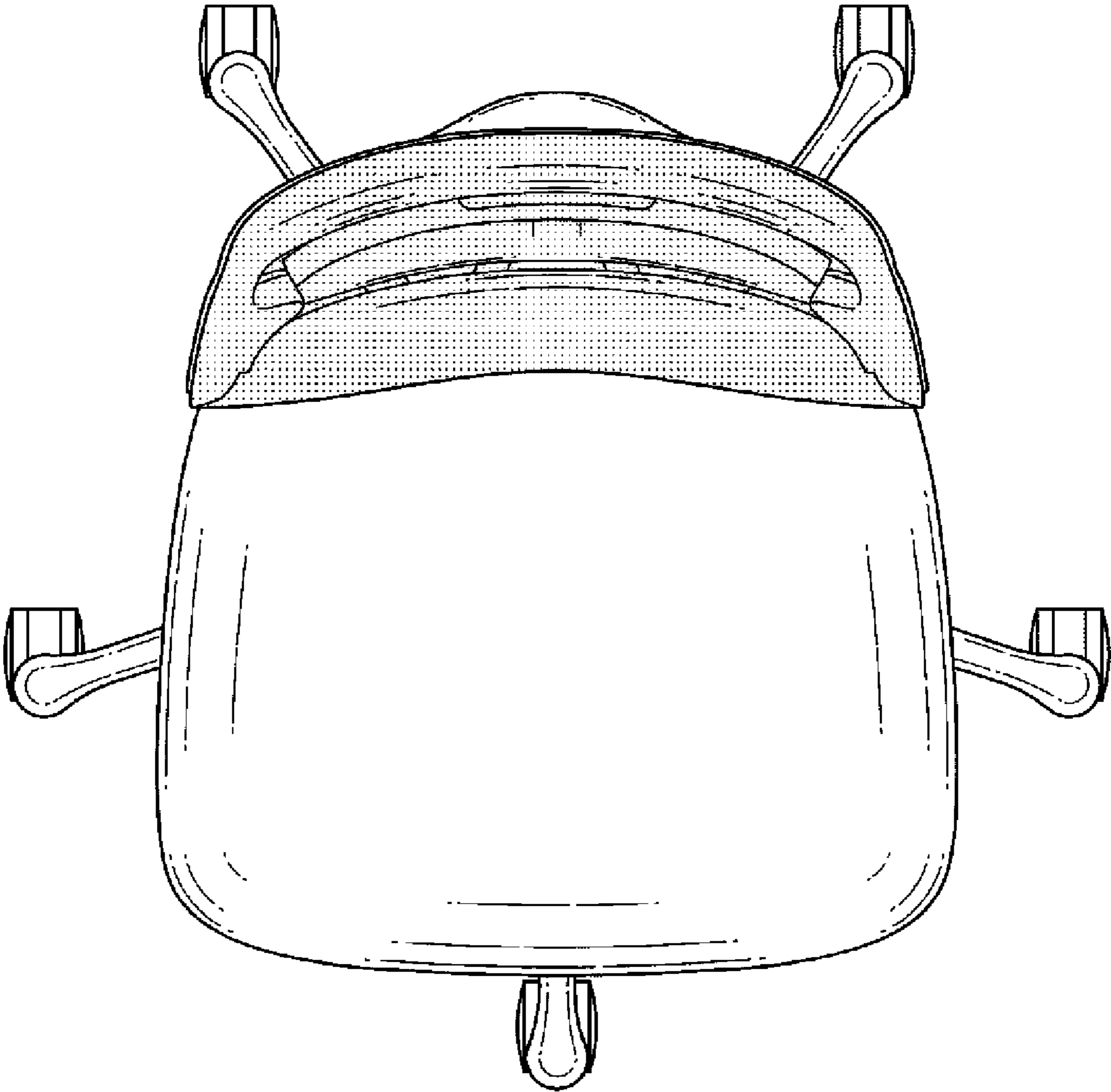




FIG. 8

