

US00D652644S

(12) **United States Design Patent**
Porter et al.

(10) **Patent No.:** **US D652,644 S**
(45) **Date of Patent:** **** Jan. 24, 2012**

(54) **AIRCRAFT SEAT**

(75) Inventors: **Glen Wilson Porter**, Christchurch (NZ);
Victoria Anne Bamford, Auckland
(NZ); **Kerry Alan Reeves**, Auckland
(NZ); **Stuart Anthony Eric Hilton**,
Auckland (NZ)

(73) Assignee: **Air New Zealand Limited**, Auckland
(NZ)

(**) Term: **14 Years**

(21) Appl. No.: **29/387,188**

(22) Filed: **Mar. 10, 2011**

Related U.S. Application Data

(62) Division of application No. 29/354,349, filed on Jan.
22, 2010.

(30) **Foreign Application Priority Data**

Dec. 10, 2009 (NZ) 413078
Dec. 10, 2009 (NZ) 413079
Dec. 10, 2009 (NZ) 413080
Dec. 10, 2009 (NZ) 413081
Dec. 16, 2009 (NZ) 413107
Dec. 16, 2009 (NZ) 413108

(51) **LOC (9) Cl.** **06-04**

(52) **U.S. Cl.** **D6/356**

(58) **Field of Classification Search** D6/334-336,
D6/356, 367, 377, 381, 500-502; D12/195,
D12/345; 244/118.5-188.6, 122 R; 297/232,
297/342, 354.1, 361.1
See application file for complete search history.

(56) **References Cited**

U.S. PATENT DOCUMENTS

2,414,730 A 1/1947 Flogaus
2,947,349 A 8/1960 Kryter
D273,157 S * 3/1984 Staub D6/356
4,936,620 A 6/1990 Francois et al.

5,992,798 A 11/1999 Ferry
6,059,364 A 5/2000 Dryburgh et al.
6,170,786 B1 1/2001 Park et al.
6,375,119 B2 4/2002 Park et al.
D468,294 S * 1/2003 Solland D14/216
6,742,842 B2 6/2004 Dowty
D493,294 S * 7/2004 Newson D6/356
6,793,282 B2 9/2004 Plant et al.
D526,144 S * 8/2006 Luebke D6/500
7,201,439 B2 4/2007 Schweizer
7,252,332 B2 8/2007 Thompson
7,448,575 B2 11/2008 Cheung et al.
7,469,861 B2 12/2008 Ferry et al.
7,472,957 B2 1/2009 Ferry et al.
7,523,888 B2 4/2009 Ferry et al.
D592,412 S * 5/2009 Suge et al. D6/356
7,578,470 B2 8/2009 Plant

(Continued)

FOREIGN PATENT DOCUMENTS

AU 2007201819 5/2007

(Continued)

Primary Examiner — Elizabeth Albert
Assistant Examiner — Kelley Donnelly

(74) *Attorney, Agent, or Firm* — Dann, Dorfman, Herrell
and Skillman, P.C.

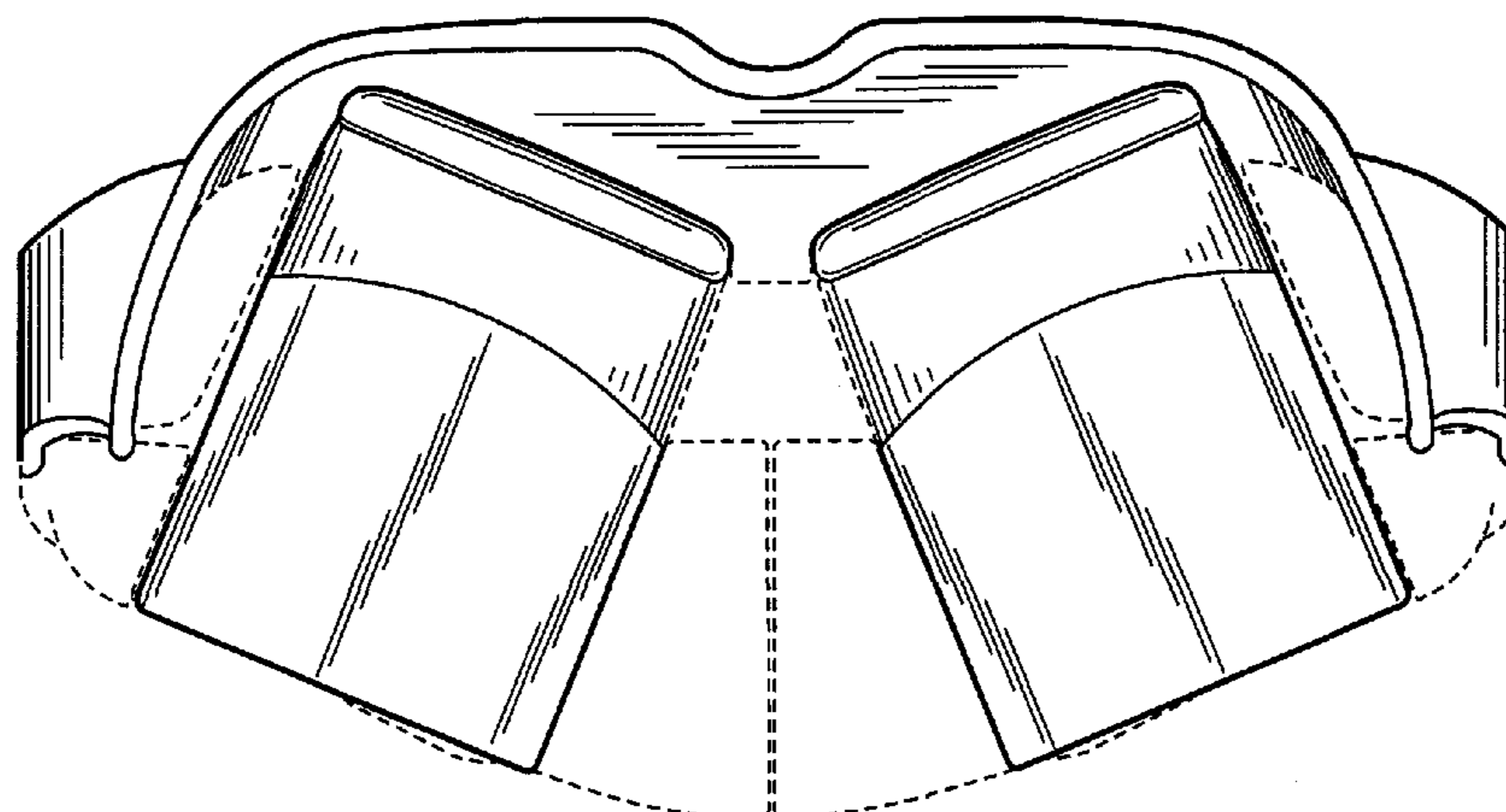
(57) **CLAIM**

We claim the ornamental design for an aircraft seat, as shown
and described.

DESCRIPTION

FIG. 1 is a top plan view of an aircraft seat embodying the
design;
FIG. 2 is a top front perspective view thereof;
FIG. 3 is a rear view thereof;
FIG. 4 is a bottom rear perspective view thereof;
FIG. 5 is a front view thereof;
FIG. 6 is a left side view thereof; and,
FIG. 7 is a right side view thereof.
The broken line shown in FIGS. 1-7 is included for the pur-
pose of illustrating environment of the article and forms no
part of the claimed design.

1 Claim, 7 Drawing Sheets



US D652,644 S

Page 2

U.S. PATENT DOCUMENTS								
	D611,260	S *	3/2010	Plant	D6/356	DE	102006056898	6/2008
	D611,400	S *	3/2010	Suge et al.	D12/345	EP	0346299	12/1989
	D613,529	S *	4/2010	Suge et al.	D6/492	EP	0869060	10/1998
	D614,879	S *	5/2010	Higashida et al.	D6/356	EP	0982226	1/2000
	D615,311	S *	5/2010	Fleming	D6/356	EP	0980825	2/2000
	2001/0003962	A1	6/2001	Park et al.		EP	0980826	2/2000
	2001/0015566	A1	8/2001	Park et al.		EP	1116654	7/2001
	2003/0184957	A1	10/2003	Stahl et al.		EP	1417113	11/2005
	2004/0232283	A1	11/2004	Ferry et al.		EP	1495908	5/2007
	2007/0080566	A1	4/2007	Ferry et al.		GB	2288728	11/1995
	2007/0246981	A1	10/2007	Plant		GB	2405791	3/2005
	2007/0295863	A1	12/2007	Thompson		GB	2437164	10/2007
	2008/0042010	A1	2/2008	Watanabe		GB	2438162	11/2007
	2009/0050740	A1	2/2009	Saint-Jalmes et al.		WO	0002745	1/2000
	2009/0084897	A1	4/2009	Ferry et al.		WO	03013903	2/2003
	2010/0065684	A1	3/2010	Ruiter et al.		WO	2008072328	6/2008
						WO	2009073244	6/2009
FOREIGN PATENT DOCUMENTS								
CA	2625280		2/2003					
DE	3436509		4/1986					

* cited by examiner

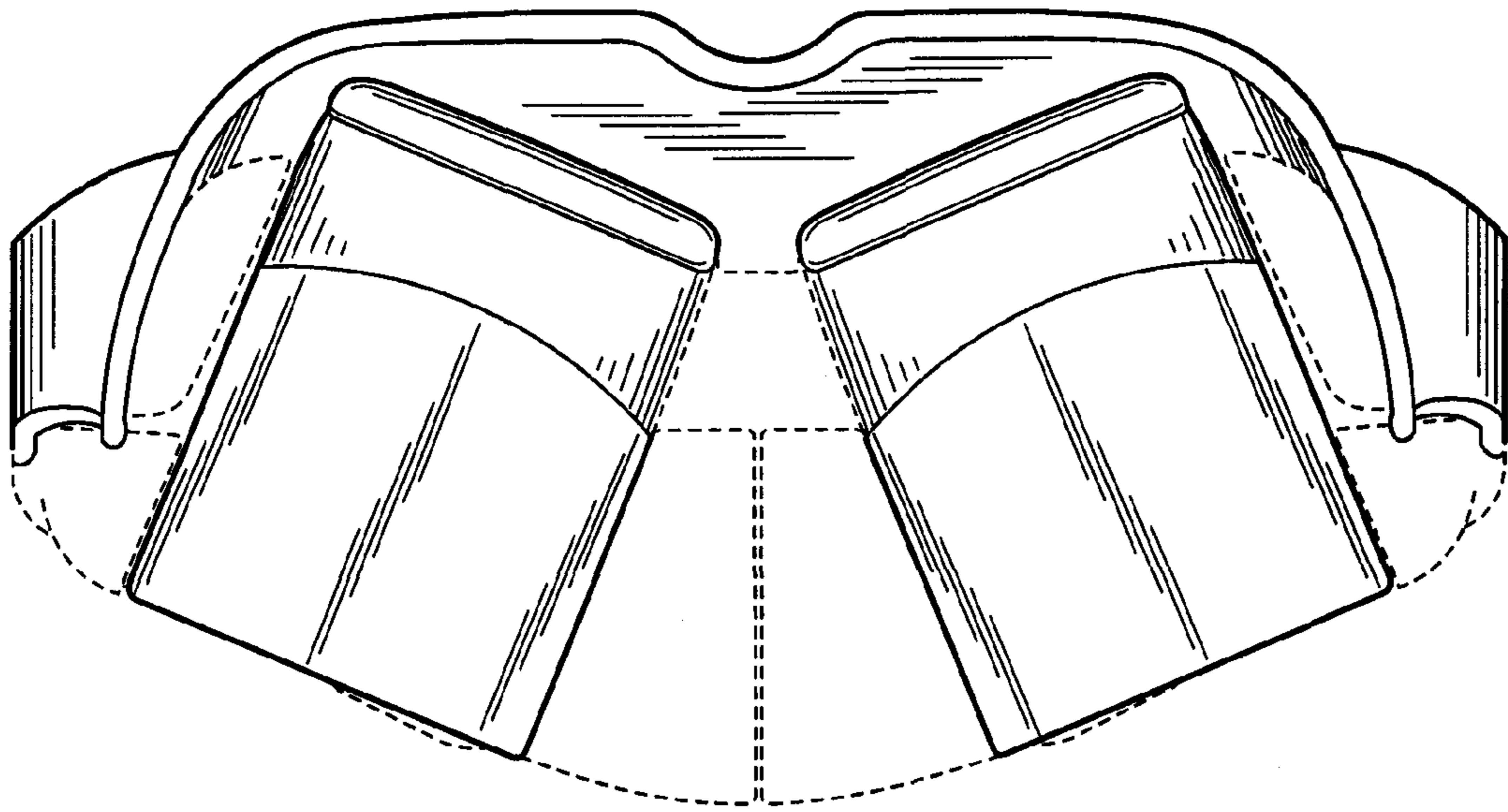


FIG. 1

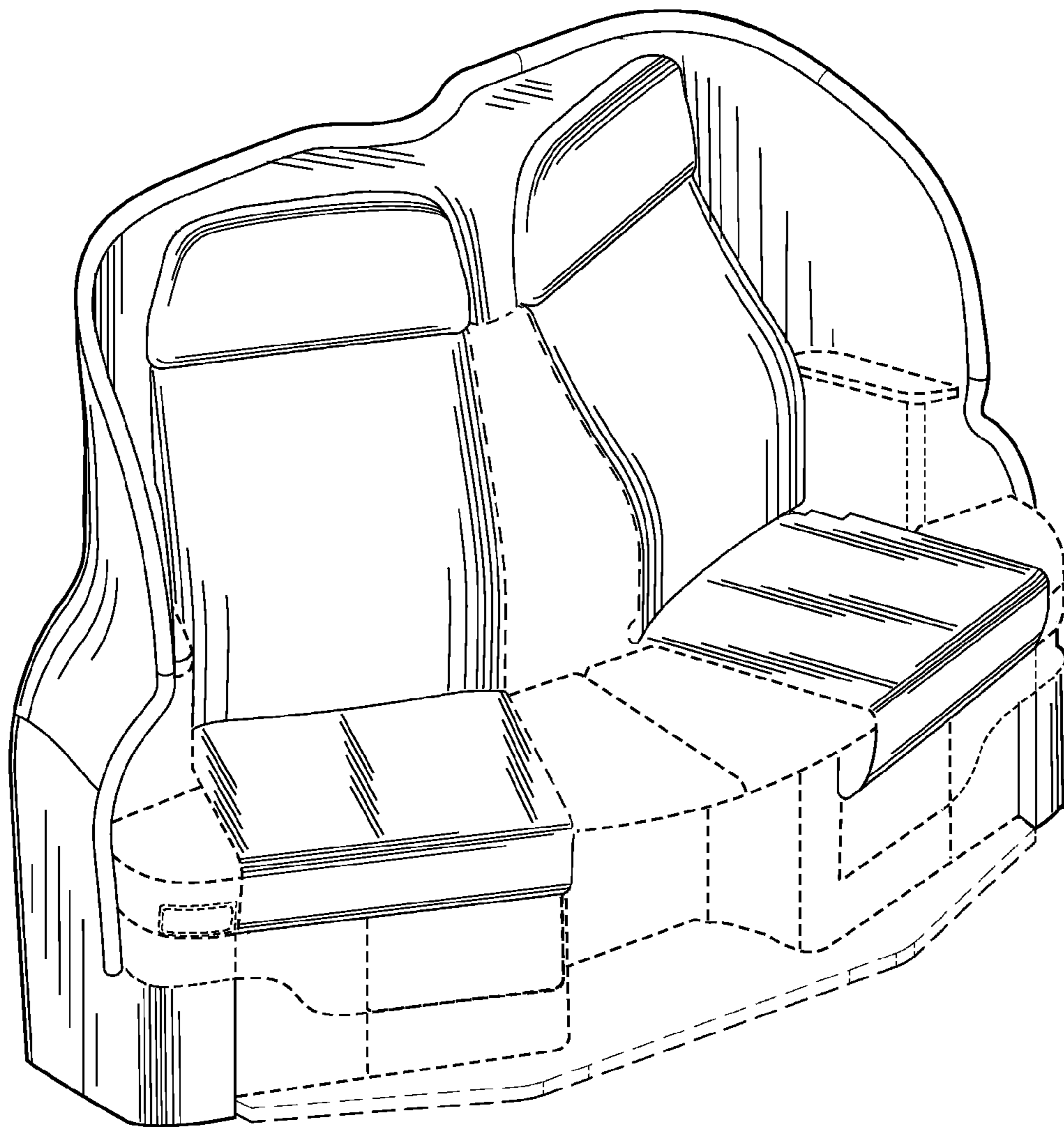


FIG. 2

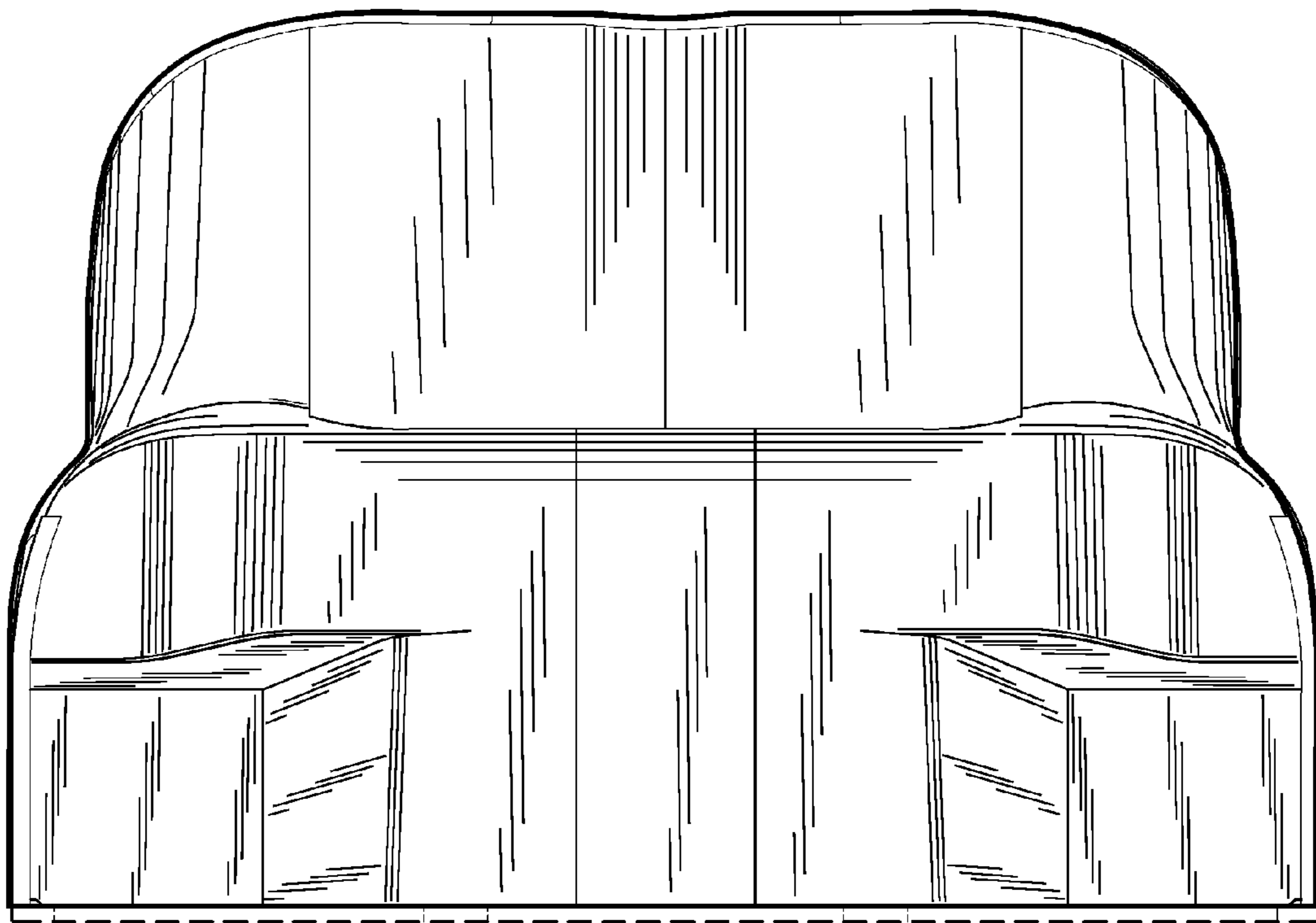


FIG. 3

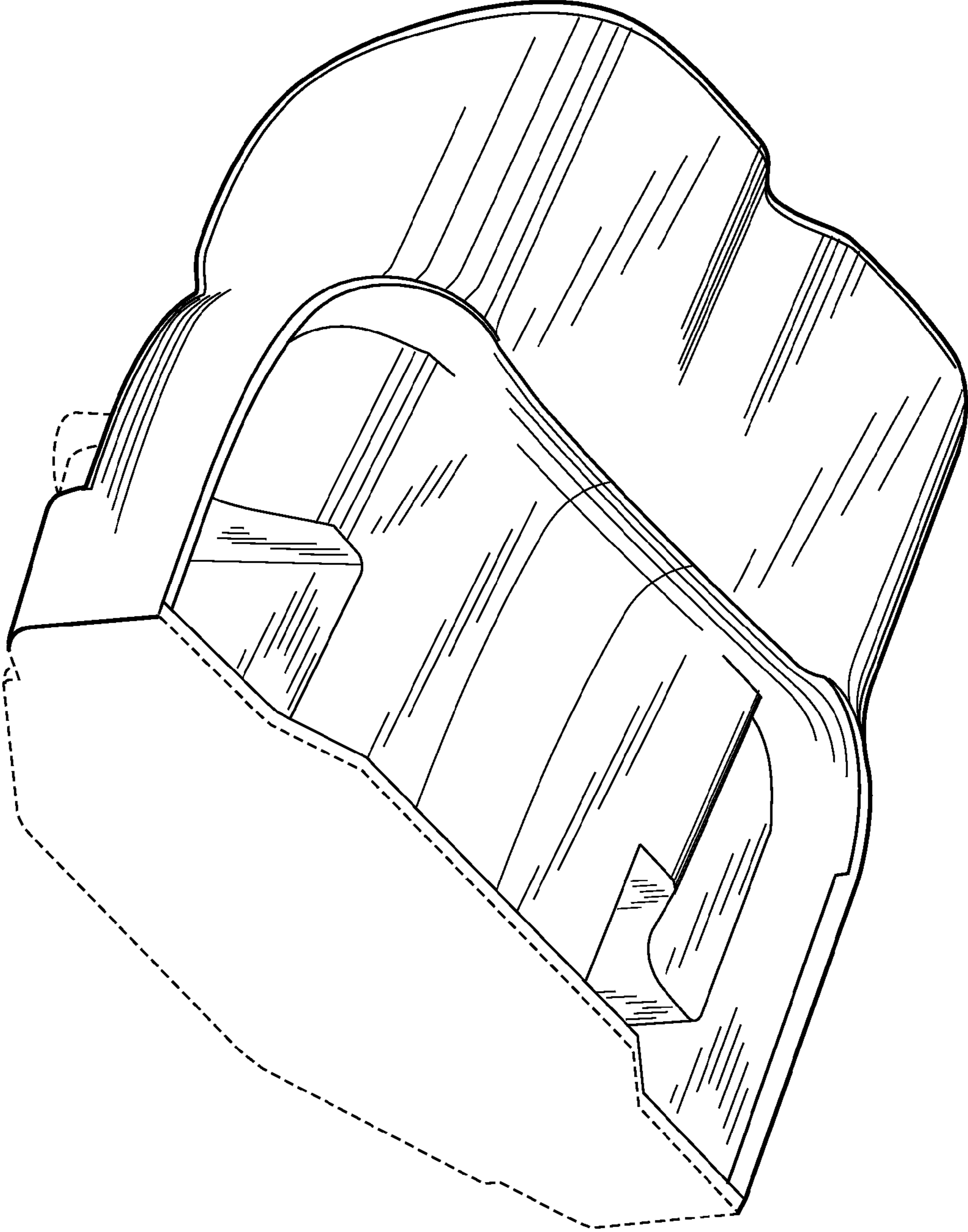


FIG. 4

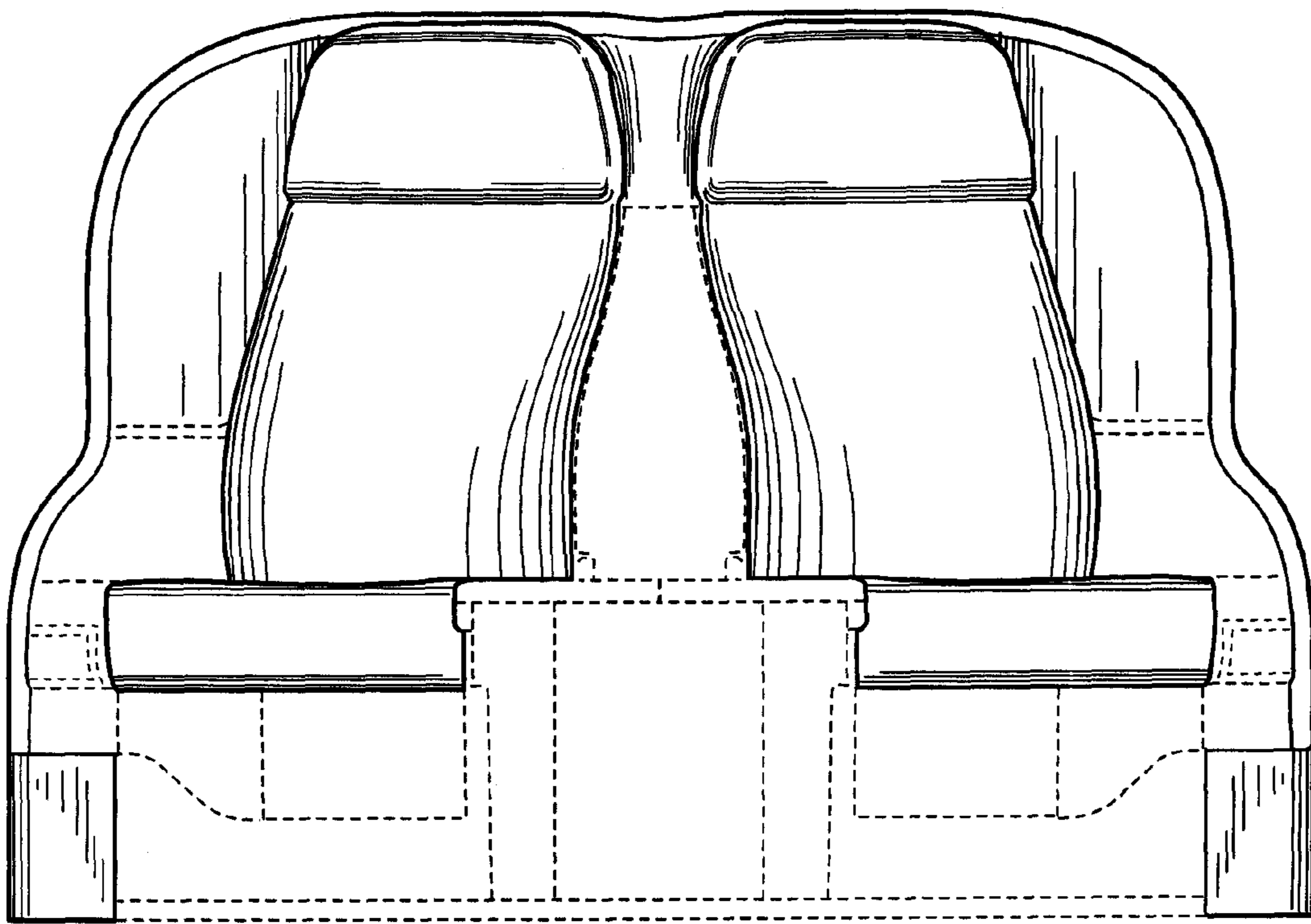


FIG. 5

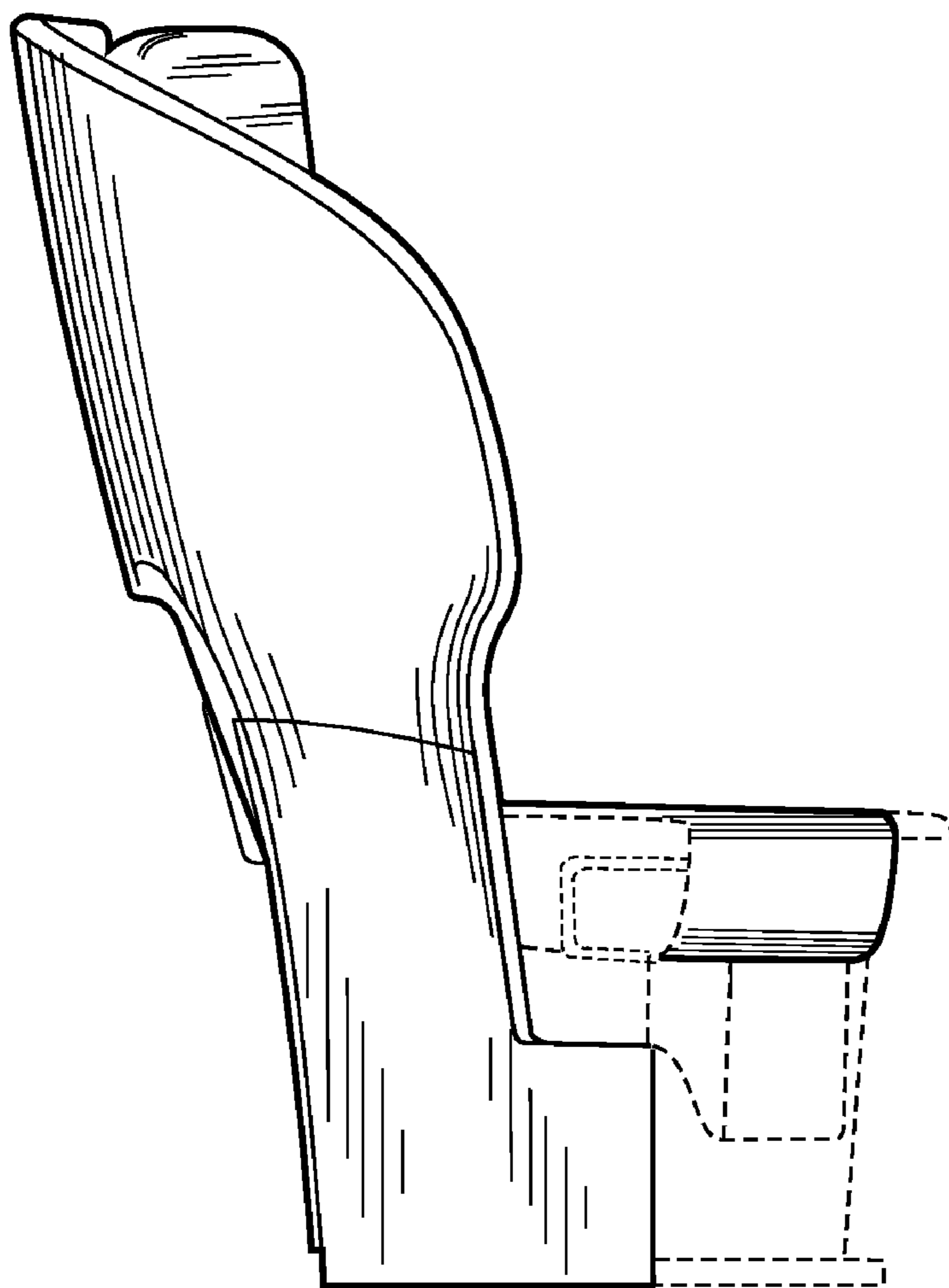


FIG. 6

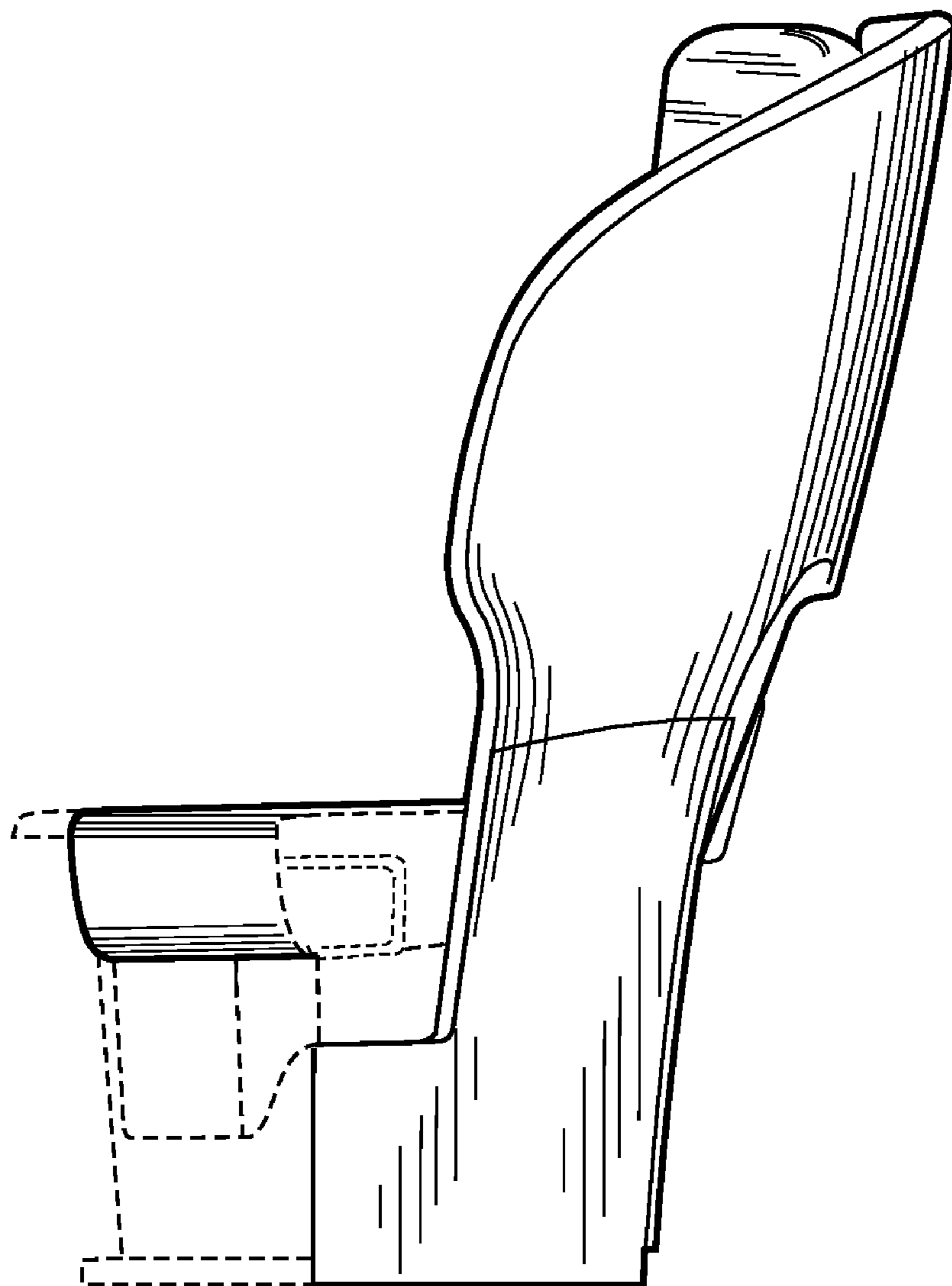


FIG. 7