

US00D652639S

(12) **United States Design Patent**
Ferraro et al.

(10) **Patent No.:** **US D652,639 S**
(45) **Date of Patent:** **** Jan. 24, 2012**

(54) **HANGER PORTION**

(75) Inventors: **Brandon R. Ferraro**, St. Louis Park, MN (US); **Jake Strassberger**, South Plainfield, NJ (US); **Keith C. Cedro**, Clifton, NJ (US)

(73) Assignee: **Target Brands, Inc.**, Minneapolis, MN (US)

(**) Term: **14 Years**

(21) Appl. No.: **29/353,105**

(22) Filed: **Dec. 31, 2009**

(51) **LOC (9) Cl.** **06-08**

(52) **U.S. Cl.** **D6/327; D6/328**

(58) **Field of Classification Search** D6/315-328; 223/85-98, DIG. 4; 211/86.01, 116, 118, 211/119; D21/302
See application file for complete search history.

(56) **References Cited**

U.S. PATENT DOCUMENTS

D91,319 S	1/1934	Falk	
2,058,217 A	10/1936	Dixon	
2,191,714 A	2/1940	Gustin	
2,192,167 A	3/1940	Bagley et al.	
2,451,552 A	10/1948	Hayward	
2,498,400 A	2/1950	Du Lude	
2,594,966 A	4/1952	McKinny	
2,598,315 A	5/1952	Sweet	
D175,456 S *	8/1955	Behlefeldt	D6/327
2,822,967 A	2/1958	Spitz	
D191,969 S	12/1961	Field	
3,209,967 A *	10/1965	Hasselback	223/96
3,435,999 A	4/1969	Mantell	
3,445,045 A	5/1969	Panning	
D215,899 S	11/1969	Soderberg	
3,557,944 A	1/1971	Crane	
3,592,343 A *	7/1971	Swett et al.	211/123
3,651,999 A	3/1972	Fiocca	
3,680,746 A	8/1972	Seckelmann	
D229,811 S *	1/1974	Loughton	D6/327

3,900,181 A	8/1975	Pitanis	
D238,539 S *	1/1976	Field	D6/315
3,945,500 A	3/1976	Meckstroth	
4,029,212 A *	6/1977	Uadiski	211/113
4,132,316 A	1/1979	Schmidt, Jr.	
4,366,909 A	1/1983	Fahmi	
4,474,316 A	10/1984	Philibert	
4,889,265 A	12/1989	Morgan	
D309,220 S *	7/1990	Welch	D6/317
D320,700 S *	10/1991	Testa	D6/317
5,092,502 A	3/1992	Kolton et al.	
D344,638 S	3/1994	Howes et al.	
5,421,465 A	6/1995	Dunner, Jr.	
D365,448 S	12/1995	Travis et al.	
5,501,378 A	3/1996	Kolton et al.	

(Continued)

FOREIGN PATENT DOCUMENTS

GB 2412579 A 10/2005

(Continued)

Primary Examiner — Prabhakar Deshmukh

(74) *Attorney, Agent, or Firm* — Griffiths & Seaton PLLC

(57) **CLAIM**

The ornamental design for a hanger portion, as shown and described.

DESCRIPTION

FIG. 1 is a front, perspective view of a hanger portion showing of our new design;

FIG. 2 is a front view thereof, the rear view being a mirror image of the front view;

FIG. 3 is a right side view thereof;

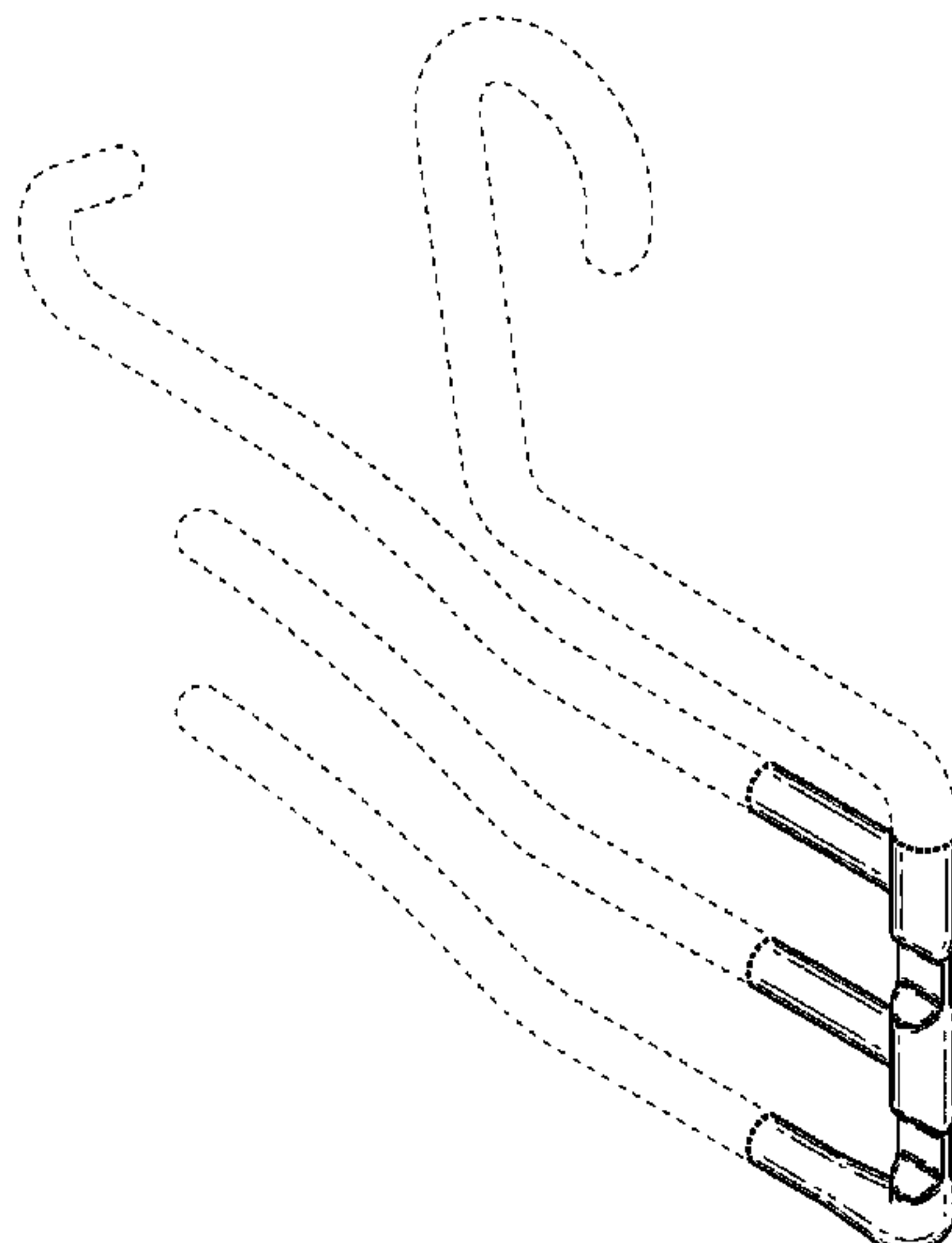
FIG. 4 is a left side view thereof;

FIG. 5 is a top view thereof; and,

FIG. 6 is a bottom view thereof.

The bolded broken lines indicate the boundaries of the claimed design. All other broken lines depict the unclaimed portions of the design. None of the broken lines form part of the claimed design.

1 Claim, 4 Drawing Sheets



US D652,639 S

Page 2

U.S. PATENT DOCUMENTS

D381,815 S * 8/1997 Louw D6/327
D401,705 S 11/1998 Jones
D410,793 S 6/1999 Gouldson
6,006,964 A * 12/1999 White 223/85
D435,174 S * 12/2000 Grisdale et al. D6/327
D435,354 S * 12/2000 Skeens D6/317

6,170,679 B1 1/2001 Frye et al.
D633,310 S 3/2011 Song et al.
7,997,513 B2 * 8/2011 Chen et al. 239/243

FOREIGN PATENT DOCUMENTS

GB 2434975 A 8/2007

* cited by examiner

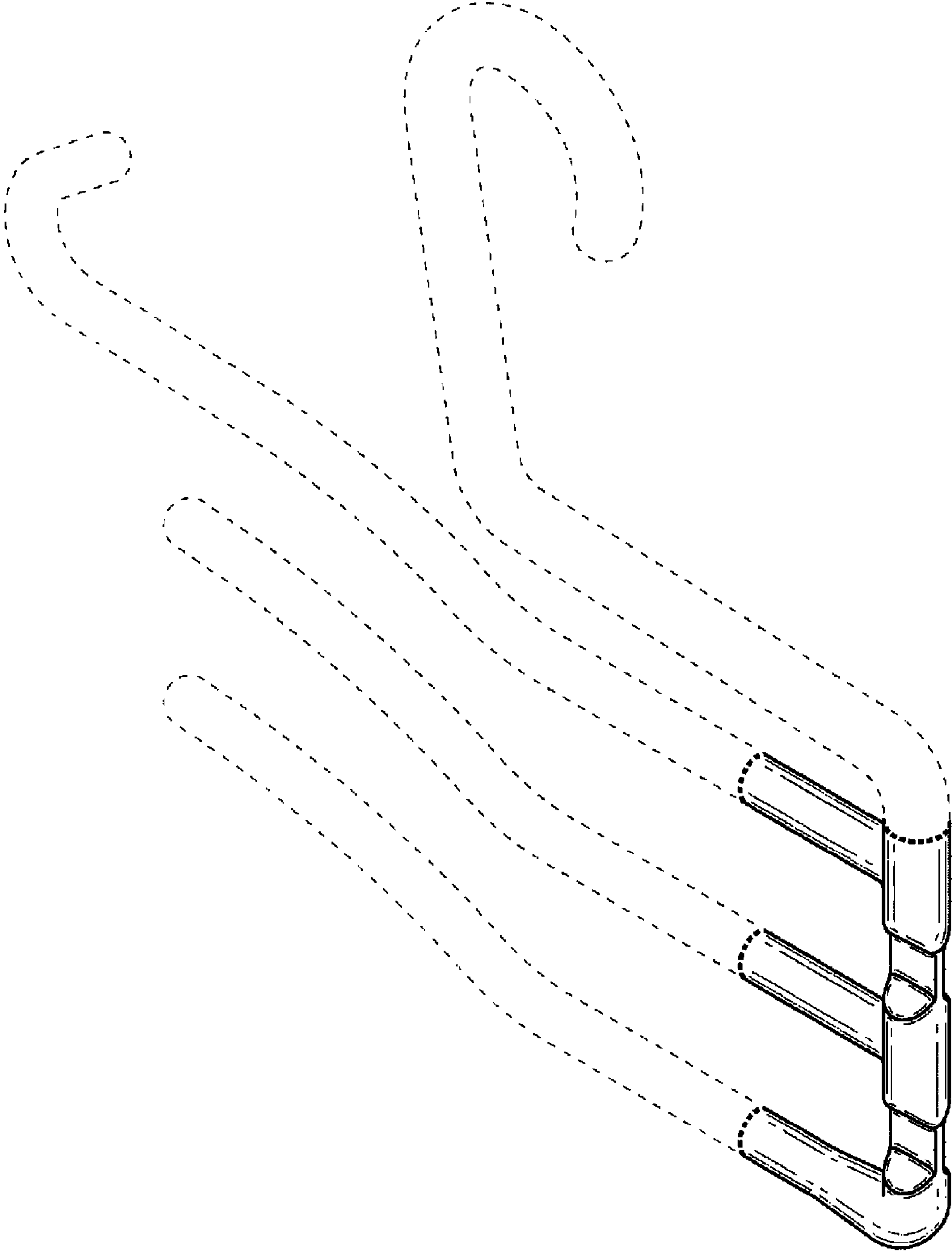


Fig. 1

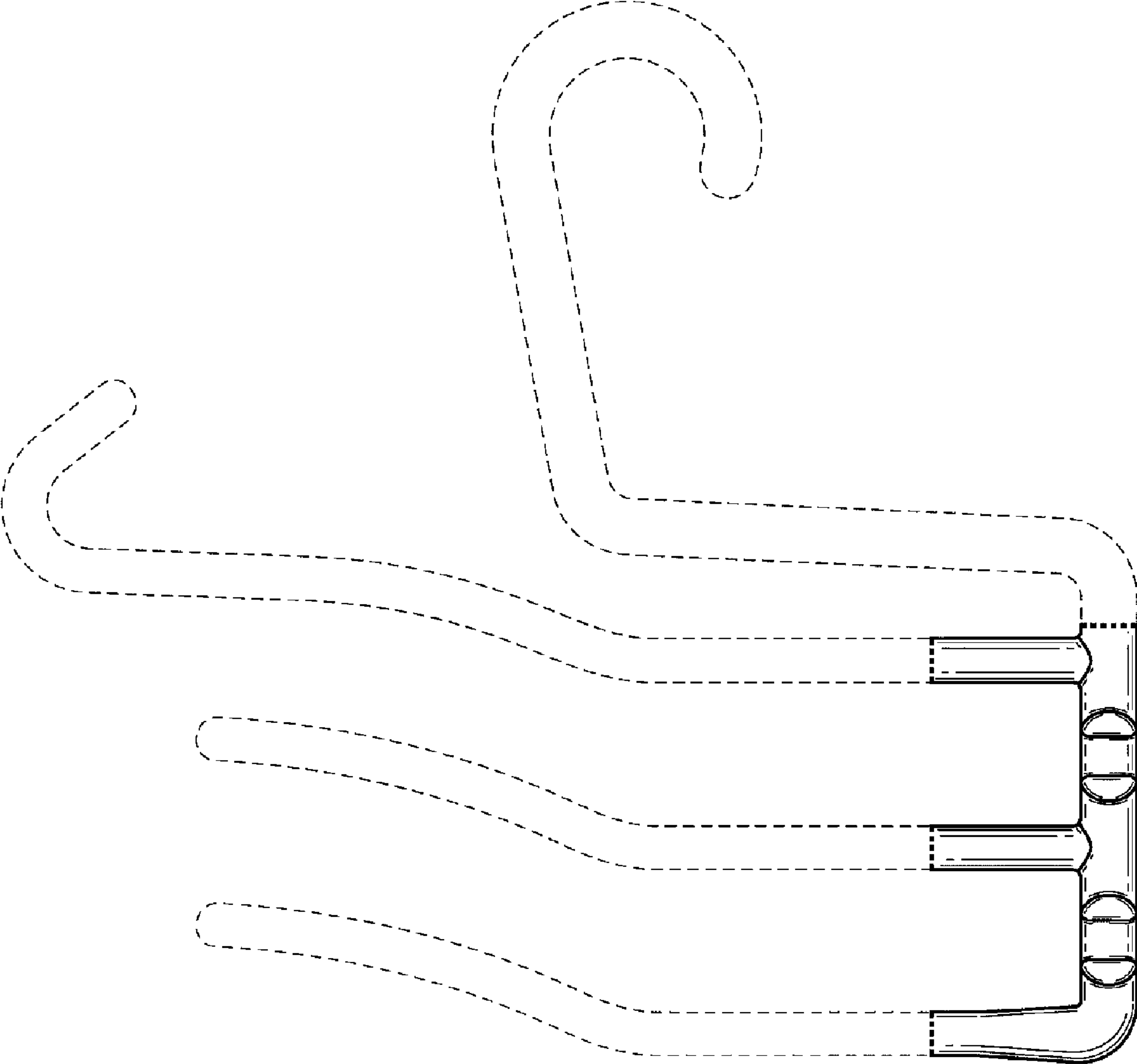


Fig. 2



Fig. 3



Fig. 4



Fig. 5

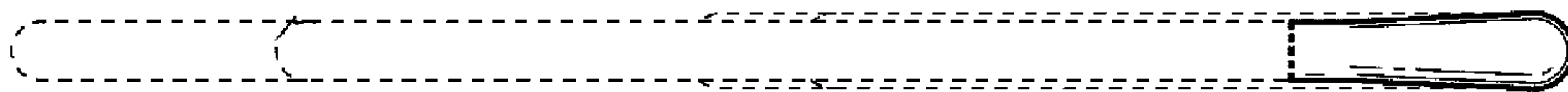


Fig. 6