



US00D652637S

(12) **United States Design Patent**
Bischoff et al.

(10) **Patent No.:** **US D652,637 S**

(45) **Date of Patent:** **** Jan. 24, 2012**

(54) **HANGER**

(75) Inventors: **Corey Michael Bischoff**, Cincinnati, OH (US); **Stephan James Andreas Meschkat**, Hessen (DE); **Oliver von Satori-Montecroce**, Hessen (DE); **Markus Sabisch**, Waldems (DE); **Benjamin James Beck**, Boston, MA (US); **Douglas Arthur Marsden**, Marblehead, MA (US); **Christopher James Page**, Somerville, MA (US)

(73) Assignee: **The Procter & Gamble Company**, Cincinnati, OH (US)

(**) Term: **14 Years**

(21) Appl. No.: **29/360,506**

(22) Filed: **Apr. 27, 2010**

(51) **LOC (9) Cl.** **06-08**

(52) **U.S. Cl.** **D6/319**

(58) **Field of Classification Search** D6/315-328;
223/85-98; 211/1, 13.1, 85.3

See application file for complete search history.

(56) **References Cited**

U.S. PATENT DOCUMENTS

D159,538 S * 8/1950 Bavran D6/316
(Continued)

FOREIGN PATENT DOCUMENTS

EP 670133 9/1995
(Continued)

OTHER PUBLICATIONS

U.S. Appl. No. 29/360,511, filed Apr. 27, 2010, Bischoff, et al.

Primary Examiner — Prabhakar Deshmukh

(74) *Attorney, Agent, or Firm* — Julia A. Glazer; Marianne Dressman

(57) **CLAIM**

The ornamental design for a hanger, as shown and described.

DESCRIPTION

FIG. 1 is a perspective view of a hanger showing our new design.

FIG. 2 is a front view of the hanger of FIG. 1.

FIG. 3 is a back view of the hanger of FIG. 1.

FIG. 4 is a left side view of the hanger of FIG. 1.

FIG. 5 is a right side view of the hanger of FIG. 1.

FIG. 6 is a top view of the hanger of FIG. 1.

FIG. 7 is a bottom view of the hanger of FIG. 1.

FIG. 8 is a perspective view of the hanger of FIG. 1 showing the top portion in a downward position.

FIG. 9 is a front view of the hanger of FIG. 8.

FIG. 10 is a back view of the hanger of FIG. 8.

FIG. 11 is a left side view of the hanger of FIG. 8.

FIG. 12 is a right side view of the hanger of FIG. 8.

FIG. 13 is a top view of the hanger of FIG. 8.

FIG. 14 is a bottom view of the hanger of FIG. 8.

FIG. 15 is a perspective view of the hanger of FIG. 1 showing the side portions in an extended position.

FIG. 16 is a front view of the hanger of FIG. 15.

FIG. 17 is a back view of the hanger of FIG. 15.

FIG. 18 is a left side view of the hanger of FIG. 15.

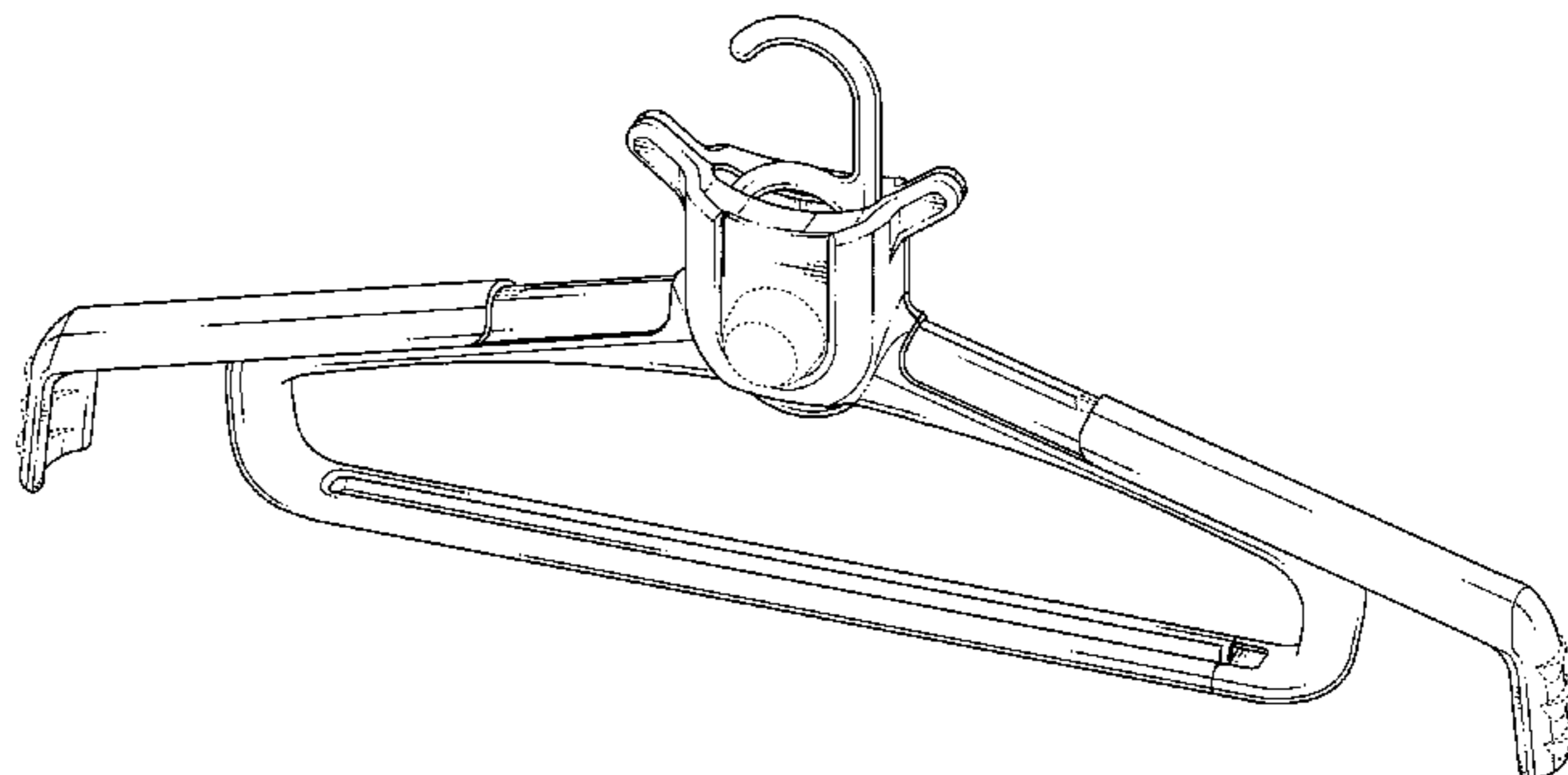
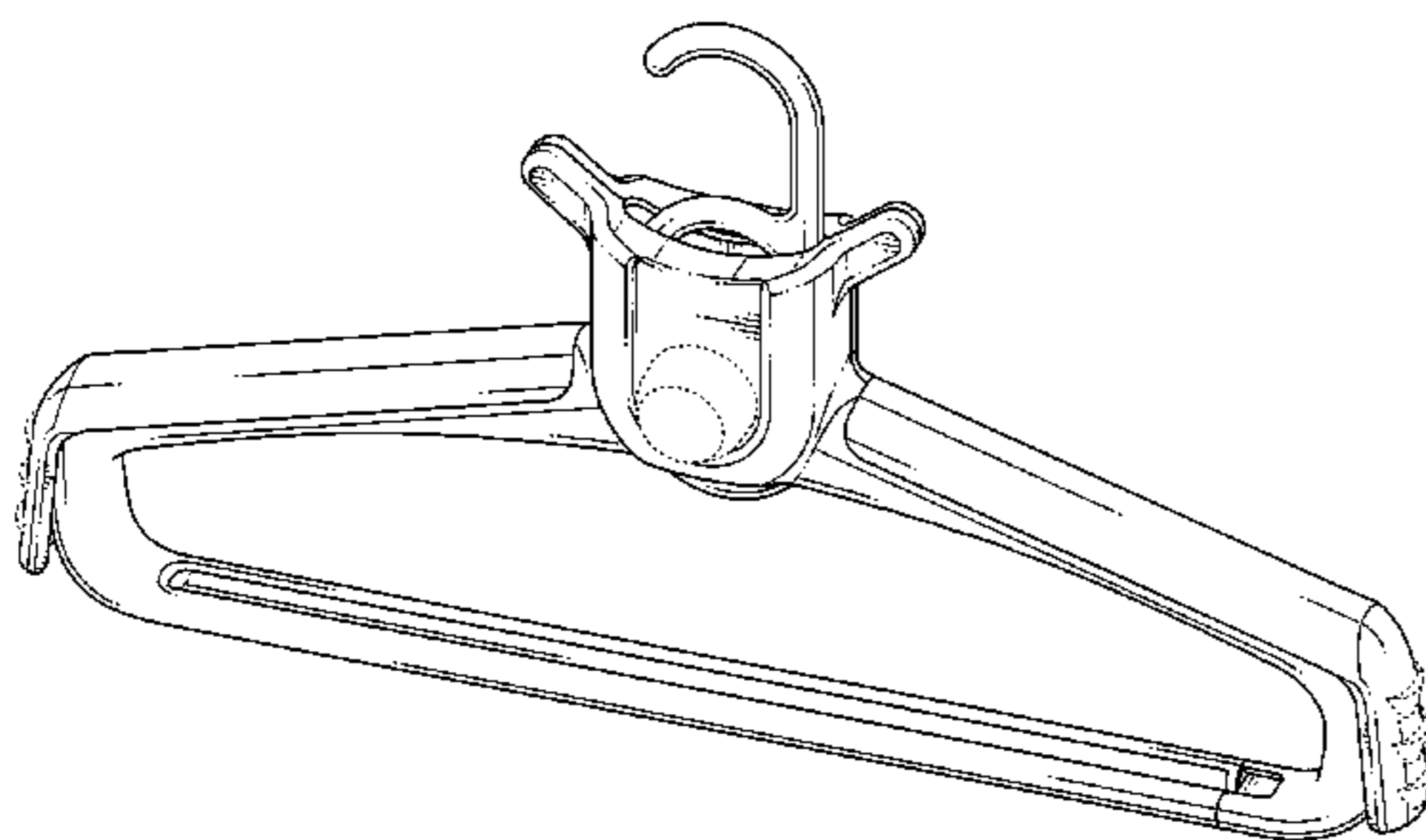
FIG. 19 is a right side view of the hanger of FIG. 15.

FIG. 20 is a top view of the hanger of FIG. 15; and,

FIG. 21 is a bottom view of the hanger of FIG. 15.

The broken line showing of environmental structure is for illustrative purposes only and forms no part of the claimed design.

1 Claim, 15 Drawing Sheets



US D652,637 S

Page 2

U.S. PATENT DOCUMENTS

3,407,979 A * 10/1968 Patch 223/88
4,714,183 A * 12/1987 Tontarelli 223/91
D302,078 S * 7/1989 De Wet D6/319
5,085,358 A 2/1992 Lam
5,102,019 A 4/1992 Lam
5,511,701 A 4/1996 Lam
5,520,311 A 5/1996 Lam
5,664,710 A 9/1997 Lam
5,727,718 A 3/1998 Lam
5,797,527 A 8/1998 Lam
5,803,321 A * 9/1998 Willinger et al. 223/88
5,836,487 A 11/1998 Lam
6,012,619 A 1/2000 Lam
6,021,932 A 2/2000 Lam
6,176,400 B1 1/2001 Lam
6,409,058 B1 6/2002 Lam et al.
6,457,615 B1 10/2002 Lam

6,467,658 B1 * 10/2002 Olk et al. 223/88
6,644,520 B2 11/2003 Lam
D498,597 S * 11/2004 Ortega D6/319
7,210,576 B2 5/2007 Lam
7,270,252 B2 9/2007 Hunt et al.
D597,749 S * 8/2009 Heroux D6/319
7,641,084 B1 1/2010 Alcaraz
D645,538 S * 9/2011 Reid et al. D23/209
2002/0056735 A1 5/2002 Lam
2007/0075103 A1 4/2007 Stubbers
2010/0282785 A1 11/2010 Roselle et al.

FOREIGN PATENT DOCUMENTS

EP 683999 A1 11/1995
EP 812556 A2 12/1997
WO WO 2003/051160 6/2003

* cited by examiner

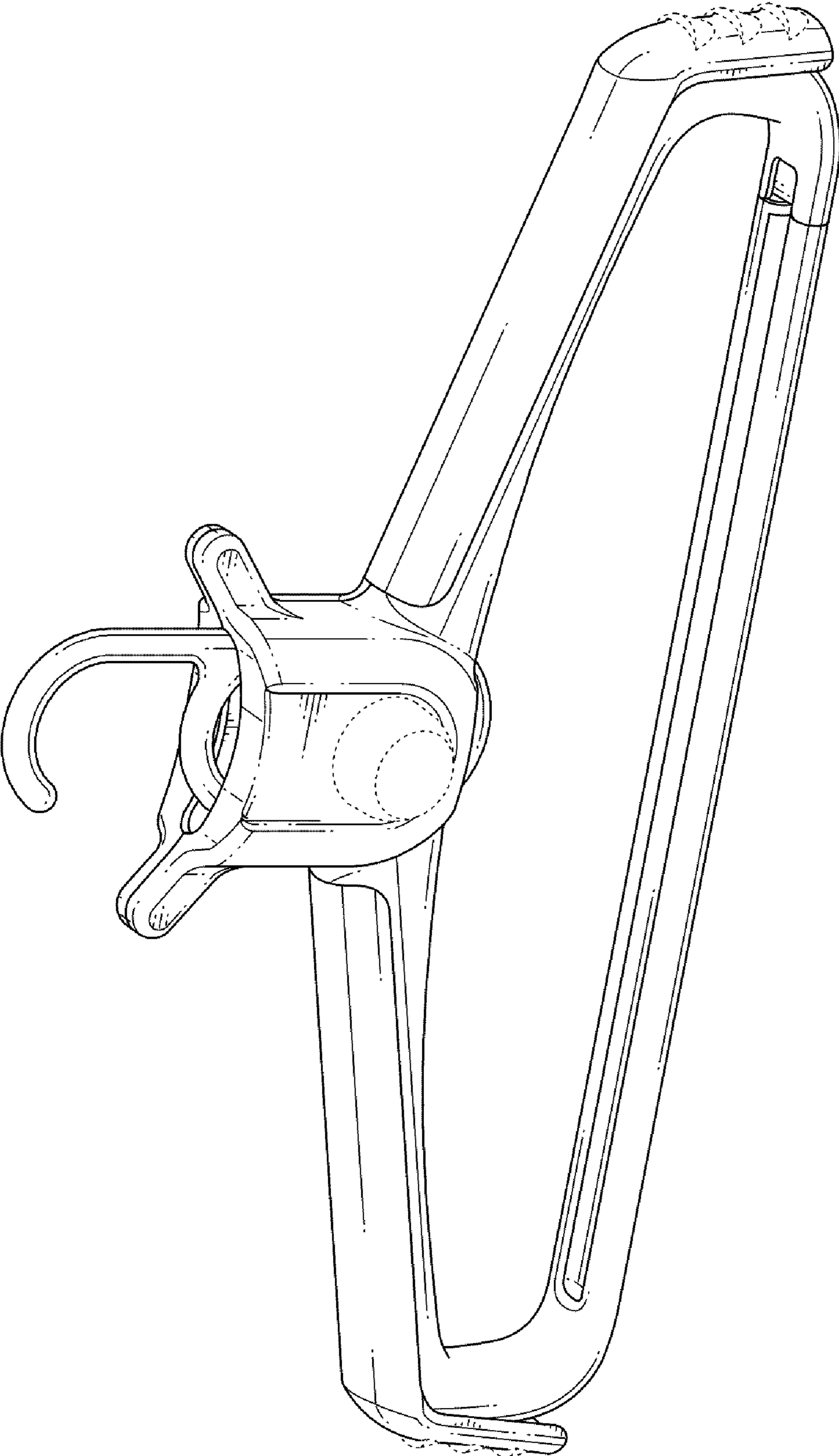


FIG. 1

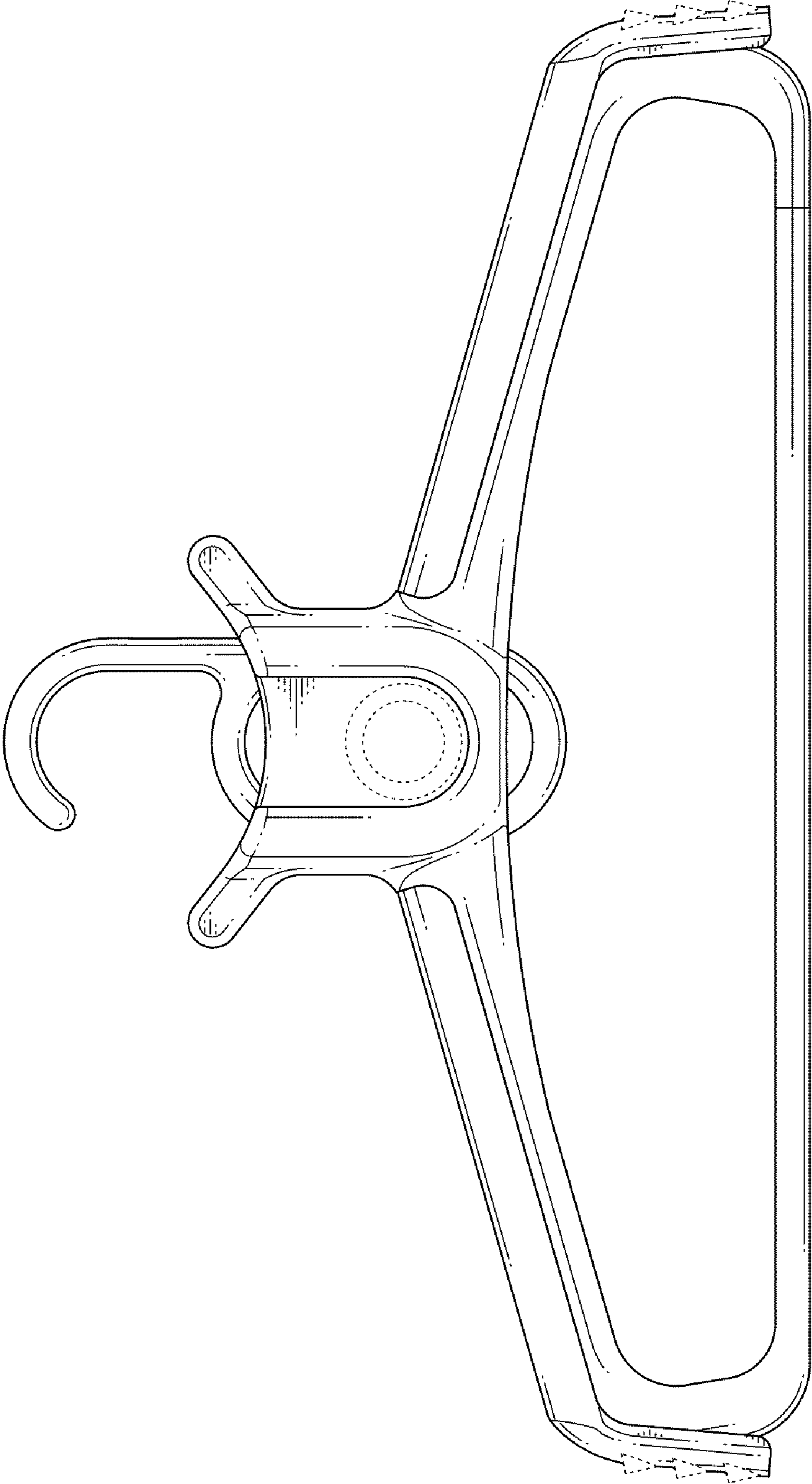


FIG. 2

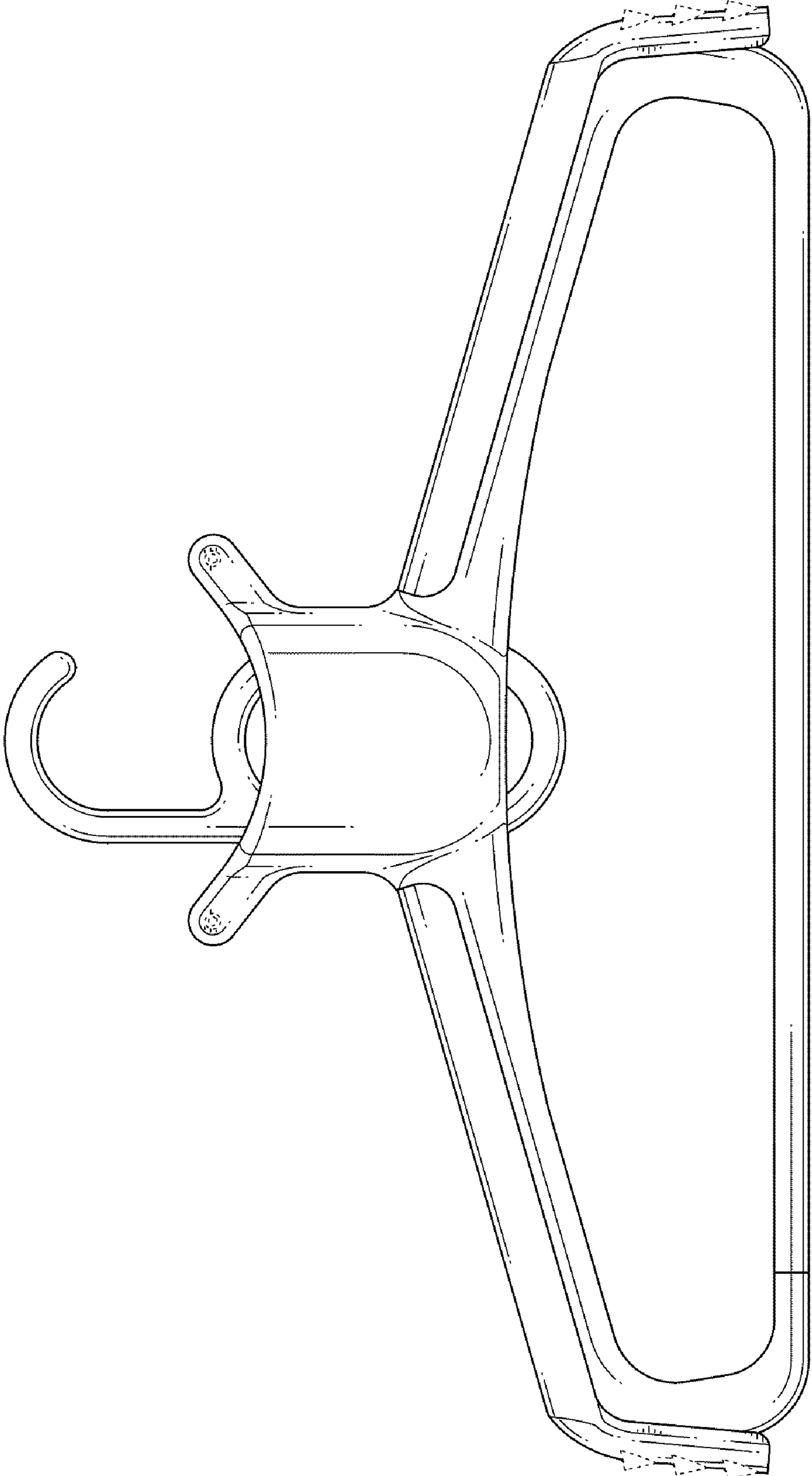


FIG. 3

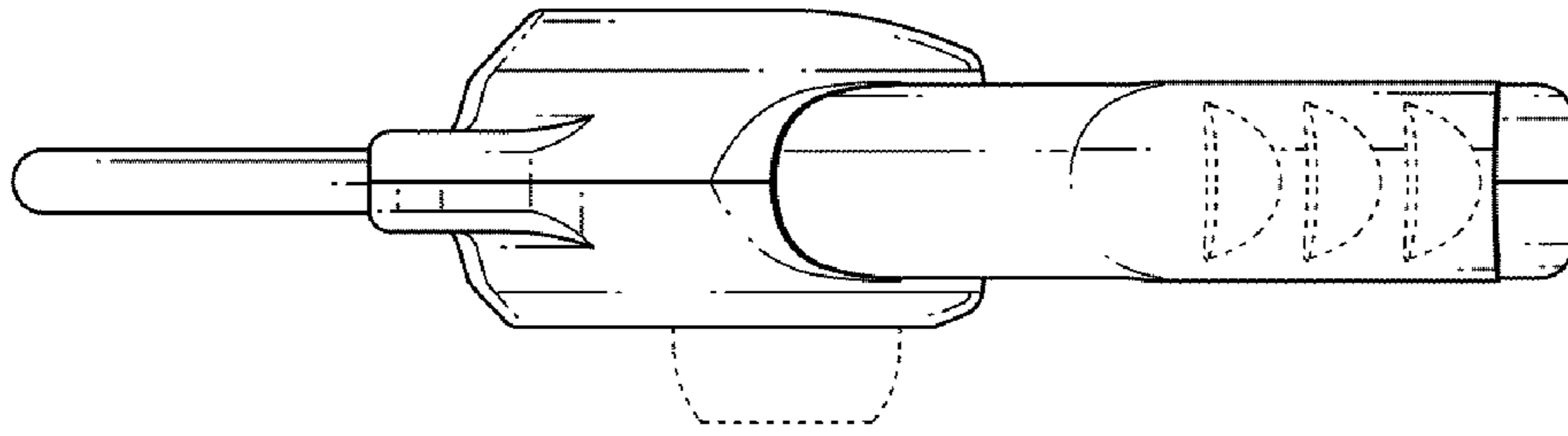


FIG. 5

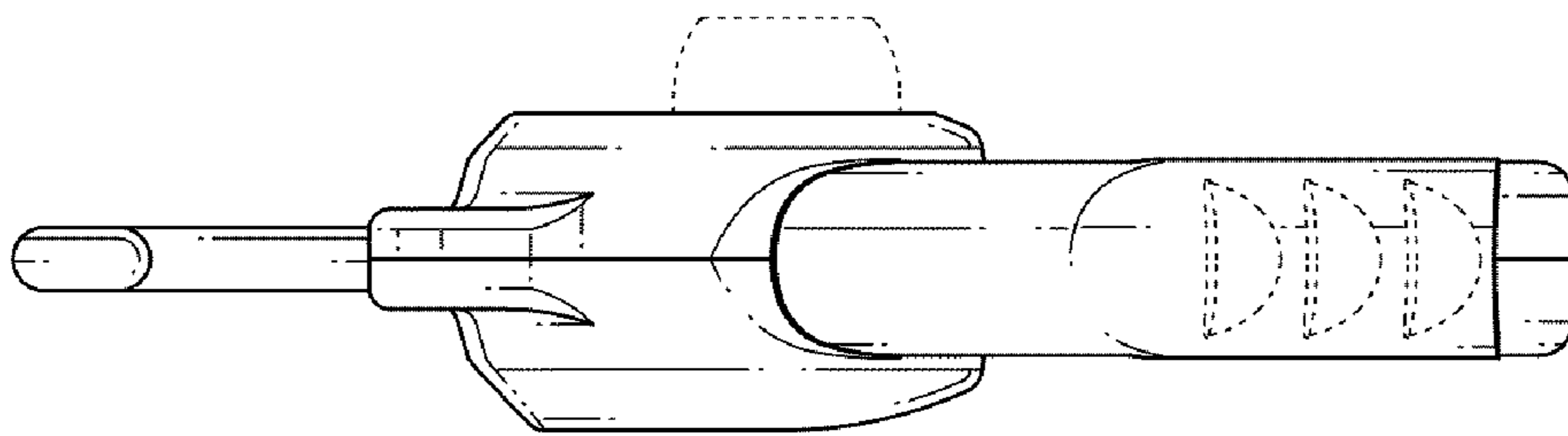


FIG. 4

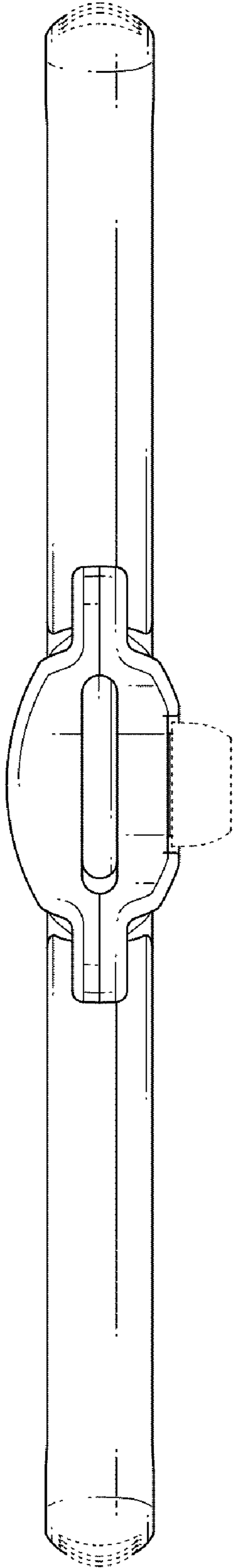


FIG. 6

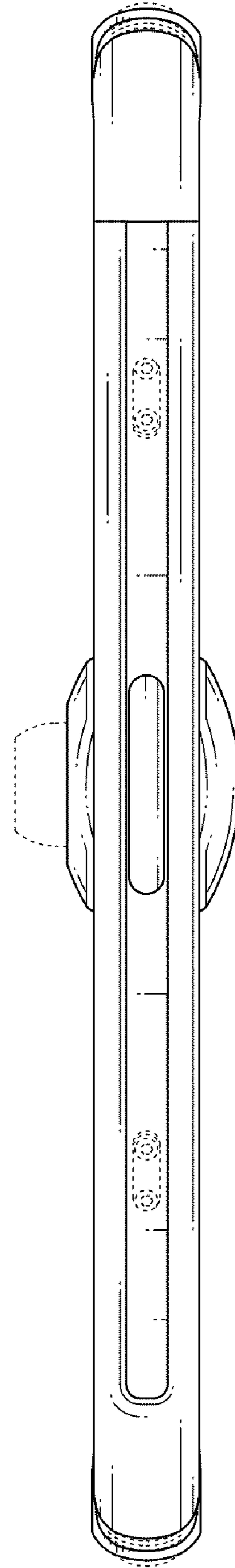


FIG. 7

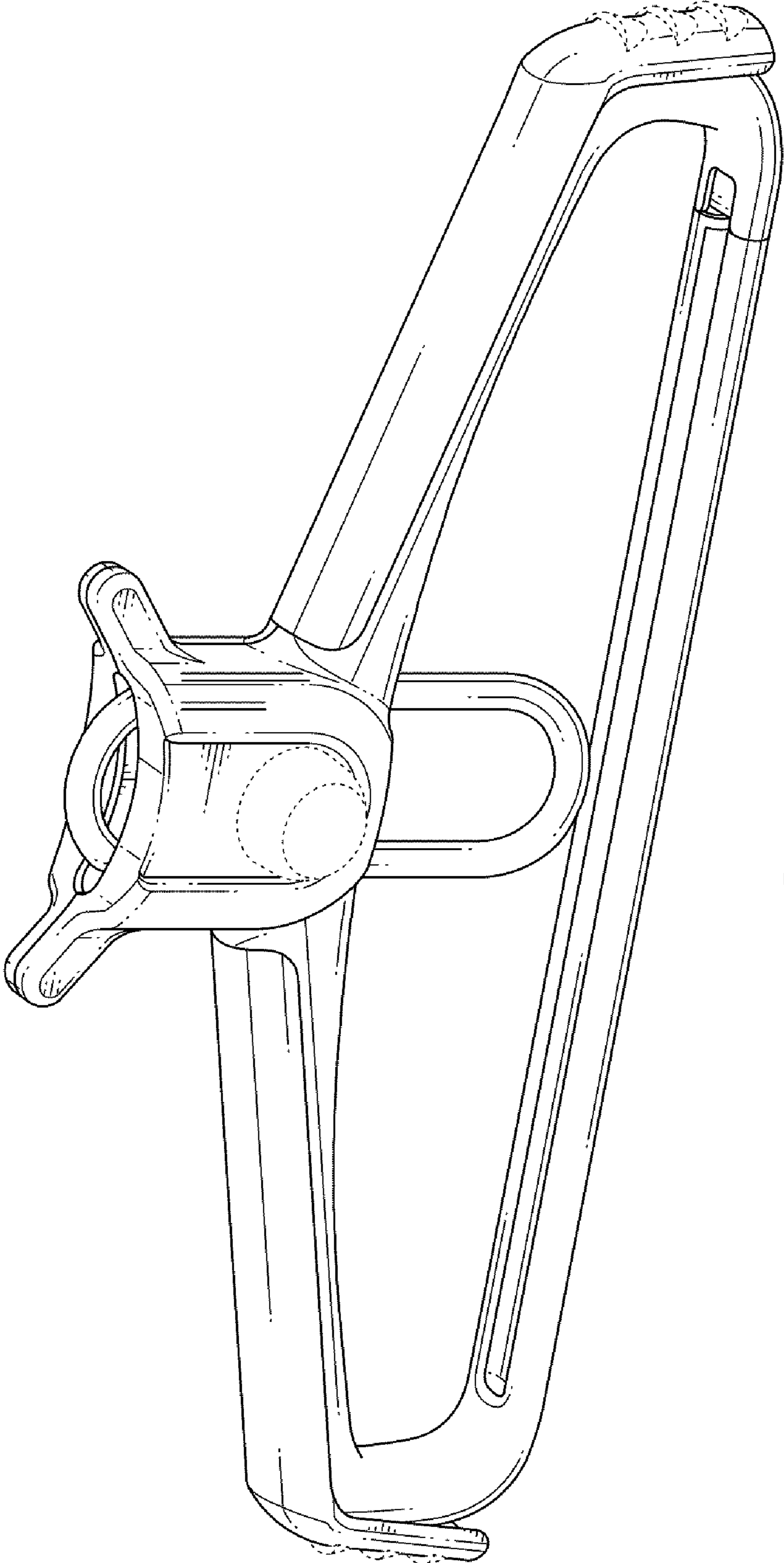


FIG. 8

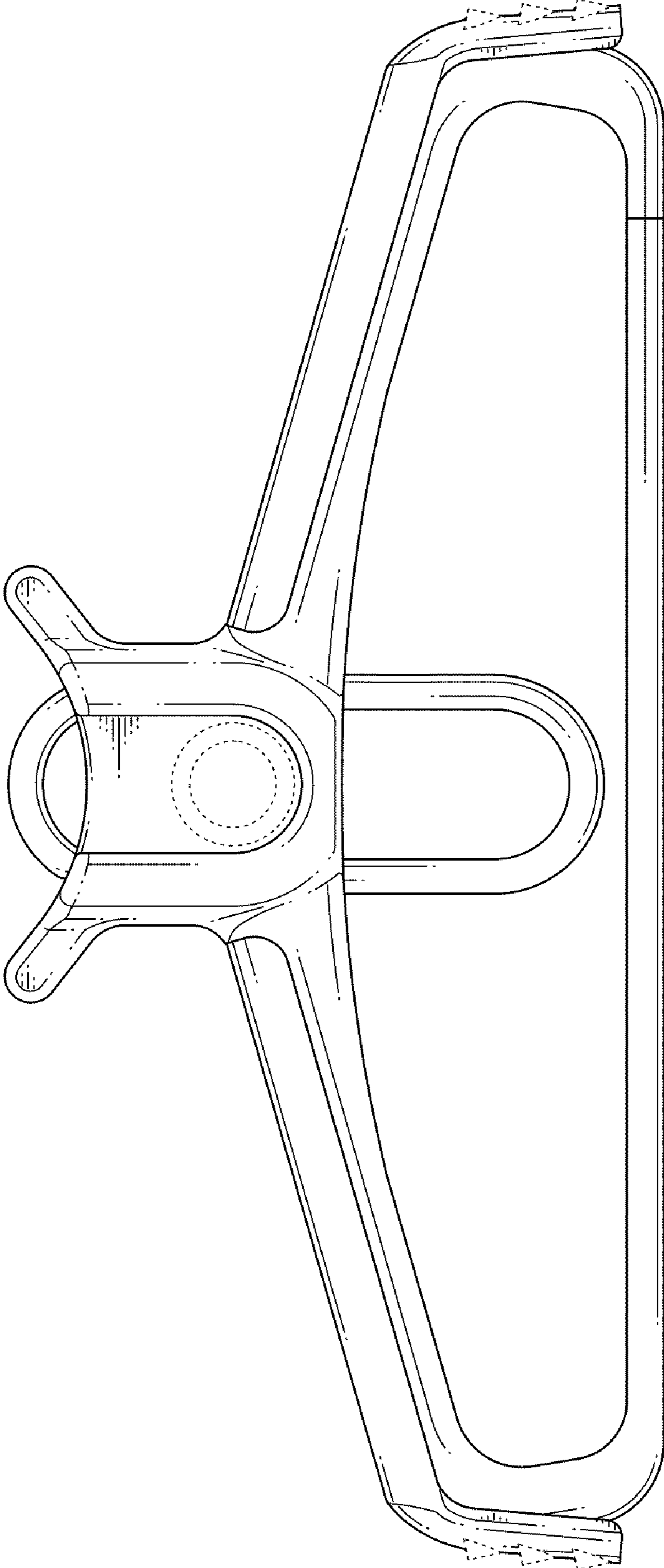


FIG. 9

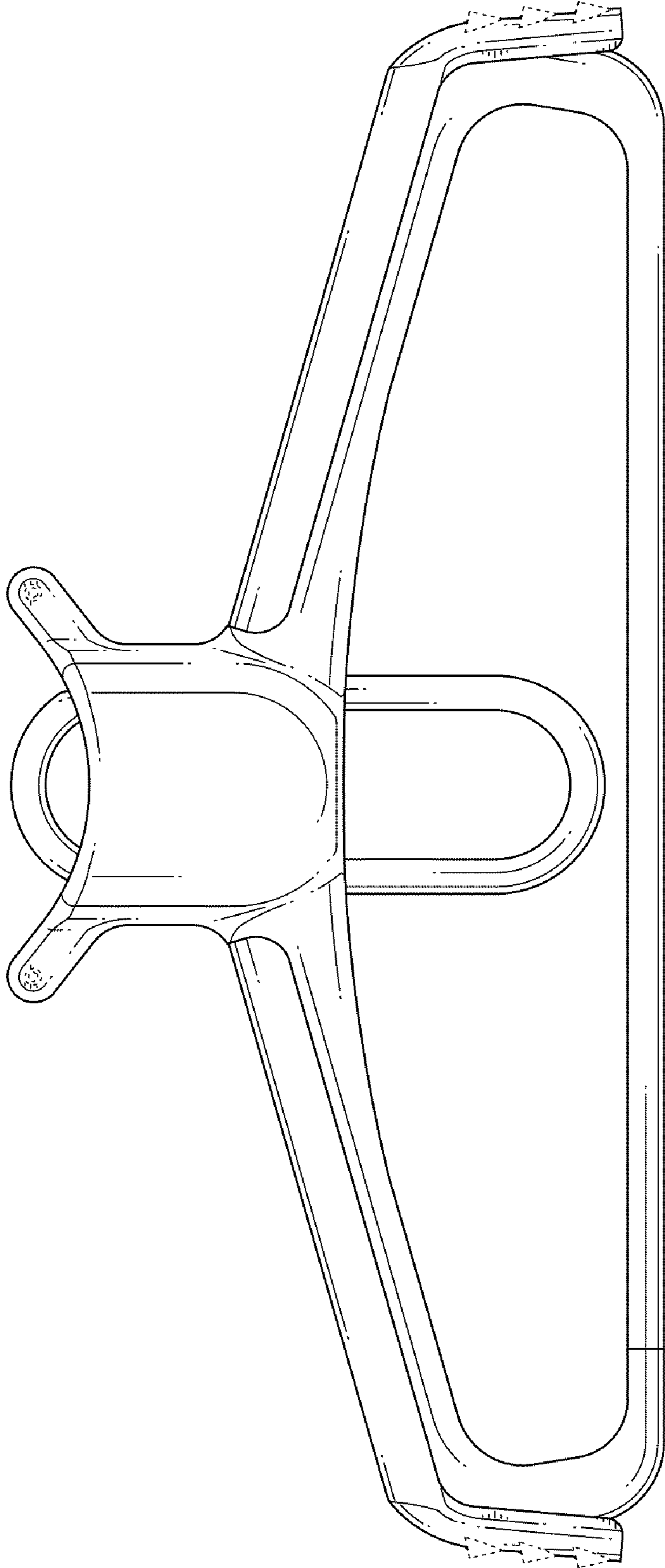


FIG. 10

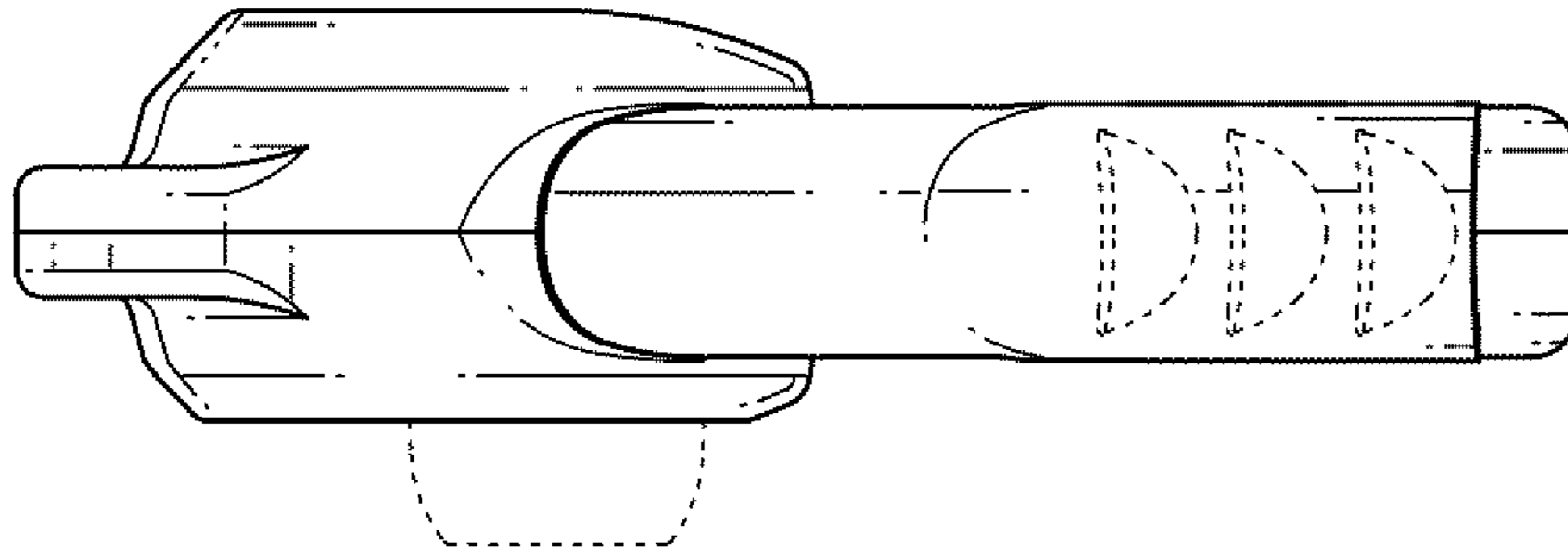


FIG. 11

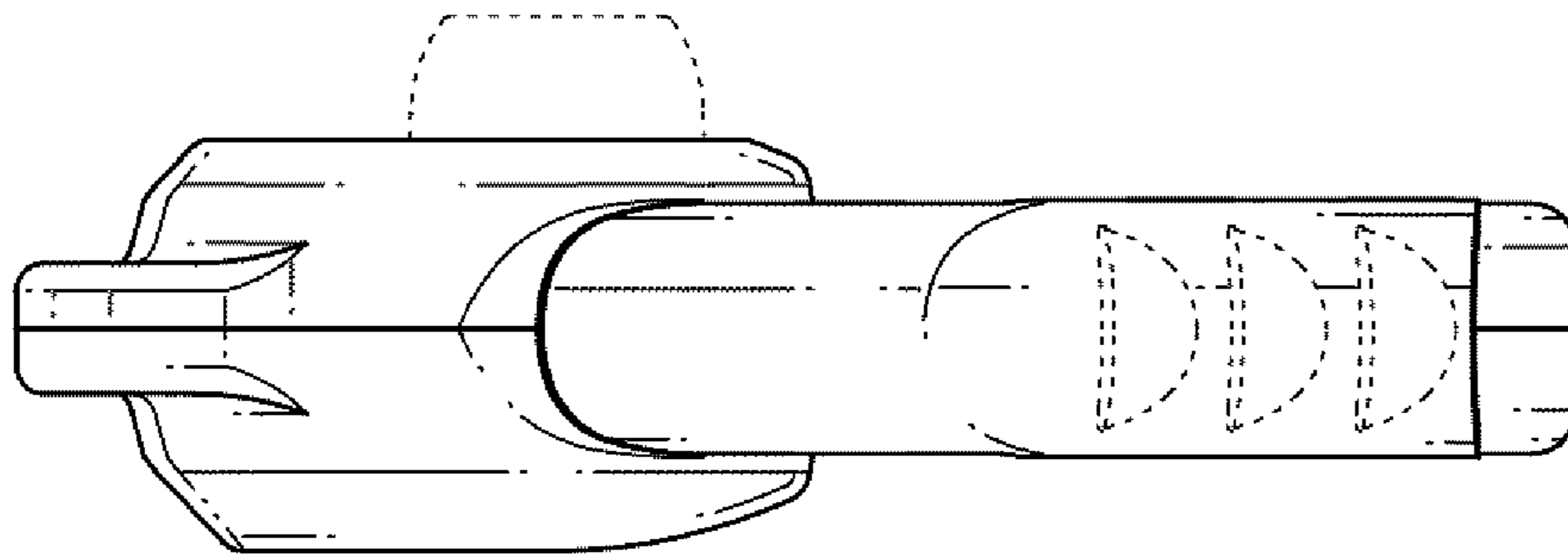


FIG. 12

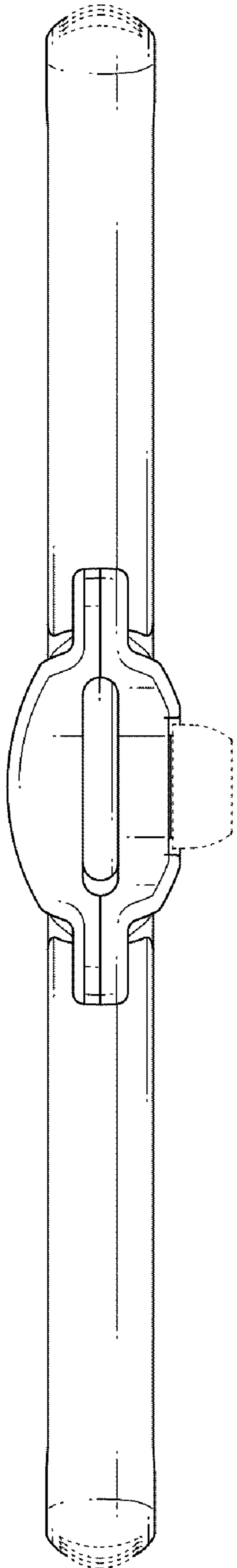


FIG. 13

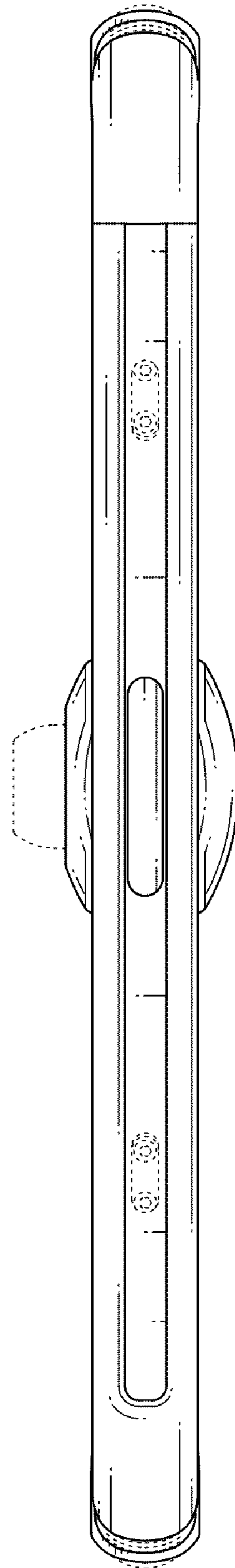


FIG. 14

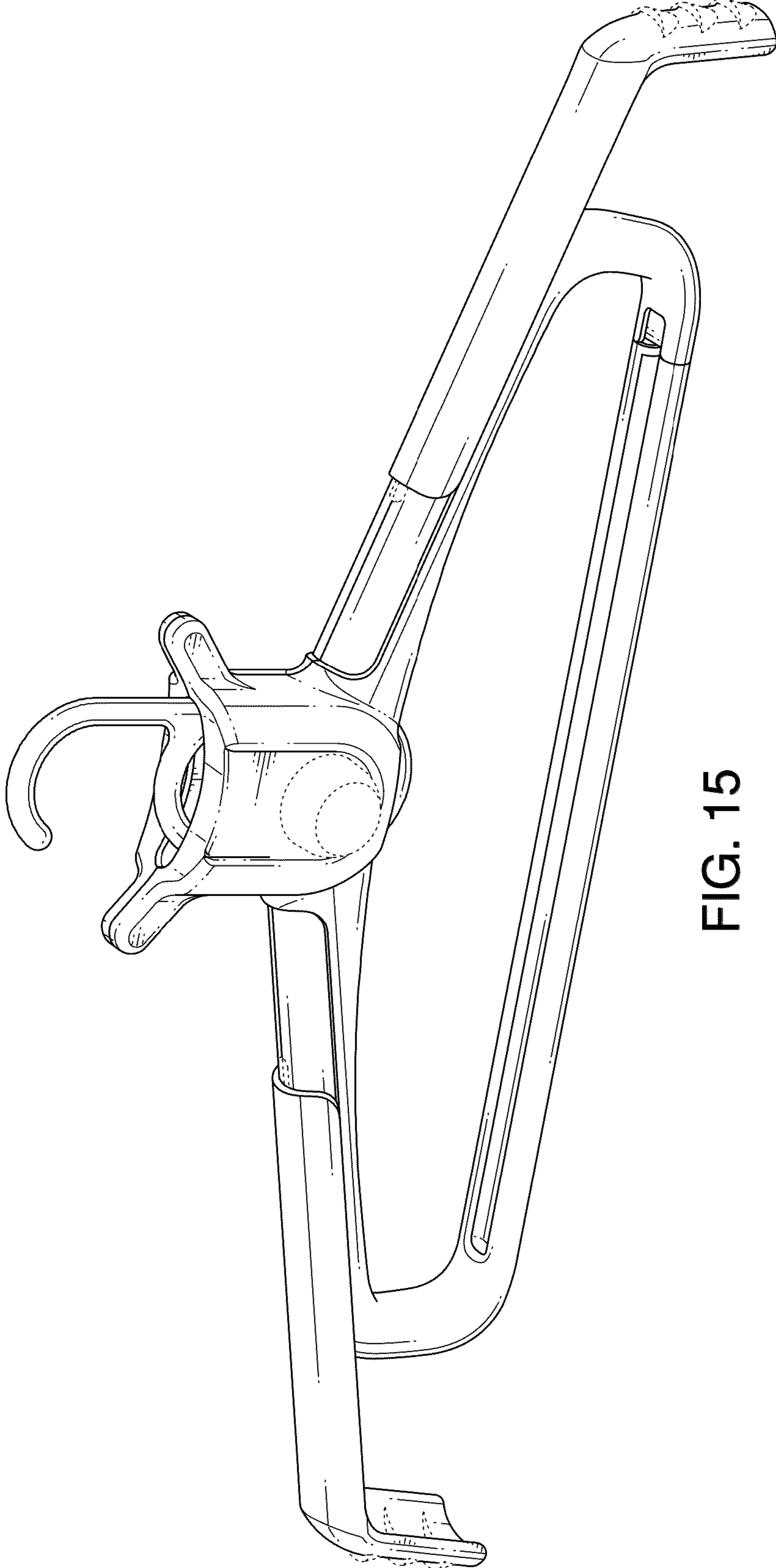


FIG. 15

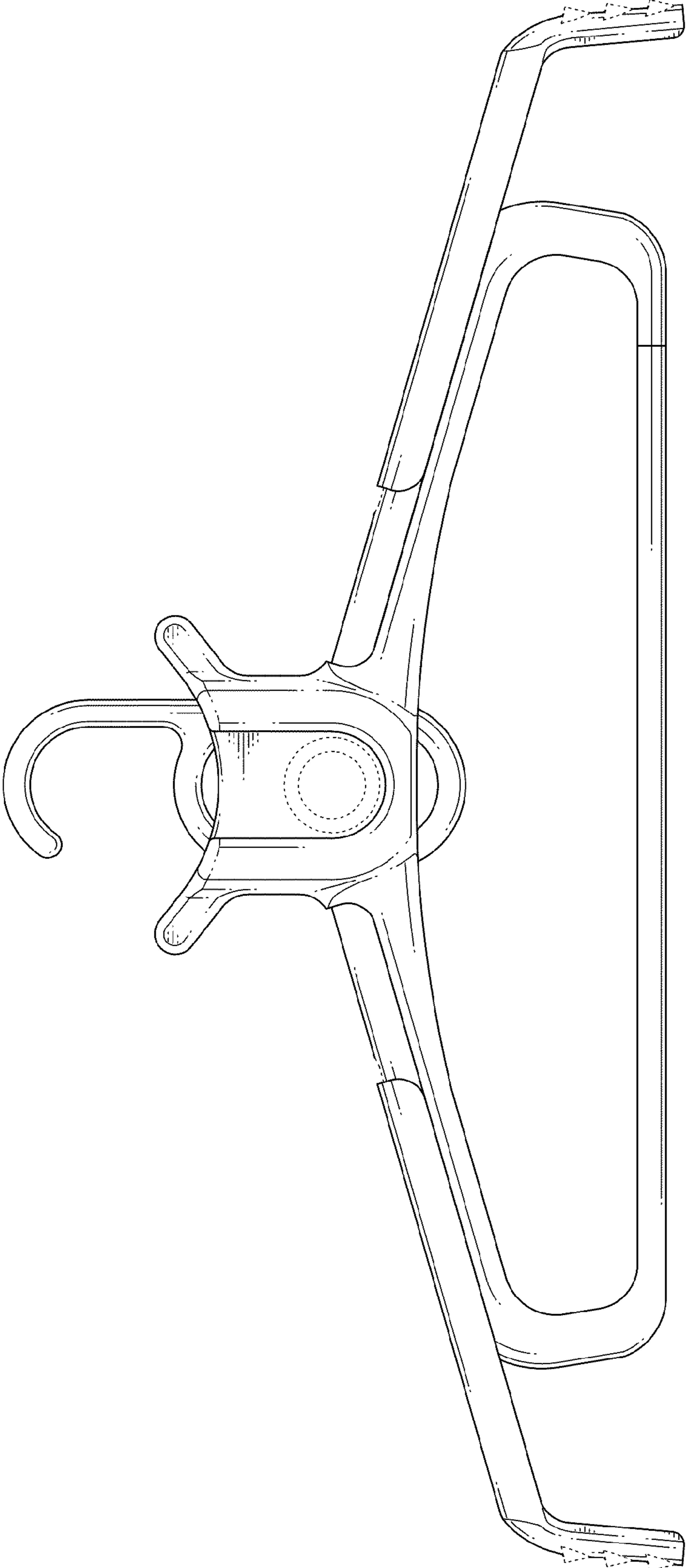


FIG. 16

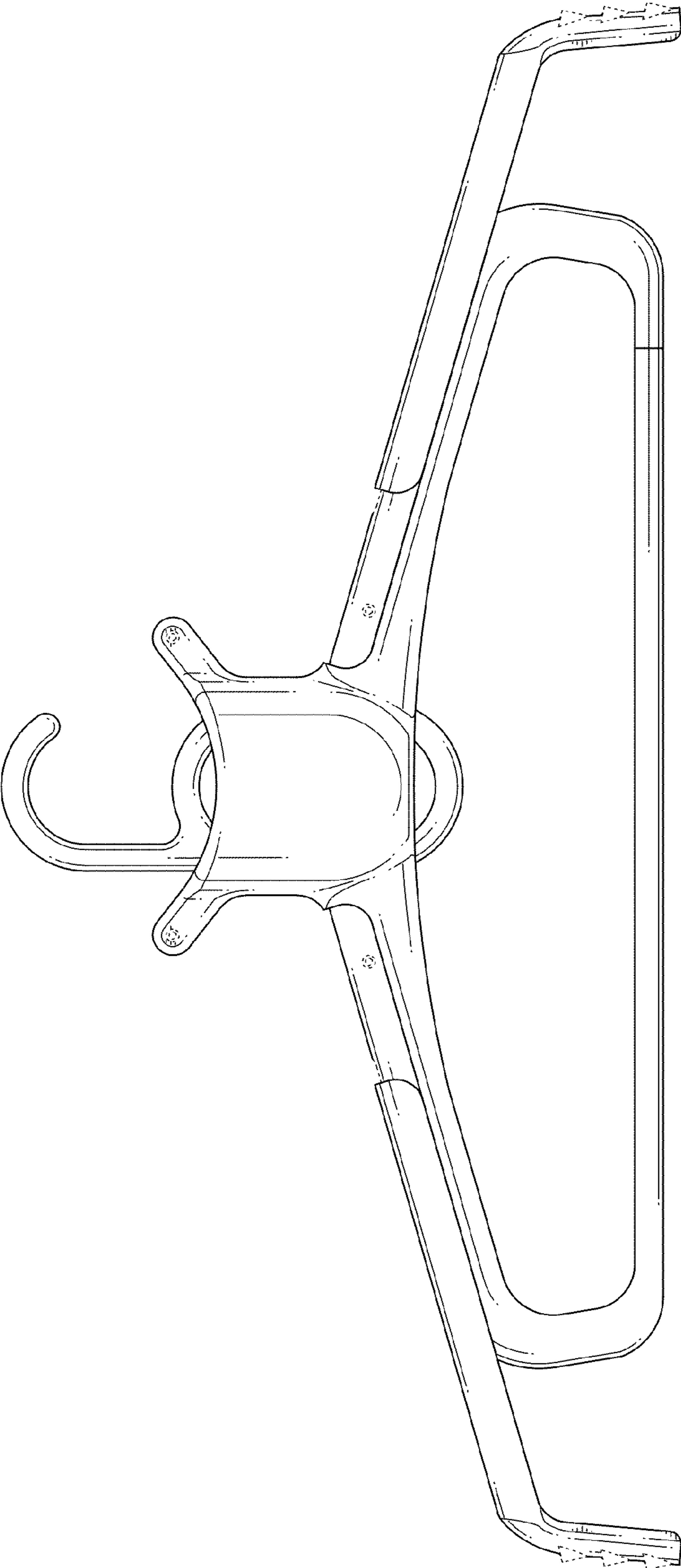


FIG. 17

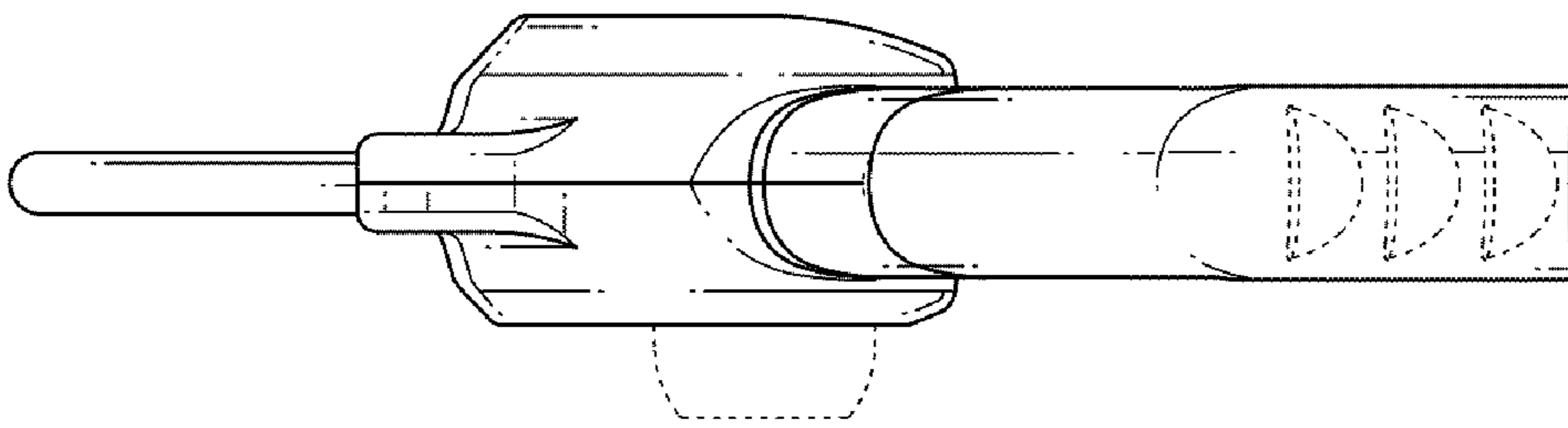


FIG. 19

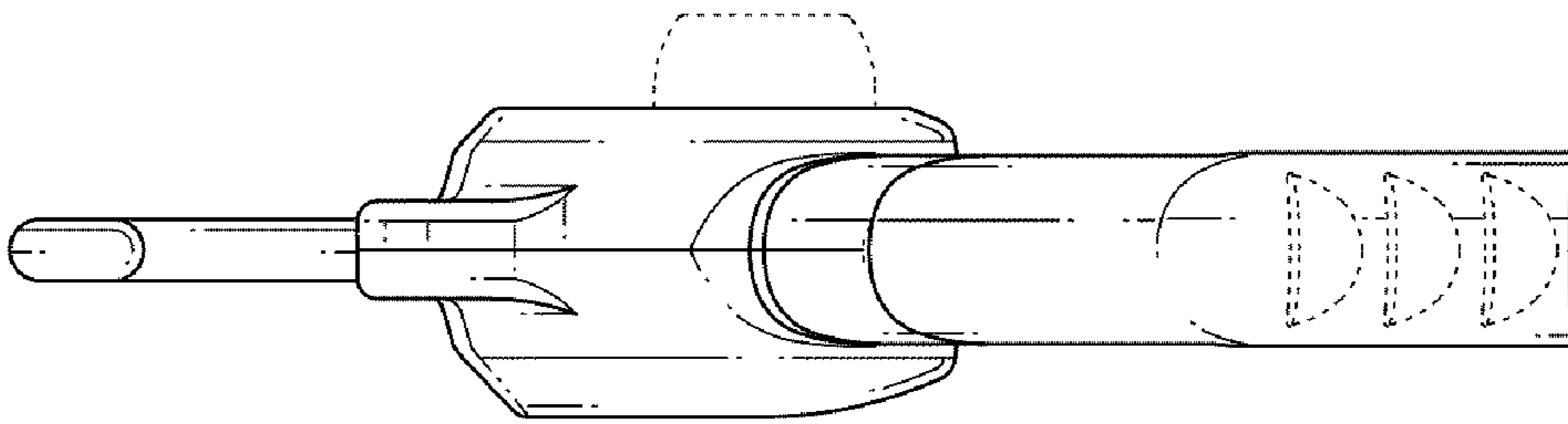


FIG. 18

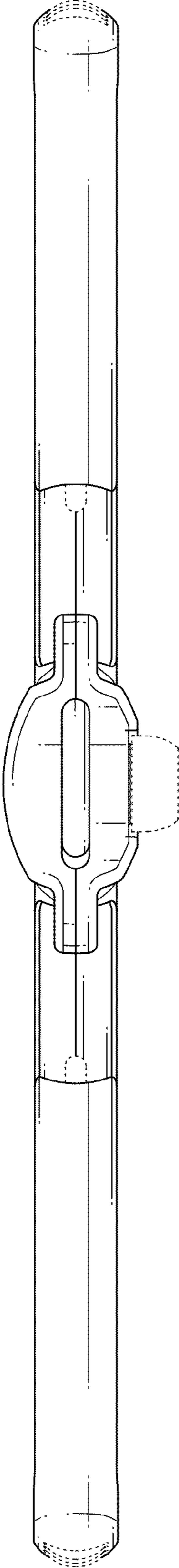


FIG. 20

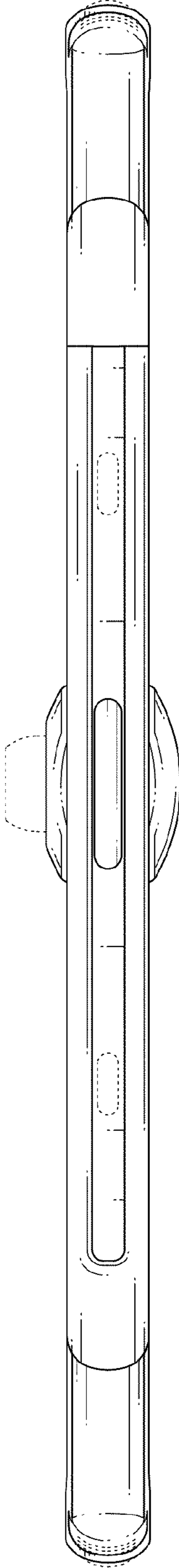


FIG. 21