



US00D652636S

(12) **United States Design Patent**
Kalinsky

(10) **Patent No.:** **US D652,636 S**

(45) **Date of Patent:** **** Jan. 24, 2012**

(54) **HANGER FOR SLIPPER**

(76) Inventor: **Stuart Kalinsky**, New York, NY (US)

(**) Term: **14 Years**

(21) Appl. No.: **29/385,071**

(22) Filed: **Feb. 8, 2011**

(51) **LOC (9) Cl.** **06-08**

(52) **U.S. Cl.** **D6/316**

(58) **Field of Classification Search** D6/315-328;
223/85-98; 248/89-93, 317, 357; 211/85.3

See application file for complete search history.

D224,866 S * 10/1972 Hammer D6/316
D264,911 S * 6/1982 Annis et al. D6/514
4,666,048 A * 5/1987 Strongosky et al. 211/170
4,809,889 A * 3/1989 Friedman 223/75

* cited by examiner

Primary Examiner — Prabhakar Deshmukh

(74) *Attorney, Agent, or Firm* — Cozen O'Connor

(57) **CLAIM**

The ornamental design for a hanger for slipper, as shown and described.

DESCRIPTION

FIG. 1 is a front elevational view of a hanger for slipper showing my new design;

FIG. 2 is a top plan view thereof;

FIG. 3 is a bottom plan view thereof;

FIG. 4 is a left side elevational view thereof;

FIG. 5 is a right side elevational view thereof; and,

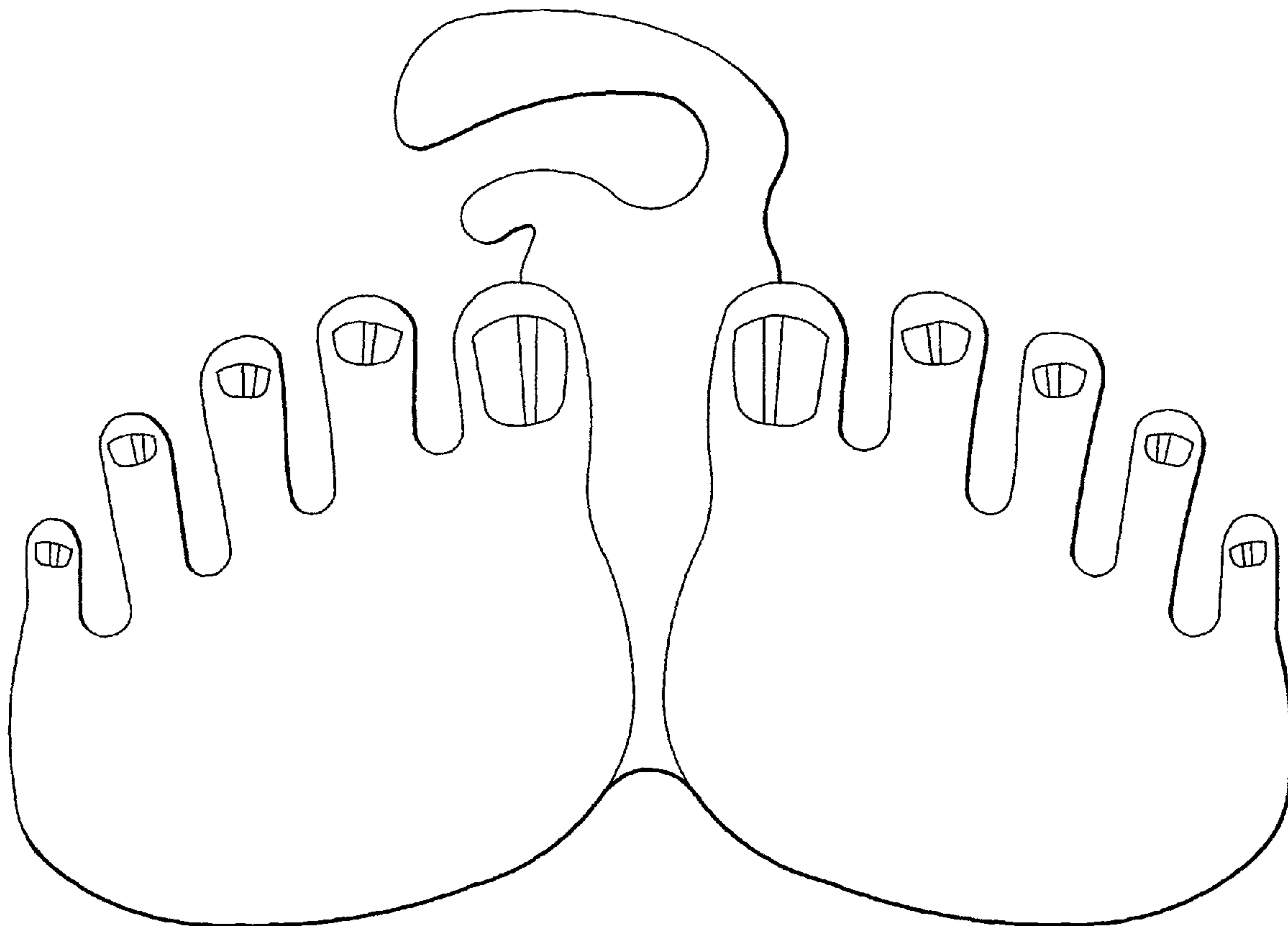
FIG. 6 is rear elevational view thereof.

1 Claim, 3 Drawing Sheets

(56) **References Cited**

U.S. PATENT DOCUMENTS

1,215,158	A *	2/1917	Isaacs	223/78
1,566,291	A *	12/1925	Tamblyn	249/30
2,453,183	A *	11/1948	Bersudsky	223/77
D161,400	S *	12/1950	Weiss	D6/316
D176,821	S *	1/1956	Ross	D6/316
D191,855	S *	11/1961	Leopoldi	D6/316
D195,069	S *	4/1963	Zuckerman	D6/316
D218,847	S *	9/1970	Specht	D32/59



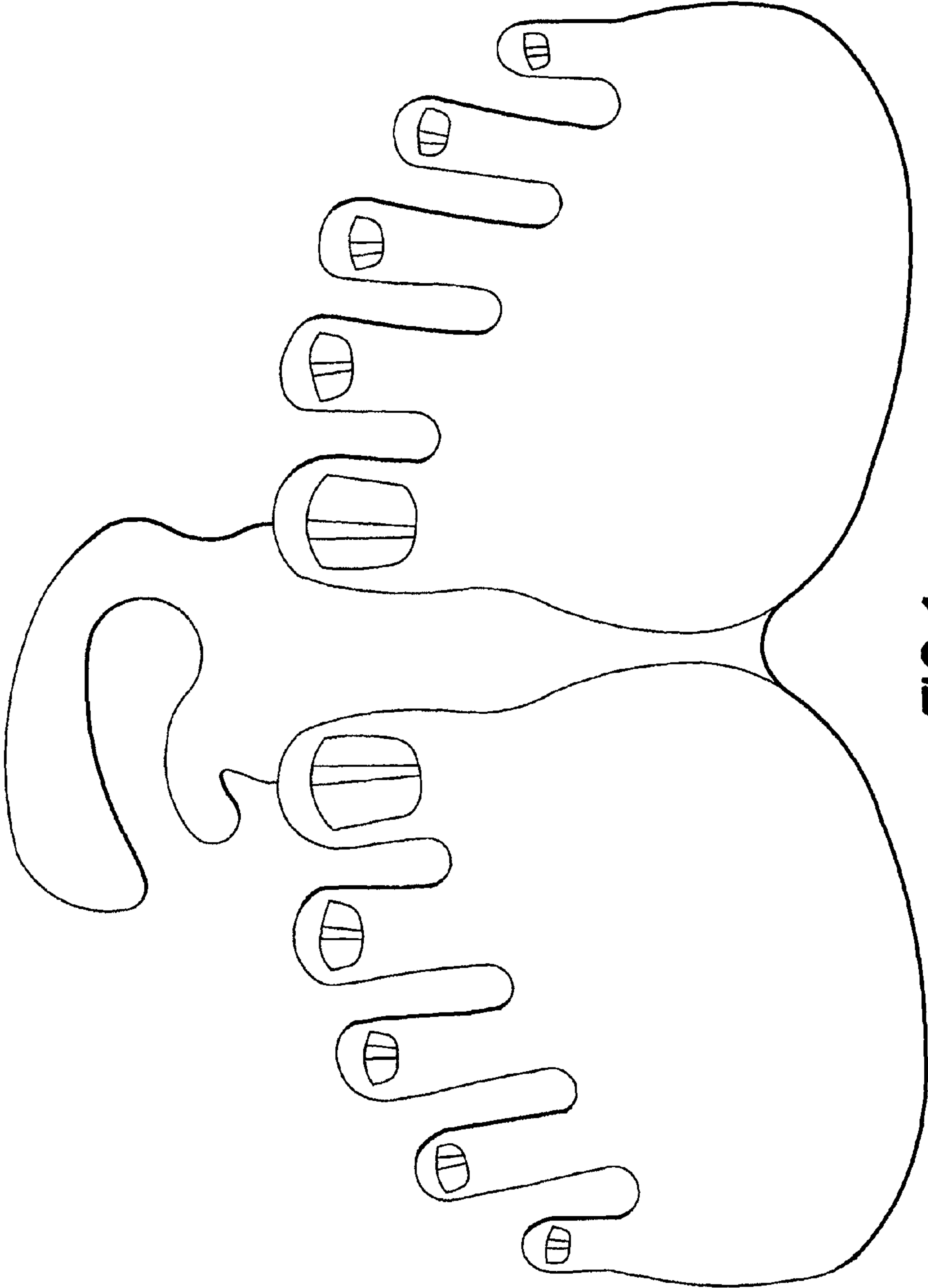


FIG. 1

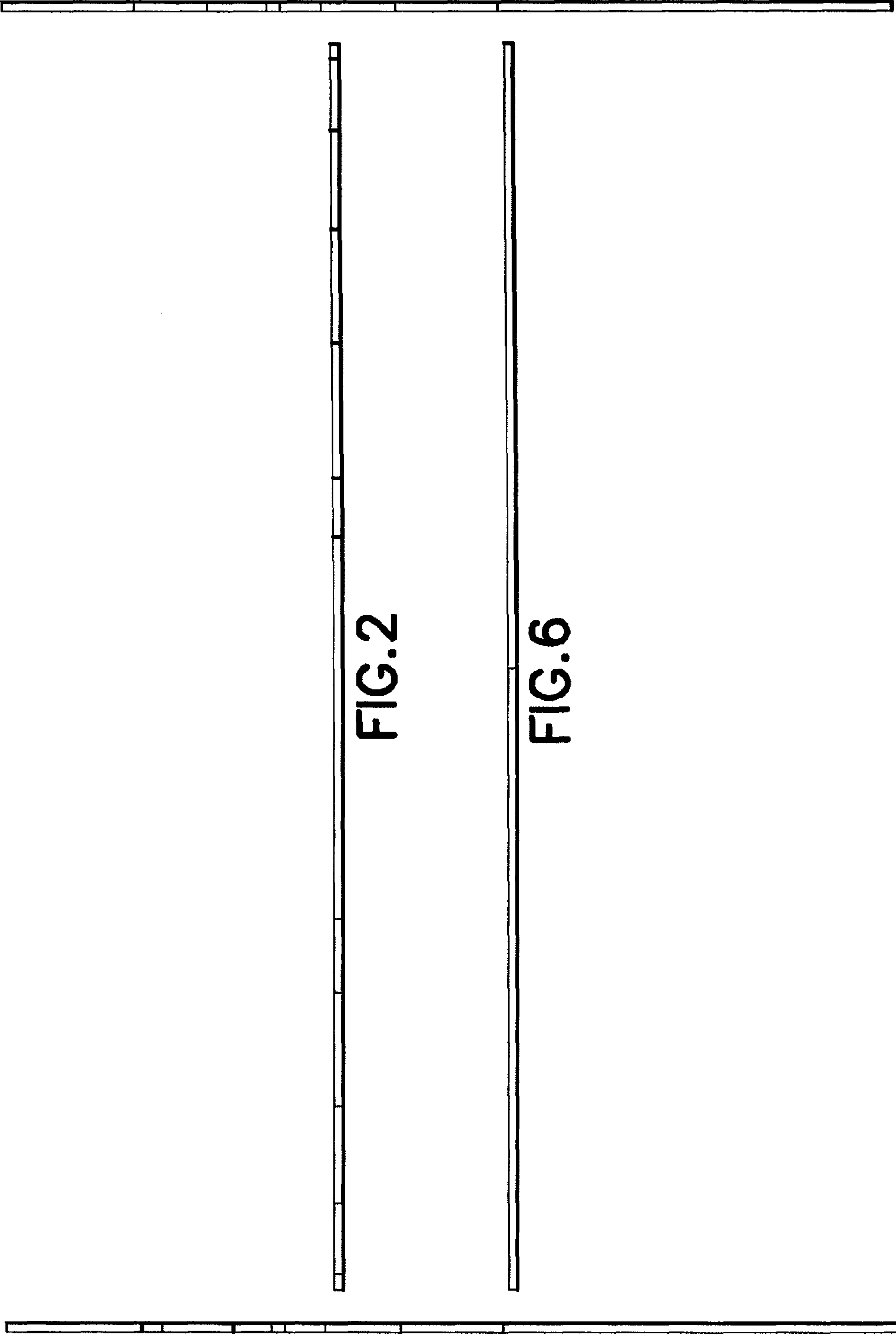


FIG. 2

FIG. 6

FIG. 4

FIG. 3

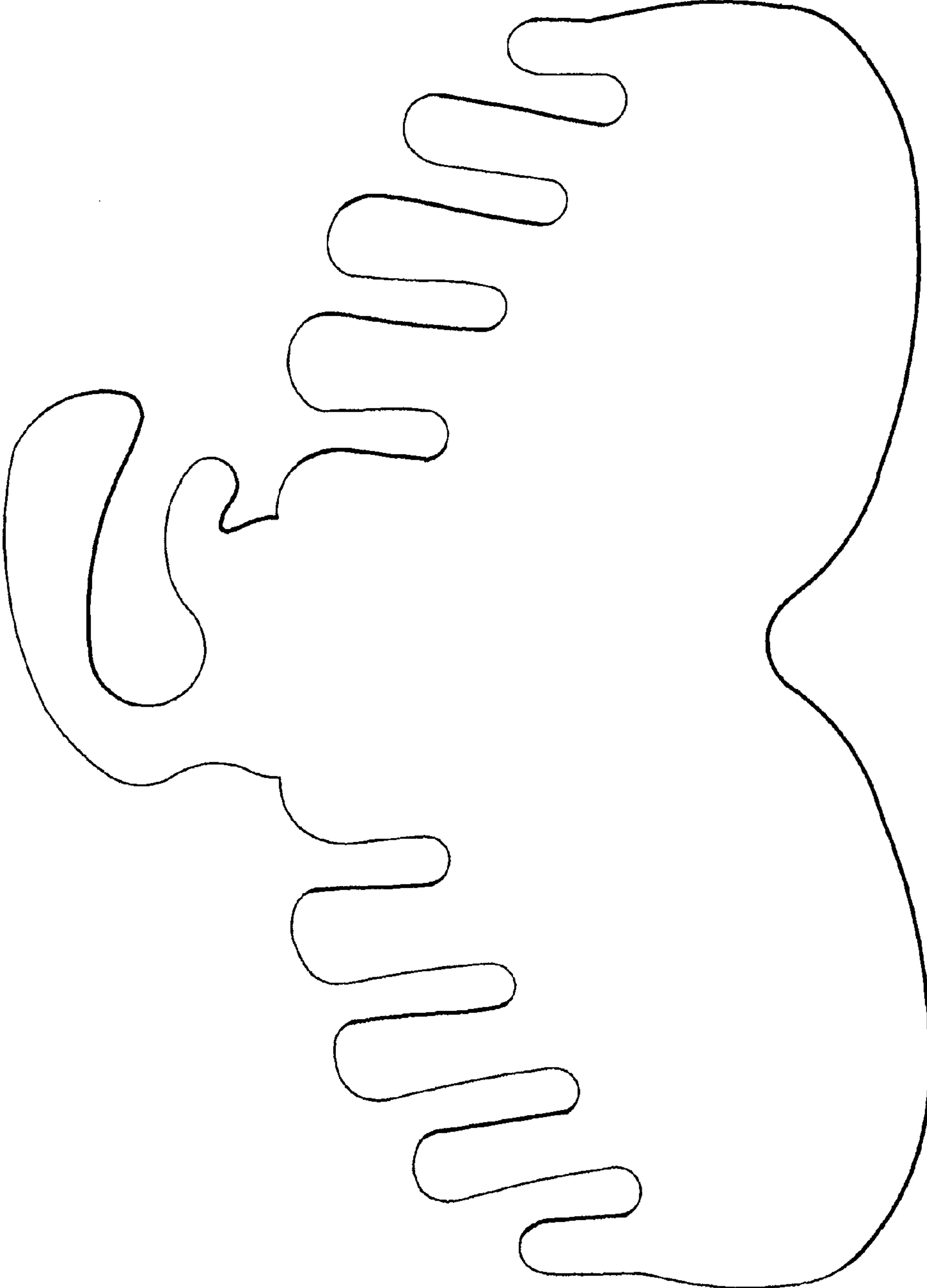


FIG.5