



US00D652635S

(12) **United States Design Patent**
Orthlieb et al.

(10) **Patent No.:** **US D652,635 S**

(45) **Date of Patent:** **** Jan. 24, 2012**

(54) **PICTURE FRAME**

(75) Inventors: **Jean-Christophe Orthlieb**, Paris (FR);
Juan Pablo Naranjo, Paris (FR)

(73) Assignee: **Swarovski Aktiengesellschaft**, Triesen
(LI)

(**) Term: **14 Years**

(21) Appl. No.: **29/388,954**

(22) Filed: **Apr. 5, 2011**

(51) **LOC (9) Cl.** **06-07**

(52) **U.S. Cl.** **D6/310**

(58) **Field of Classification Search** D6/300-314,
D6/444; 40/700; 434/408; D19/52
See application file for complete search history.

(56) **References Cited**

U.S. PATENT DOCUMENTS

7,399,184	B2 *	7/2008	Hester et al.	434/408
D587,469	S *	3/2009	Lin	D6/308
D627,822	S *	11/2010	Ho et al.	D19/52

* cited by examiner

Primary Examiner — Philip S Hyder

Assistant Examiner — Sydney Buffalow

(74) *Attorney, Agent, or Firm* — Wenderoth, Lind & Ponack,
L.L.P.

(57) **CLAIM**

The ornamental design for a picture frame, as shown and described.

DESCRIPTION

FIG. 1 is a bottom view of the invention;
FIG. 2 is a left view of the invention;
FIG. 3 is a right view of the invention;
FIG. 4 is a front view of the invention;
FIG. 5 is a back view of the invention;
FIG. 6 is a perspective view of the invention; and,
FIG. 7 is a top view of the invention.

1 Claim, 2 Drawing Sheets





Fig. 1

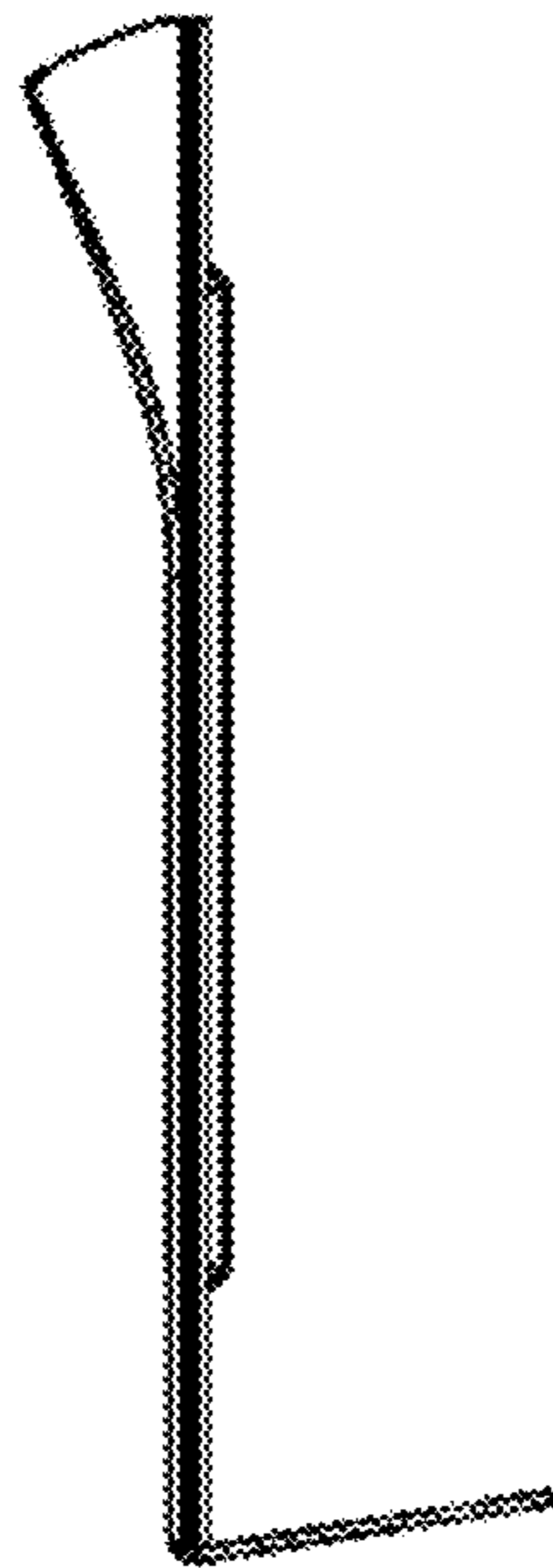


Fig. 2

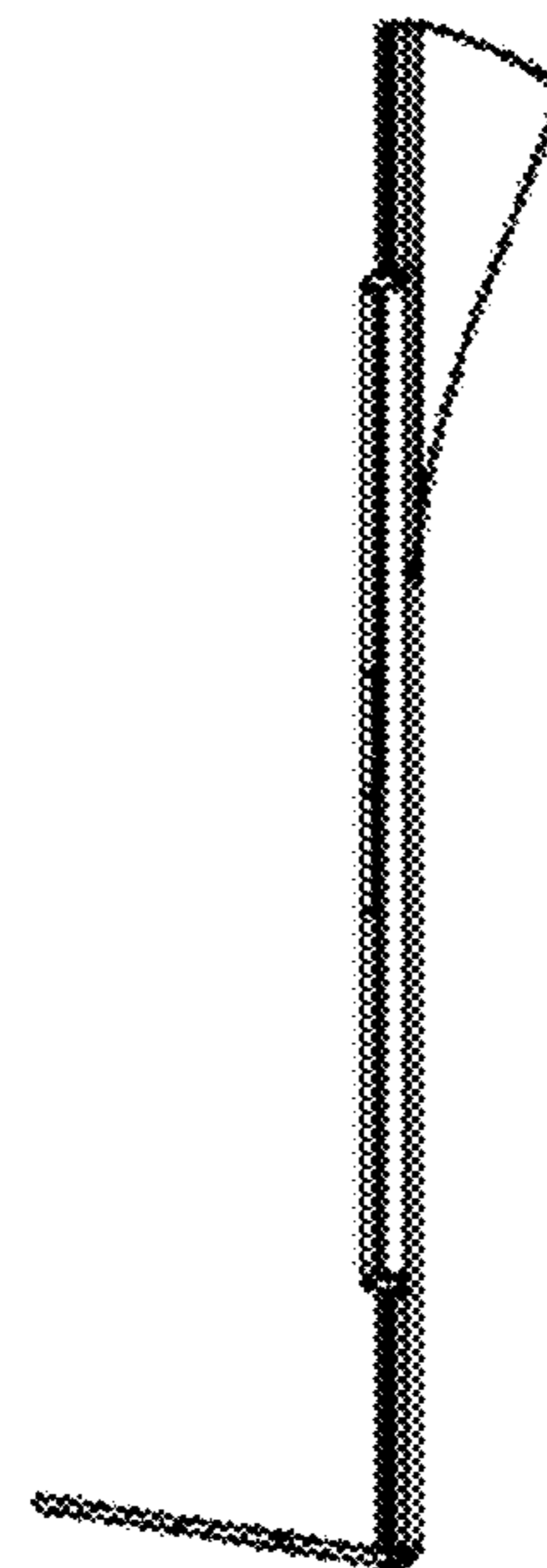


Fig. 3

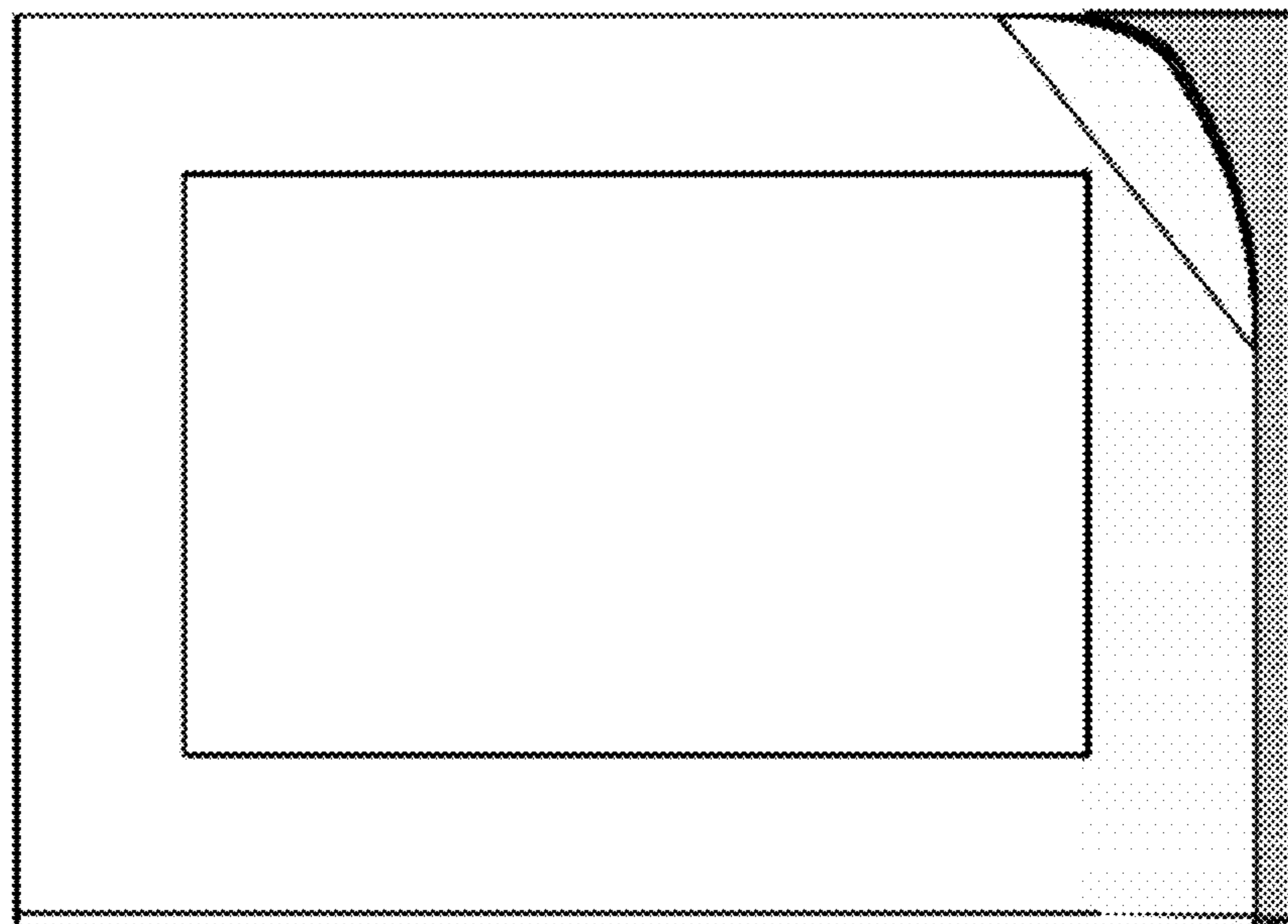


Fig. 4

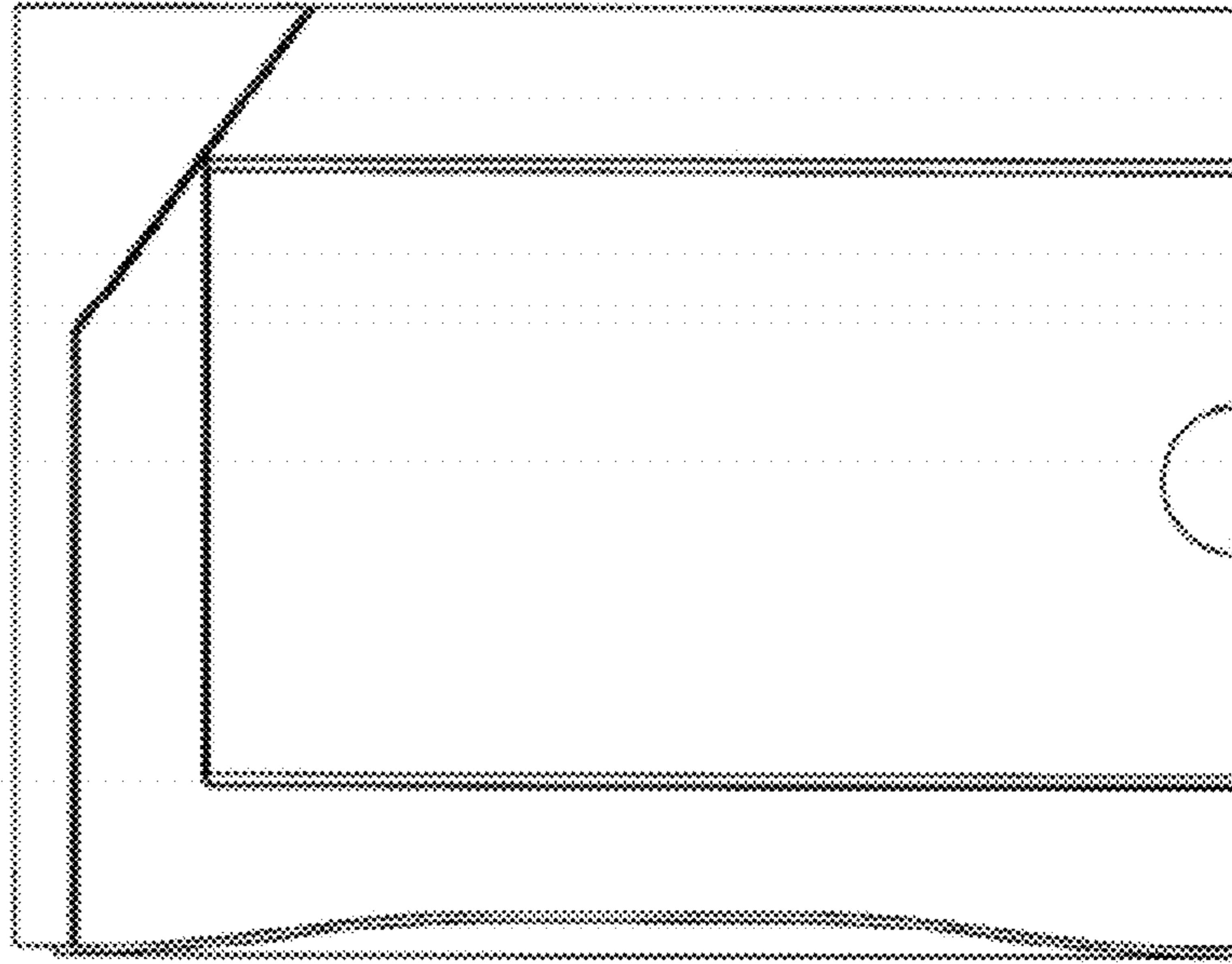


Fig. 5

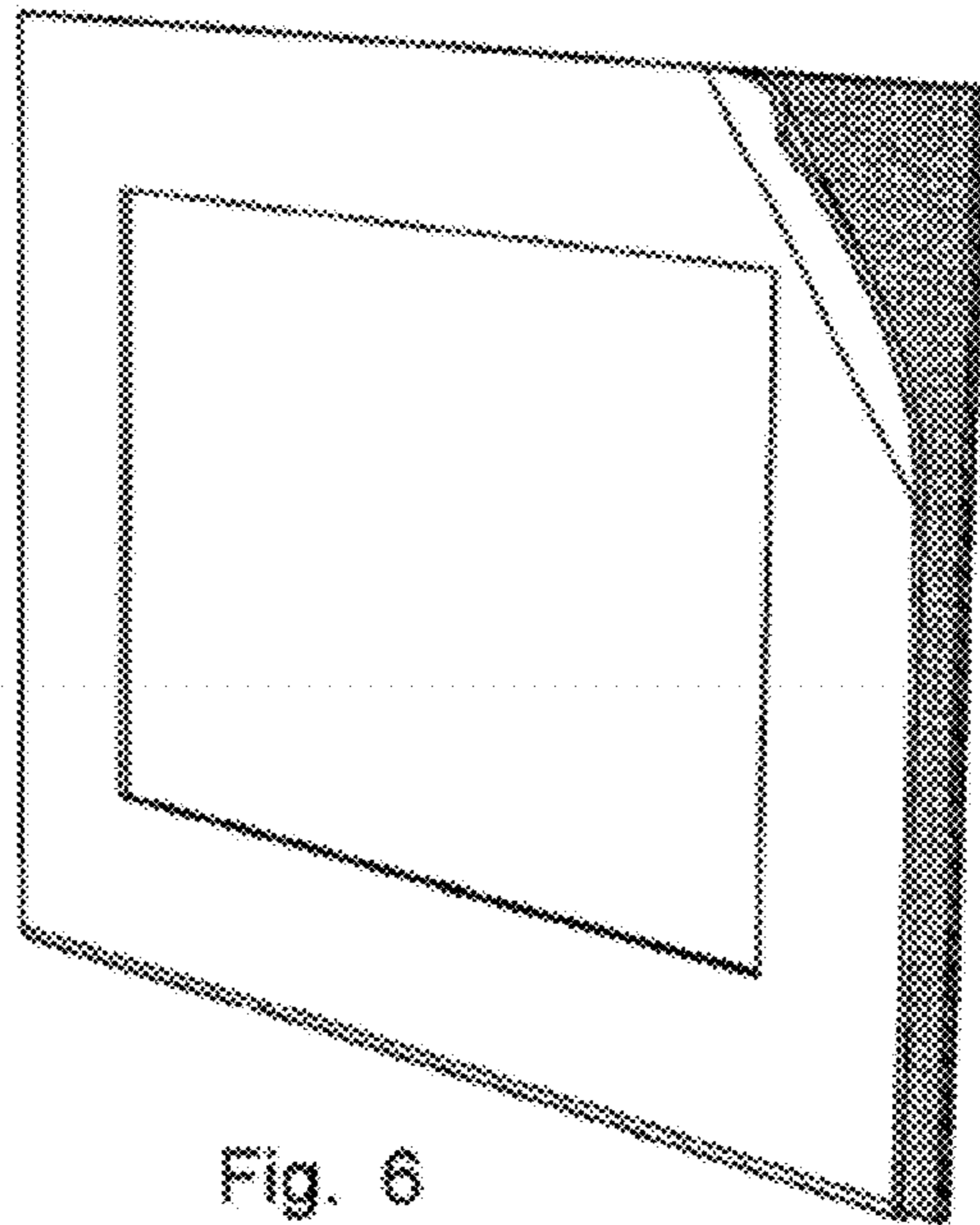


Fig. 6

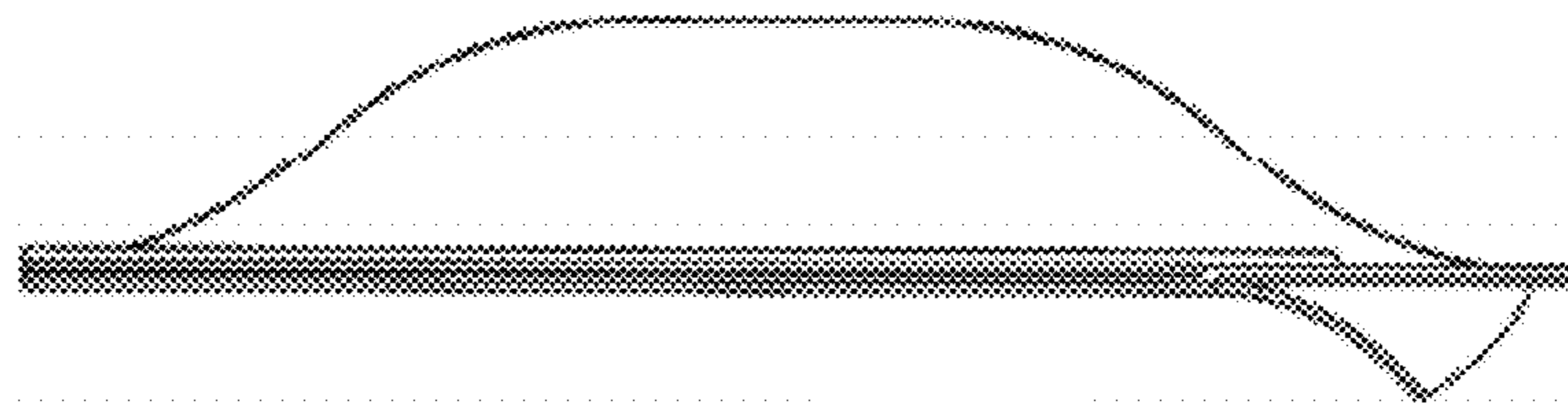


Fig. 7