



US00D652629S

(12) **United States Design Patent**  
**Zemel**

(10) **Patent No.:** **US D652,629 S**  
(45) **Date of Patent:** **\*\* Jan. 24, 2012**

- (54) **TRI-MODE GRILL BRUSH**
- (75) Inventor: **Marc Zemel**, Melville, NY (US)
- (73) Assignee: **Mr. BAR-B-Q-, Inc.**, Old Bethpage, NY (US)
- (\*\*) Term: **14 Years**
- (21) Appl. No.: **29/381,822**
- (22) Filed: **Dec. 23, 2010**

- D358,491 S 5/1995 Hoagland
- D366,962 S 2/1996 Whitaker
- D400,328 S 10/1998 Zemel
- D403,165 S 12/1998 Ferrante et al.
- D429,889 S 8/2000 Fielding
- 6,438,784 B1 8/2002 Yu
- D468,107 S 1/2003 Shen
- D589,705 S 4/2009 Zemel
- D601,347 S 10/2009 Wales

**Related U.S. Application Data**

- (63) Continuation-in-part of application No. 29/376,771, filed on Oct. 12, 2010, now Pat. No. Des. 632,088.
  - (51) **LOC (9) Cl.** ..... **04-01**
  - (52) **U.S. Cl.** ..... **D4/131; D4/120**
  - (58) **Field of Classification Search** ..... D4/119, D4/120, 131, 134, 135; D32/42; 15/106, 15/114, 118, 159.1, 160, 206
- See application file for complete search history.

**References Cited**

**U.S. PATENT DOCUMENTS**

- |             |         |                   |
|-------------|---------|-------------------|
| 201,688 A   | 3/1878  | Leiner            |
| 2,186,832 A | 1/1940  | Hertzberg         |
| 3,629,895 A | 12/1971 | Colgan            |
| 4,056,863 A | 11/1977 | Gunjian           |
| 4,146,943 A | 4/1979  | Wertheimer et al. |
| 4,730,949 A | 3/1988  | Wilson            |
| D355,529 S  | 2/1995  | Tsai              |

**FOREIGN PATENT DOCUMENTS**

JP 10113229 5/1998

*Primary Examiner* — Melanie H Tung  
*Assistant Examiner* — Lavone D Tabor

(74) *Attorney, Agent, or Firm* — Carter, DeLuca, Farrell & Schmidt LLP

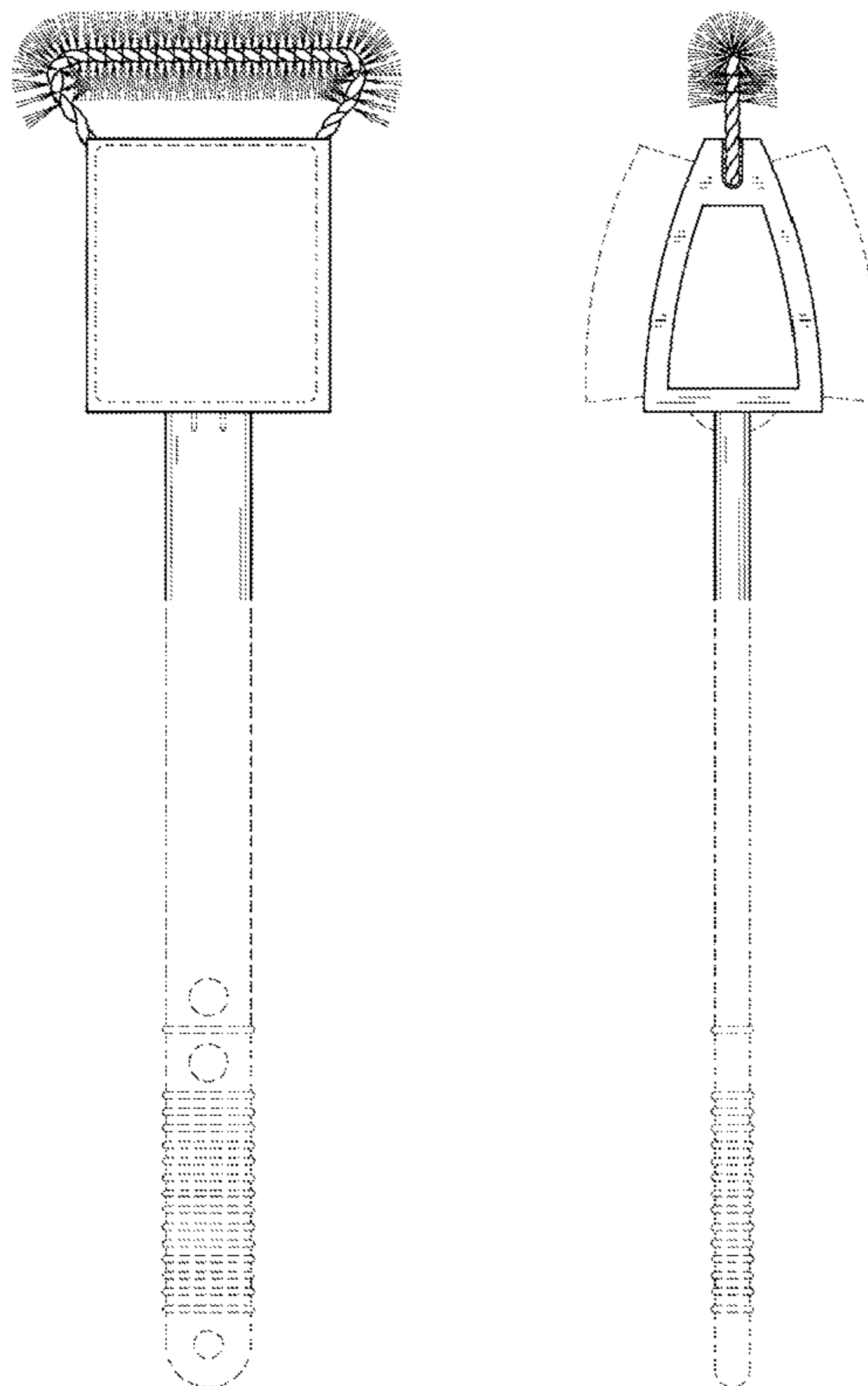
**CLAIM**

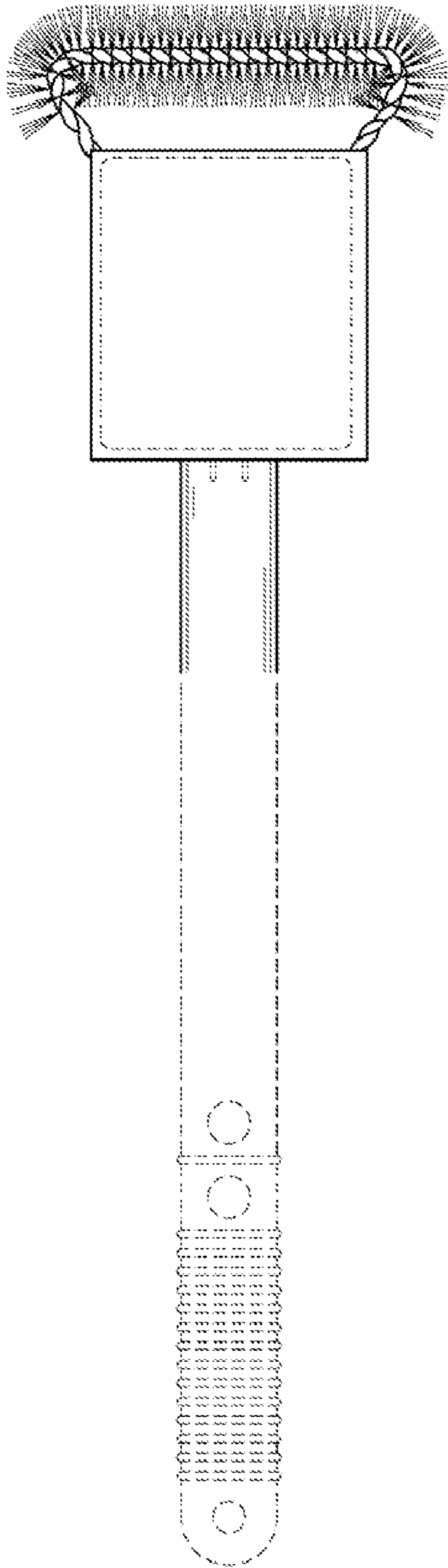
(57) The ornamental design for a tri-mode grill brush, as shown and described.

**DESCRIPTION**

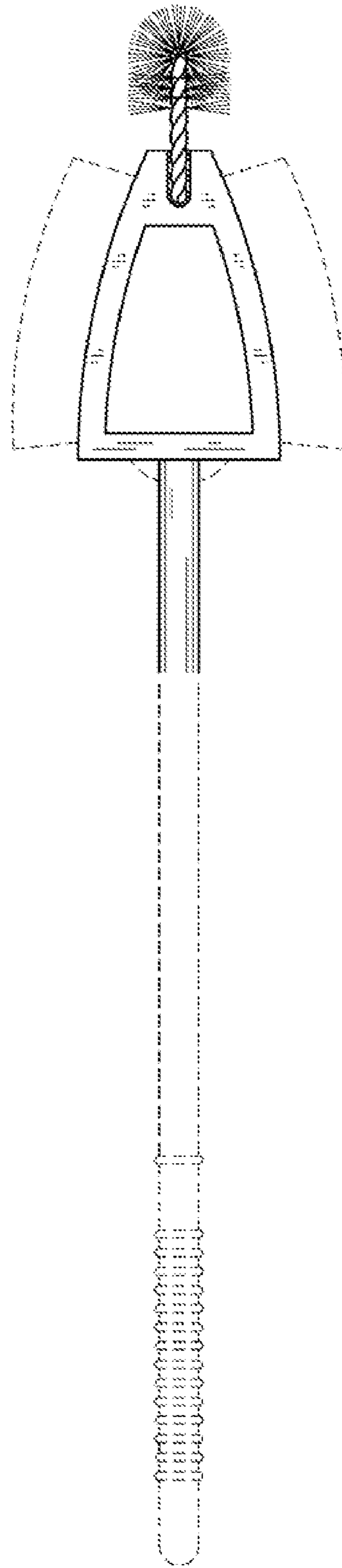
FIG. 1 is a front elevational view of a tri-mode grill brush showing my new design, the rear elevational view being a mirror image thereof;  
FIG. 2 is a side elevational view thereof, the opposite side being a mirror image thereof;  
FIG. 3 is a top plan view thereof; and,  
FIG. 4 is a bottom plan view thereof.  
The bristles are partially shown for ease of illustration and to provide greater visibility of the wire support feature.

**1 Claim, 2 Drawing Sheets**

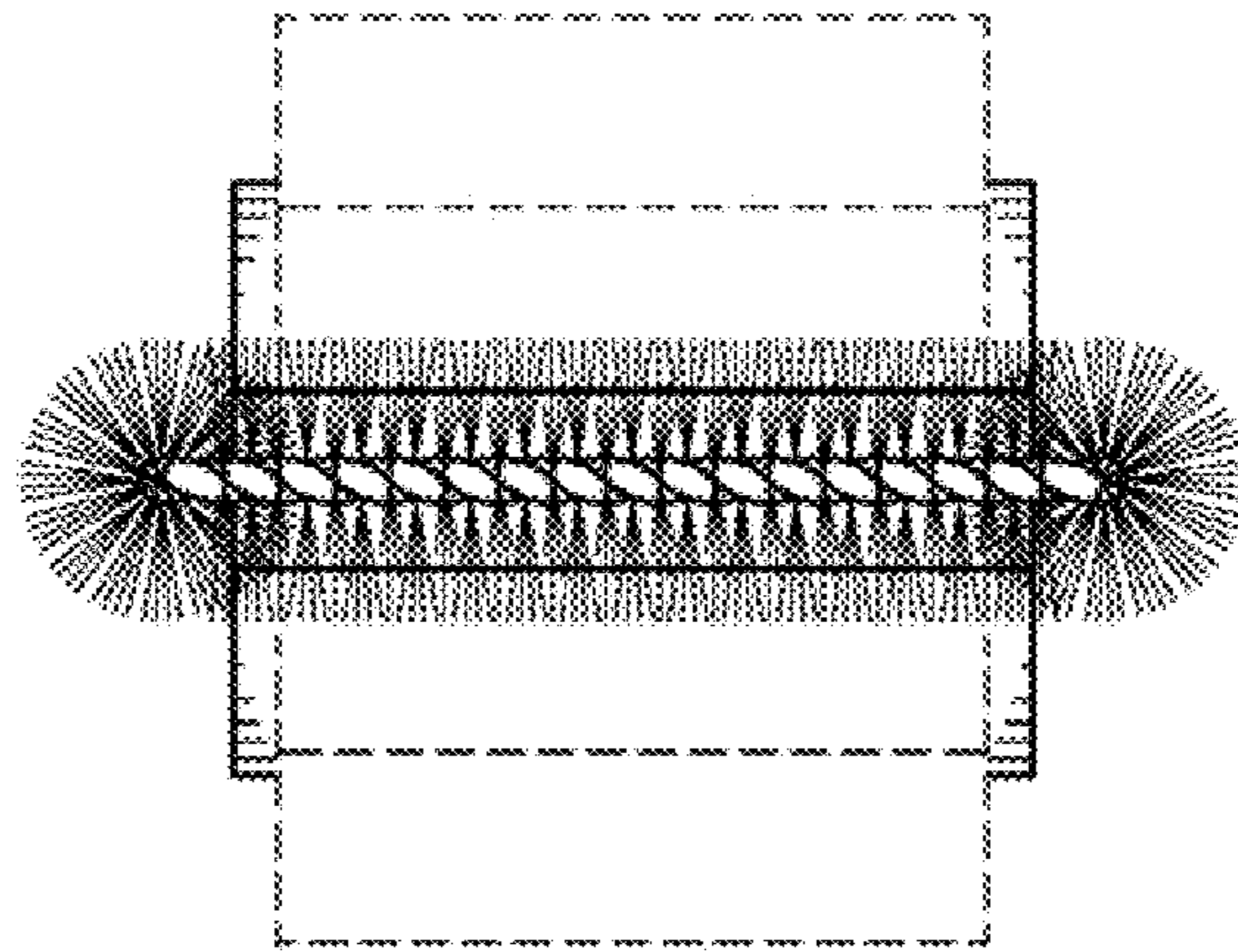




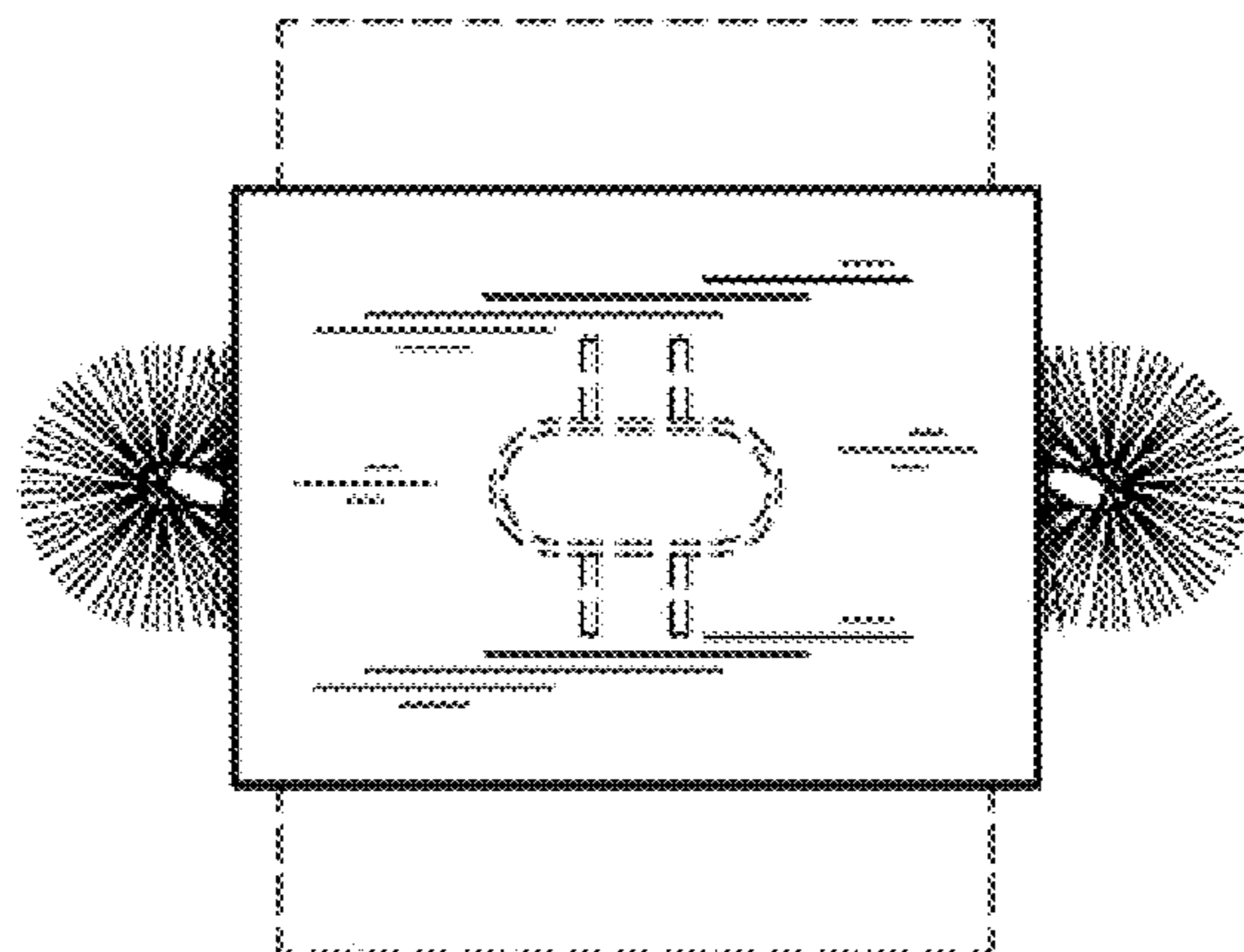
**Fig. 1**



**Fig. 2**



*Fig. 3*



*Fig. 4*