



US00D652625S

(12) **United States Design Patent**
Smith Oshrin et al.

(10) **Patent No.:** **US D652,625 S**
(45) **Date of Patent:** **** Jan. 24, 2012**

(54) **HANDBAG ORNAMENT**

(74) *Attorney, Agent, or Firm* — SNR Denton US LLP

(75) Inventors: **Michelle Smith Oshrin**, New York, NY (US); **Kyeong Min Cha**, Jersey City, NJ (US)

(57) **CLAIM**
The ornamental design for a handbag ornament, as shown and described.

(73) Assignee: **Milly LLC**, New York, NY (US)

DESCRIPTION

(**) Term: **14 Years**

(21) Appl. No.: **29/383,337**

(22) Filed: **Jan. 14, 2011**

(51) **LOC (9) Cl.** **03-01**

(52) **U.S. Cl.** **D3/318**

(58) **Field of Classification Search** D3/232–233,
D3/240–246, 318; 150/100, 103–110, 113–114,
150/118–119

See application file for complete search history.

FIG. 1 is an illustration of a perspective view of a handbag ornament that is suspended from a handbag;
FIG. 2 is an illustration of a front view of the handbag ornament that is suspended from the handbag;
FIG. 3 is an illustration of a rear view of the handbag ornament that is suspended from the handbag;
FIG. 4 is an illustration of a right-side view of the handbag ornament that is suspended from the handbag;
FIG. 5 is an illustration of a left-side view of the handbag ornament that is suspended from the handbag;
FIG. 6 is an illustration of a top view of the handbag ornament that is suspended from the handbag; and,
FIG. 7 is an illustration of a bottom view of the handbag ornament that is suspended from the handbag.
The broken lines showing a handbag are for the purposes of illustrating environment and form no part of the claimed design.

(56) **References Cited**

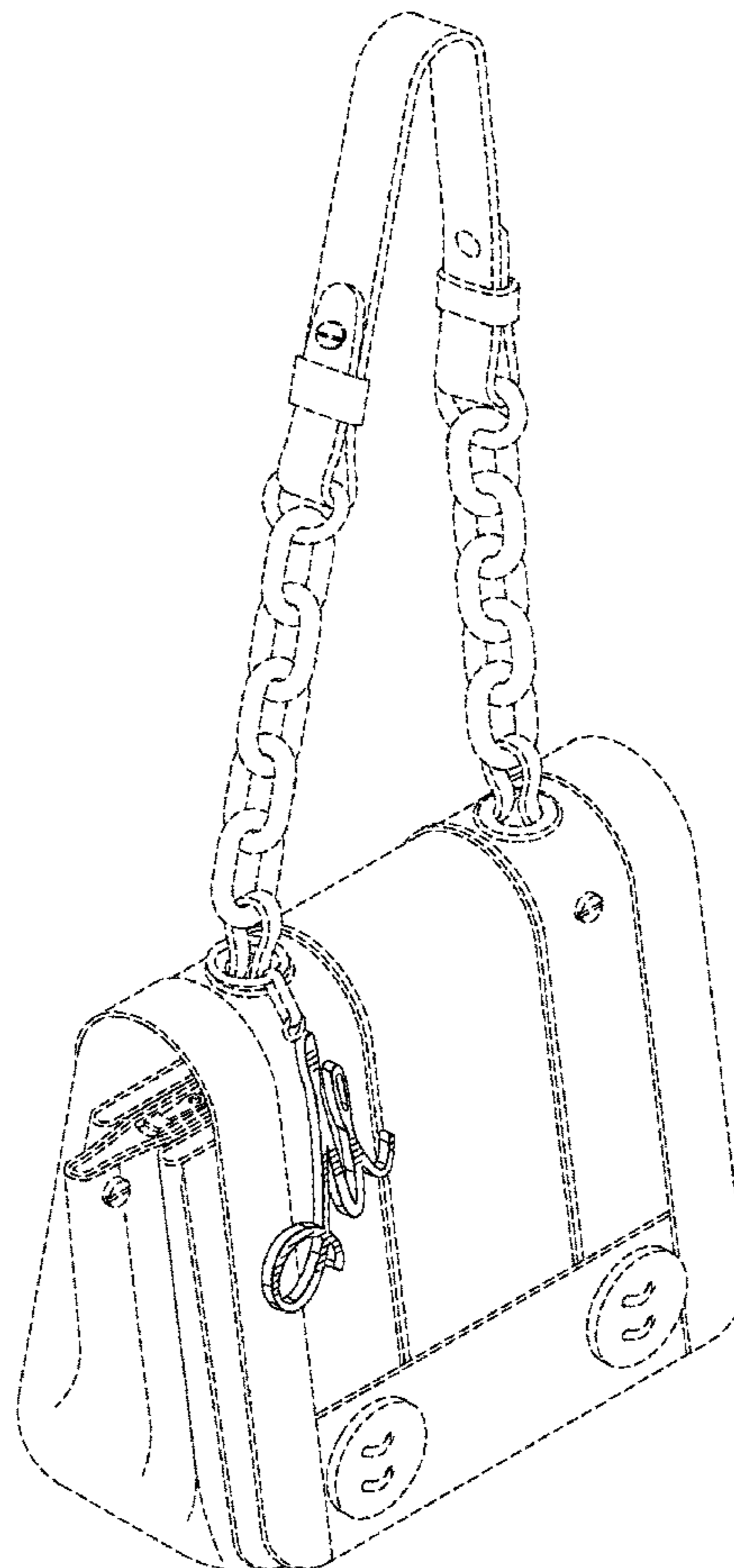
U.S. PATENT DOCUMENTS

D574,611 S * 8/2008 Davies et al. D3/232

* cited by examiner

Primary Examiner — Holly Baynham

1 Claim, 5 Drawing Sheets



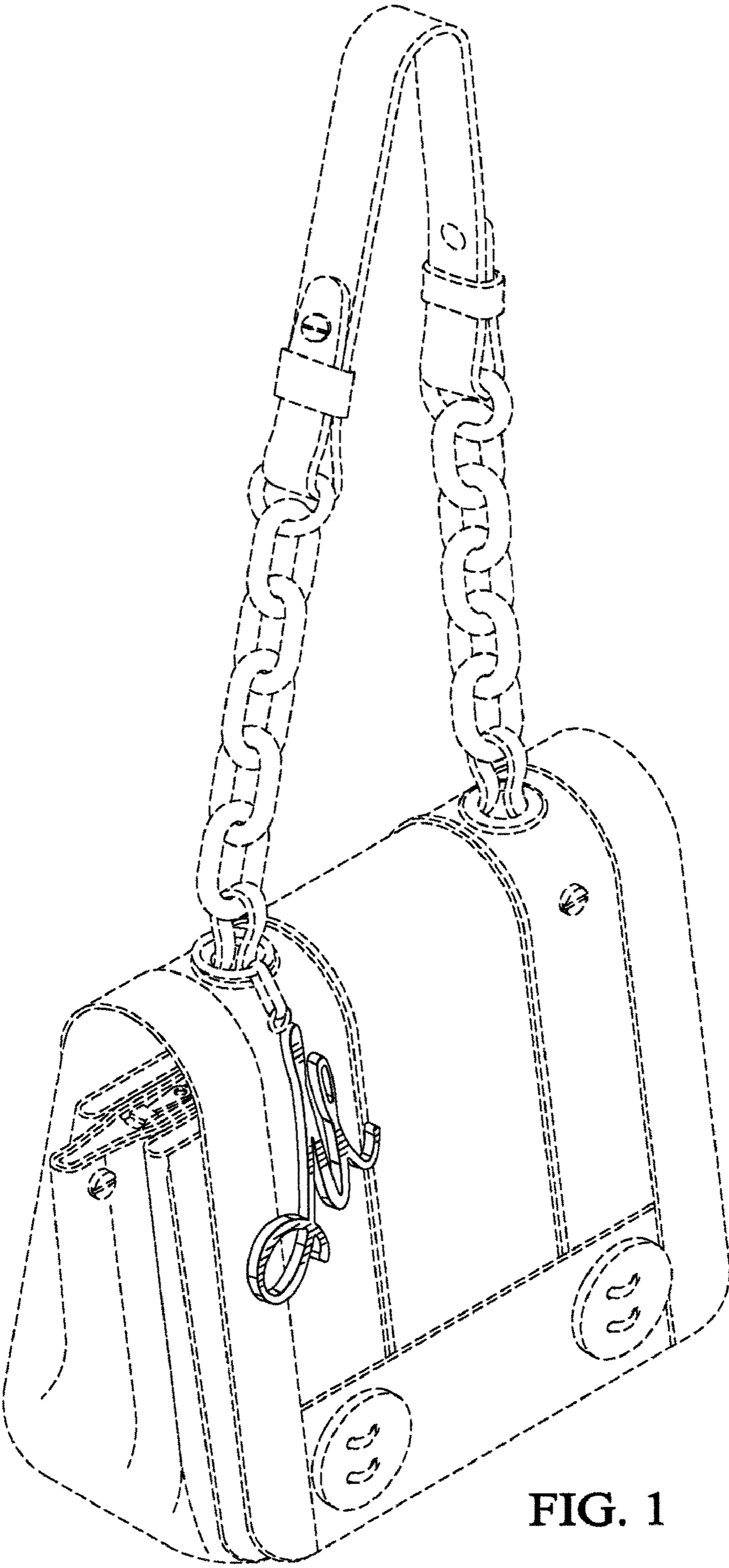


FIG. 1

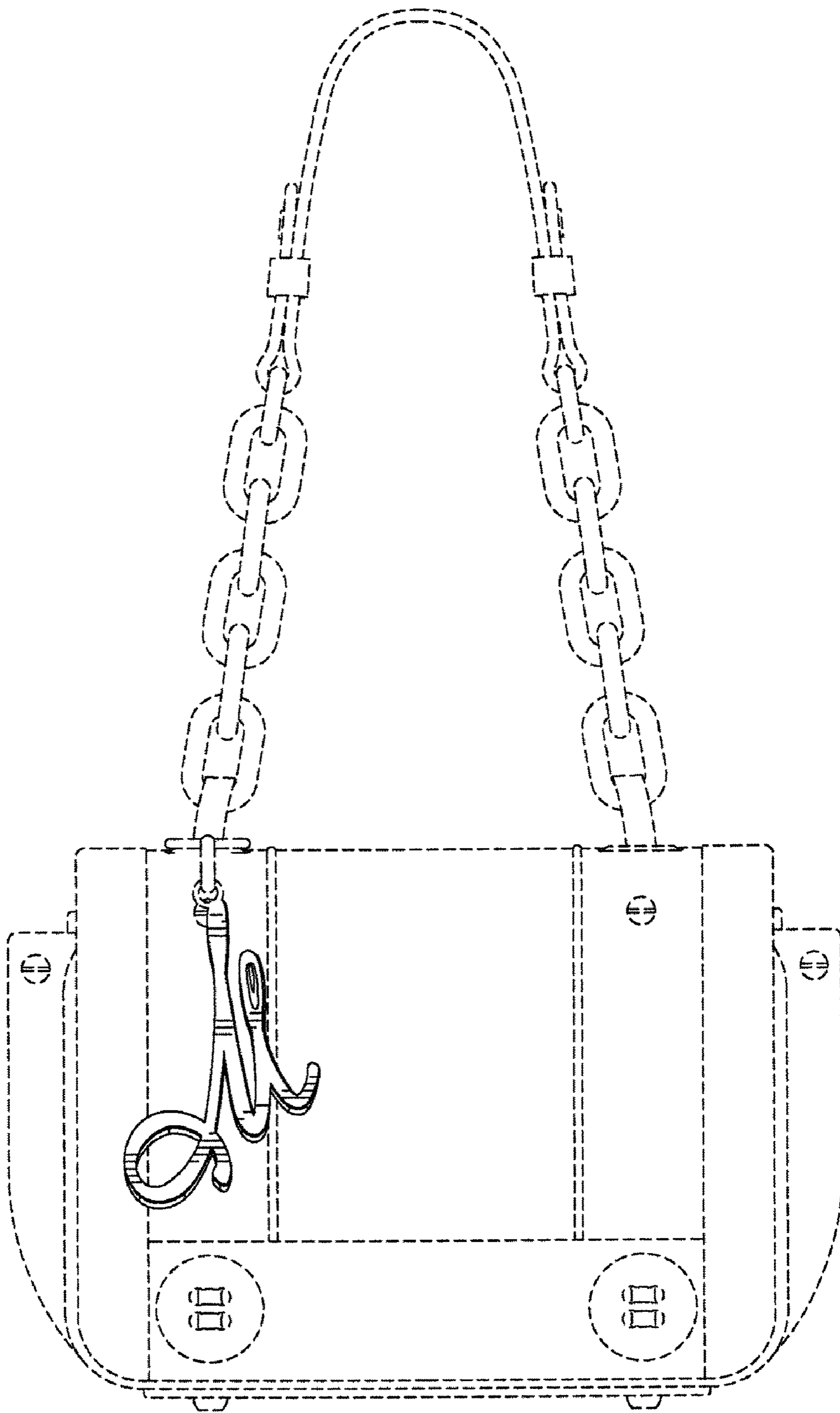


FIG. 2

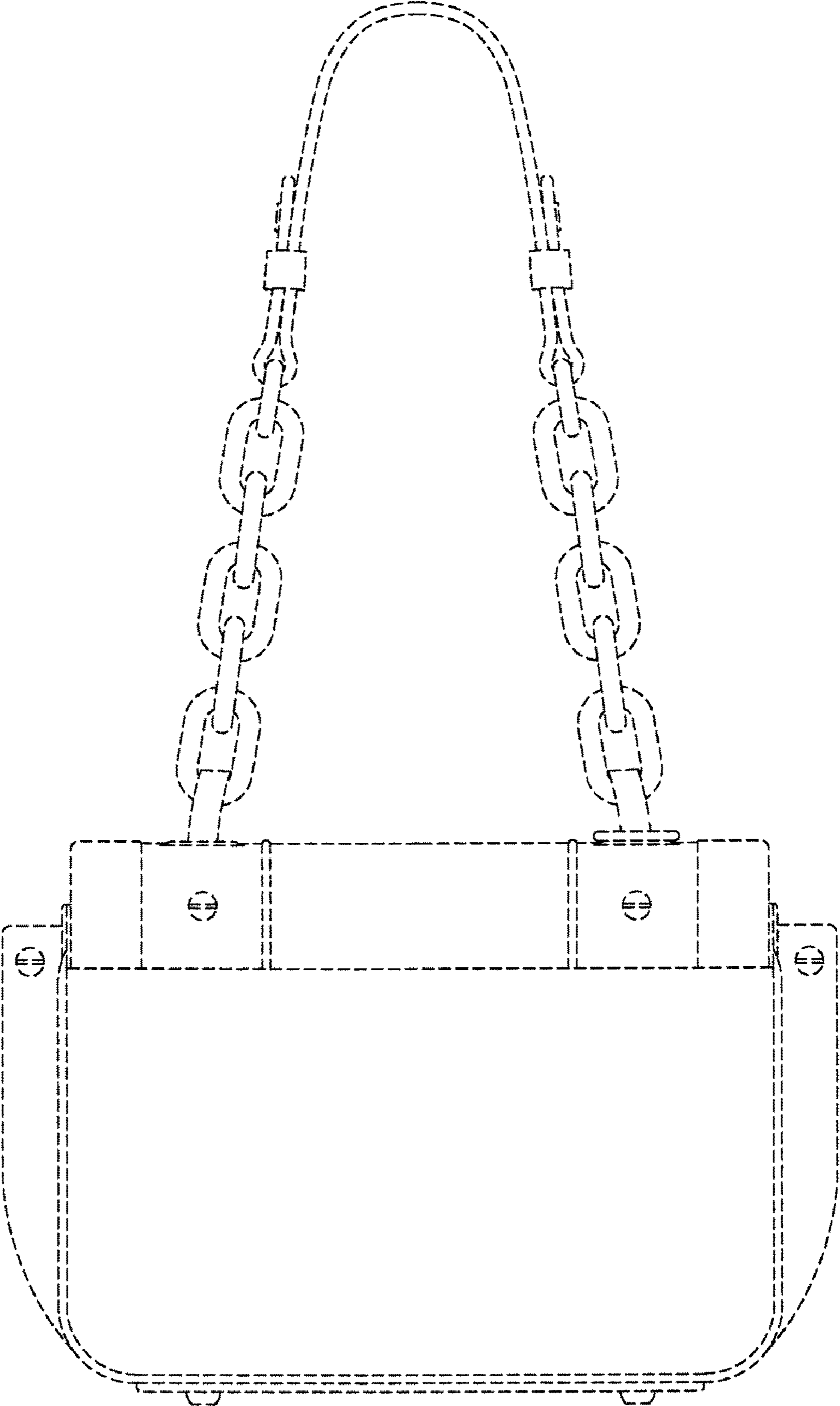


FIG. 3

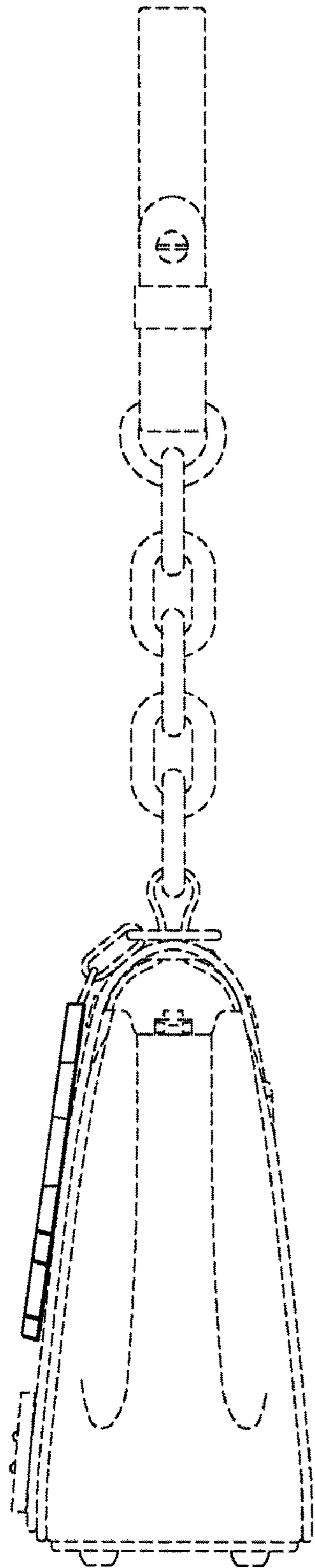


FIG. 4

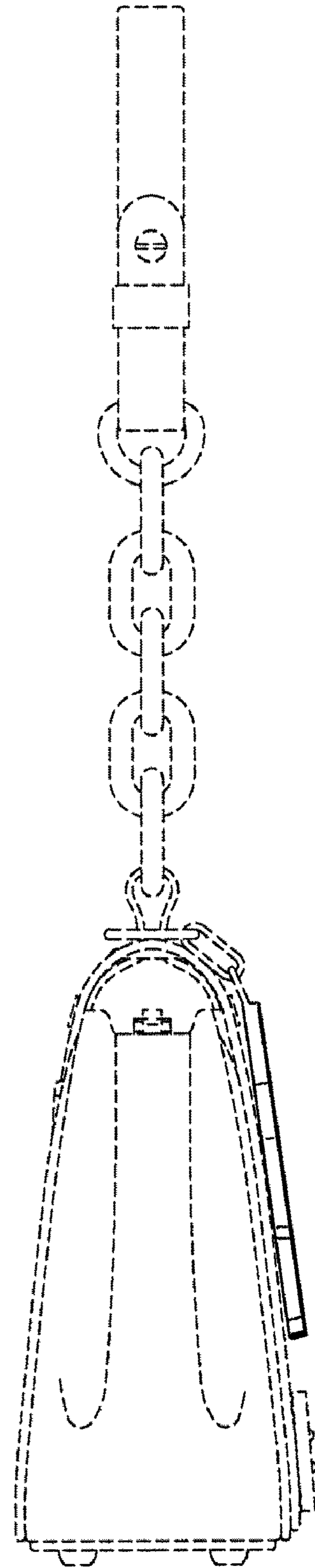


FIG. 5

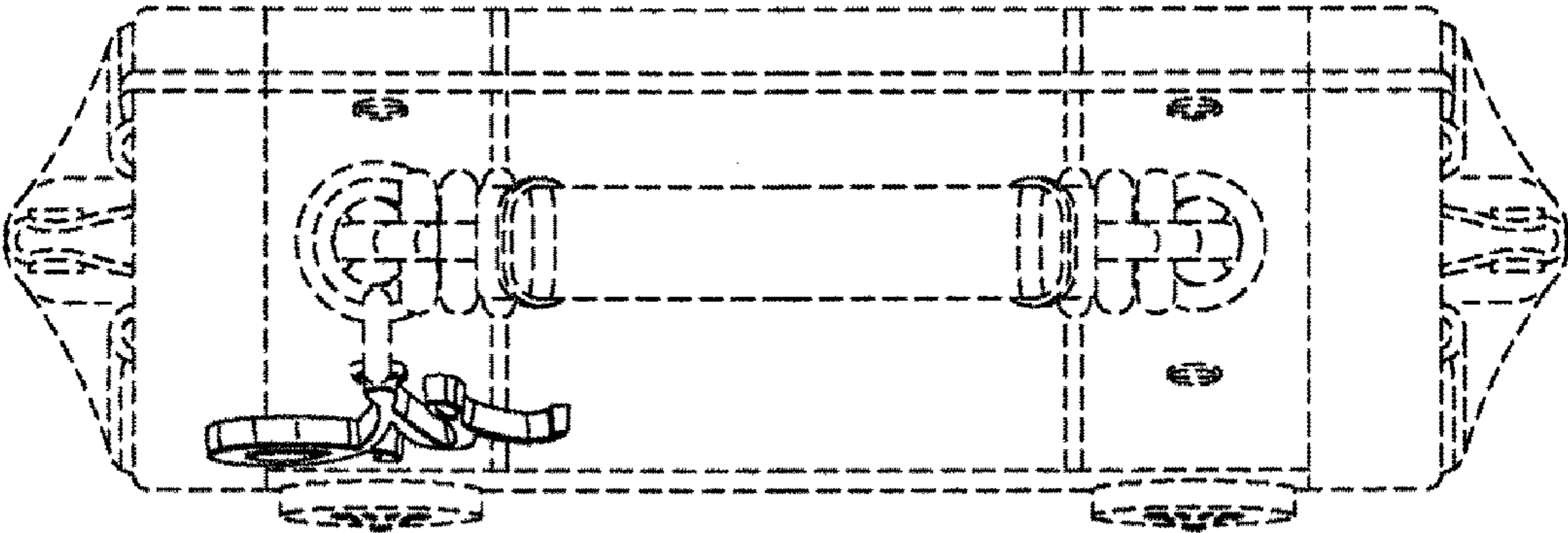


FIG. 6

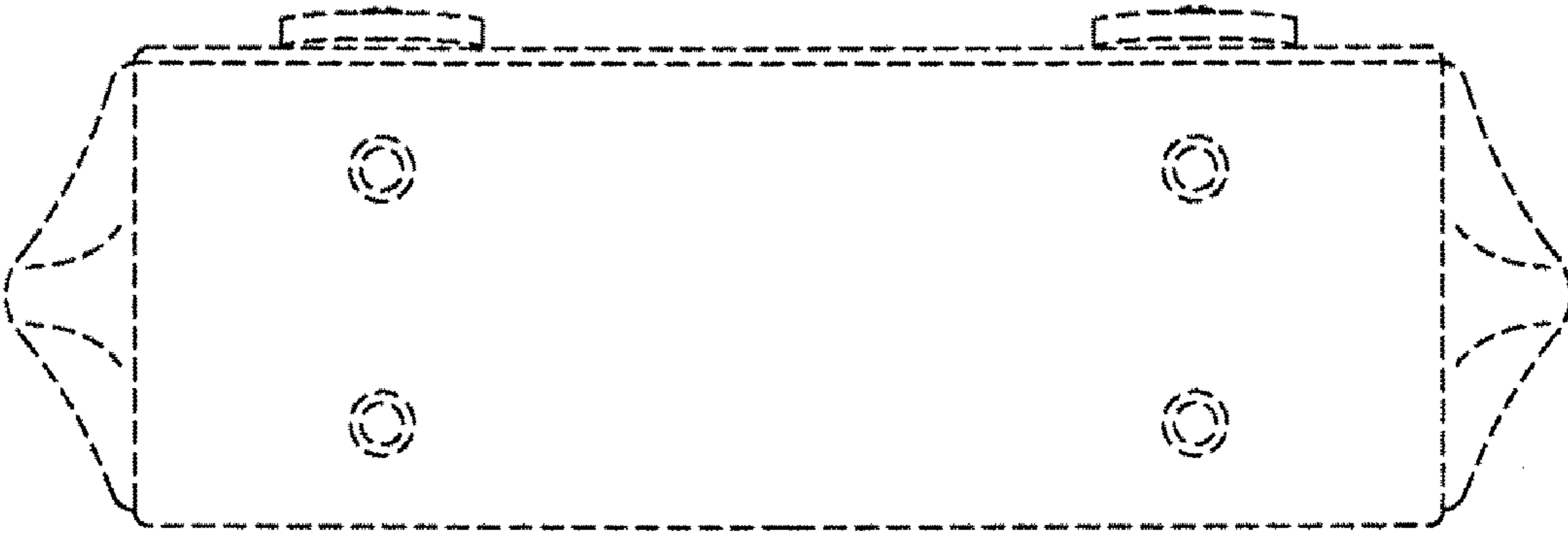


FIG. 7