



US00D652613S

(12) **United States Design Patent**
Raysse

(10) **Patent No.:** **US D652,613 S**
(45) **Date of Patent:** **** Jan. 24, 2012**

- (54) **SHOE BOTTOM**
- (75) Inventor: **David Raysse**, Los Angeles, CA (US)
- (73) Assignee: **SKECHERS U.S.A., Inc. II**, Manhattan Beach, CA (US)
- (**) Term: **14 Years**
- (21) Appl. No.: **29/404,681**
- (22) Filed: **Oct. 24, 2011**

Related U.S. Application Data

- (62) Division of application No. 29/397,081, filed on Jul. 11, 2011.
- (51) **LOC (9) Cl.** **02-04**
- (52) **U.S. Cl.** **D2/954; D2/951**
- (58) **Field of Classification Search** D2/902, D2/906, 908, 916, 918, 925, 946-962, 977; 36/3 B, 22 R, 24.5, 25 R, 28, 32 R, 34 R, 36/59 C, 67 A, 103
See application file for complete search history.

References Cited

U.S. PATENT DOCUMENTS

2,383,117 A	8/1945	Fellman	
D166,742 S	5/1952	Fellman	
3,568,340 A *	3/1971	Gardner	36/32 R
4,000,566 A	1/1977	Famolare, Jr.	
D278,383 S	4/1985	Michaeli	
D278,852 S	5/1985	Michaeli	
D288,861 S *	3/1987	Vaccaro	D2/918
D303,317 S	9/1989	Nakano	
D305,578 S	1/1990	Charette et al.	
D307,975 S	5/1990	Kittle et al.	
D388,944 S	1/1998	Avar	
D390,347 S	2/1998	Bathum	
D392,438 S	3/1998	Backus	
D392,447 S	3/1998	Backus	
D392,448 S	3/1998	Backus	
D395,156 S	6/1998	Adam	
D396,139 S	7/1998	Dietrich	

D417,945 S *	12/1999	Merceron	D2/952
D424,792 S *	5/2000	Briand	D2/955
D426,053 S	6/2000	Santa	
D426,946 S	6/2000	Debiase	
D432,292 S *	10/2000	Kim	D2/902
D432,293 S	10/2000	Clegg et al.	
D432,761 S *	10/2000	Patterson et al.	D2/951
D432,764 S	10/2000	Clegg et al.	
D440,032 S	4/2001	Madden	
D440,033 S	4/2001	Neely	
D466,682 S	12/2002	Ortuno Santa	
D476,468 S	7/2003	Reynolds et al.	
D479,034 S	9/2003	Tzenos	
D481,201 S	10/2003	Shea et al.	
D483,175 S *	12/2003	Robinson et al.	D2/954
D483,929 S	12/2003	Tzenos	
D483,932 S *	12/2003	Cooper	D2/954
D485,973 S	2/2004	Adams	
D487,837 S	3/2004	McClaskie	
D487,838 S	3/2004	McClaskie	
D490,223 S	5/2004	McClaskie	

(Continued)

Primary Examiner — T. Chase Nelson
(74) *Attorney, Agent, or Firm* — Marshall A. Lerner; Marvin H. Kleinberg; Kleinberg & Lerner, LLP

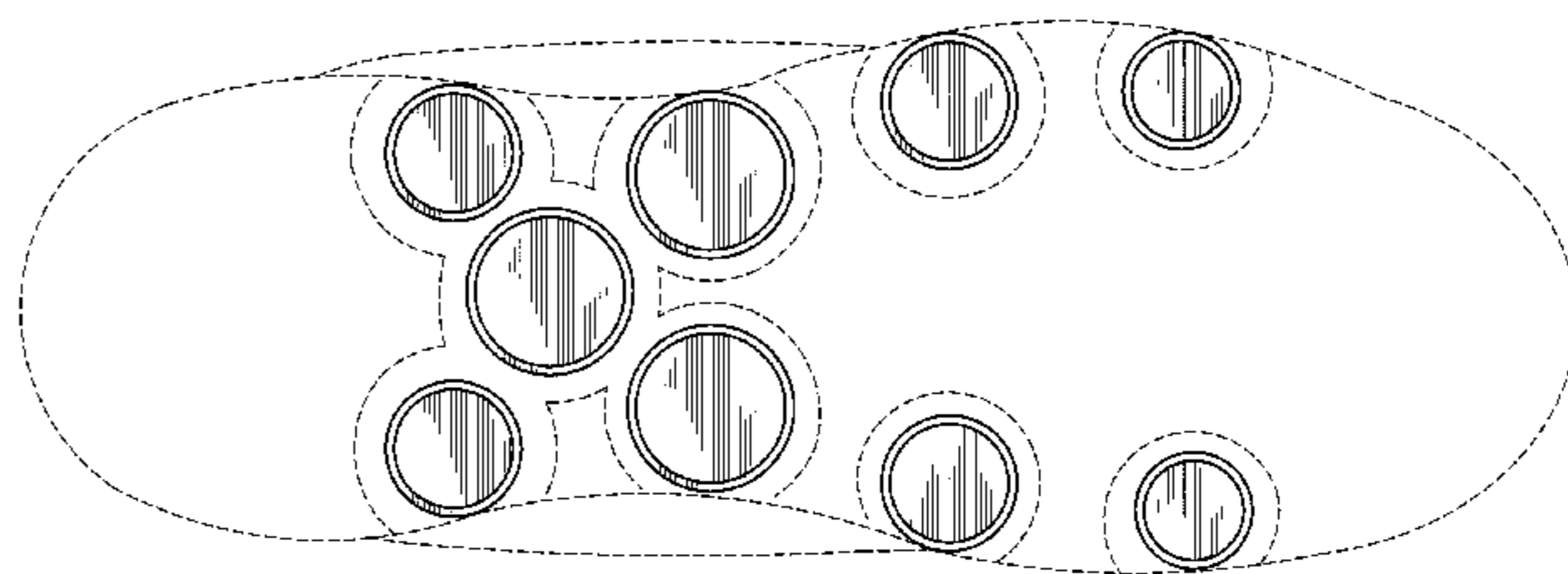
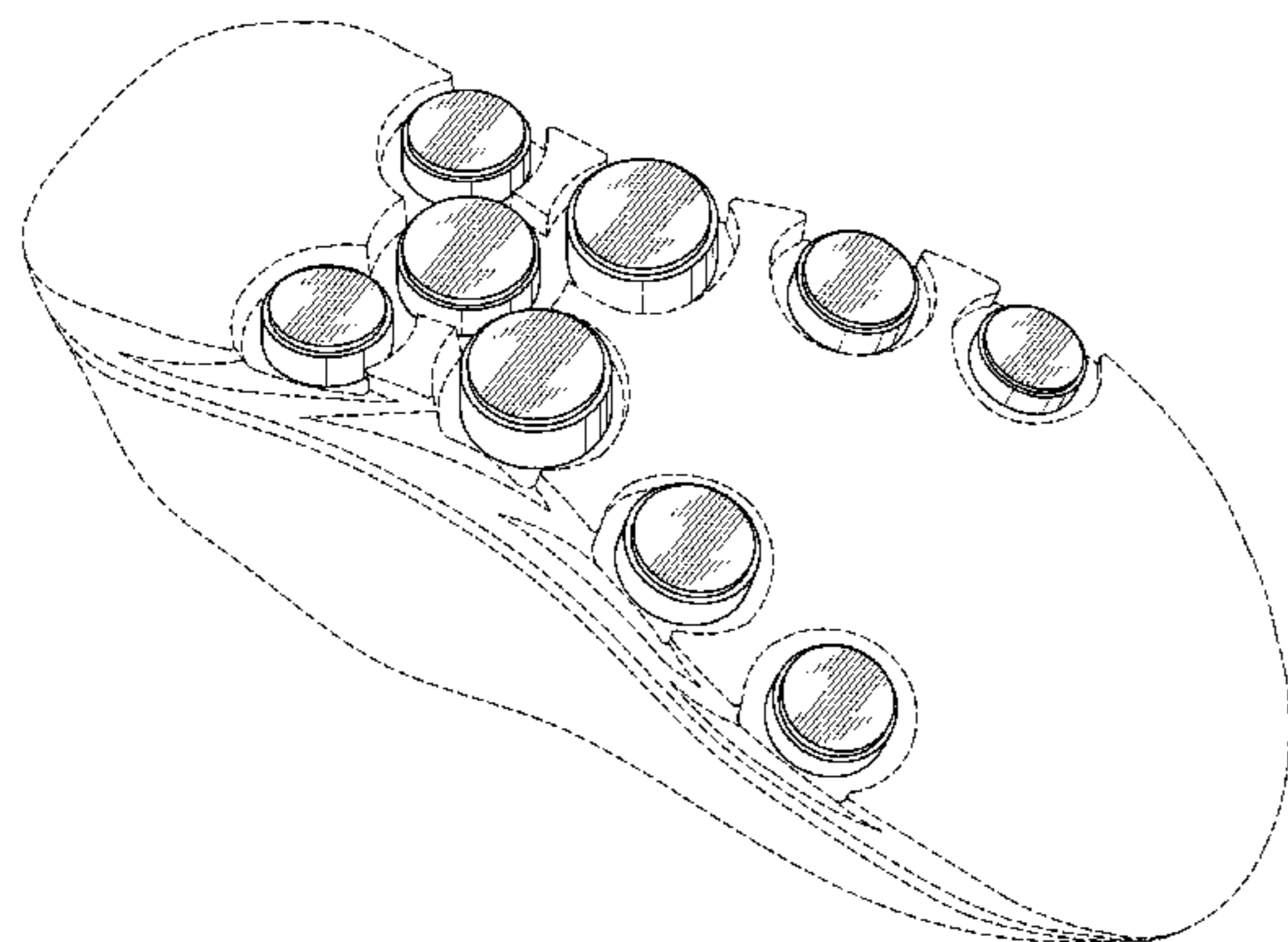
(57) **CLAIM**

The ornamental design for a shoe bottom, as shown and described.

DESCRIPTION

FIG. 1 is a perspective view of an embodiment of a shoe bottom in accordance with my new design. FIG. 2 is a bottom plan view thereof; FIG. 3 is a left side view thereof; FIG. 4 is a right side view thereof; FIG. 5 is a rear elevation view thereof; FIG. 6 is a front elevation view thereof; and, FIG. 7 is a top plan view thereof. Broken lines showing the remainder of the shoe in the figures are for illustrative purposes only and form no part of the claimed invention.

1 Claim, 6 Drawing Sheets



US D652,613 S

Page 2

U.S. PATENT DOCUMENTS

D498,349 S	11/2004	Adams et al.	
D498,350 S	11/2004	Recchi	
6,880,267 B2	4/2005	Smaldone et al.	
D509,647 S	9/2005	McClaskie	
D516,283 S	3/2006	Tzenos	
D527,878 S	9/2006	Edwards	
D530,066 S	10/2006	Earle	
D530,490 S	10/2006	Sonnergren	
D533,333 S	12/2006	Cessor	
D536,517 S	2/2007	Gerber	
D539,516 S	4/2007	McClaskie	
D548,934 S *	8/2007	Choi	D2/954
D556,432 S	12/2007	Gerber	
D559,510 S	1/2008	McClaskie	
D560,053 S	1/2008	McClaskie	
D560,886 S	2/2008	McClaskie	
D560,889 S	2/2008	Weisbly	
D561,436 S	2/2008	St. Louis	
D572,447 S	7/2008	Schoenborn et al.	
D573,333 S	7/2008	Petrie	
D573,334 S	7/2008	Petrie	
D578,282 S *	10/2008	Duffy	D2/955
D578,745 S *	10/2008	Kaufman	D2/956
D583,540 S *	12/2008	Henderson	D2/955
D594,199 S *	6/2009	Kasai	D2/961
D594,200 S *	6/2009	Nakano	D2/961
D595,937 S *	7/2009	Morris	D2/907
D596,383 S *	7/2009	Morris	D2/907
D602,234 S *	10/2009	Feller	D2/917
D609,440 S *	2/2010	Morris	D2/951
D615,737 S *	5/2010	Feller	D2/925
D616,637 S	6/2010	Taestensen	
7,748,141 B2 *	7/2010	Smith et al.	36/28
D626,728 S	11/2010	Tzenos et al.	
D631,238 S	1/2011	Loverin et al.	
D631,239 S	1/2011	Loverin et al.	
7,946,062 B2 *	5/2011	Kelly	36/127
7,966,748 B2	6/2011	Votolato	
D643,191 S *	8/2011	McClaskie	D2/951
7,997,011 B2 *	8/2011	Smith et al.	36/28
2004/0237343 A1 *	12/2004	Herman	36/28
2007/0266592 A1 *	11/2007	Smith et al.	36/28
2008/0010860 A1 *	1/2008	Gyr	36/89
2009/0113760 A1 *	5/2009	Dominguez	36/102
2011/0016749 A1 *	1/2011	Callahan et al.	36/103
2011/0035963 A1 *	2/2011	Baker et al.	36/114
2011/0192056 A1 *	8/2011	Geser et al.	36/114
2011/0239486 A1 *	10/2011	Berger et al.	36/136
2011/0247243 A1 *	10/2011	Eder et al.	36/67 A

* cited by examiner

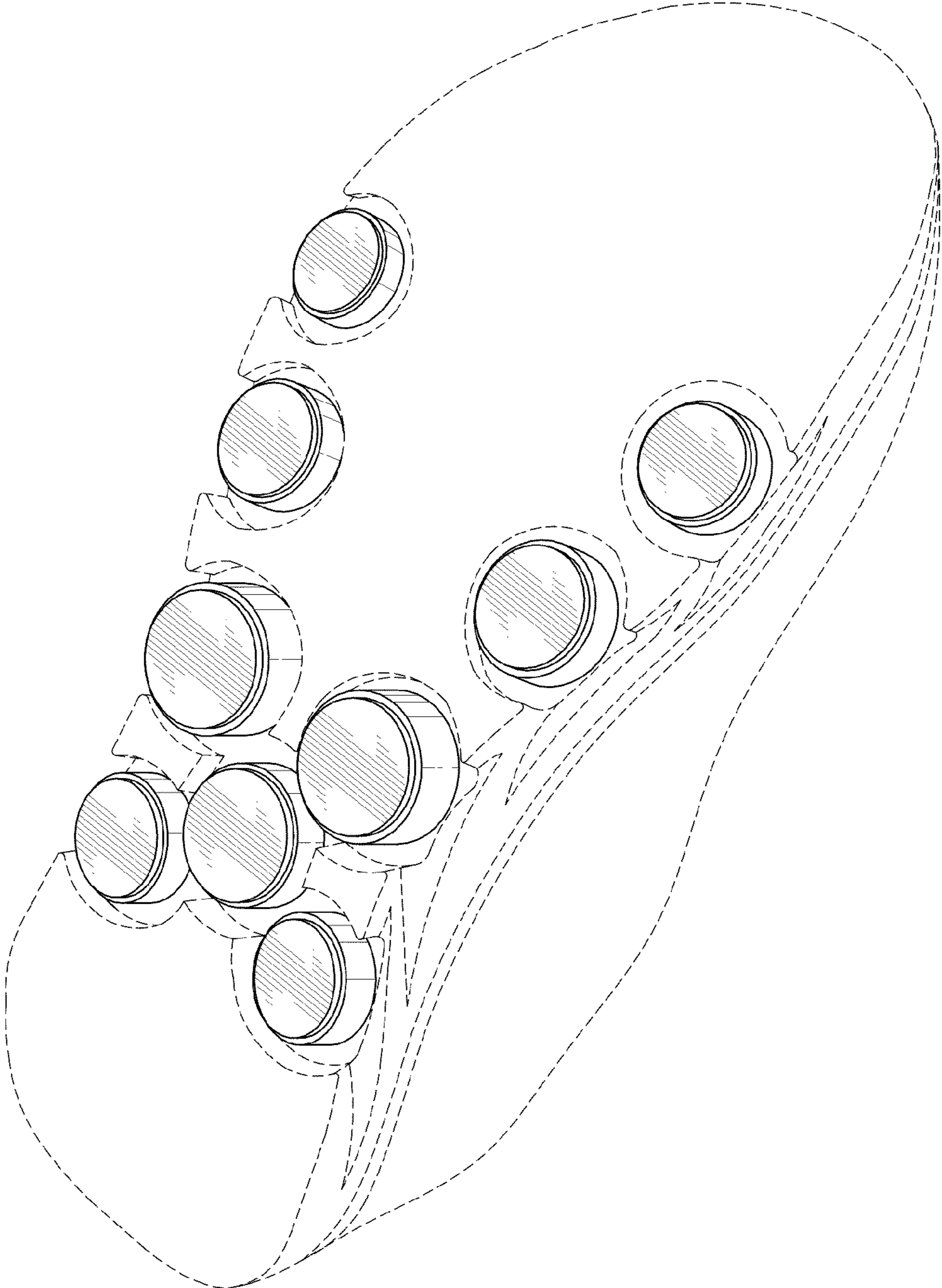


FIG.1

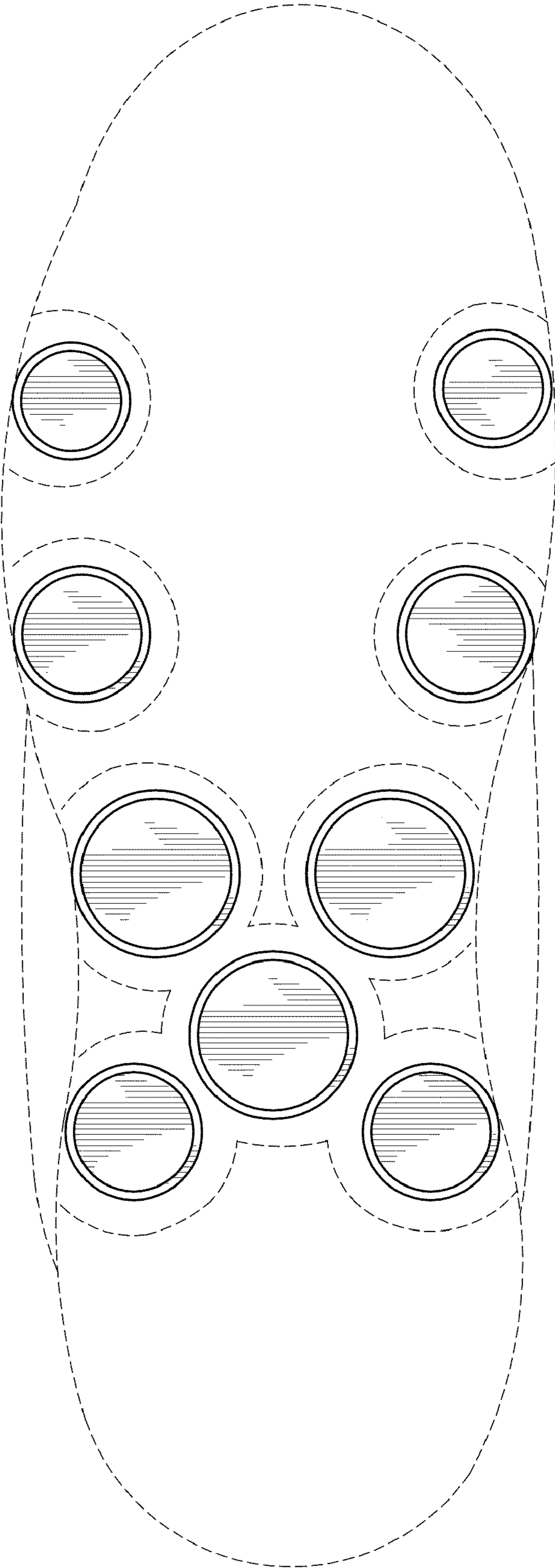
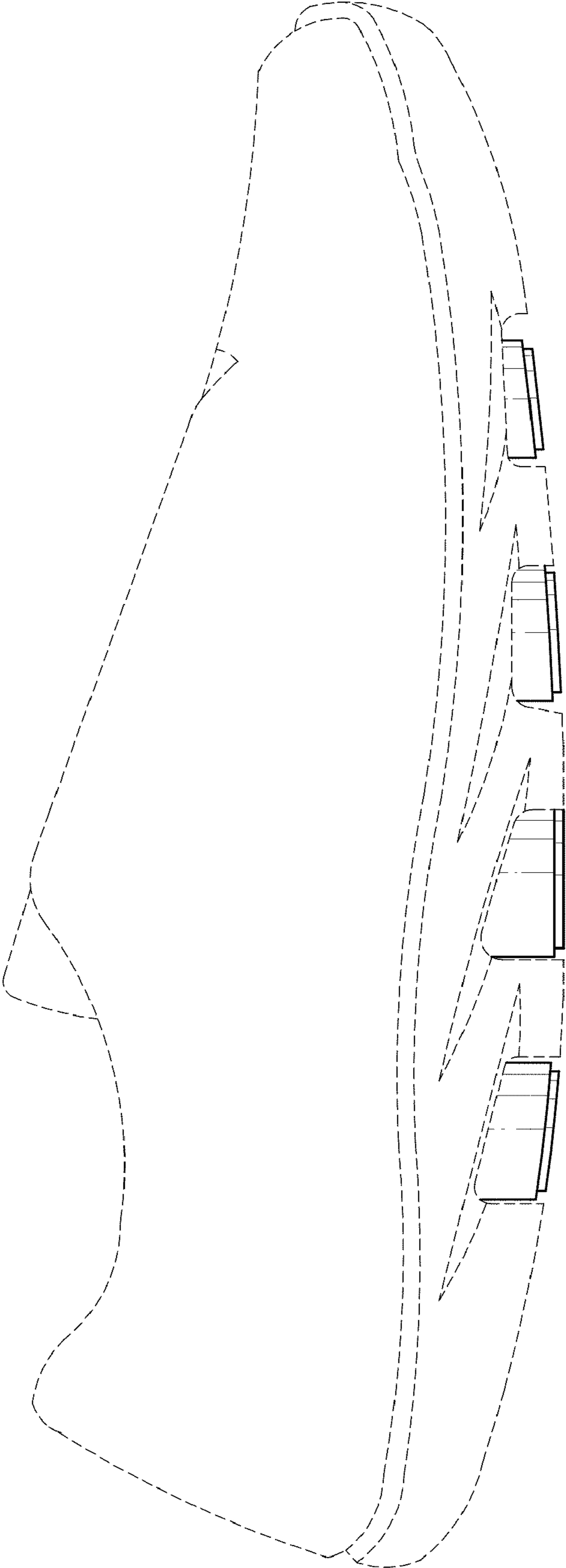


FIG. 2

FIG. 3



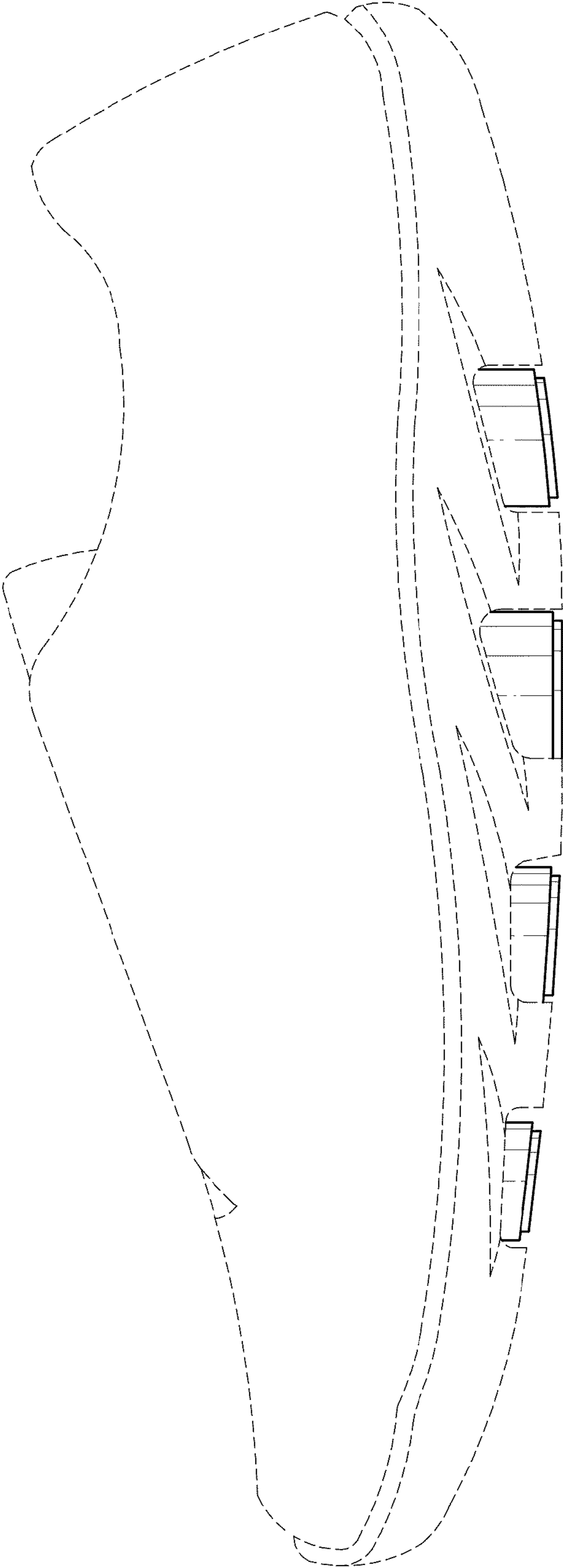


FIG. 4

FIG. 6

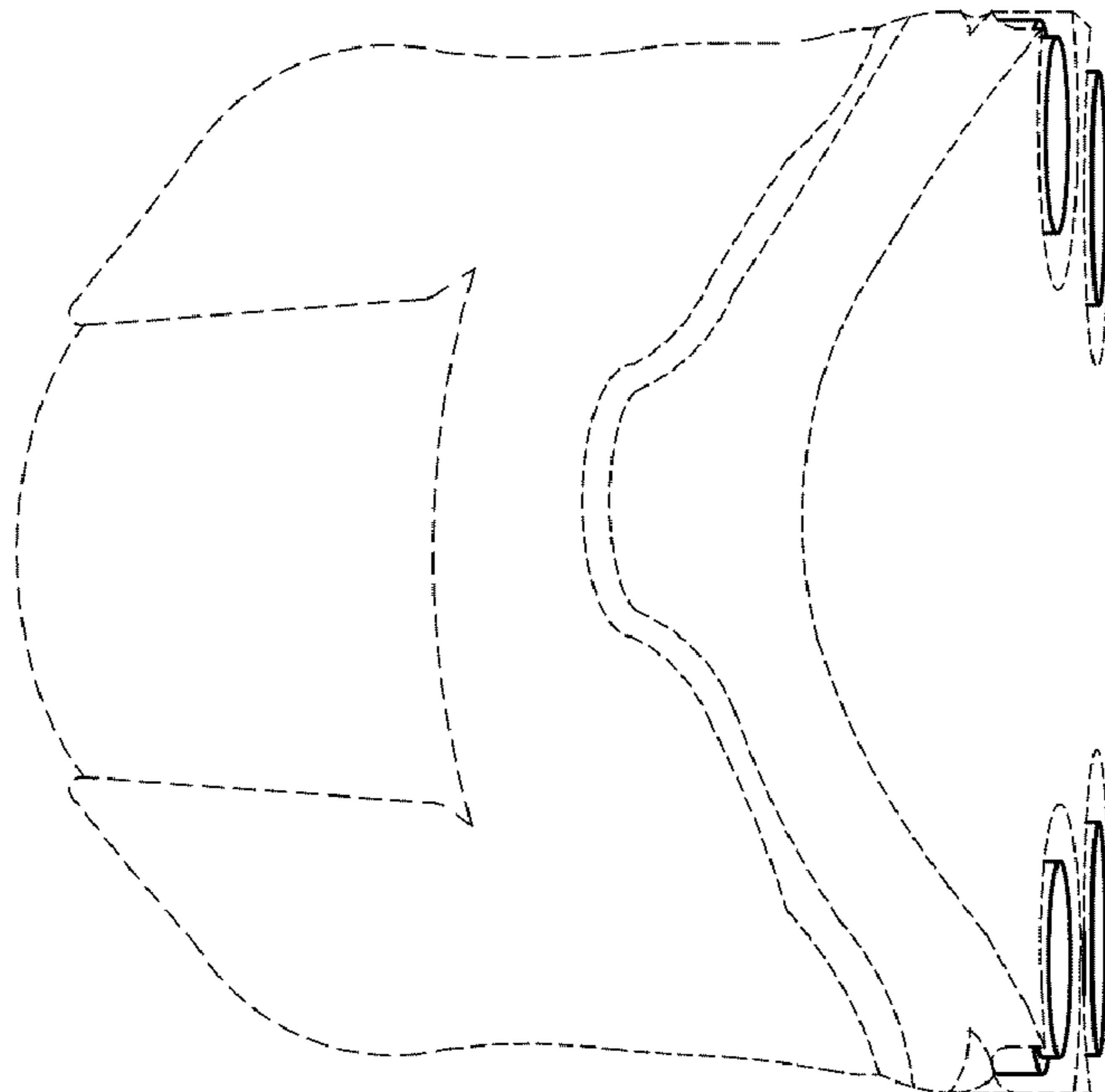
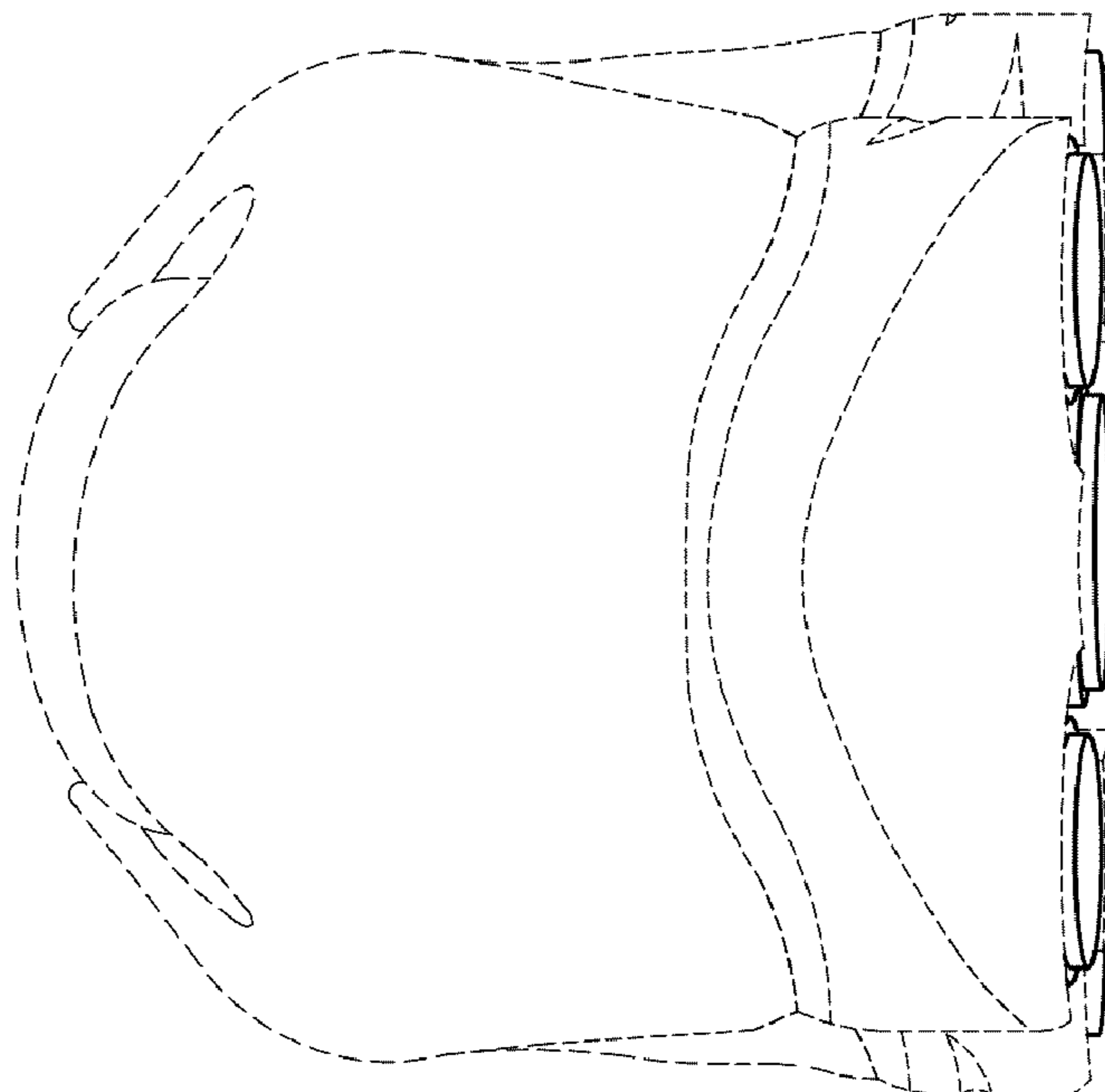


FIG. 5



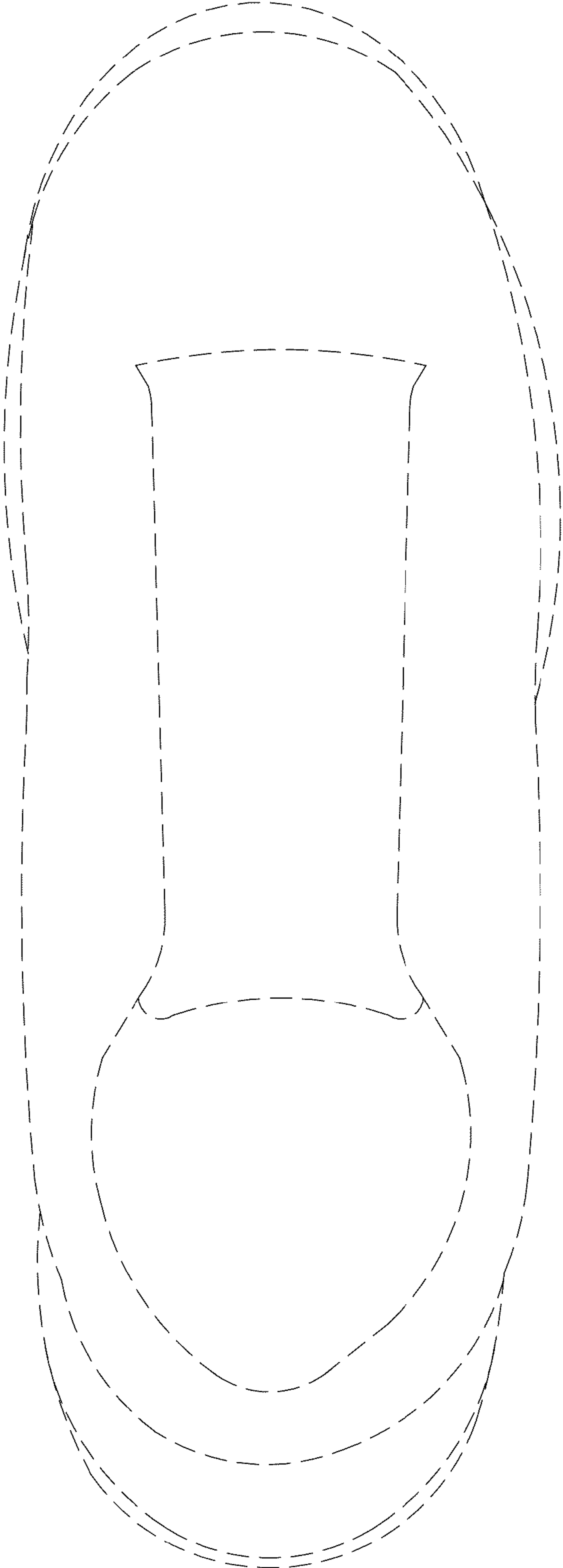


FIG. 7