



US00D652610S

(12) **United States Design Patent**
Brantley

(10) **Patent No.:** **US D652,610 S**

(45) **Date of Patent:** **** Jan. 24, 2012**

(54) **UNDERWEAR**

(76) **Inventor:** **Bonita M. Brantley**, Tampa, FL (US)

(**) **Term:** **14 Years**

(21) **Appl. No.:** **29/389,211**

(22) **Filed:** **Apr. 7, 2011**

(51) **LOC (9) Cl.** **02-01**

(52) **U.S. Cl.** **D2/712**

(58) **Field of Classification Search** D2/700,
D2/711, 712, 713, 714, 715, 716, 731, 735,
D2/738, 742, 857; D24/105; 2/67, 73, 78.1,
2/78.2, 78.3, 227, 234, 235, 236, 237, 238,
2/400, 401, 402, 403, 404, 405, 406, 407,
2/408, 466; 128/844; 450/102, 103, 104,
450/105; 602/61, 67, 68, 70

See application file for complete search history.

D507,091	S	*	7/2005	Digney	D2/712
D507,856	S		8/2005	Yeramyian et al.		
D511,409	S	*	11/2005	Giral	D2/705
D540,508	S		4/2007	Kushner		
7,210,170	B2	*	5/2007	Lee	2/67
D569,580	S		5/2008	Hodges		
D571,531	S	*	6/2008	Grady	D2/712
D597,280	S		8/2009	Venus		
D606,281	S		12/2009	Caffejian et al.		
7,854,022	B2	*	12/2010	Warren et al.	2/401
D632,459	S	*	2/2011	Smith	D2/712
2006/0248629	A1	*	11/2006	Barkman et al.	2/406
2010/0107312	A1		5/2010	Jaraicie		

* cited by examiner

Primary Examiner — Karen E Eldridge Powers

(74) *Attorney, Agent, or Firm* — QuickPatents, Inc.; Kevin Prince

(57) **CLAIM**

I claim the ornamental design for a underwear, as shown and described.

(56) **References Cited**

U.S. PATENT DOCUMENTS

1,247,254	A	*	11/1917	Fox	2/78.2
1,251,030	A	*	12/1917	Hoffman	2/71
D87,449	S	*	7/1932	Tait	D2/712
2,534,934	A		12/1950	Viniegra		
4,121,305	A		10/1978	Kolker		
D287,664	S	*	1/1987	Sherwood et al.	D2/627
D298,459	S	*	11/1988	McCormick	D24/125
D324,126	S	*	2/1992	Cornwall	D2/712
D356,660	S		3/1995	Leonard et al.		
D484,671	S		1/2004	Swan		
D485,967	S	*	2/2004	Williamson	D2/711
6,738,988	B2		5/2004	Ruiter et al.		
6,817,038	B2	*	11/2004	Blanco	2/406
D505,767	S		6/2005	Cabrera		

DESCRIPTION

FIG. 1 is a perspective view of an underwear, showing the new design;

FIG. 2 is a front elevational view thereof;

FIG. 3 is a rear elevational view thereof;

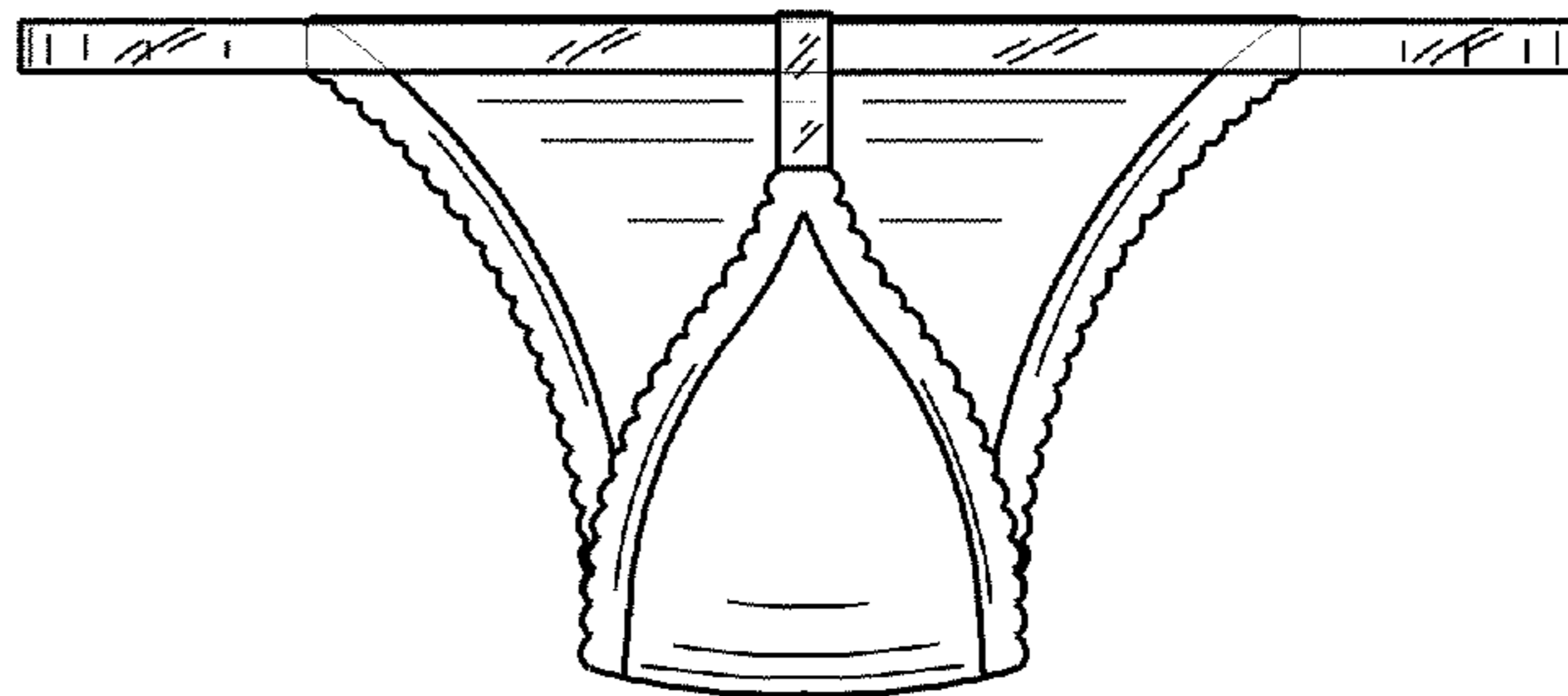
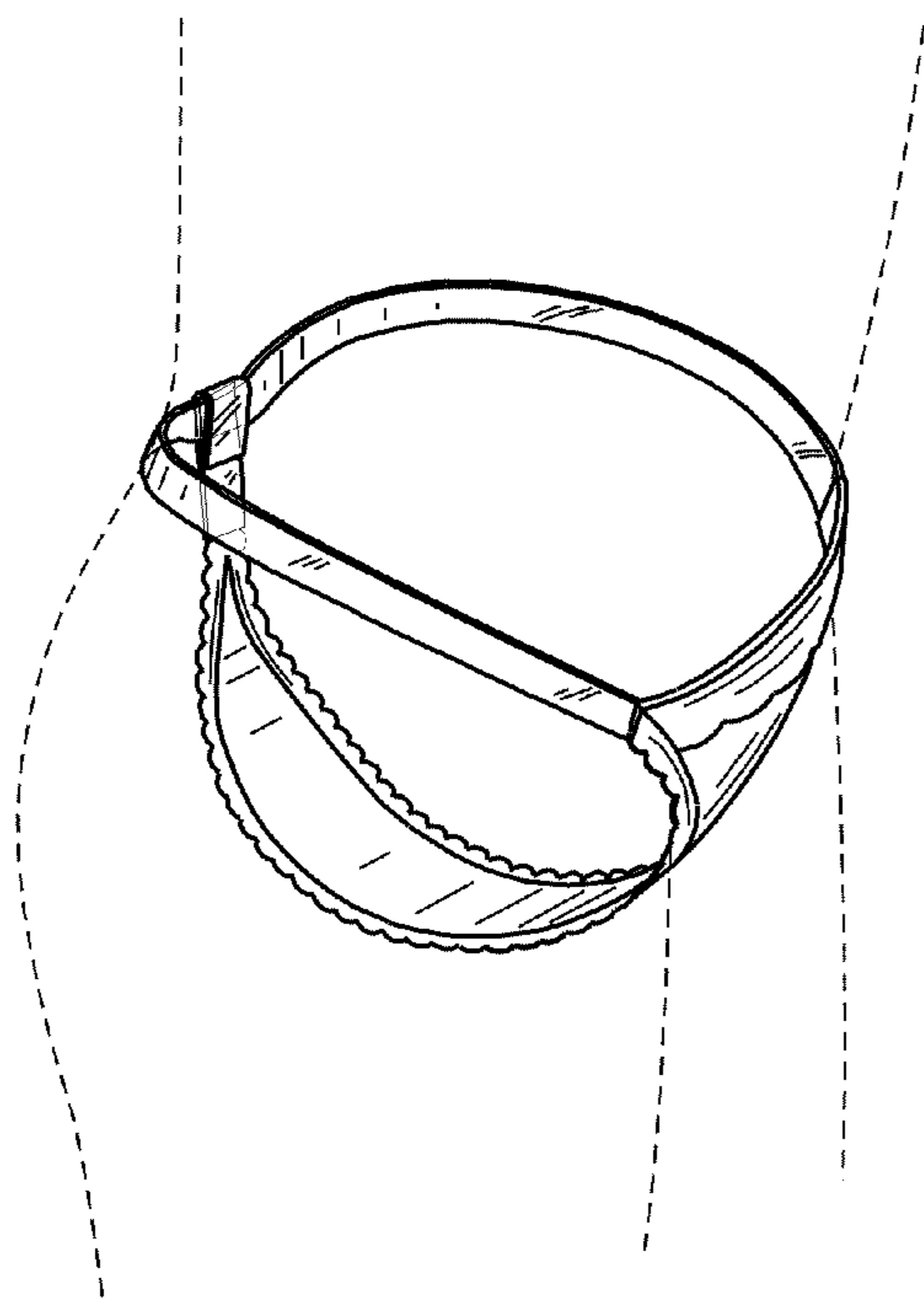
FIG. 4 is a right-side elevational view thereof, the left-side elevational view being a mirror image thereof;

FIG. 5 is a top plan view thereof; and,

FIG. 6 is a bottom plan view thereof.

The broken lines showing a person in FIG. 1 depict environmental matter while the invention is in use, and form no part of the claimed design.

1 Claim, 3 Drawing Sheets



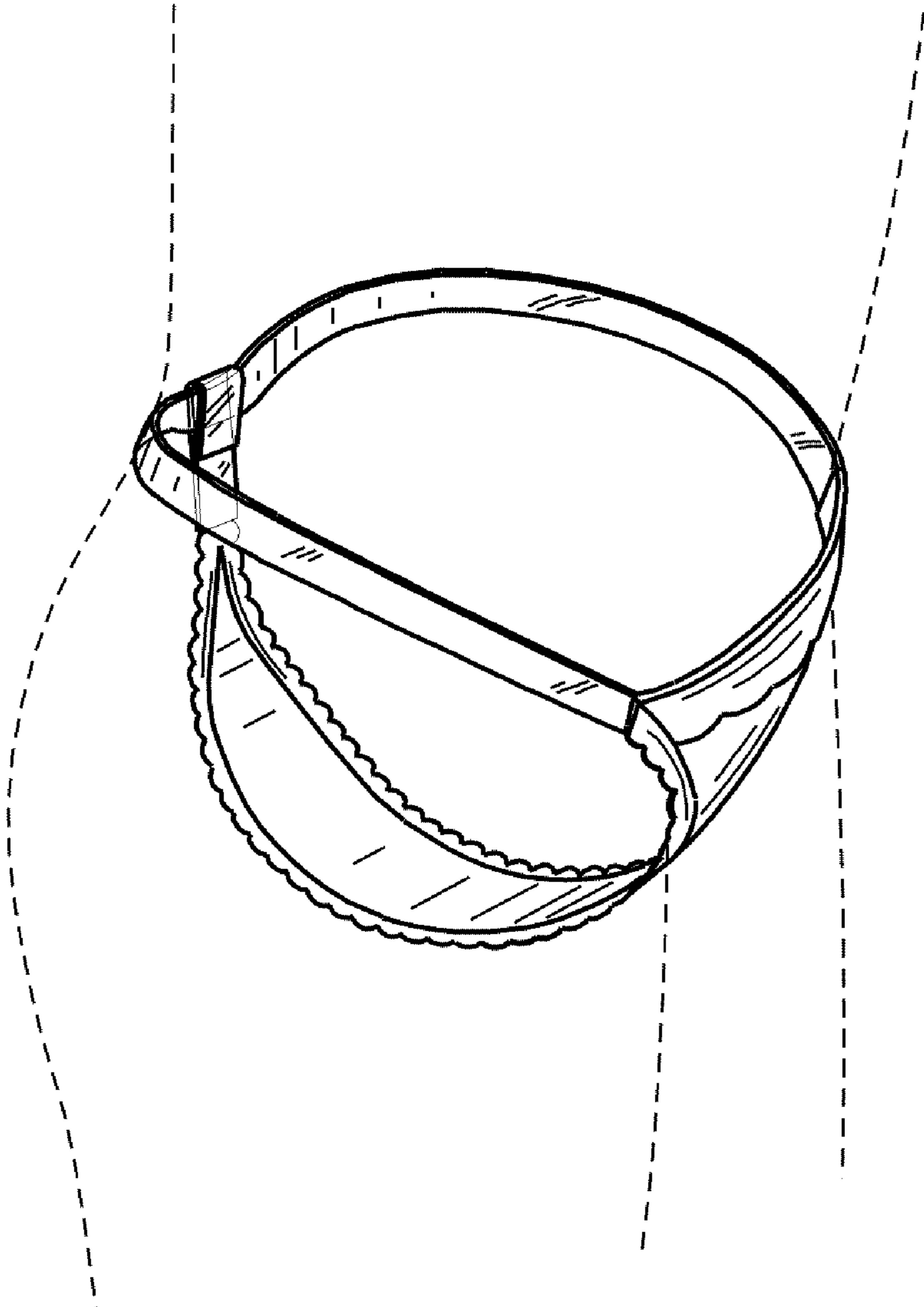


FIG. 1

FIG. 2

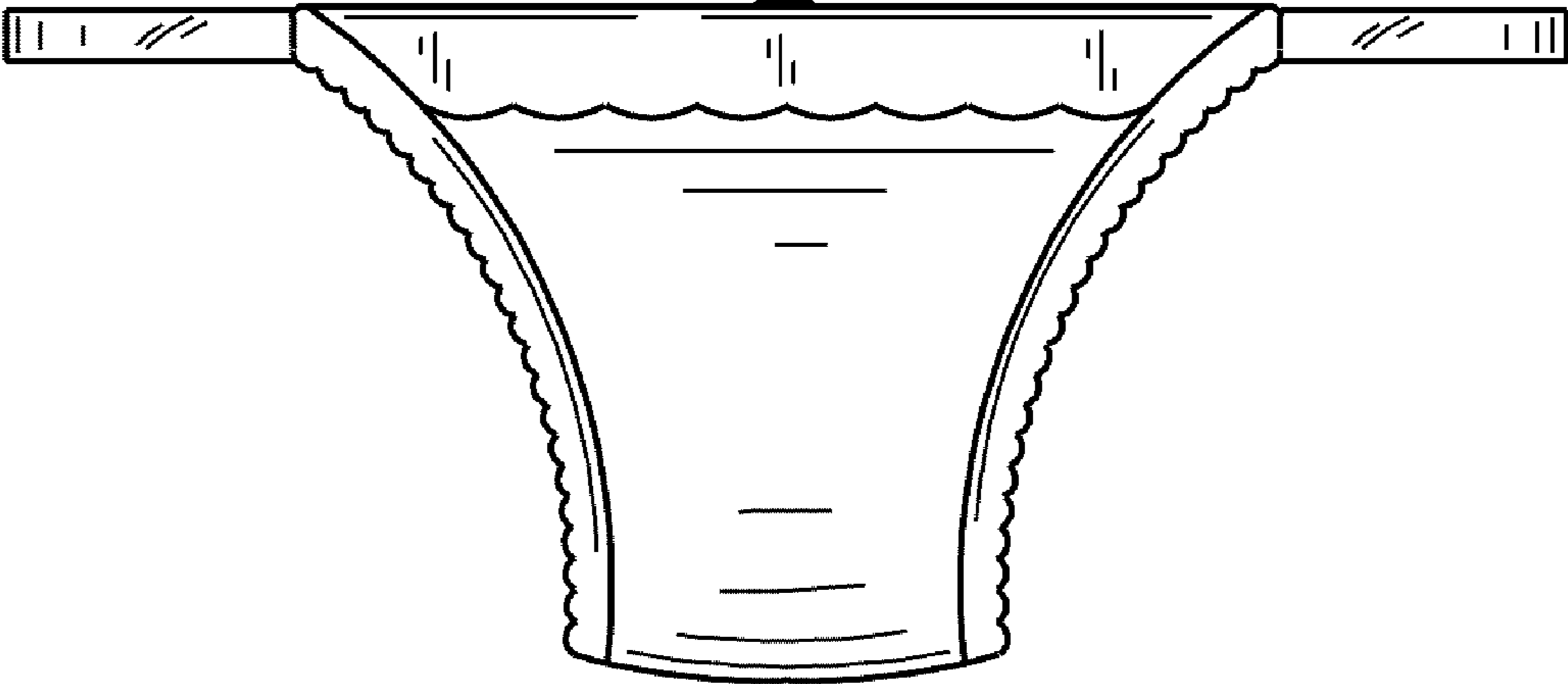
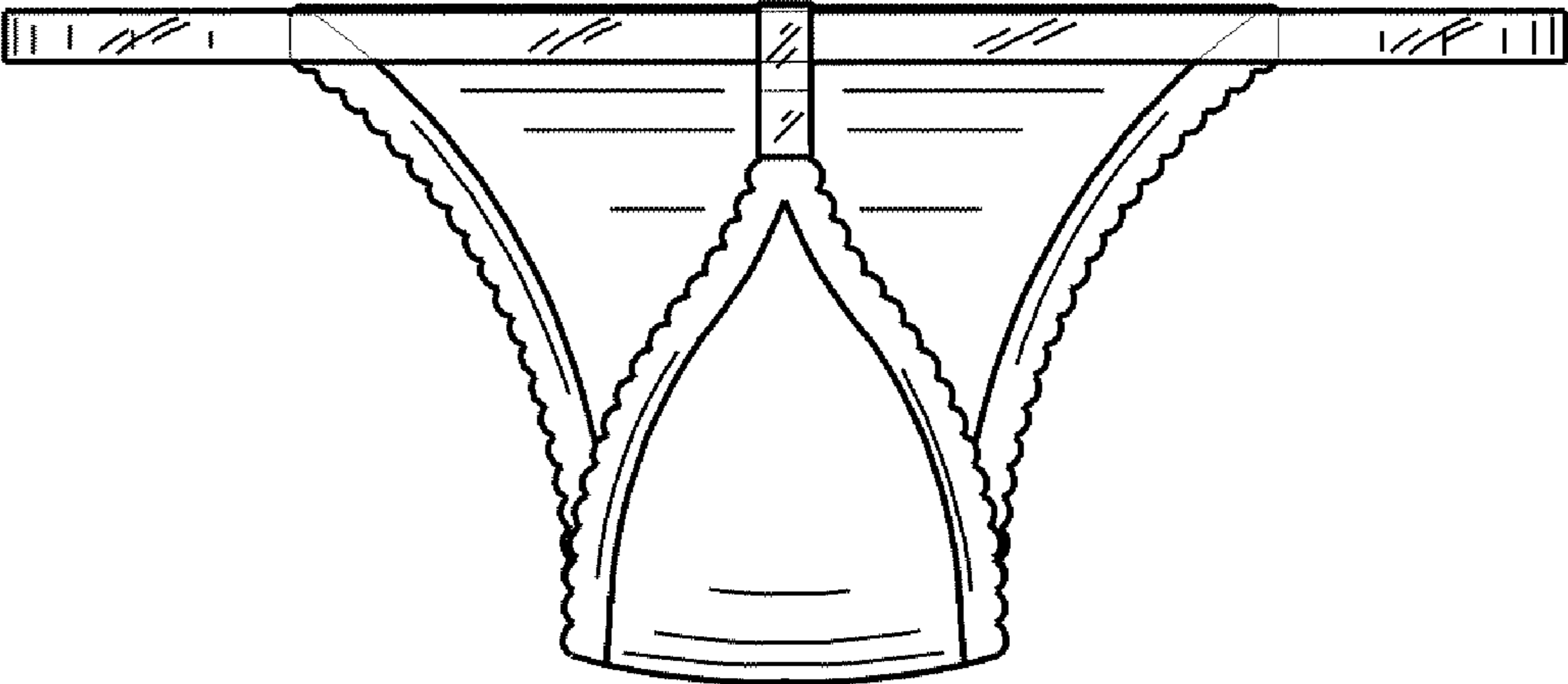


FIG. 3



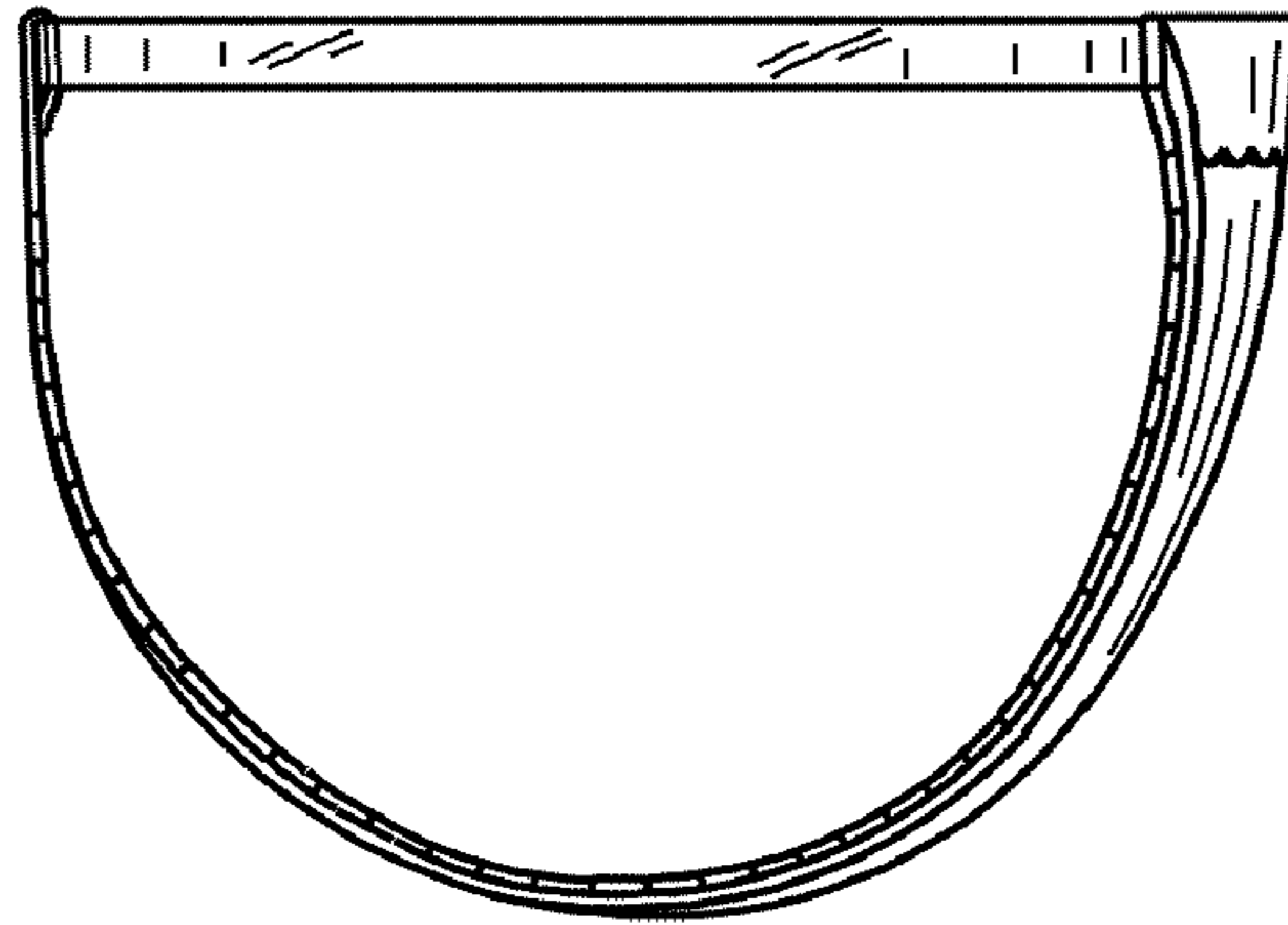


FIG. 4

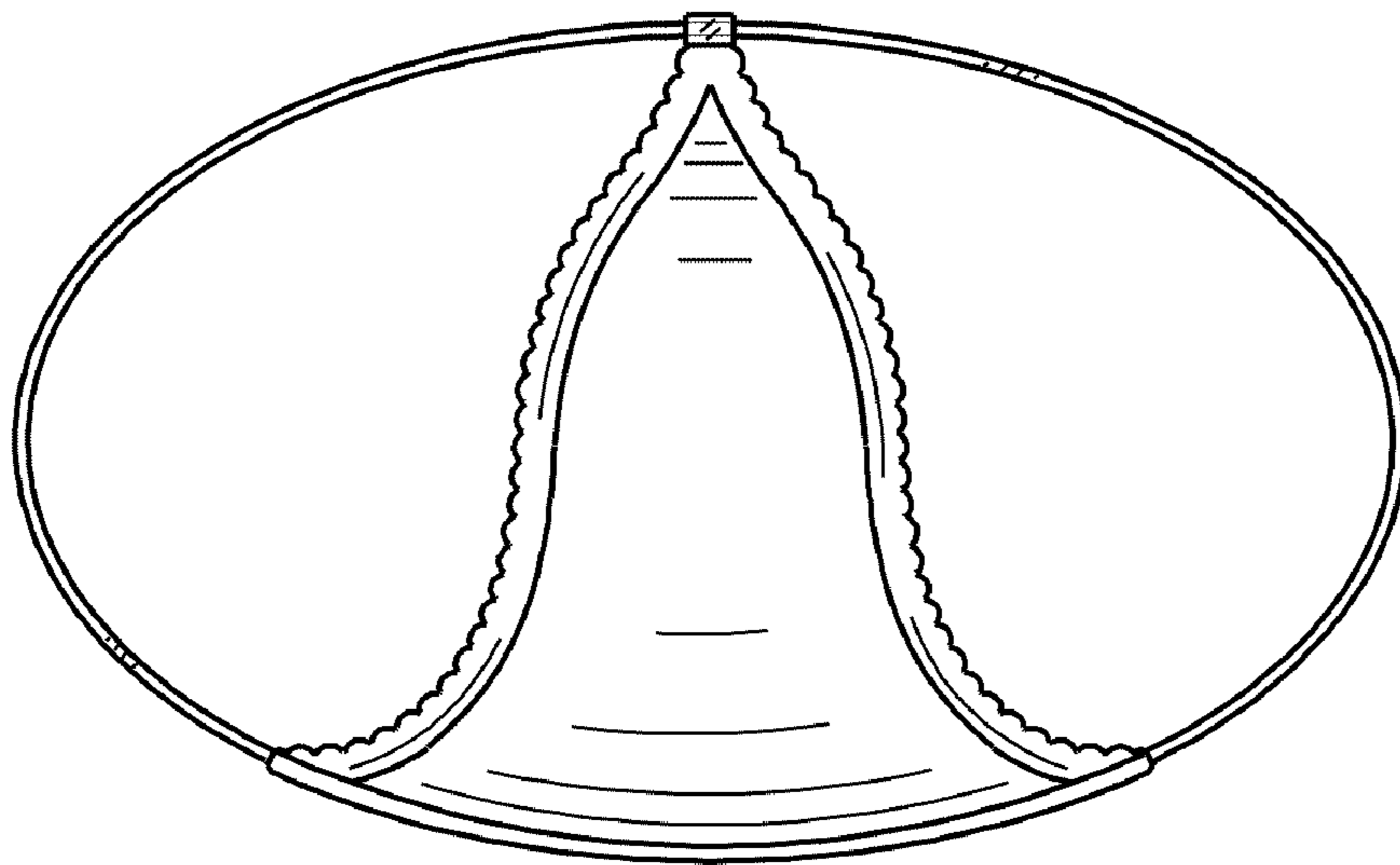


FIG. 5

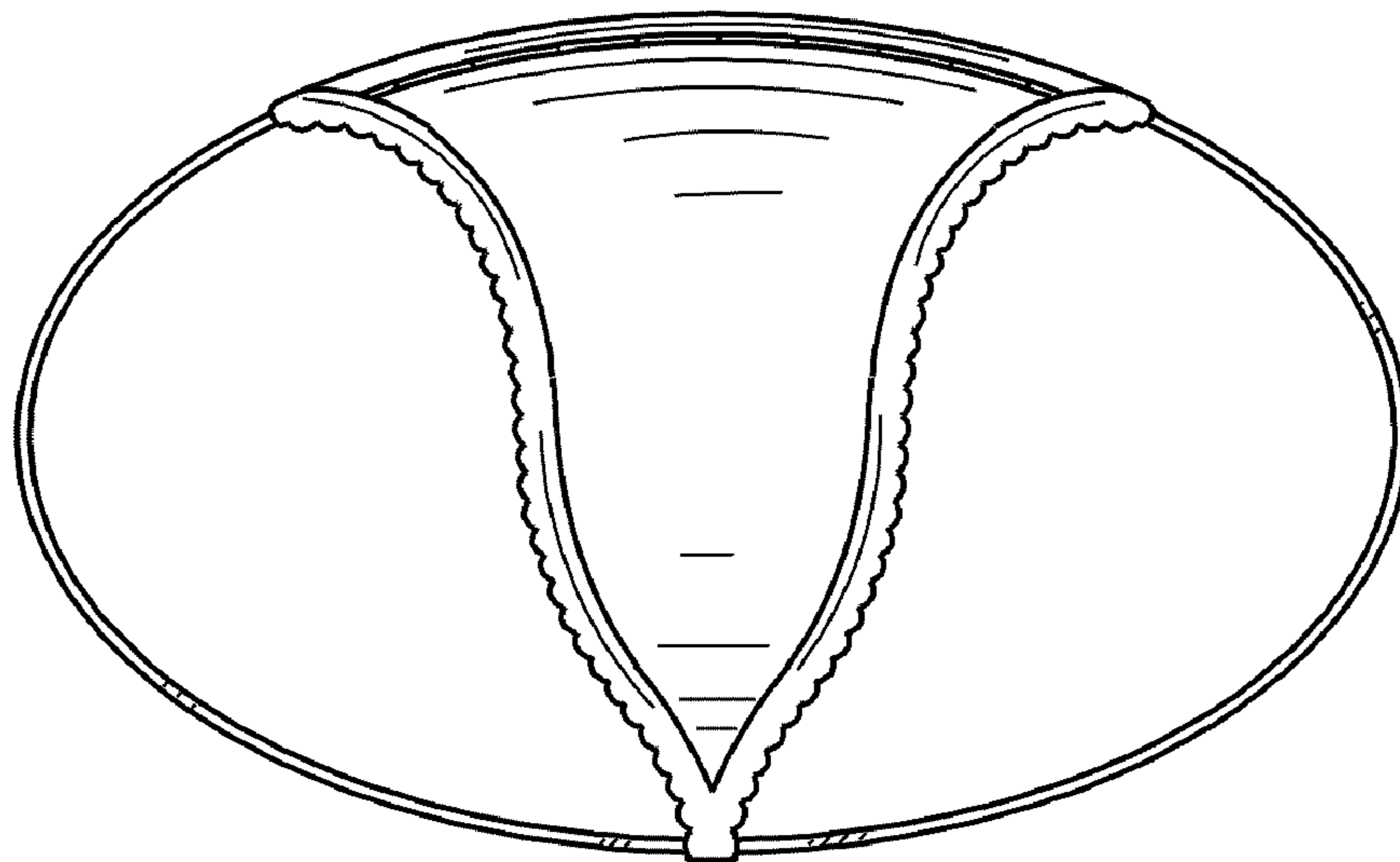


FIG. 6