



US00D652606S

(12) **United States Design Patent**
Eisenberg

(10) **Patent No.:** **US D652,606 S**

(45) **Date of Patent:** **** Jan. 24, 2012**

(54) **COLLAR CARD**

(75) Inventor: **Jordan Eisenberg**, Denver, CO (US)

(73) Assignee: **CollarCard, LLC**, Los Angeles, CA (US)

(**) Term: **14 Years**

(21) Appl. No.: **29/331,109**

(22) Filed: **Jan. 20, 2009**

(51) **LOC (9) Cl.** **02-05**

(52) **U.S. Cl.** **D2/609**

(58) **Field of Classification Search** D2/609;
D11/200-202; 223/83; 2/255, 132, 137-138,
2/144-145, 155-156

See application file for complete search history.

(56) **References Cited**

U.S. PATENT DOCUMENTS

444,809	A *	1/1891	Warren	2/258
2,595,112	A *	4/1952	Story	206/460
2,654,889	A *	10/1953	Doric	2/132
2,697,834	A *	12/1954	Robinson	2/132
2,719,979	A *	10/1955	Rezek	2/132
2,884,640	A *	5/1959	Liebowitz	2/132
3,030,633	A *	4/1962	Chalfin	2/258
3,686,692	A *	8/1972	Snare et al.	2/132

5,303,571	A *	4/1994	Quinn et al.	72/336
D507,205	S *	7/2005	Bier et al.	D11/202
7,409,730	B2 *	8/2008	Boos	2/132
2004/0113418	A1 *	6/2004	Bullen	283/56
2007/0204374	A1 *	9/2007	Bier et al.	2/60
2008/0134410	A1 *	6/2008	Eisenberg	2/132
2008/0295218	A1 *	12/2008	Boos	2/132
2009/0019619	A1 *	1/2009	Shweky	2/258

* cited by examiner

Primary Examiner — T. Chase Nelson

Assistant Examiner — Kathleen M Sims

(74) *Attorney, Agent, or Firm* — Holland & Hart LLP

(57) **CLAIM**

The ornamental design for a collar card, as shown and described.

DESCRIPTION

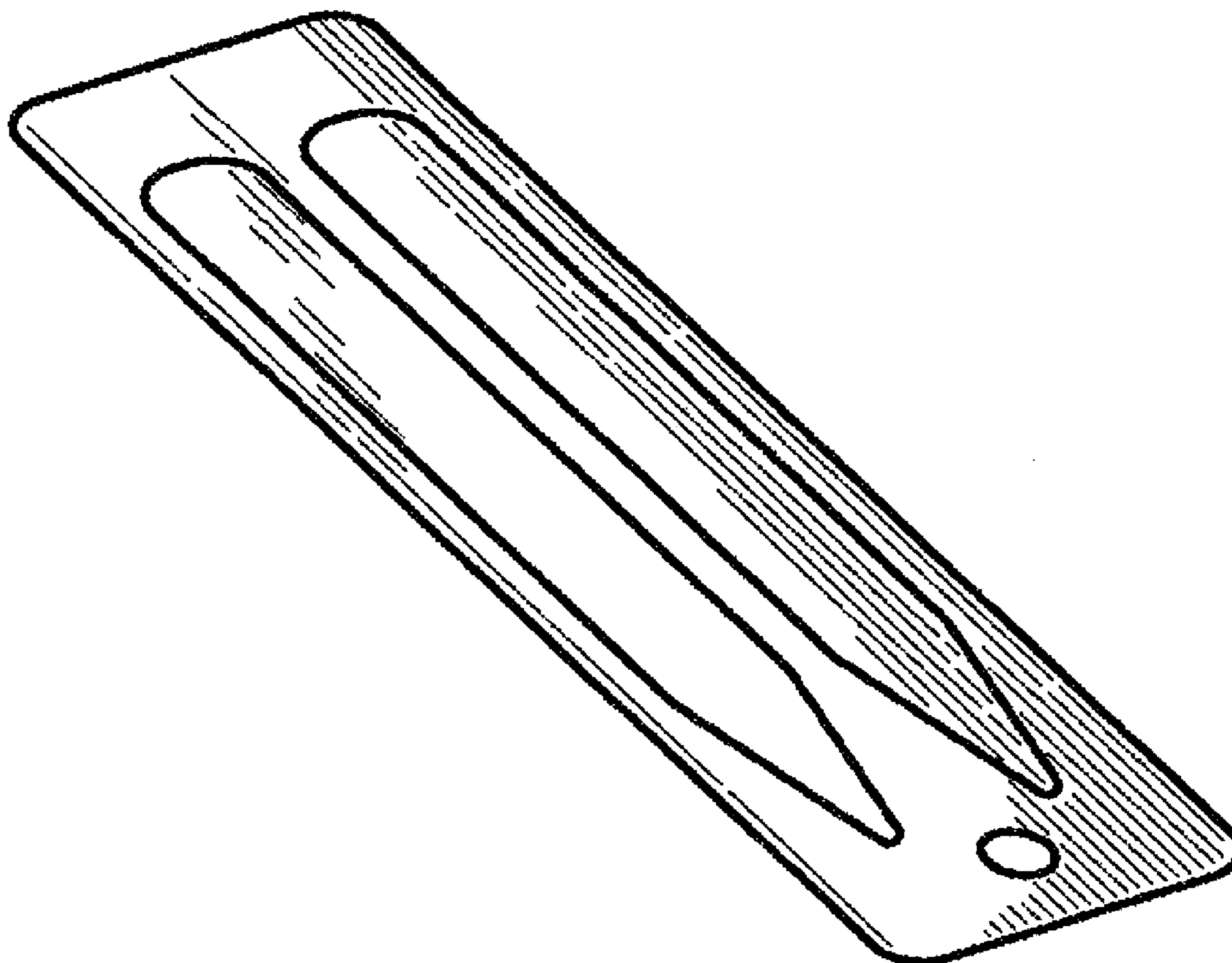
FIG. 1 is a perspective view of an embodiment of the collar card of the invention.

FIG. 2 is a perspective view of the embodiment of the invention shown in FIG. 1, showing a collar stay partially removed.

FIG. 3 is a plan view of the top side of the embodiment of the collar card of the invention shown in FIG. 1; and,

FIG. 4 is a plan view of the bottom side of the embodiment of the collar card of the invention shown in FIG. 1.

1 Claim, 2 Drawing Sheets



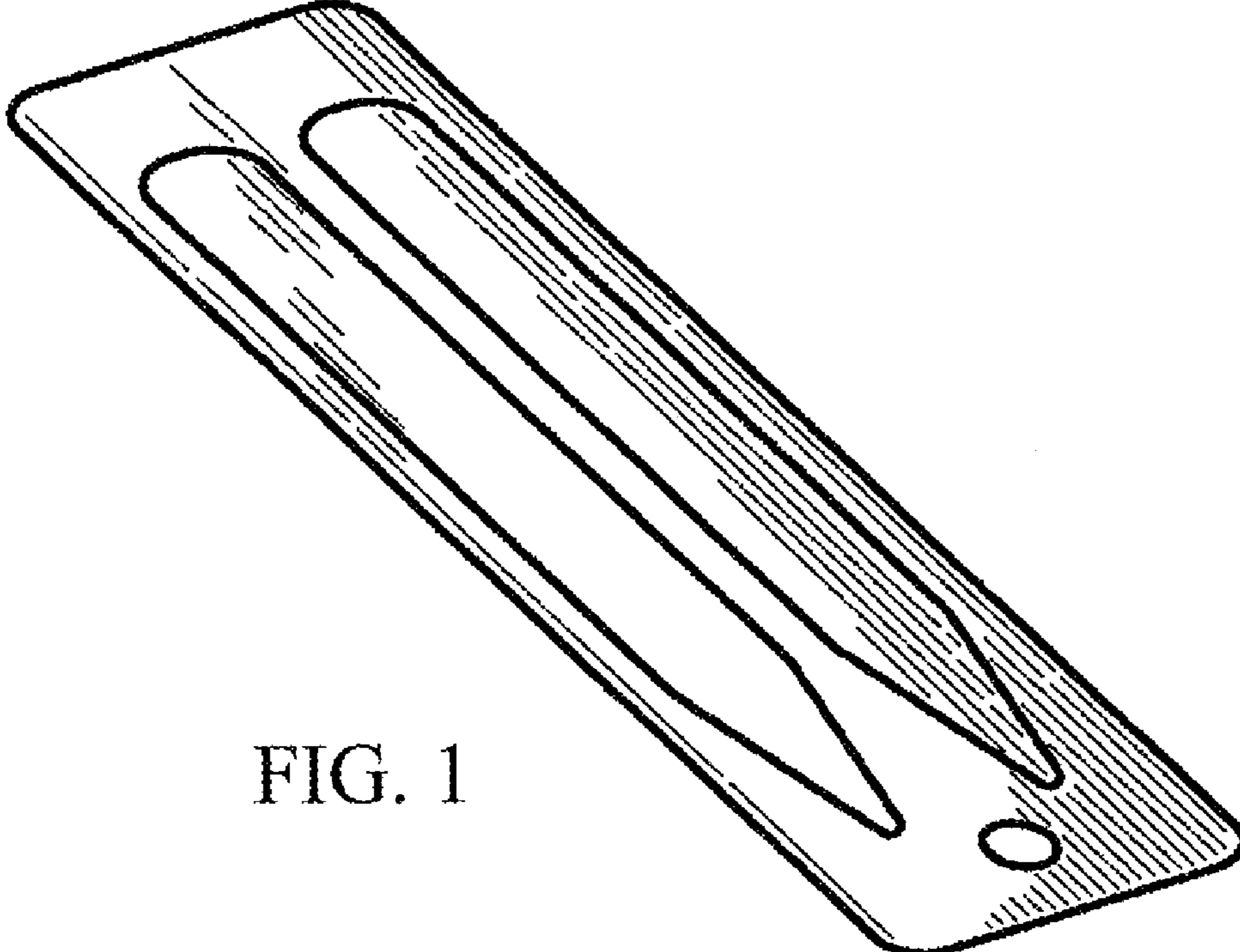


FIG. 1

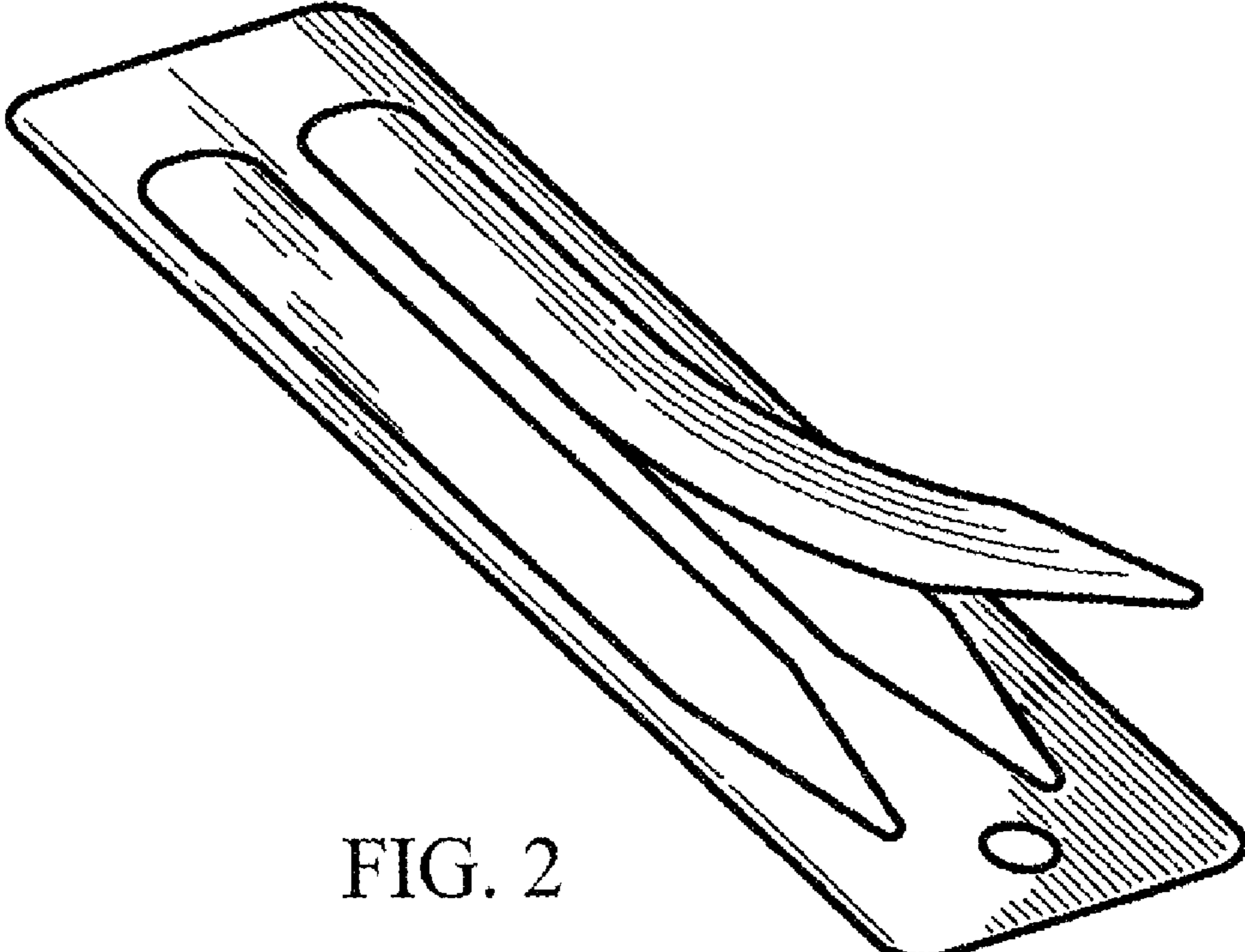


FIG. 2

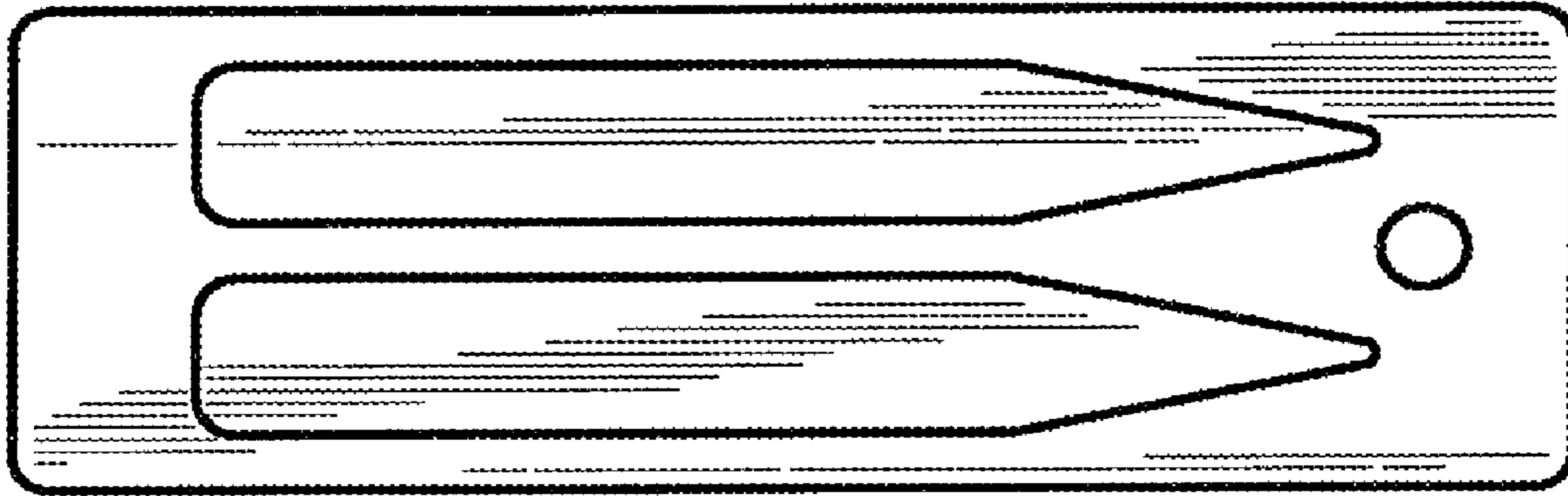


FIG. 3



FIG. 4