



US00D652605S

(12) **United States Design Patent**
Farentinos et al.

(10) **Patent No.:** **US D652,605 S**
(45) **Date of Patent:** **** Jan. 17, 2012**

(54) **MAILBOX DOOR**

(75) Inventors: **Christopher Andrew Farentinos**,
Redondo Beach, CA (US); **Vanessa**
Felicia Troyer-Farentinos, Redondo
Beach, CA (US); **Emily Jeanne**
Pearson, Santa Monica, CA (US)

(73) Assignee: **Architectural Mailboxes, LLC**,
Redondo Beach, CA (US)

(**) Term: **14 Years**

(21) Appl. No.: **29/386,383**

(22) Filed: **Feb. 28, 2011**

(51) **LOC (9) Cl.** **99-00**

(52) **U.S. Cl.** **D99/43**

(58) **Field of Classification Search** D99/28,
D99/29, 30, 31, 32, 33, 43, 99; D3/272,
D3/294; D6/510; D8/300, 306, 307, 313,
D8/321, 322; 232/1 A, 17, 19, 20, 21, 22,
232/23, 24-31, 34, 35, 37, 38, 39, 44, 45,
232/47

See application file for complete search history.

(56) **References Cited**

U.S. PATENT DOCUMENTS

3,815,811	A *	6/1974	Harmon	232/35
4,005,816	A *	2/1977	Malik	232/35
4,275,829	A *	6/1981	Johnson et al.	232/17
4,524,905	A *	6/1985	Crist	232/17
D309,053	S *	7/1990	Shantz	D99/29
4,950,202	A *	8/1990	Florio	446/219
D315,821	S *	3/1991	Lorenzi	D99/29
D332,166	S *	12/1992	Williams	D99/29
D332,341	S	1/1993	Mayfield	

D360,741	S *	7/1995	Bohlmann	D99/30
5,449,111	A *	9/1995	Sauzedde et al.	232/17
D445,988	S *	7/2001	Gaines et al.	D99/29
D482,179	S *	11/2003	South	D99/29
D503,843	S *	4/2005	Murphy et al.	D99/30
D514,270	S *	1/2006	Lackey et al.	D99/30
D517,270	S *	3/2006	Lackey et al.	D99/30
7,090,119	B1 *	8/2006	Lackey et al.	232/17
7,182,244	B2 *	2/2007	Brown	232/45
7,252,221	B1 *	8/2007	Bowers	232/45
D563,625	S	3/2008	Bowers	
7,527,190	B1 *	5/2009	Bowers et al.	232/45

OTHER PUBLICATIONS

Brick Mailbox Doors, <http://www.betterboxmailboxes.com/brick-mailboxes-doors.php>, by Better Box Mailboxes, copyright 2011.*
Gladiator Mailboxes, <http://www.luxuryhousingtrends.com/archive/2008/10/gladiator-mailbox.com>, by Luxury Housing Trends, copyright 2005-2010.*

* cited by examiner

Primary Examiner — Elizabeth J Oswecki
(74) *Attorney, Agent, or Firm* — Vista IP Law Group LLP

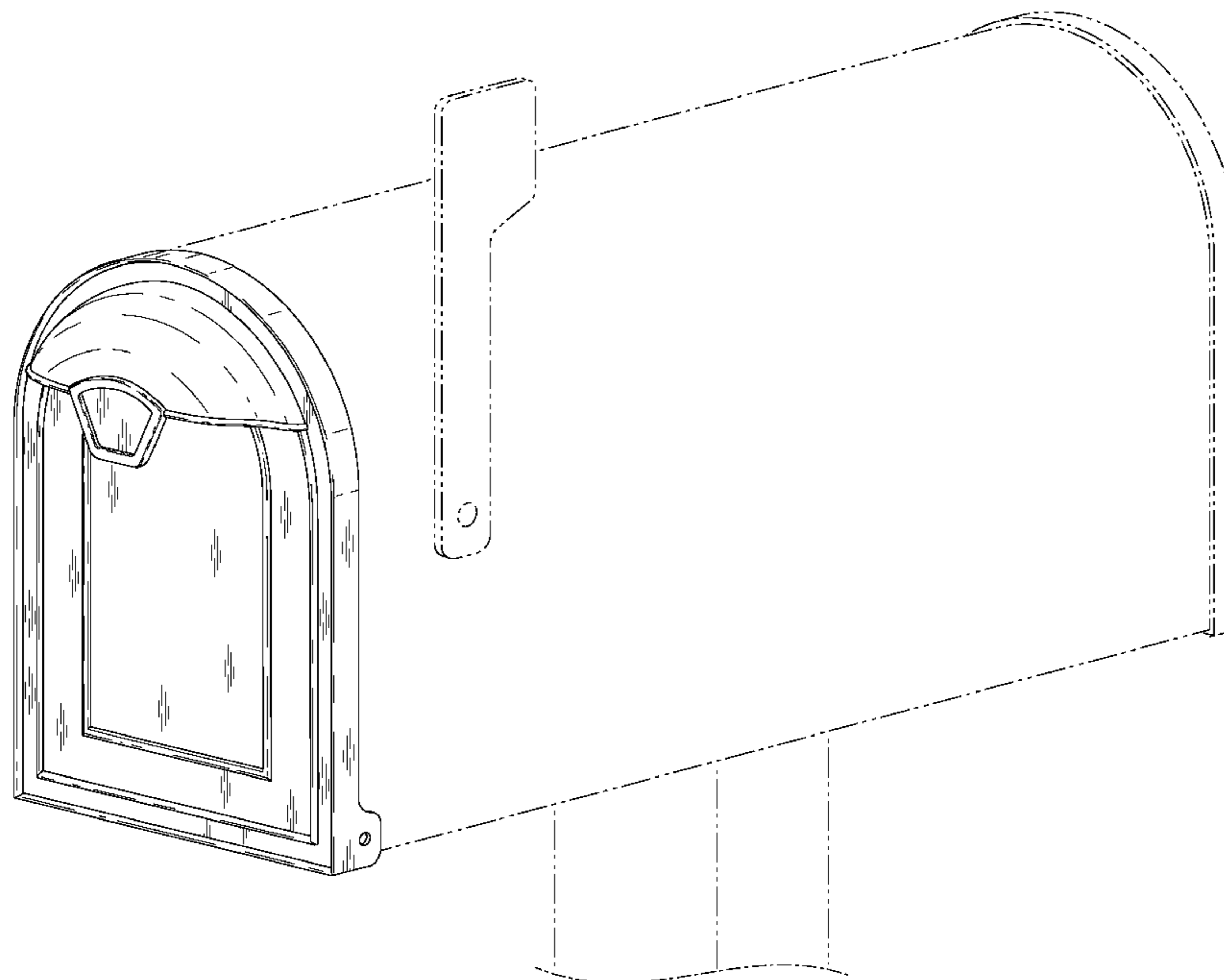
(57) **CLAIM**

The ornamental design for the mailbox door, as shown and described.

DESCRIPTION

FIG. 1 is a front perspective view of a mailbox door showing our new design;
FIG. 2 is a front view thereof;
FIG. 3 is a back view thereof;
FIG. 4 is a right side view thereof, the left side being identical;
FIG. 5 is a top plan view thereof; and,
FIG. 6 is a bottom plan view thereof.

1 Claim, 2 Drawing Sheets



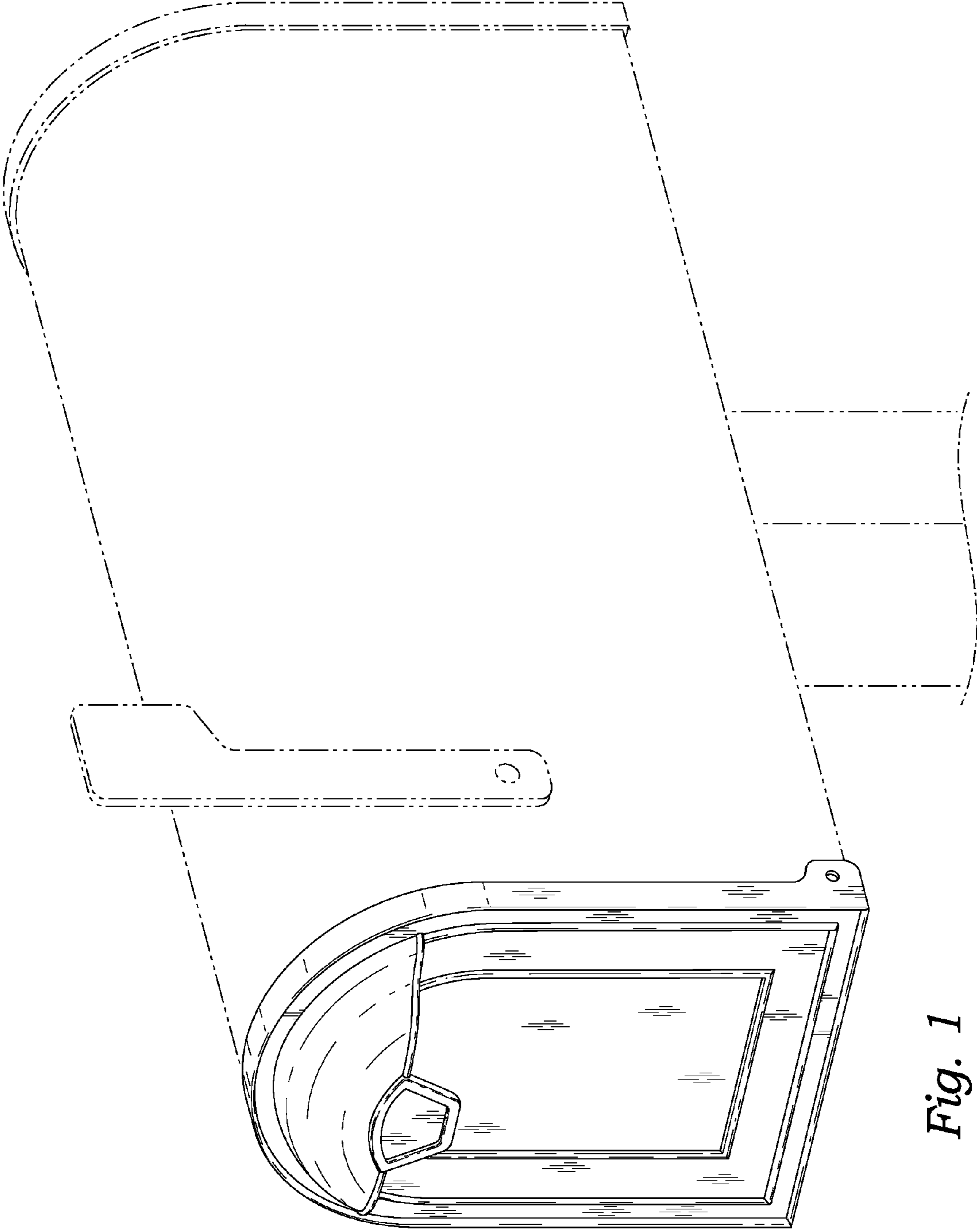


Fig. 1

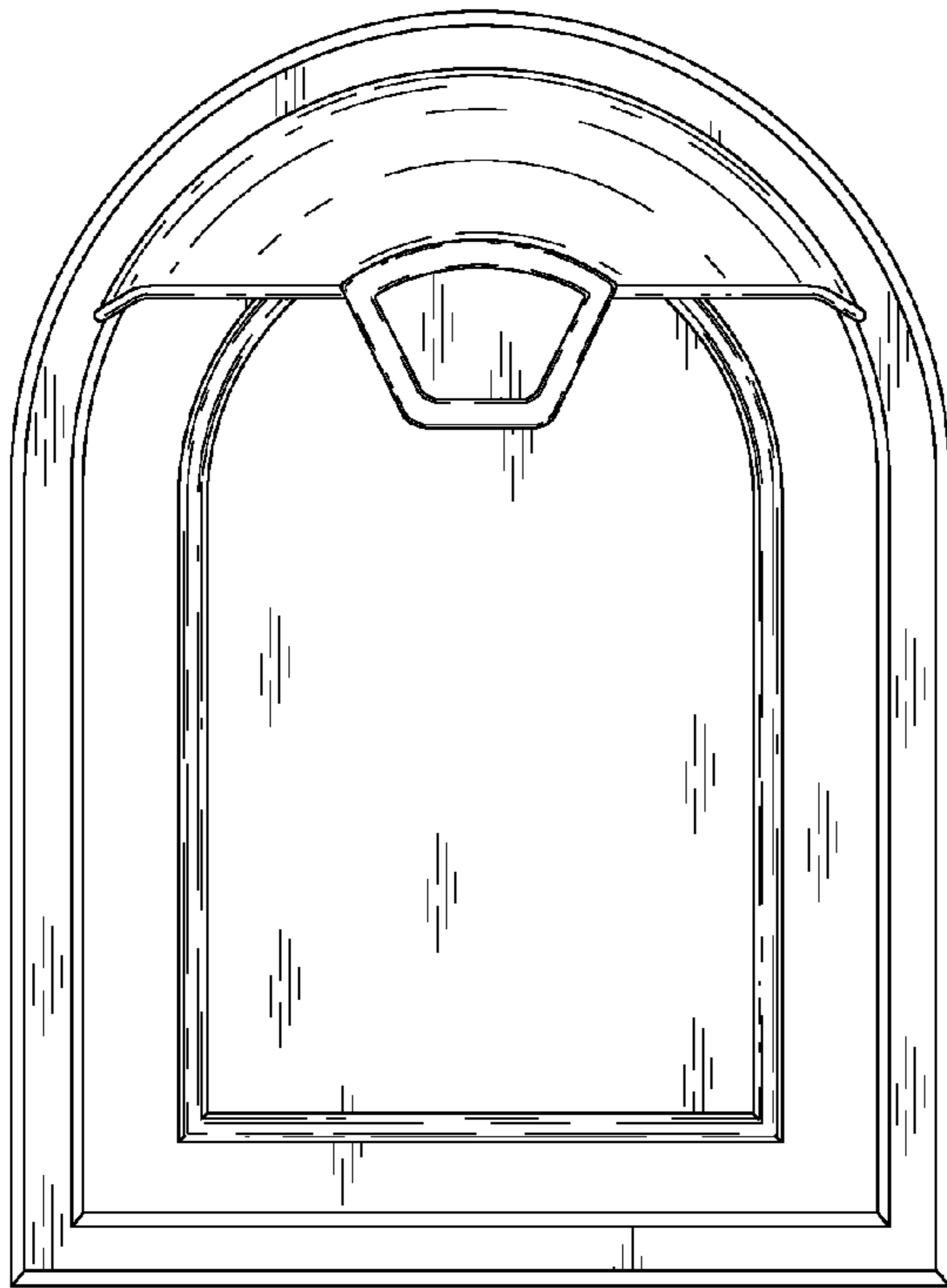


Fig. 2

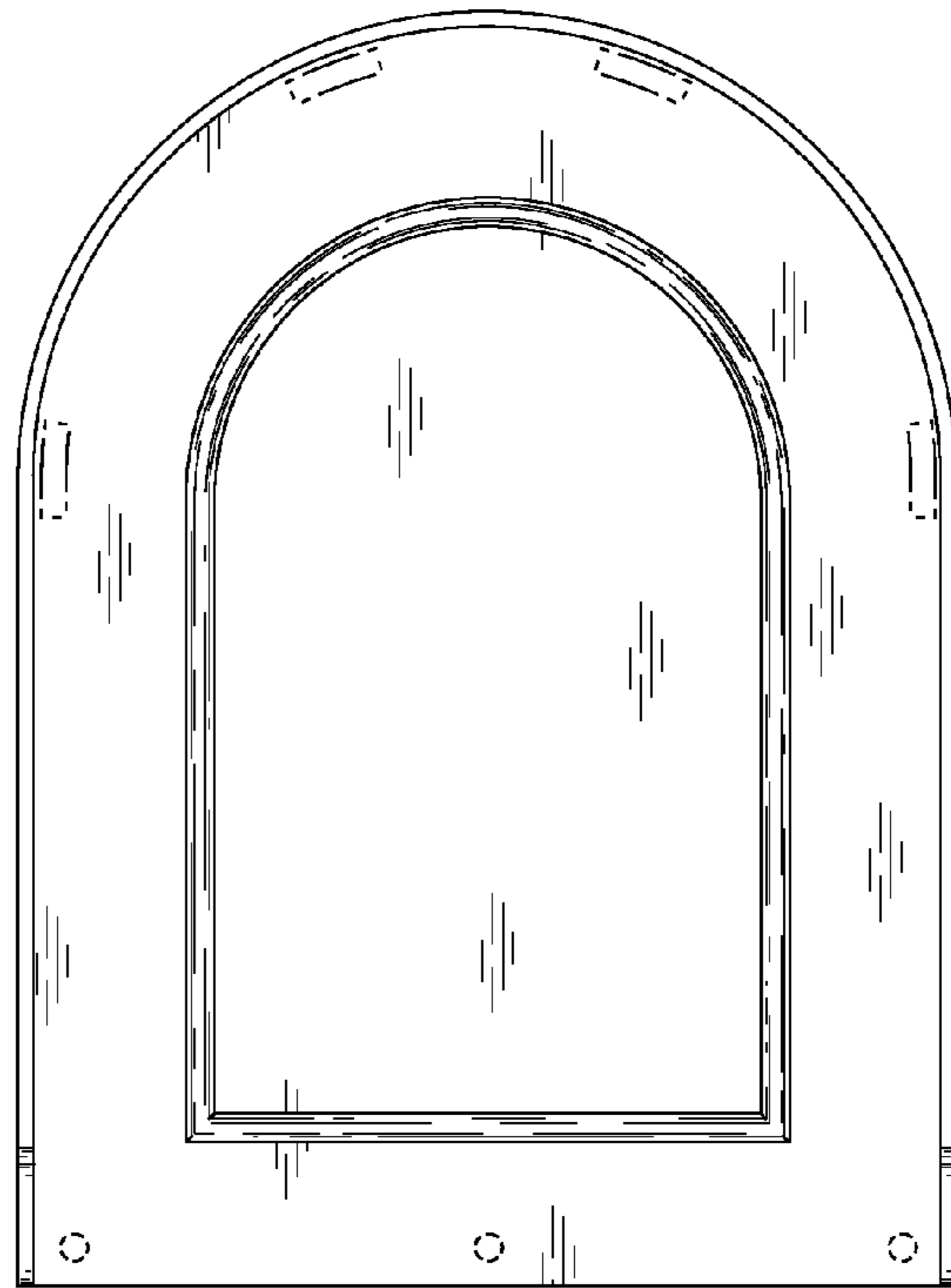


Fig. 3

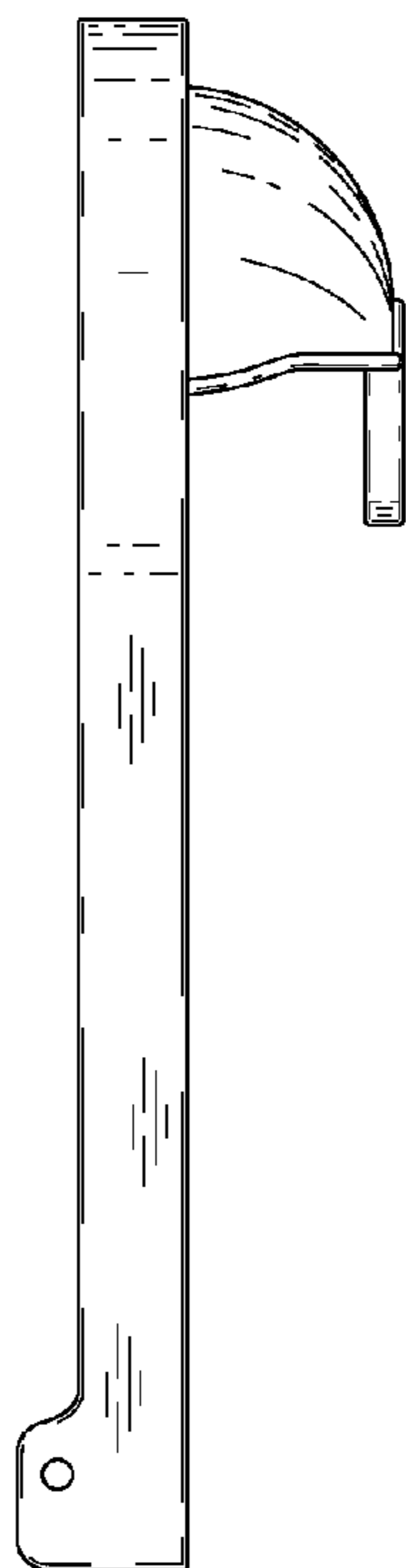


Fig. 4

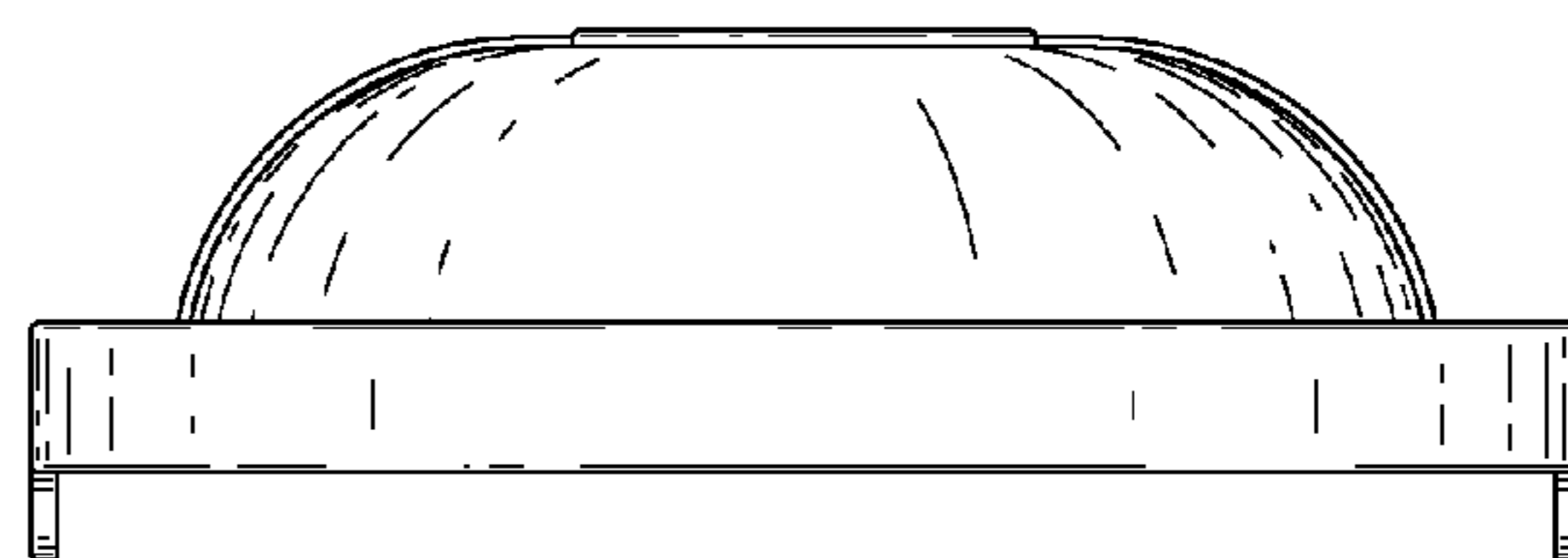


Fig. 5

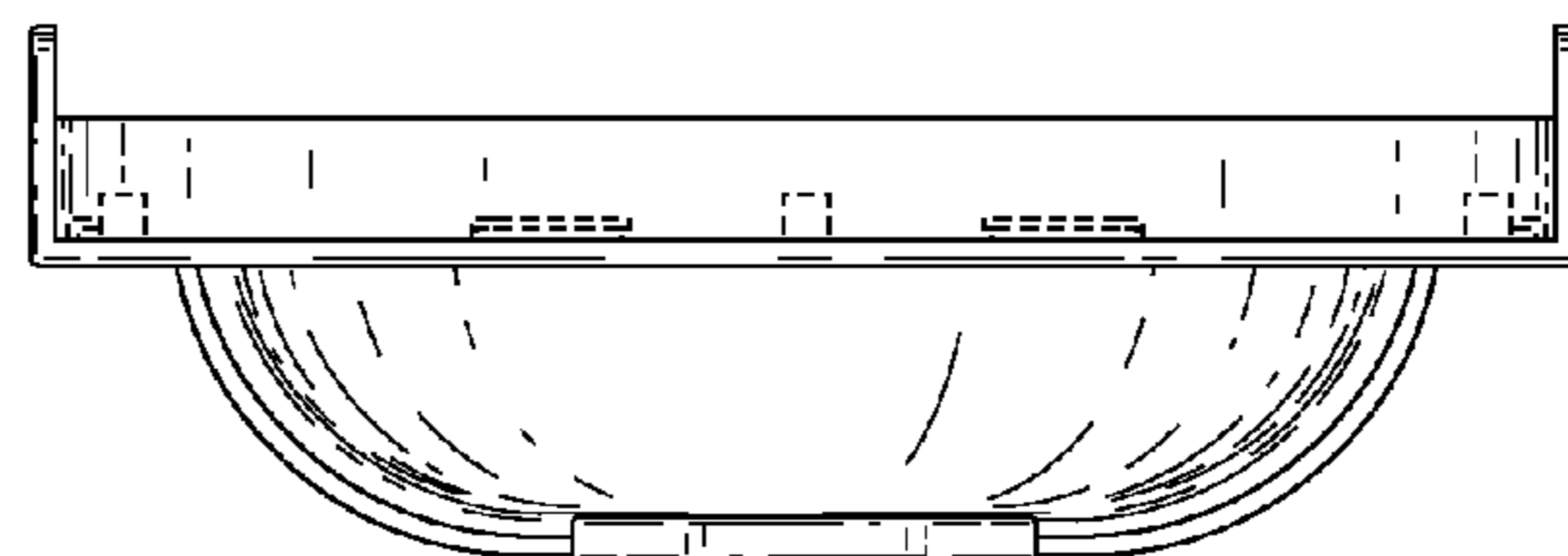


Fig. 6

UNITED STATES PATENT AND TRADEMARK OFFICE
CERTIFICATE OF CORRECTION

PATENT NO. : D652,605 S
APPLICATION NO. : 29/386383
DATED : January 17, 2012
INVENTOR(S) : Farentinos et al.

Page 1 of 1

It is certified that error appears in the above-identified patent and that said Letters Patent is hereby corrected as shown below:

Title Page under the heading DESCRIPTION please insert:

--The dotted lines in the drawings form no part of the claimed design, but are shown to help illustrate an environment in which the claimed design may be used.--

Signed and Sealed this
Thirteenth Day of March, 2012

A handwritten signature in black ink that reads "David J. Kappos". The signature is written in a cursive, slightly slanted style.

David J. Kappos
Director of the United States Patent and Trademark Office