



US00D652603S

(12) **United States Design Patent**
Farentinos et al.

(10) **Patent No.:** **US D652,603 S**
(45) **Date of Patent:** **** Jan. 17, 2012**

(54) **MAILBOX DOOR**

(75) Inventors: **Christopher Andrew Farentinos**,
Redondo Beach, CA (US); **Vanessa**
Felicia Troyer-Farentinos, Redondo
Beach, CA (US); **Emily Jeanne**
Pearson, Santa Monica, CA (US)

(73) Assignee: **Architectural Mailboxes, LLC**,
Redondo Beach, CA (US)

(**) Term: **14 Years**

(21) Appl. No.: **29/386,329**

(22) Filed: **Feb. 28, 2011**

(51) **LOC (9) Cl.** **99-00**

(52) **U.S. Cl.** **D99/43**

(58) **Field of Classification Search** D99/28,
D99/29, 30, 31, 32, 33, 43, 99; D3/272,
D3/294; D6/510; D8/300, 306, 307, 313,
D8/321, 322; 232/1 A, 17, 19-31, 34, 35,
232/37, 38, 39, 44, 45, 47

See application file for complete search history.

(56) **References Cited**

U.S. PATENT DOCUMENTS

1,256,375	A *	2/1918	Ruby	453/54
3,294,057	A *	12/1966	Feil	232/35
3,815,811	A *	6/1974	Harmon	232/35
4,005,816	A *	2/1977	Malik	232/35
4,491,268	A *	1/1985	Faulkingham	232/35
4,524,905	A *	6/1985	Crist	232/35
4,755,915	A *	7/1988	Rogers	362/155
D309,053	S *	7/1990	Shantz	D99/29
4,950,202	A *	8/1990	Florio	446/219
4,991,769	A *	2/1991	Todd	232/17
D332,341	S	1/1993	Mayfield	
D350,004	S *	8/1994	Nicholas	D99/29
D360,741	S *	7/1995	Bohlmann	D99/30
5,449,111	A *	9/1995	Sauzedde et al.	232/17
D376,463	S *	12/1996	Polley et al.	D99/29
D377,256	S *	1/1997	Parrish, Jr.	D99/32

D445,988	S *	7/2001	Gaines et al.	D99/29
D476,791	S *	7/2003	South	D99/29
D477,449	S *	7/2003	South	D99/29
D482,178	S *	11/2003	South	D99/29
D482,179	S *	11/2003	South	D99/29
6,729,535	B2 *	5/2004	Lackey et al.	232/17
6,929,174	B1 *	8/2005	Ly	232/38
D514,270	S *	1/2006	Lackey et al.	D99/30
D517,270	S *	3/2006	Lackey et al.	D99/30
7,090,119	B1 *	8/2006	Lackey et al.	232/45
7,182,244	B2 *	2/2007	Brown	232/38
D563,625	S	3/2008	Bowers	
7,527,190	B1 *	5/2009	Bowers et al.	232/45

OTHER PUBLICATIONS

Brick Mailbox Doors, <http://www.betterboxmailboxes.com/brick-mailboxes-doors.php>, by Better Box Mailboxes, copyright 2011.*
Gladiator Mailbox, <http://www.luxuryhousingtrends.com/archive/2008/10/gladiator.com>, by Luxury Housing Trends, copyright 2005-2010.*

* cited by examiner

Primary Examiner — Elizabeth J Oswecki

(74) *Attorney, Agent, or Firm* — Vista IP Law Group LLP

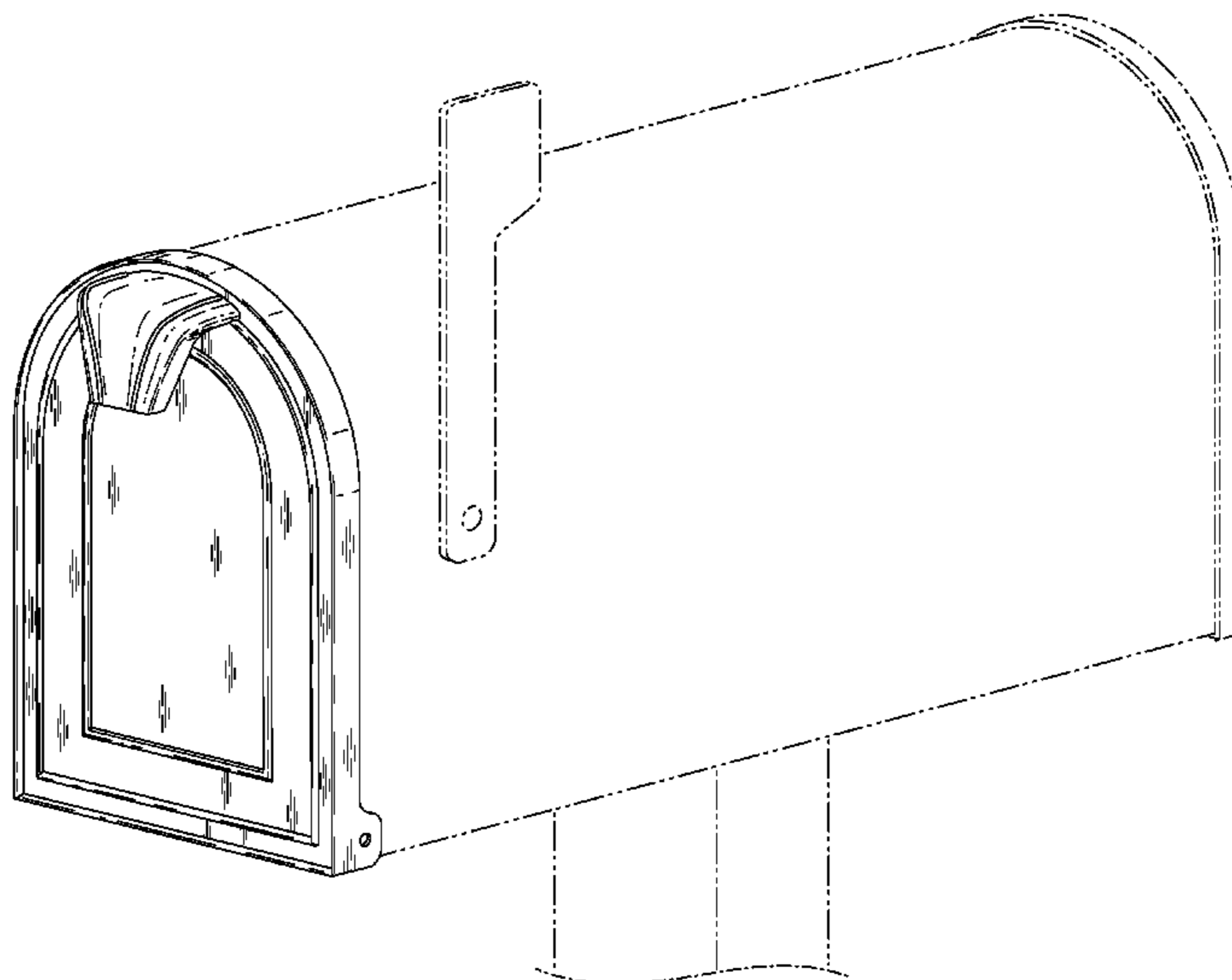
(57) **CLAIM**

The ornamental design for the mailbox door, as shown and described.

DESCRIPTION

FIG. 1 is a front perspective view of a mailbox door showing our new design;
FIG. 2 is a front view thereof;
FIG. 3 is a back view thereof;
FIG. 4 is a right side view thereof, the left side being identical;
FIG. 5 is a top plan view thereof; and,
FIG. 6 is a bottom plan view thereof.
The dotted lines in the drawings form no part of the claimed design, but are shown to help illustrate an environment in which the claimed design may be used.

1 Claim, 2 Drawing Sheets



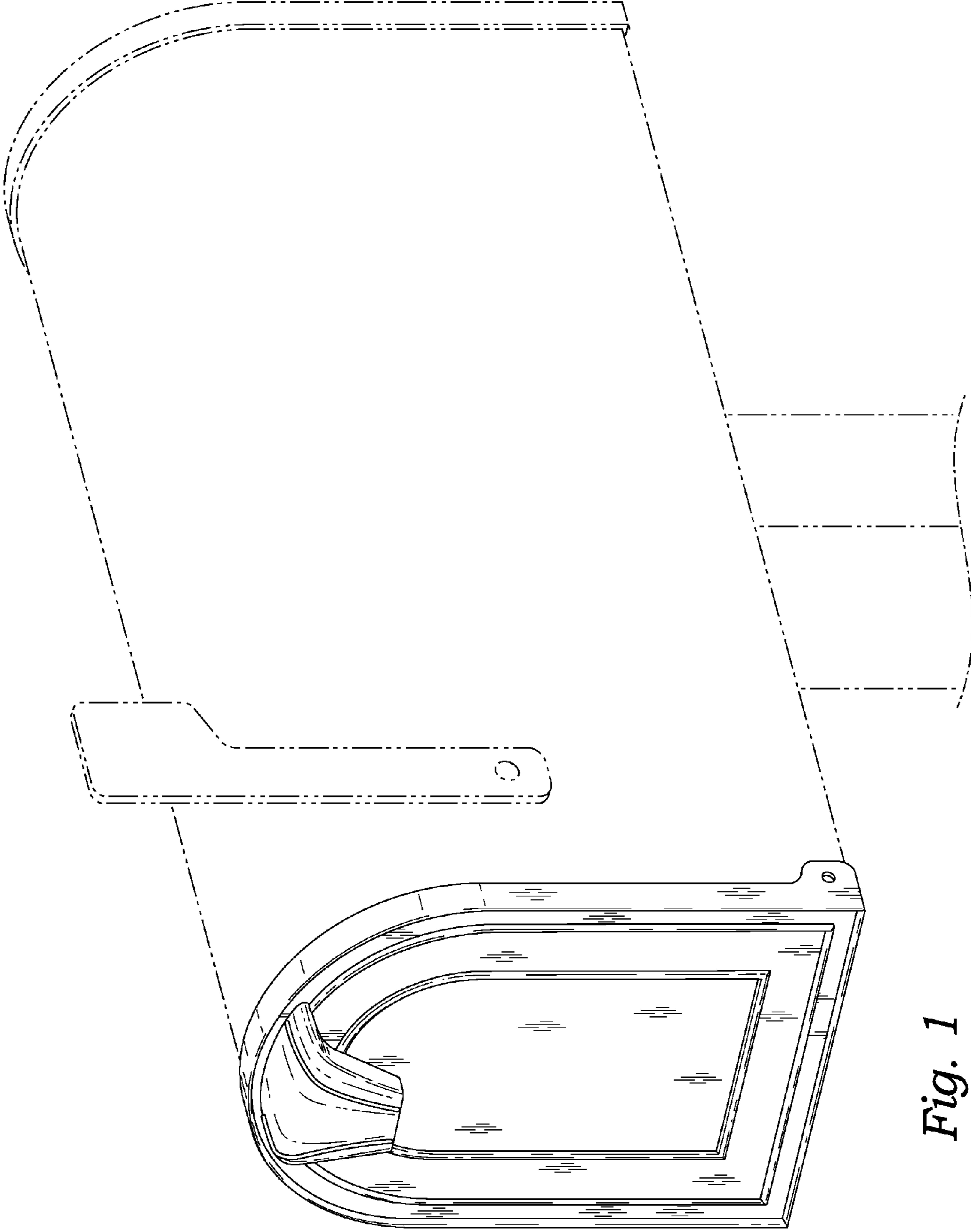


Fig. 1

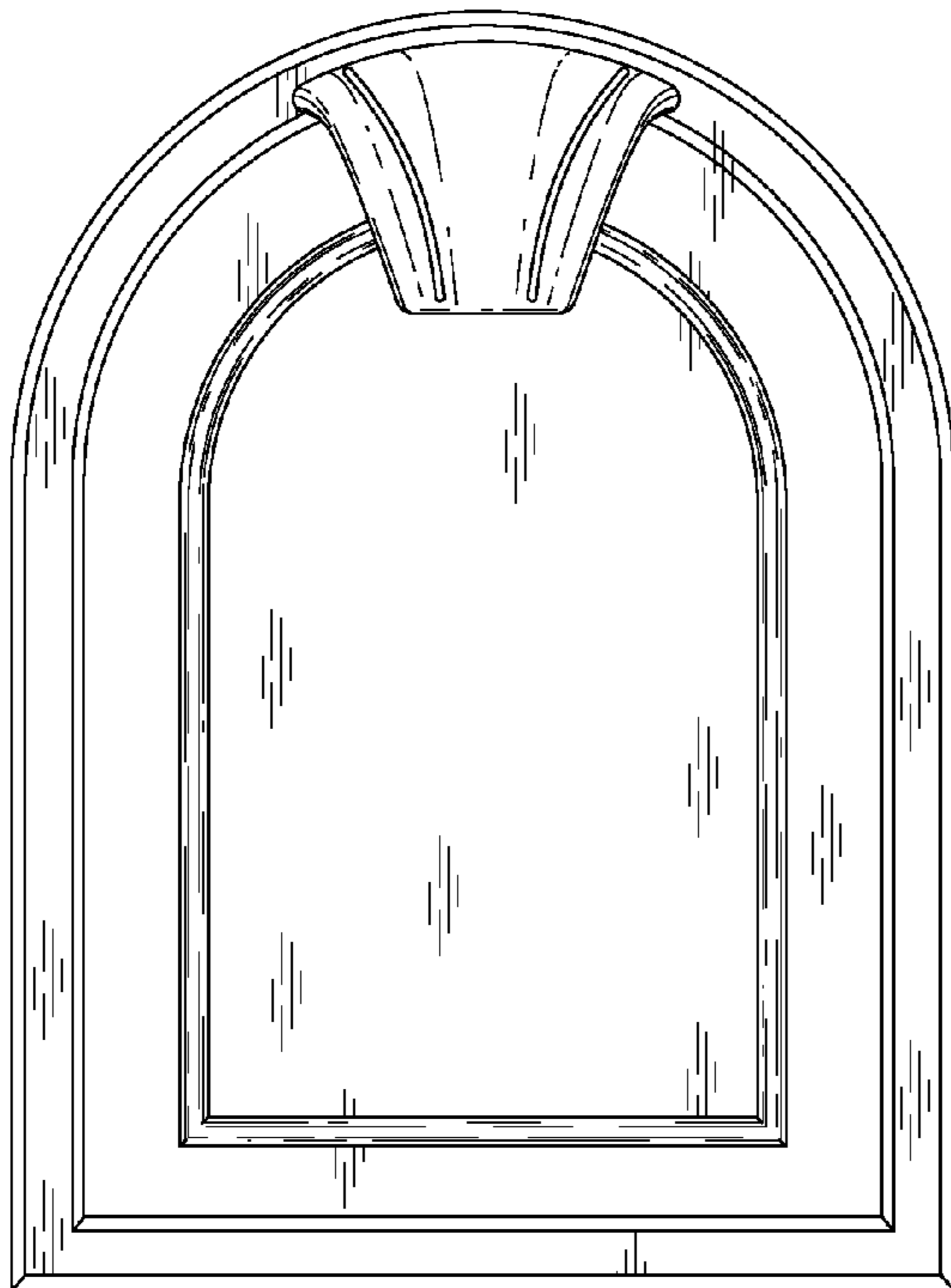


Fig. 2

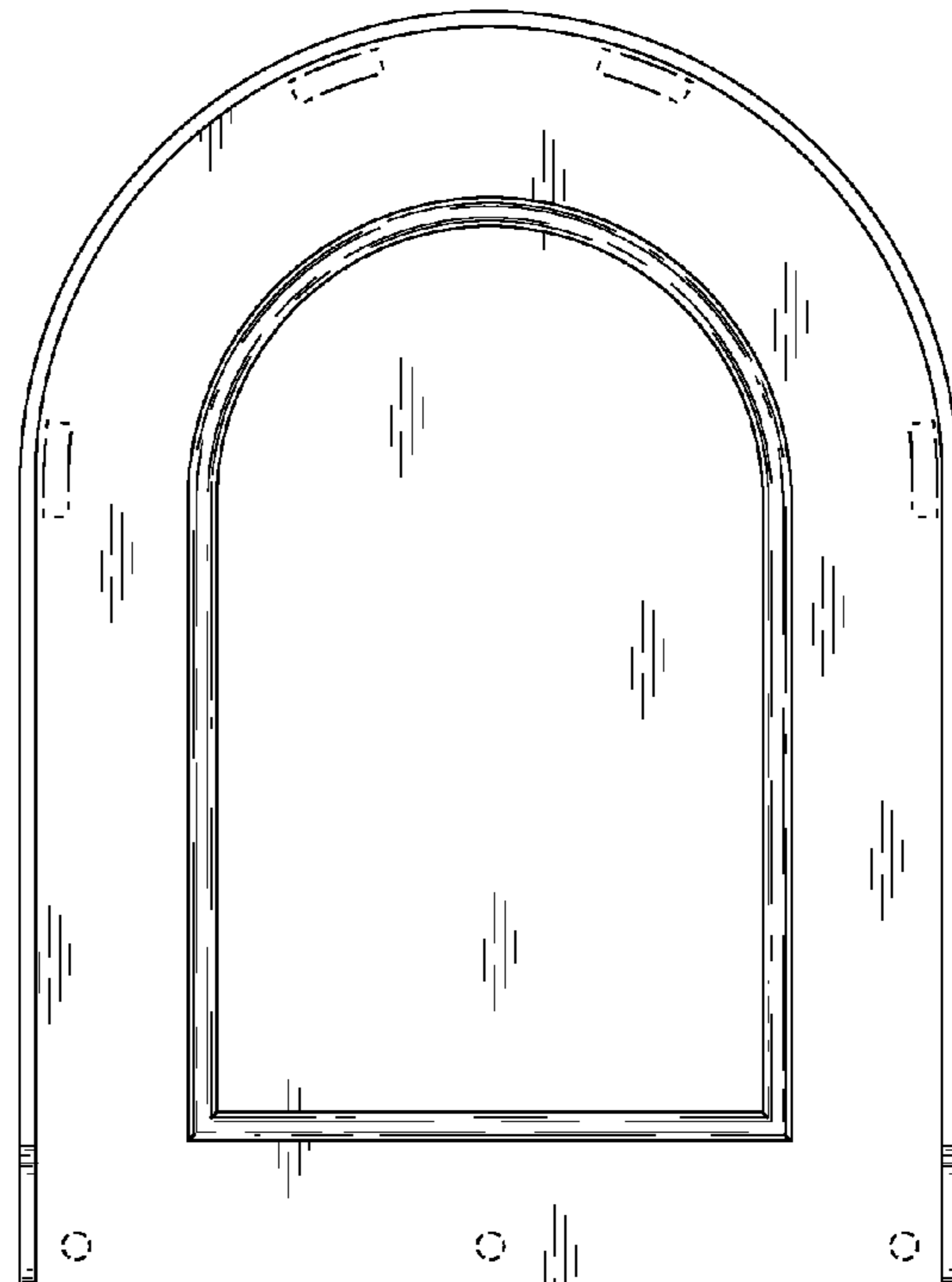


Fig. 3

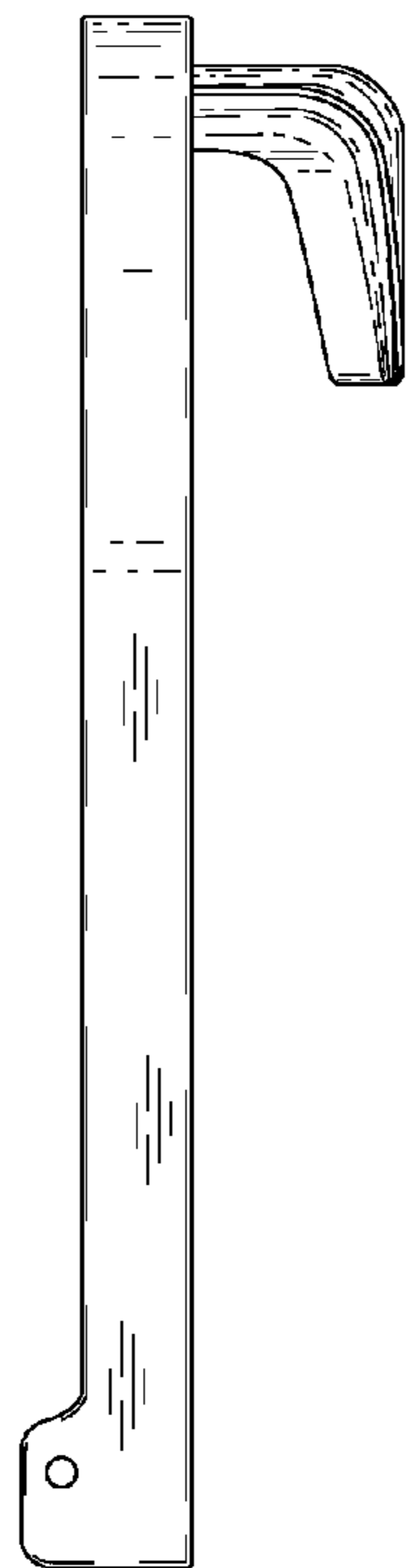


Fig. 4

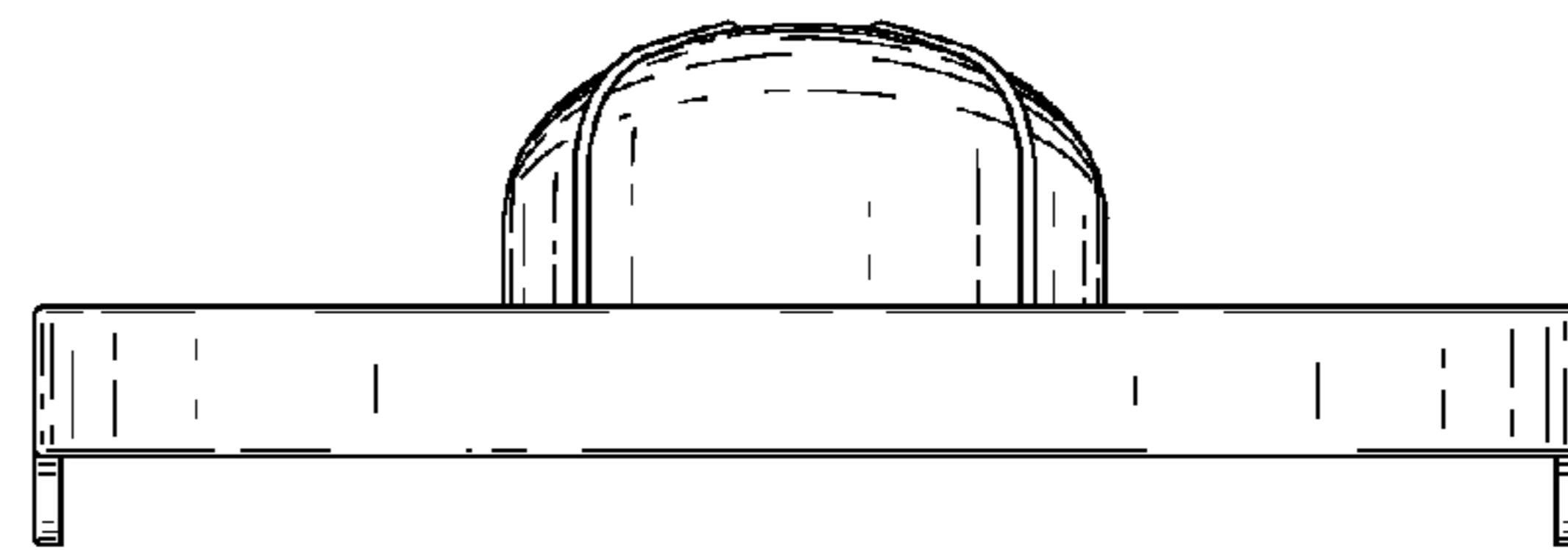


Fig. 5

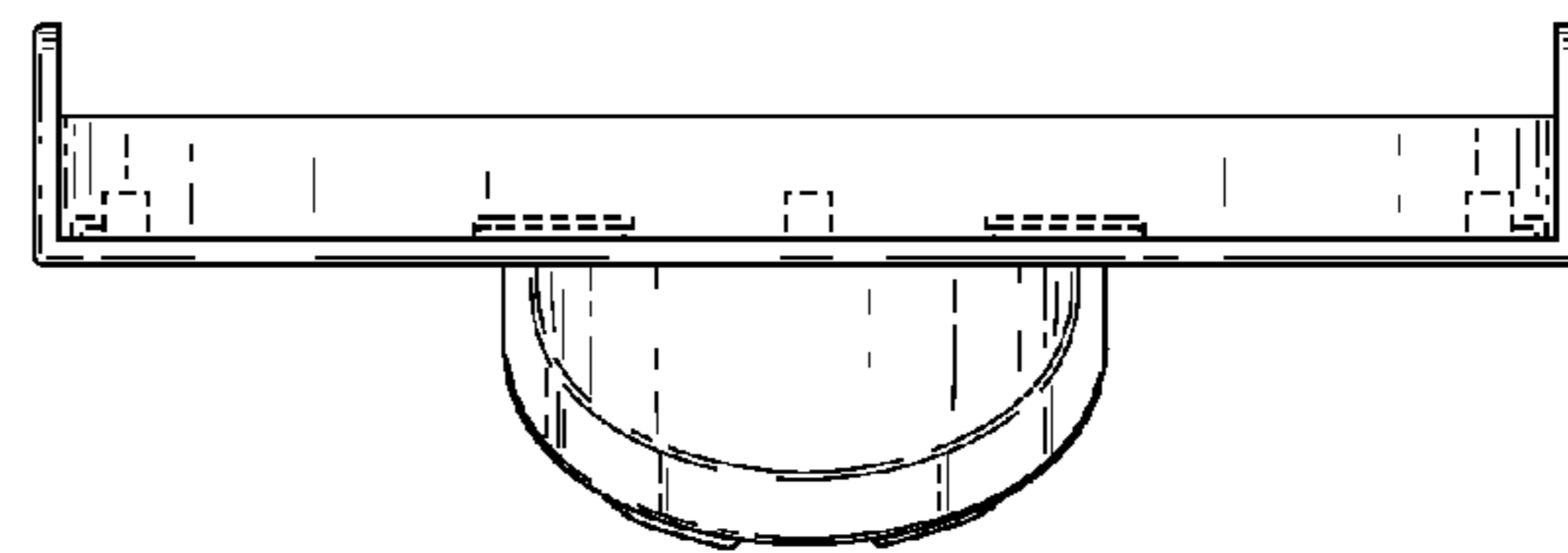


Fig. 6