



US00D652600S

(12) **United States Design Patent**
Chu

(10) **Patent No.:** **US D652,600 S**
(45) **Date of Patent:** **** Jan. 17, 2012**

- (54) **TRASH RECEPTACLE**
- (75) Inventor: **Frank Chu**, San Francisco, CA (US)
- (73) Assignee: **Alternate Choice, LLC**, San Francisco, CA (US)
- (**) Term: **14 Years**
- (21) Appl. No.: **29/360,198**
- (22) Filed: **Apr. 21, 2010**

- D171,420 S 2/1954 Panzer
 - 2,786,595 A 3/1957 Nelson
 - 2,910,073 A 10/1959 Lookholder
 - 3,315,686 A 4/1967 Farhood
 - 3,394,712 A 7/1968 Herr et al.
- (Continued)

OTHER PUBLICATIONS

U.S. Appl. No. 29/325,411, filed Sep. 30, 2008 in the name of Frank Chu, Notice of Allowance mailed Dec. 7, 2009.

(Continued)

Related U.S. Application Data

- (62) Division of application No. 29/325,566, filed on Oct. 2, 2008, now Pat. No. Des. 616,623.
- (51) **LOC (9) Cl.** **09-09**
- (52) **U.S. Cl.** **D34/5; D34/1**
- (58) **Field of Classification Search** D34/1, D34/5, 6, 7, 8, 9, 10, 11; 220/908-913
See application file for complete search history.

Primary Examiner — Cynthia Ramirez

(74) *Attorney, Agent, or Firm* — Levine Bagade Han LLP

(57) **CLAIM**

The ornamental design for a trash receptacle, as shown and described.

DESCRIPTION

FIG. 1 is a top front perspective view of a trash receptacle showing our new design;
 FIG. 2 is a front view of the trash receptacle shown in FIG. 1;
 FIG. 3 is a left side view of the trash receptacle shown in FIG. 1;
 FIG. 4 is a right side view of the trash receptacle shown in FIG. 1;
 FIG. 5 is a back side view of the trash receptacle shown in FIG. 1;
 FIG. 6 is a top perspective view of the trash receptacle of FIG. 1, shown with the door in an open position;
 FIG. 7 is a top view of the trash receptacle shown in FIG. 1; and,
 FIG. 8 is a bottom view of the trash receptacle shown in FIG. 1.

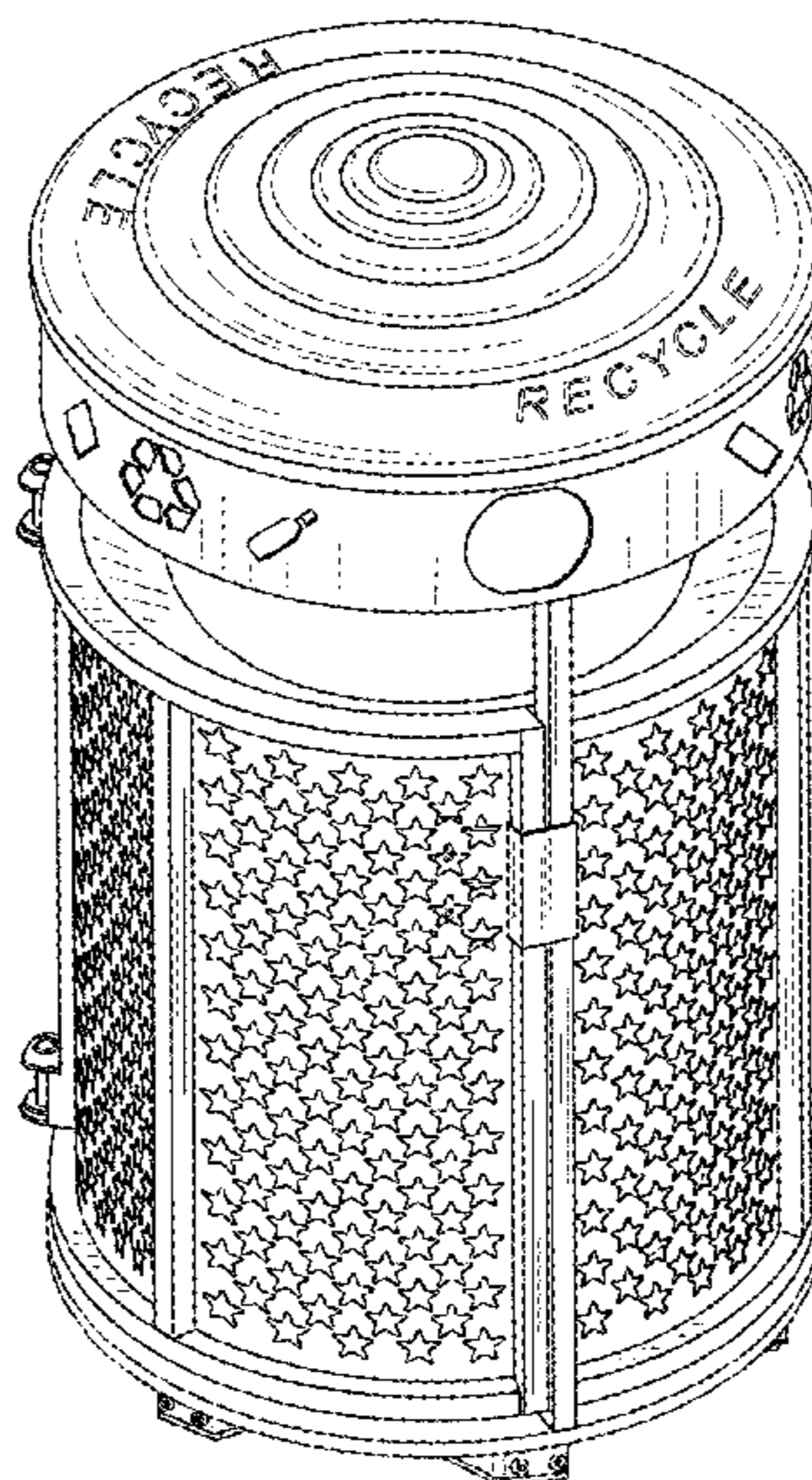
All features illustrated in phantom line are expressly disclaimed and form no part of the claimed design.

(56) **References Cited**

U.S. PATENT DOCUMENTS

- | | | |
|-------------|---------|-------------------|
| 199,245 A | 1/1878 | Williamson et al. |
| D17,296 S | 5/1887 | Putnam et al. |
| 512,261 A | 1/1894 | Nailor |
| 540,530 A | 6/1895 | Willson |
| 1,013,504 A | 1/1912 | McNamara |
| 1,237,016 A | 8/1917 | Brown |
| 1,772,176 A | 8/1930 | Benjamin |
| 1,812,158 A | 6/1931 | Lewis |
| 1,828,068 A | 10/1931 | Pringle |
| 1,830,543 A | 11/1931 | Heise |
| 1,999,289 A | 4/1935 | Glomb |
| D101,882 S | 11/1936 | Muzzo |
| D112,637 S | 12/1938 | Greier |
| 2,255,428 A | 9/1941 | Leiman |
| 2,279,026 A | 4/1942 | Tomsic |
| 2,280,543 A | 4/1942 | Saunders |
| 2,507,443 A | 5/1950 | Hunt |
| 2,592,676 A | 4/1952 | Franklin |

1 Claim, 7 Drawing Sheets



US D652,600 S

Page 2

U.S. PATENT DOCUMENTS

| | | | | | | | |
|-----------|----|---------|-----------------|--------------|----|---------|-----------------|
| 3,404,693 | A | 10/1968 | Chapman | D510,468 | S | 10/2005 | Hardy et al. |
| D220,017 | S | 2/1971 | Laughlin | 7,073,515 | B2 | 7/2006 | Mayfield et al. |
| 4,497,329 | A | 2/1985 | O'Dell | 7,171,968 | B1 | 2/2007 | Olson |
| D283,592 | S | 4/1986 | Quarrell et al. | D540,620 | S | 4/2007 | Bushkovsky |
| D289,722 | S | 5/1987 | Neiser | D542,993 | S | 5/2007 | Skalka |
| D305,193 | S | 12/1989 | Sajadieh | D547,020 | S | 7/2007 | Chen |
| D327,965 | S | 7/1992 | Chelec | D548,890 | S | 8/2007 | Chen |
| D330,446 | S | 10/1992 | Verzicco et al. | D551,821 | S | 9/2007 | Wang et al. |
| D331,824 | S | 12/1992 | Haas | D559,494 | S | 1/2008 | Yang et al. |
| D372,146 | S | 7/1996 | Svee | D562,521 | S | 2/2008 | Renard |
| D373,217 | S | 8/1996 | Adams et al. | D566,328 | S | 4/2008 | Catron |
| 5,601,095 | A | 2/1997 | Bright | D573,769 | S | 7/2008 | Skalka |
| D381,782 | S | 7/1997 | Bright | D608,966 | S | 1/2010 | Chu |
| 5,647,381 | A | 7/1997 | Rainer | D610,766 | S | 2/2010 | Chu |
| 6,161,549 | A | 12/2000 | Lee | D616,623 | S | 5/2010 | Chu |
| D453,252 | S | 1/2002 | Lin | D620,665 | S | 7/2010 | Chu |
| 6,345,725 | B1 | 2/2002 | Lin | D621,568 | S | 8/2010 | Chu |
| D462,997 | S | 9/2002 | Slater et al. | D622,470 | S | 8/2010 | Chu |
| D464,184 | S | 10/2002 | Skalka | 2005/0005945 | A1 | 1/2005 | Shaw et al. |
| D469,753 | S | 2/2003 | Andre et al. | 2005/0241655 | A1 | 11/2005 | Goldberg |
| D472,355 | S | 3/2003 | Keller | 2005/0274389 | A1 | 12/2005 | Keller |
| D476,454 | S | 6/2003 | Skalka | 2006/0196924 | A1 | 9/2006 | Cabalu |
| D476,455 | S | 6/2003 | Skalka | 2007/0012326 | A1 | 1/2007 | Kerns |
| D476,457 | S | 6/2003 | Verbeek | 2008/0029108 | A1 | 2/2008 | Catron et al. |
| D480,854 | S | 10/2003 | Hardy et al. | | | | |
| D480,856 | S | 10/2003 | Hardy et al. | | | | |
| D483,538 | S | 12/2003 | Skalka | | | | |
| D484,639 | S | 12/2003 | Fortner | | | | |
| D488,901 | S | 4/2004 | Skalka | | | | |
| D494,722 | S | 8/2004 | Lin | | | | |
| D496,139 | S | 9/2004 | Hardy et al. | | | | |
| D496,140 | S | 9/2004 | Hardy et al. | | | | |
| D497,231 | S | 10/2004 | Hardy et al. | | | | |
| D502,583 | S | 3/2005 | Hardy et al. | | | | |
| D507,687 | S | 7/2005 | Moon et al. | | | | |

OTHER PUBLICATIONS

U.S. Appl. No. 29/321,532, filed Jul. 18, 2008 in the name of Frank Chu, Notice of Allowance mailed Dec. 7, 2009.
U.S. Appl. No. 29/325,566, filed Oct. 2, 2008 in the name of Frank Chu, Notice of Allowance mailed Jan. 19, 2010.
U.S. Appl. No. 29/360,160, filed Apr. 21, 2010 in the name of Frank Chu, Notice of Allowance mailed May 19, 2010.
U.S. Appl. No. 29/360,193, filed Apr. 21, 2010 in the name of Frank Chu, Notice of Allowance mailed Jun. 18, 2010.
U.S. Appl. No. 29/360,197, filed Apr. 21, 2010 in the name of Frank Chu, Notice of Allowance mailed Jun. 11, 2010.

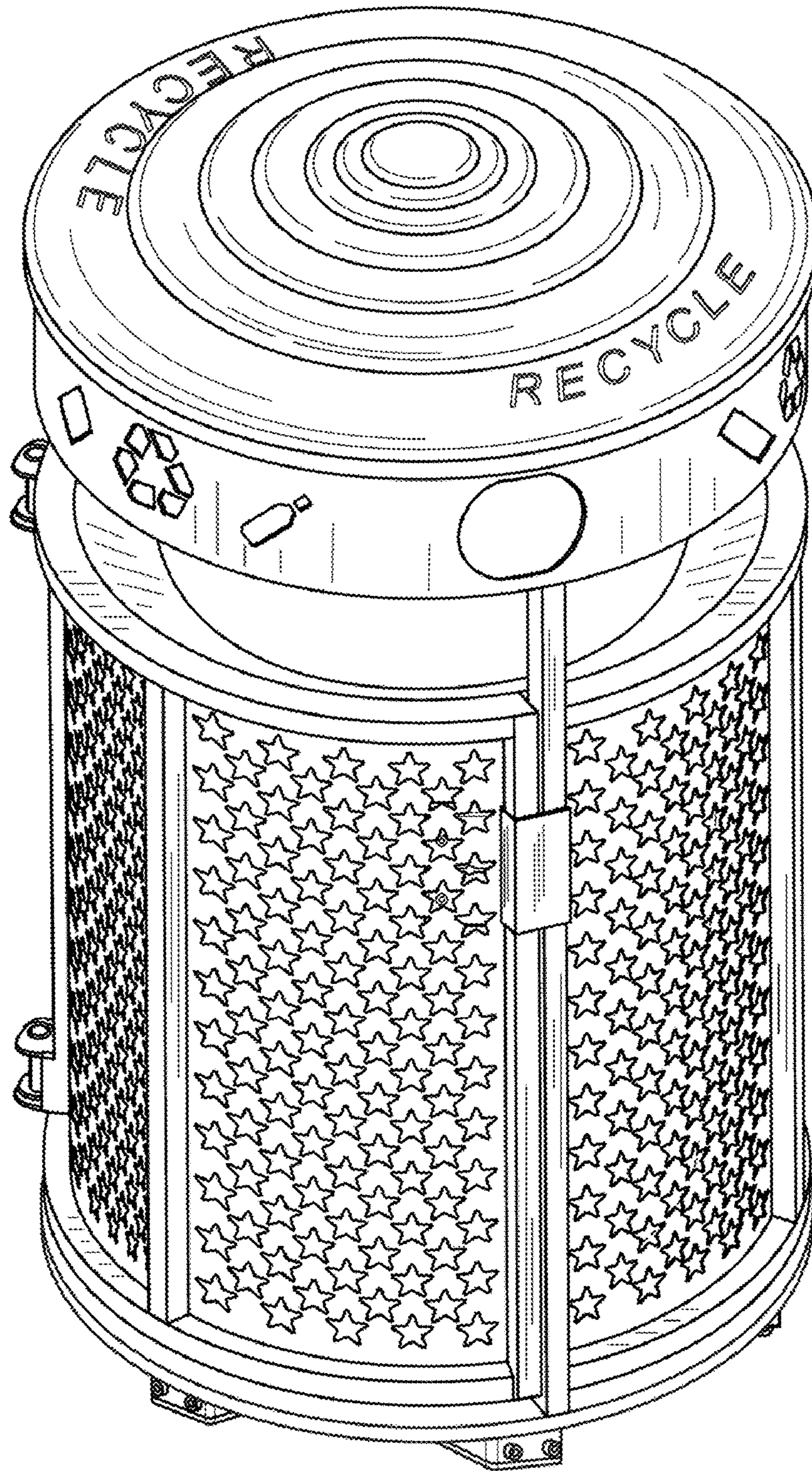


FIG. 1

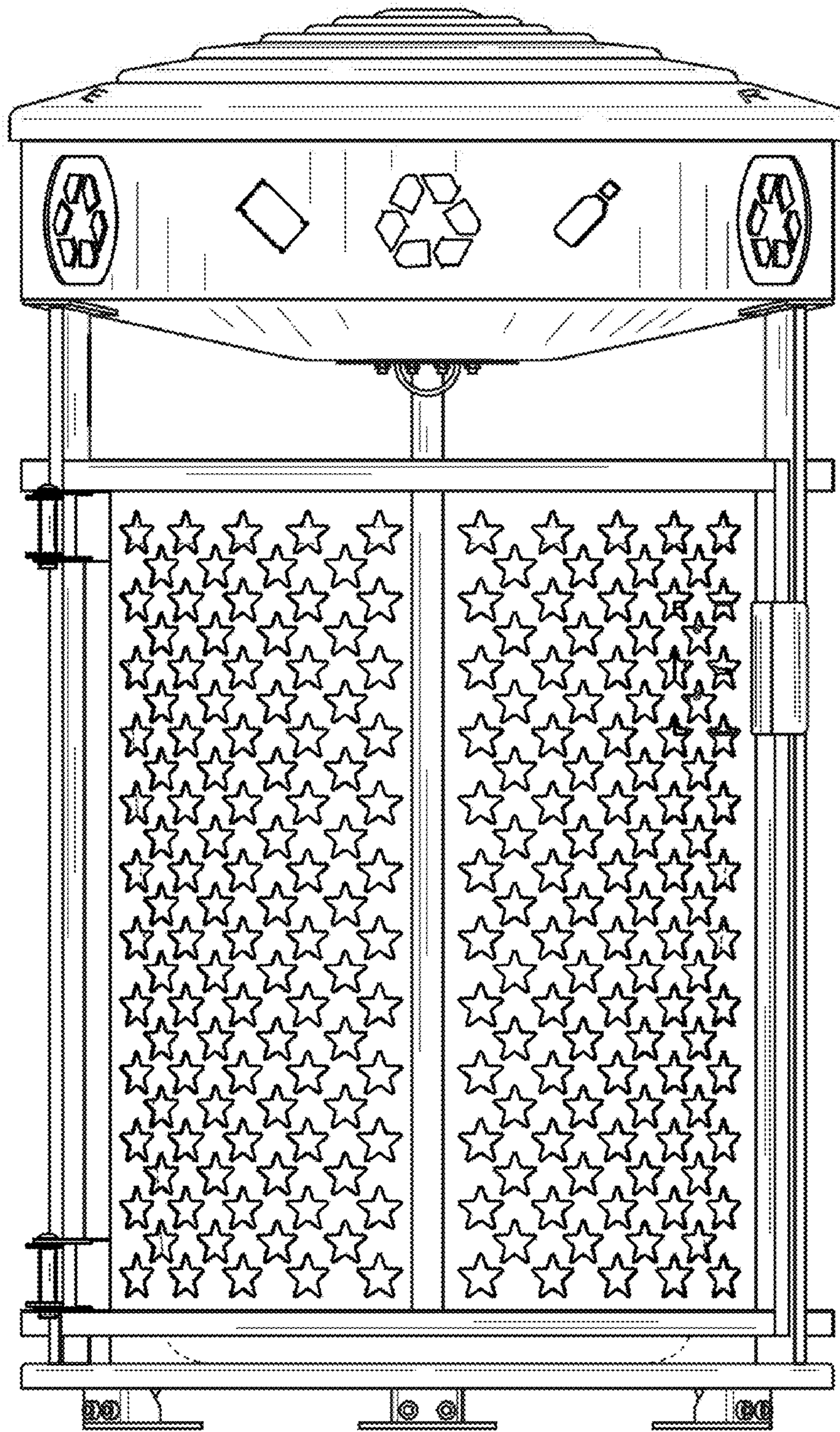


FIG. 2

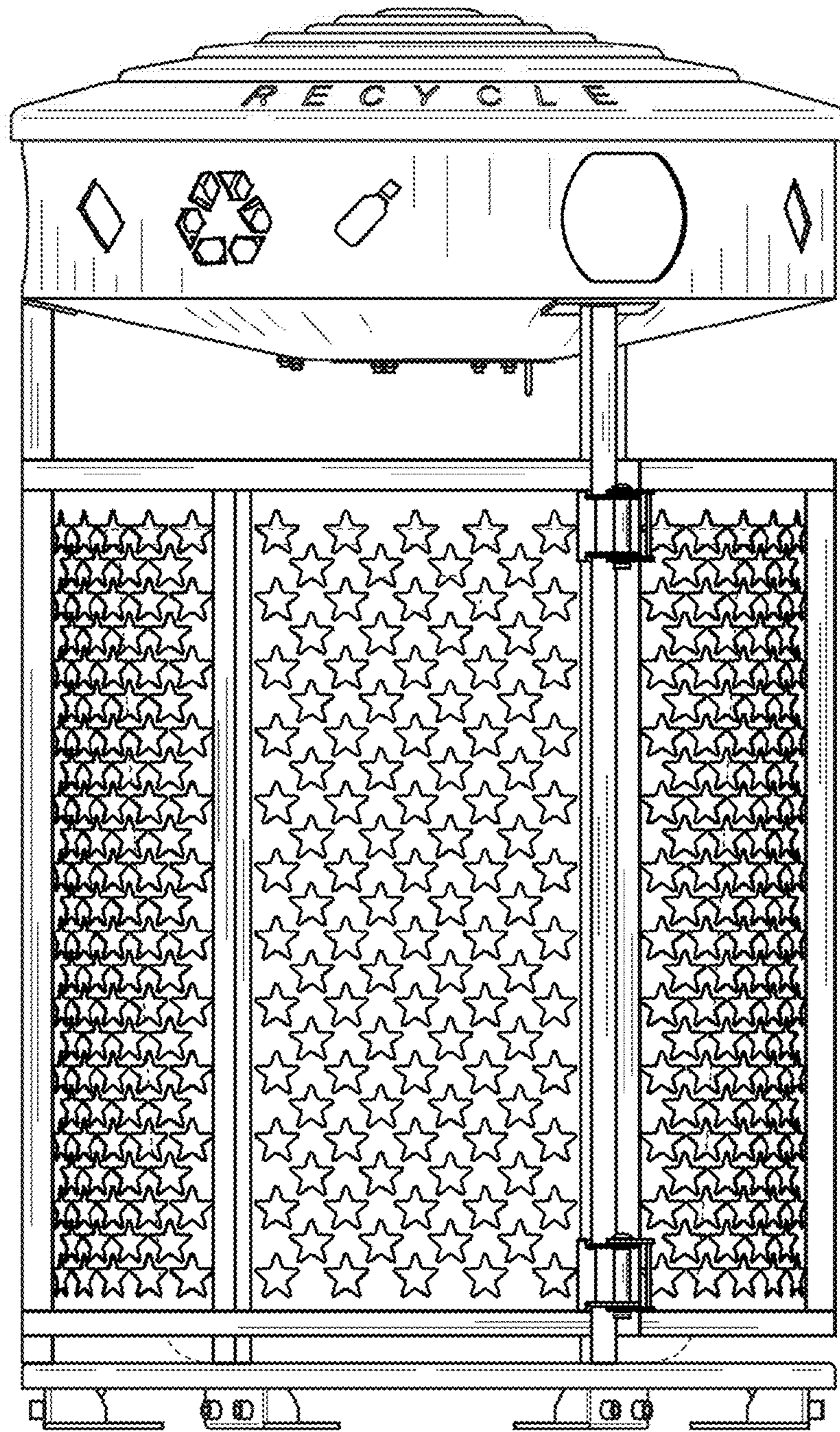


FIG. 3

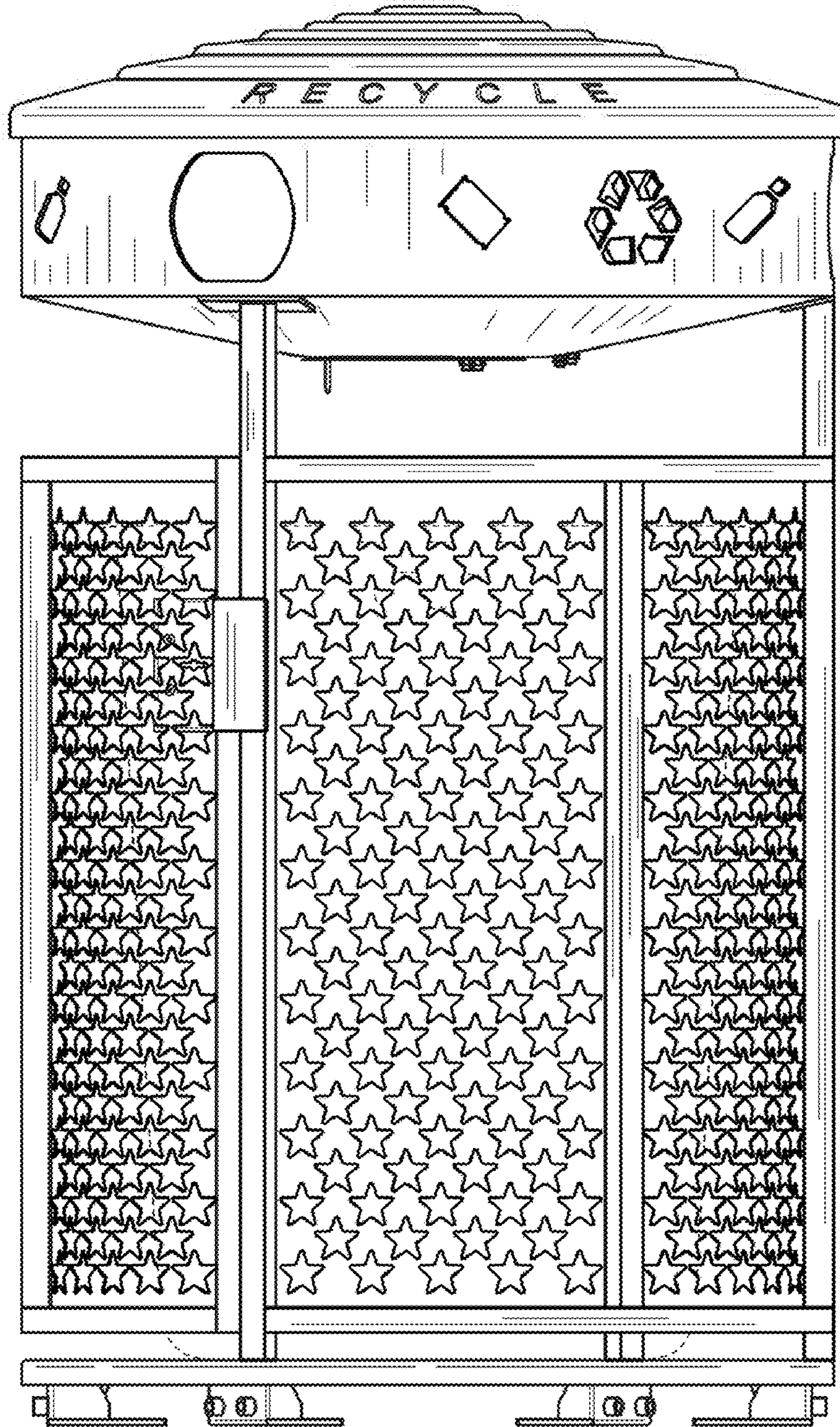


FIG. 4

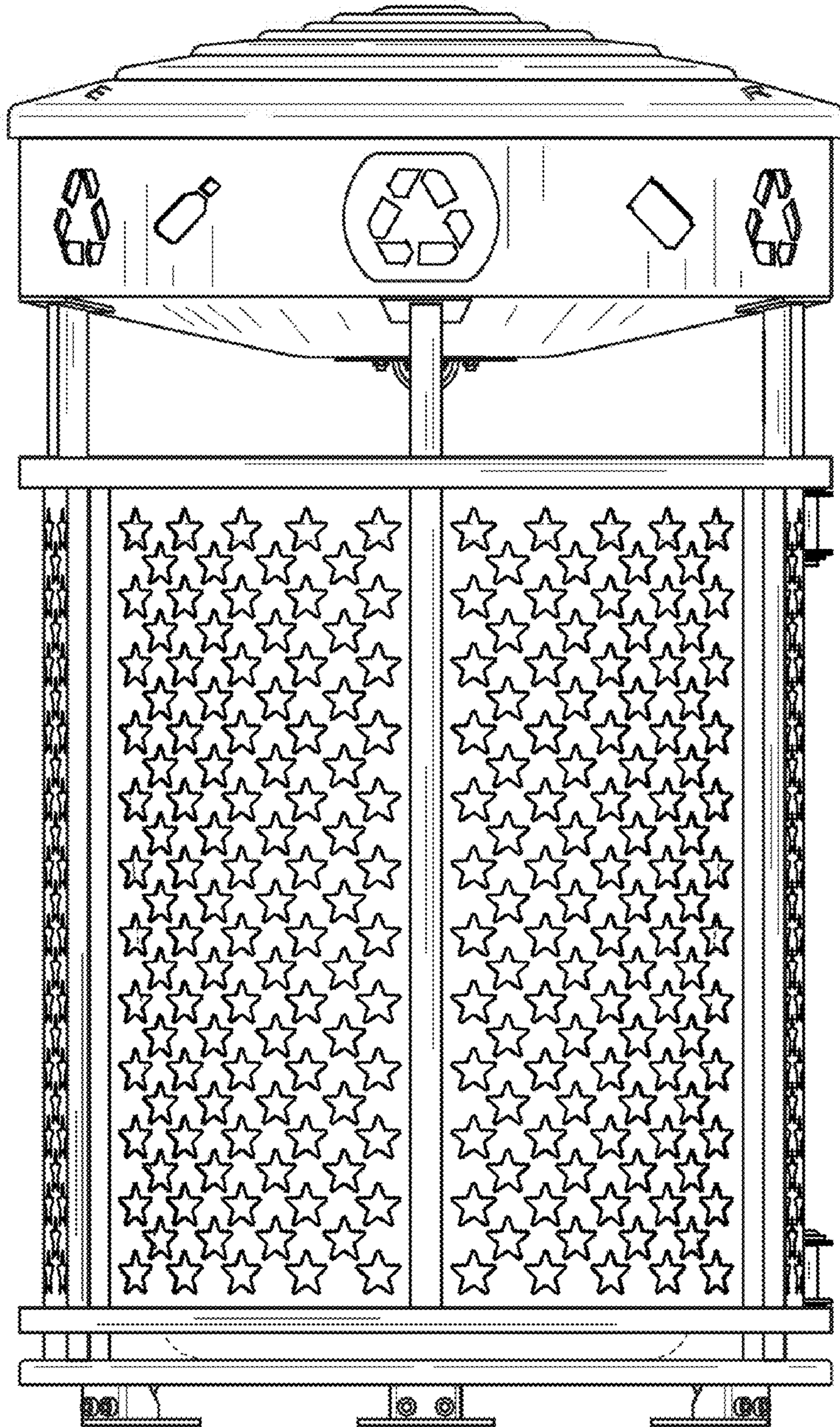


FIG. 5

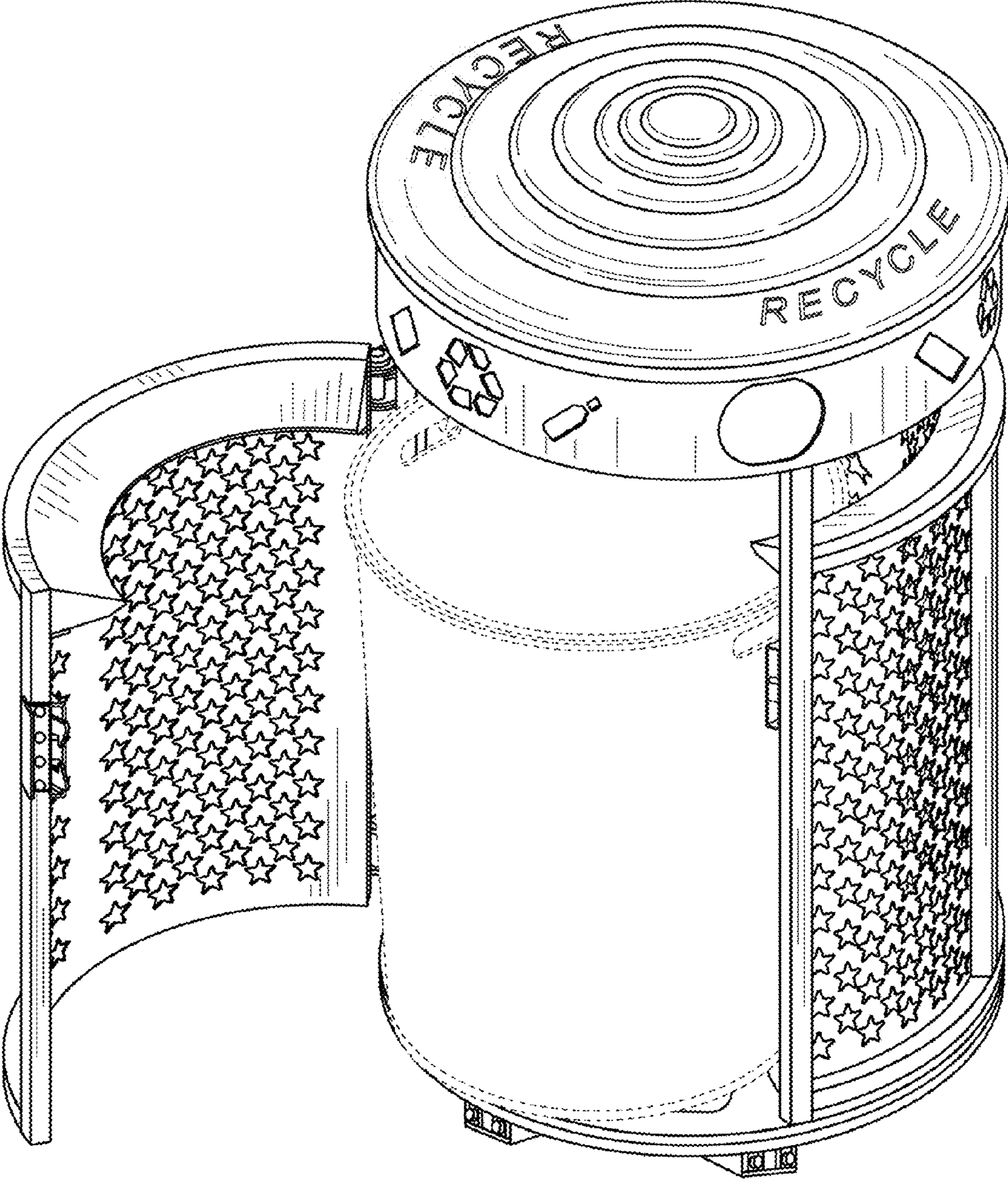


FIG. 6

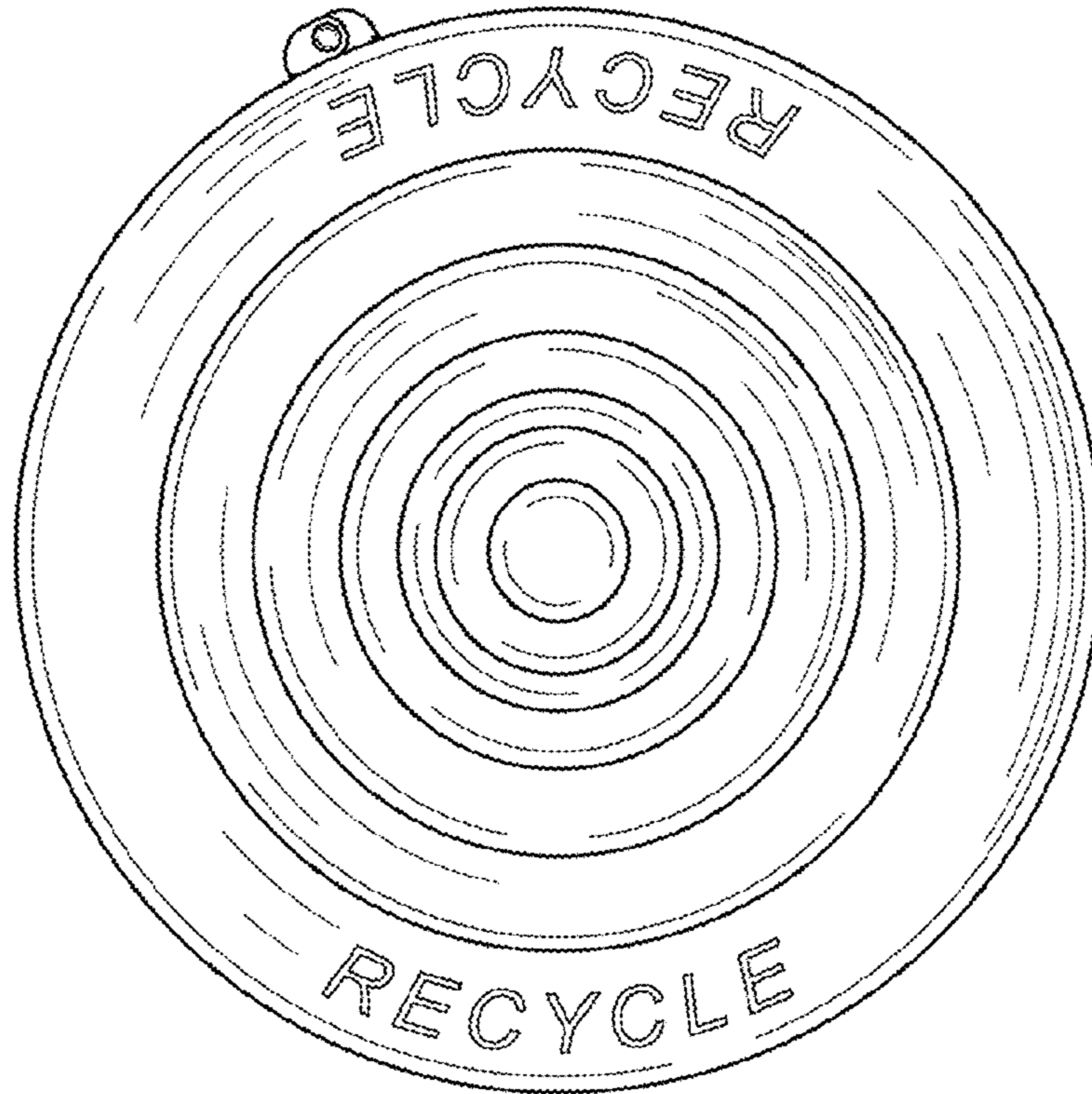


FIG. 7

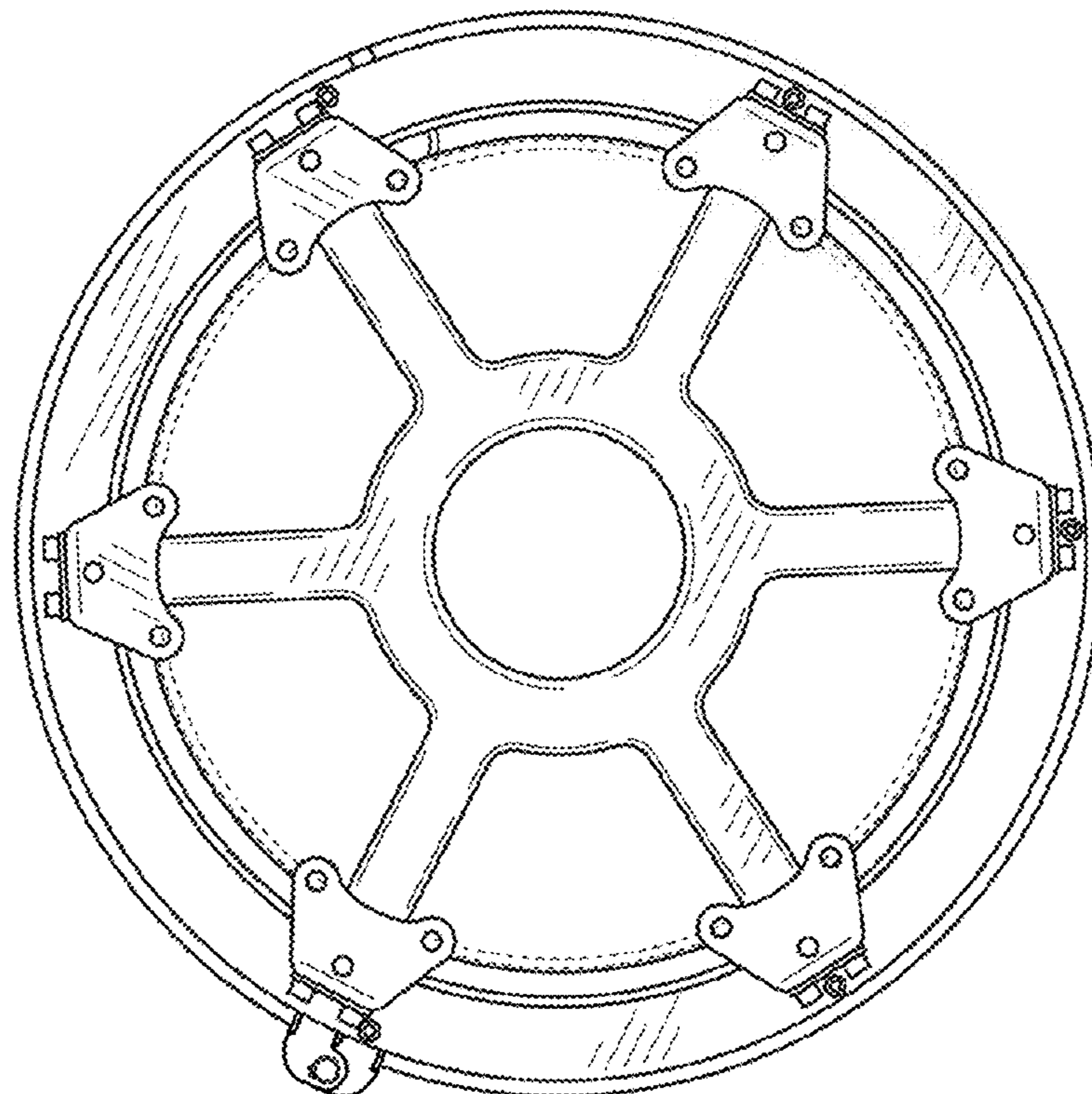


FIG. 8