



US00D652597S

(12) **United States Design Patent**
Clark, Jr.

(10) **Patent No.:** **US D652,597 S**
(45) **Date of Patent:** **** Jan. 17, 2012**

(54) **GUSSETED PAINT TRAY WITH SLOTS FOR SUPPORTING A BRUSH WIPE**

DESCRIPTION

(76) Inventor: **Henry R. Clark, Jr.**, Orange Park, FL (US)

(**) Term: **14 Years**

(21) Appl. No.: **29/399,647**

(22) Filed: **Aug. 17, 2011**

(51) **LOC (9) Cl.** **07-07**

(52) **U.S. Cl.** **D32/53.1**

(58) **Field of Classification Search** D32/53,
D32/53.1, 54; 15/257.06; 220/495.01, 495.02,
220/570

See application file for complete search history.

(56) **References Cited**

U.S. PATENT DOCUMENTS

D401,704 S	*	11/1998	Clark	D32/53.1
D457,995 S	*	5/2002	Clark	D32/53.1
D470,634 S	*	2/2003	Rajdl	D32/53.1
D481,502 S	*	10/2003	Clark	D32/53.1
D606,720 S	*	12/2009	Bergman	D32/53
D629,986 S	*	12/2010	Clark	D32/53.1

* cited by examiner

Primary Examiner — Robin V Webster

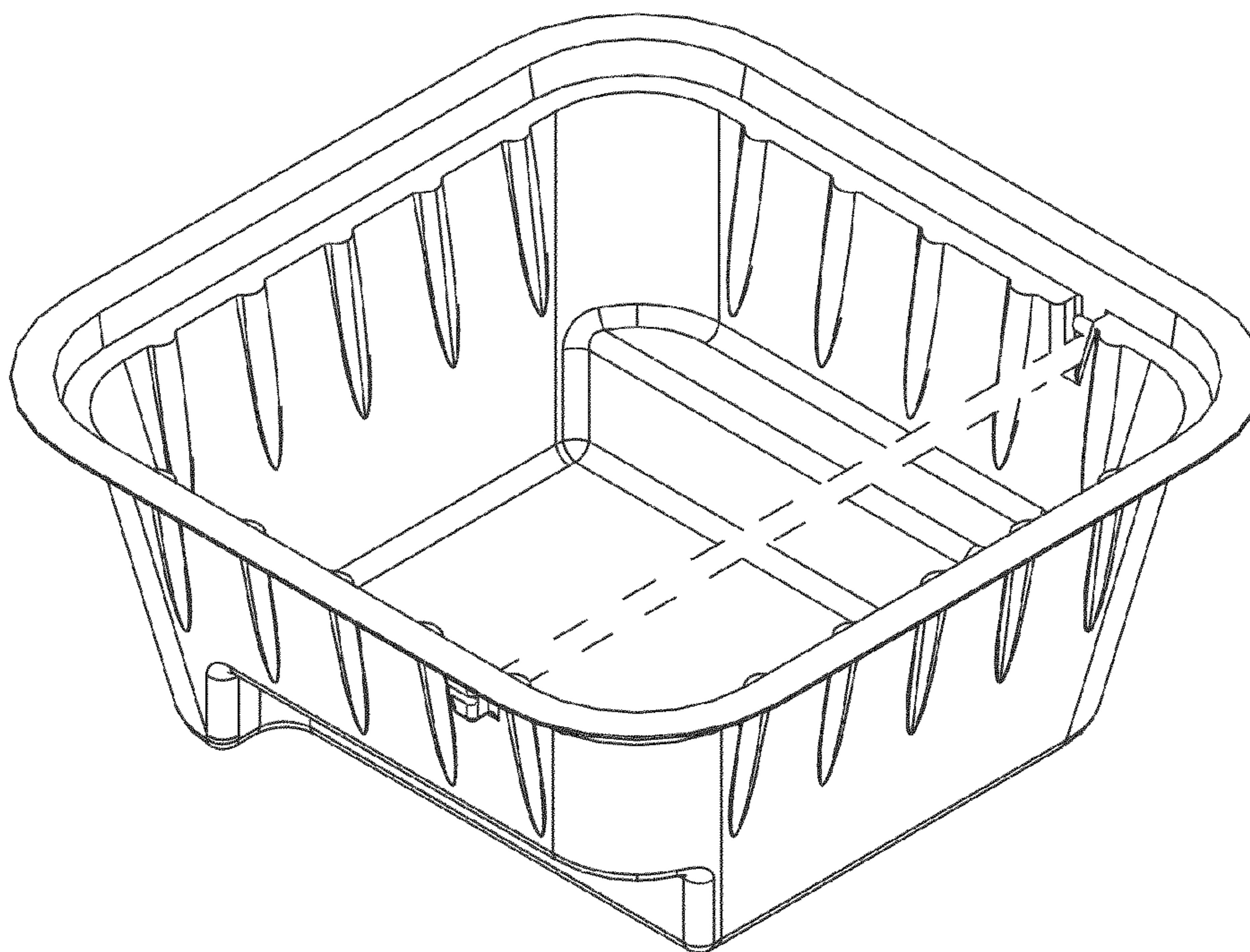
(74) *Attorney, Agent, or Firm* — Mark Young, P.A.

(57) **CLAIM**

The ornamental design for a gusseted paint tray with slots for supporting a brush wipe, as shown and described.

FIG. 1 is plan view of a paint tray.
 FIG. 2 is a left side view of the paint tray shown in FIG. 1.
 FIG. 3 is a front side view of the paint tray shown in FIG. 1.
 FIG. 4 is a bottom view of the paint tray shown in FIG. 1.
 FIG. 5 is a back side view of the paint tray shown in FIG. 1.
 FIG. 6 is a right side view of the paint tray shown in FIG. 1.
 FIG. 7 is a first perspective view of the paint tray shown in FIG. 1.
 FIG. 8 is a second perspective view of the paint tray shown in FIG. 1.
 FIG. 9 is a third perspective view of the paint tray shown in FIG. 1.
 FIG. 10 is a fourth perspective view of the paint tray shown in FIG. 1.
 FIG. 11 is a left side section view of the paint tray shown in FIG. 1.
 FIG. 12 is a front side section view of the paint tray shown in FIG. 1.
 FIG. 13 is a back side section view of the paint tray shown in FIG. 1.
 FIG. 14 is a right side section view of the paint tray shown in FIG. 1.
 FIG. 15 is another plan view of the paint tray shown in FIG. 1.
 FIG. 16 is another perspective view of the paint tray shown in FIG. 1; and,
 FIG. 17 is another perspective view of the paint tray shown in FIG. 1.
 All broken lines showing are included for the purpose of illustrating environmental structure and form no part of the claimed design.

1 Claim, 17 Drawing Sheets



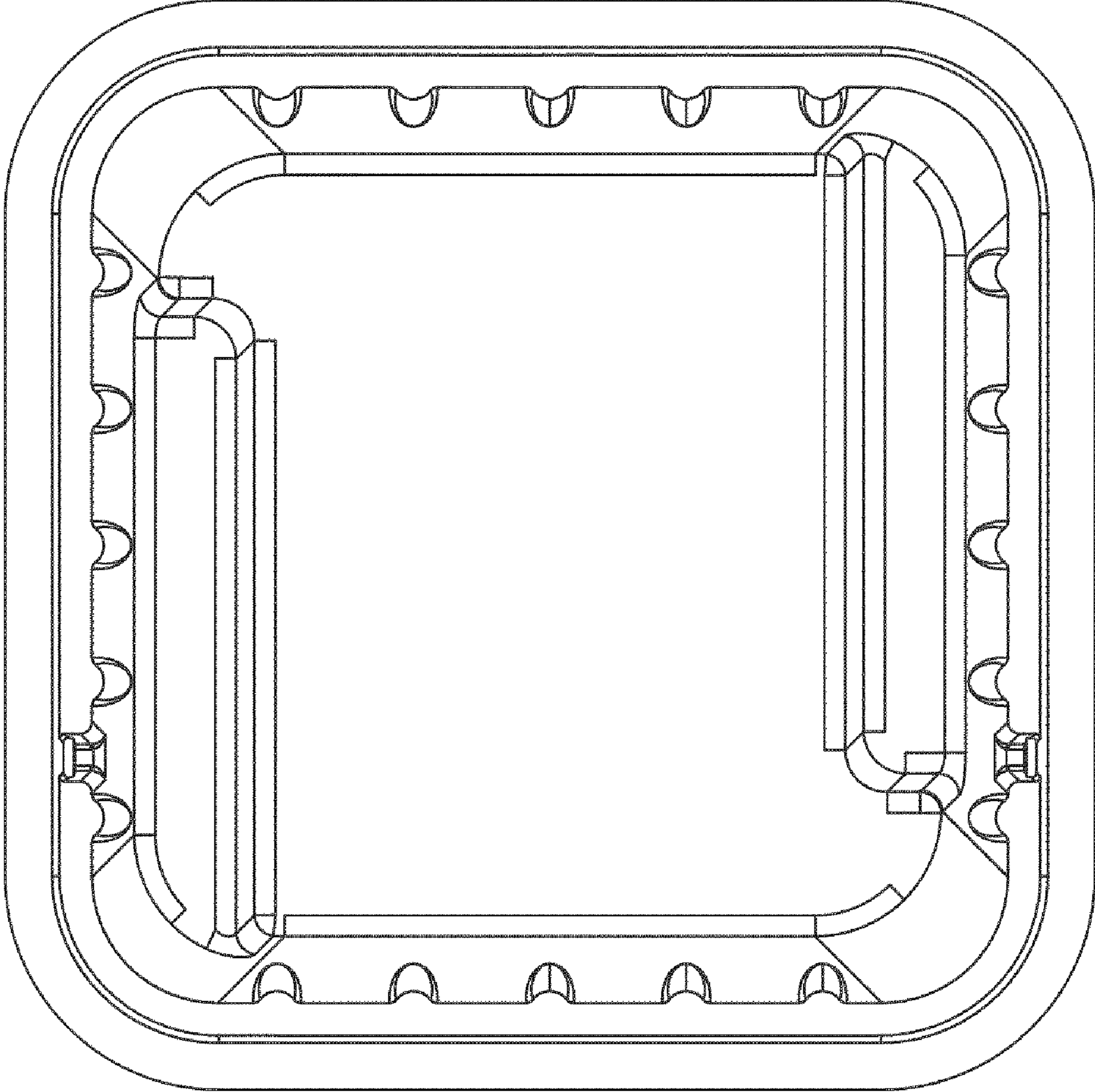


FIGURE 1

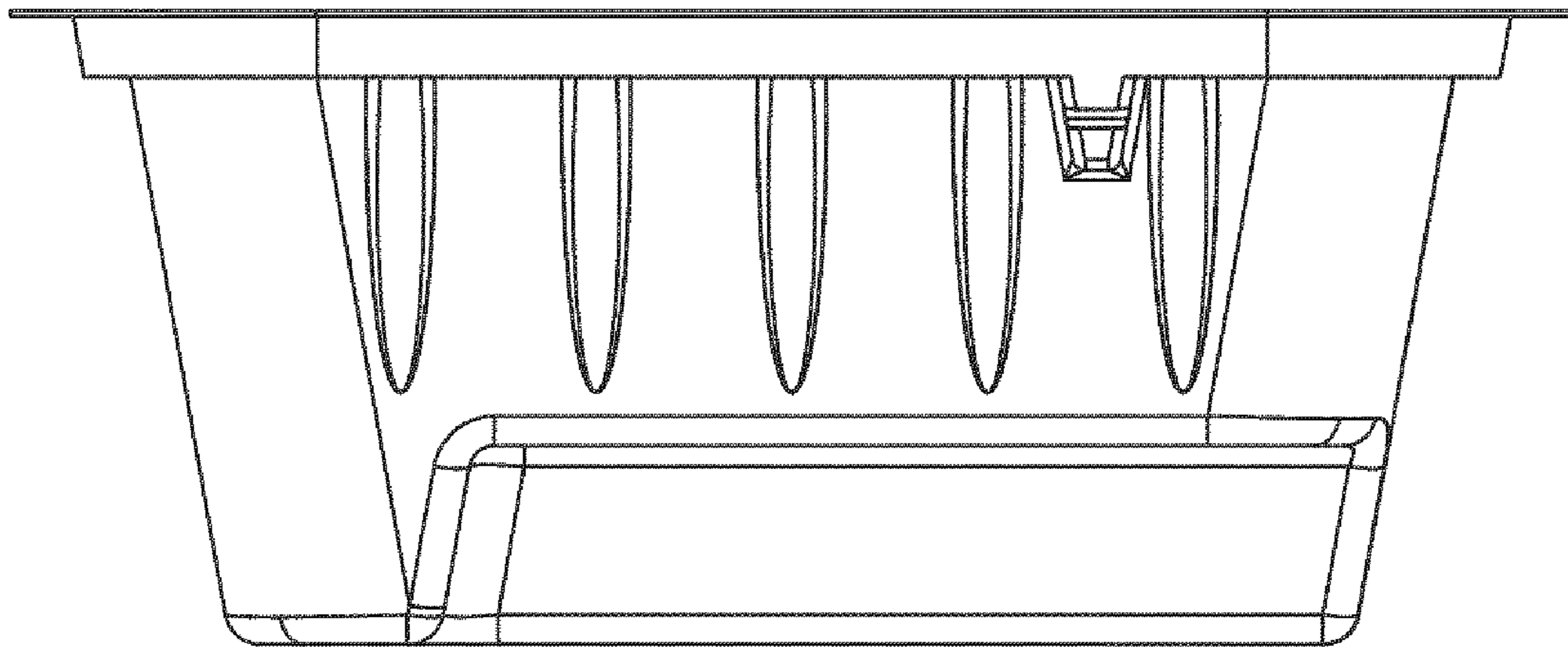


FIGURE 2

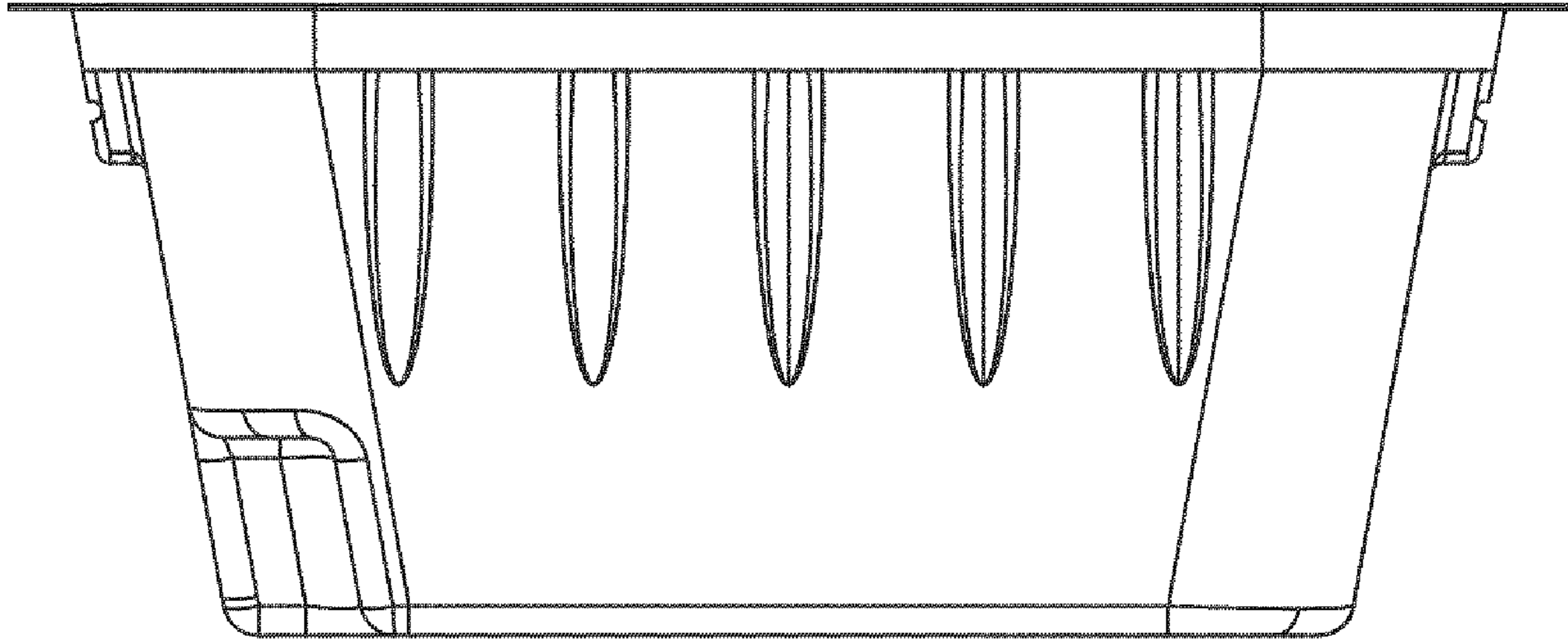


FIGURE 3

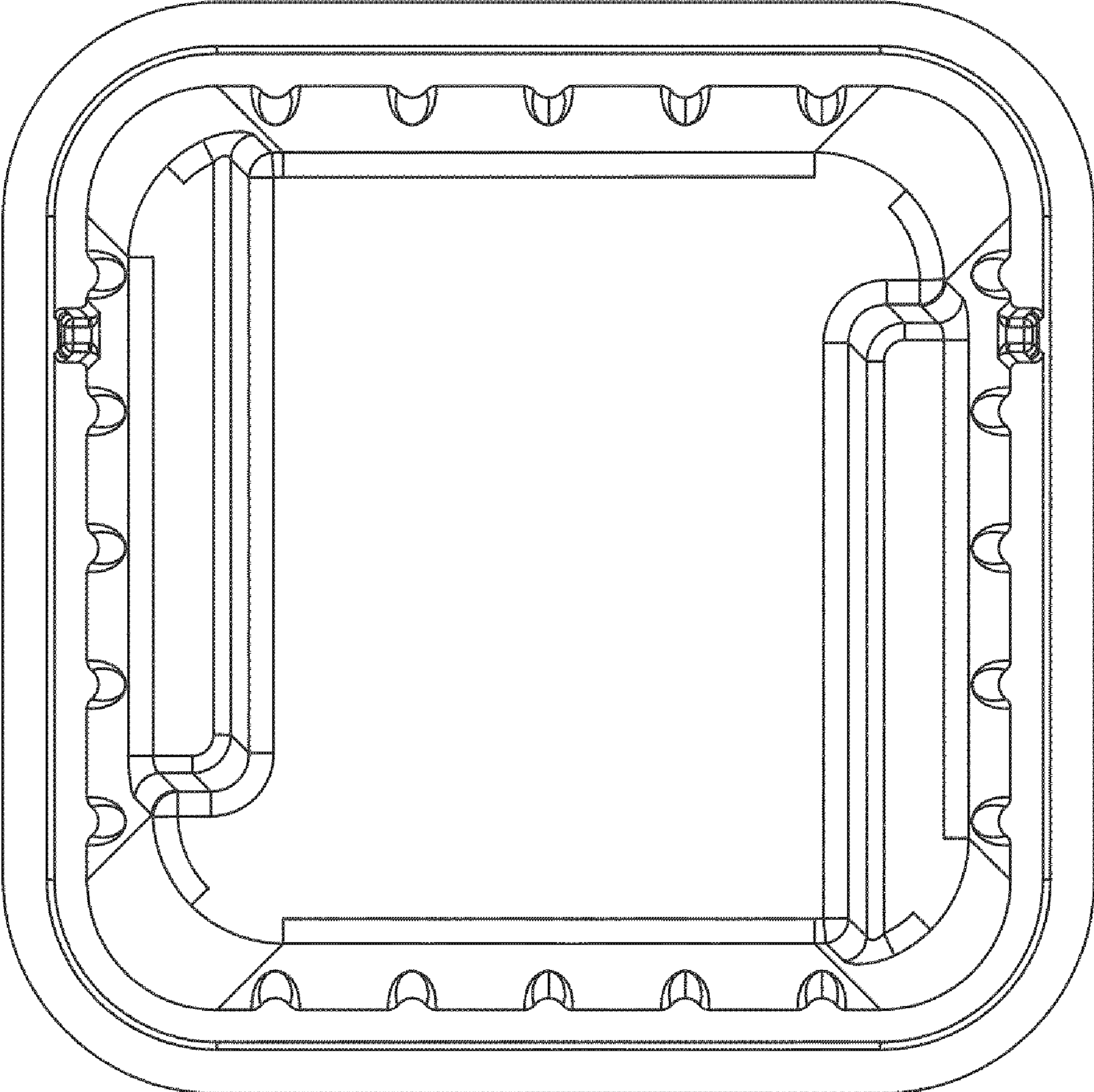


FIGURE 4

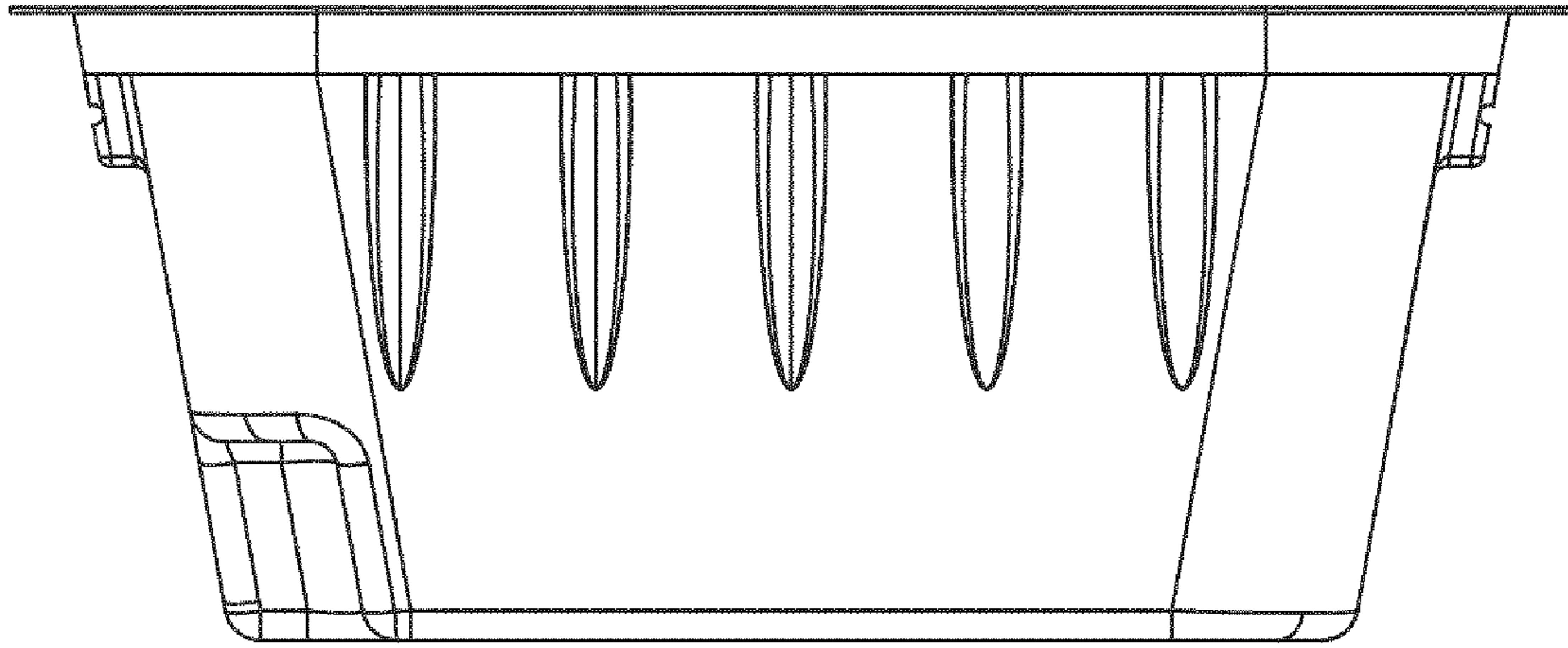


FIGURE 5

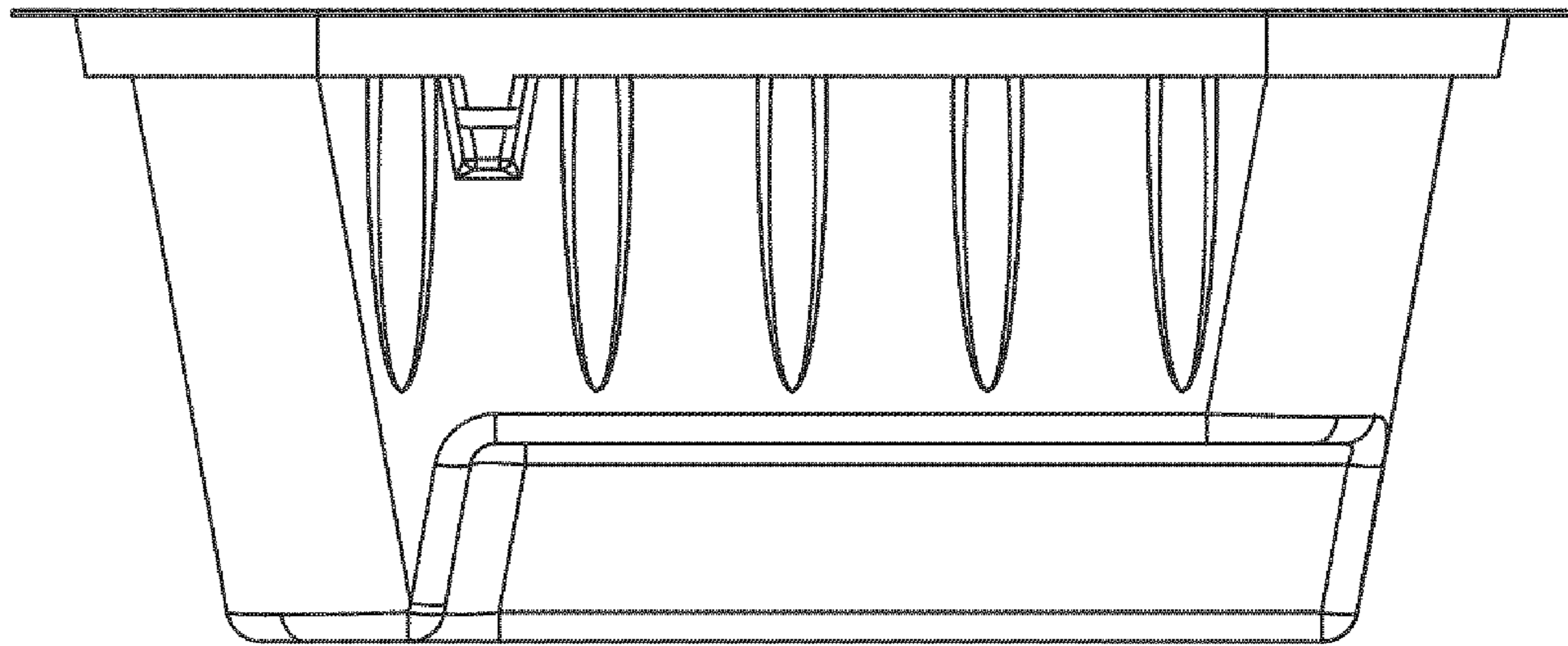


FIGURE 6

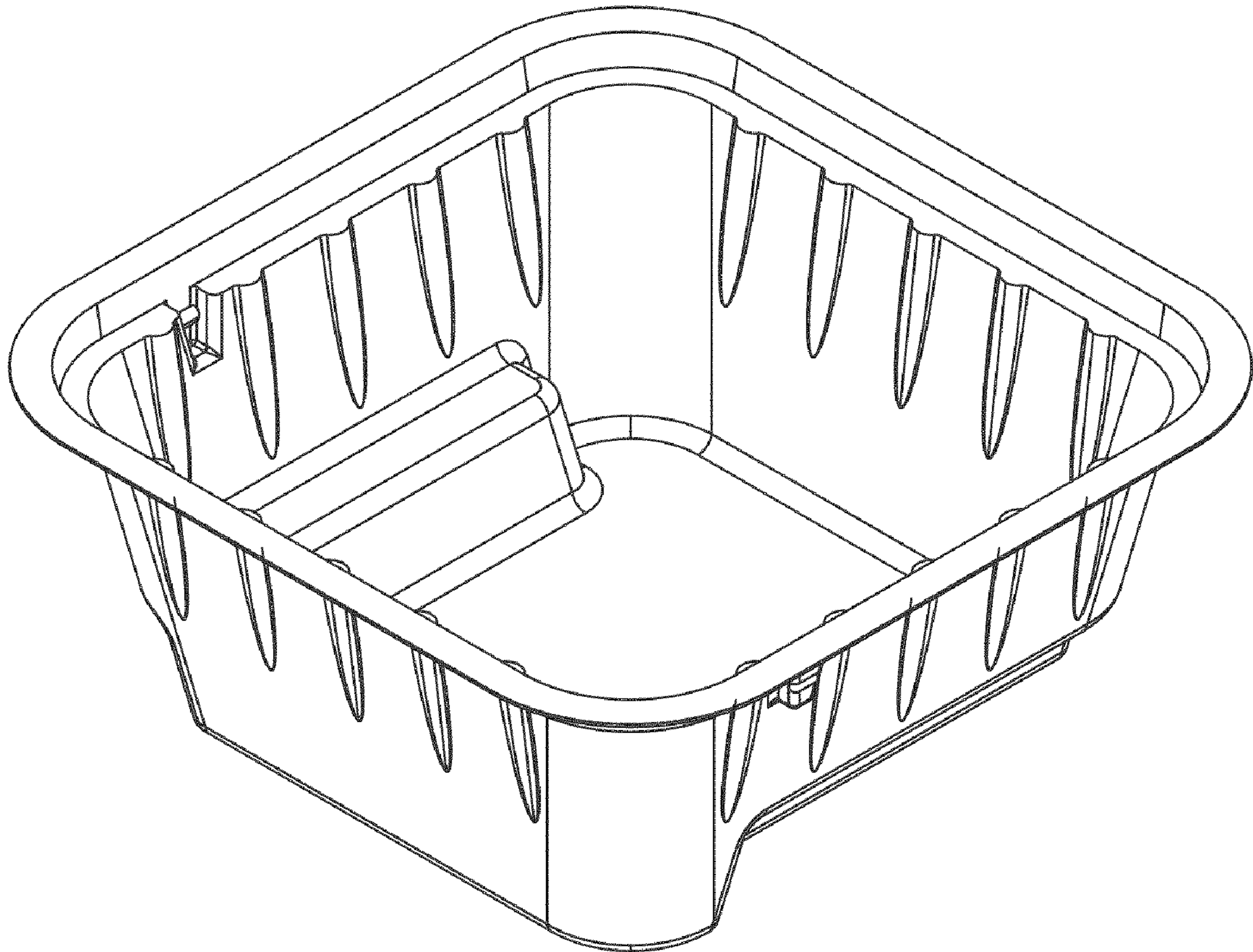


FIGURE 7

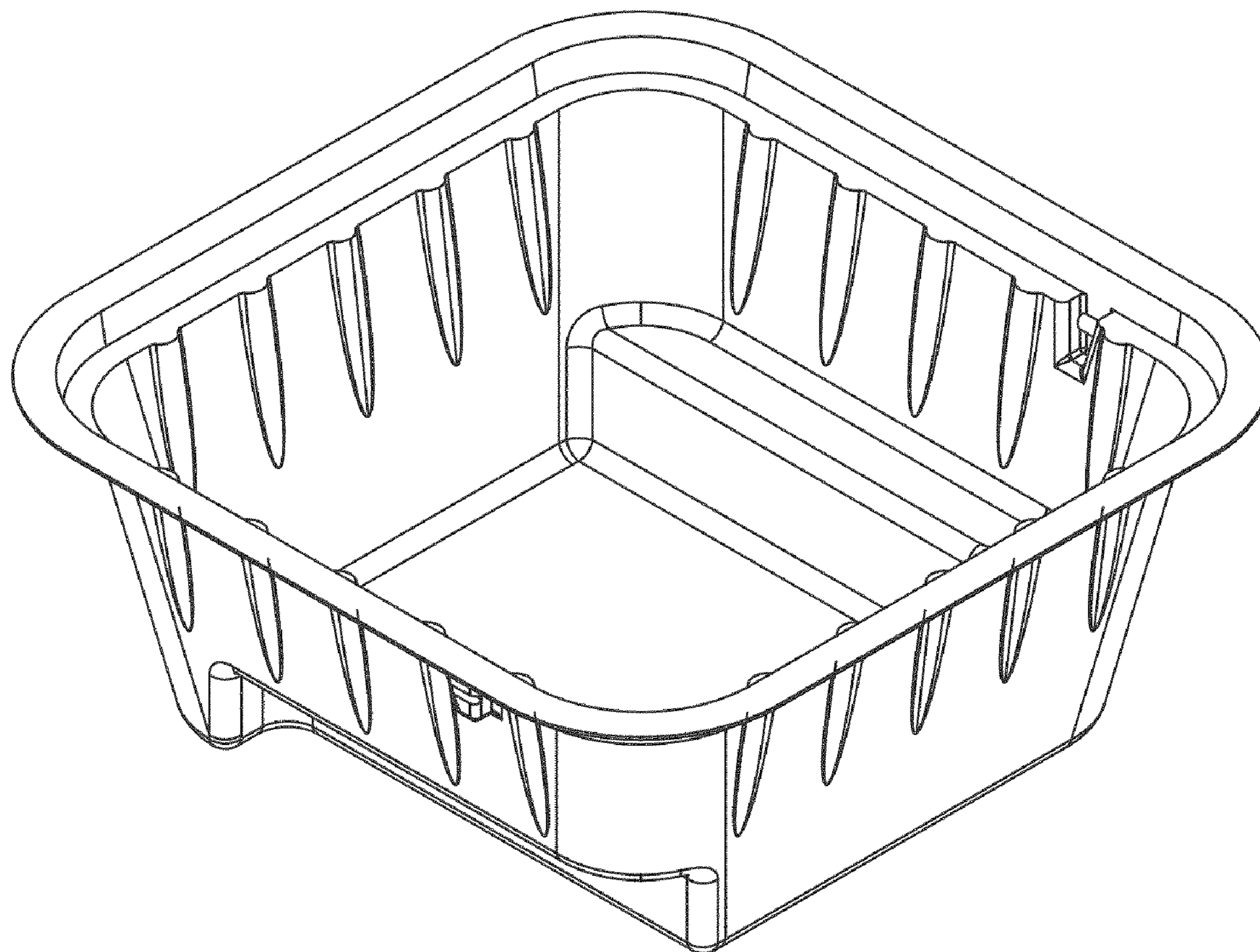


FIGURE 8

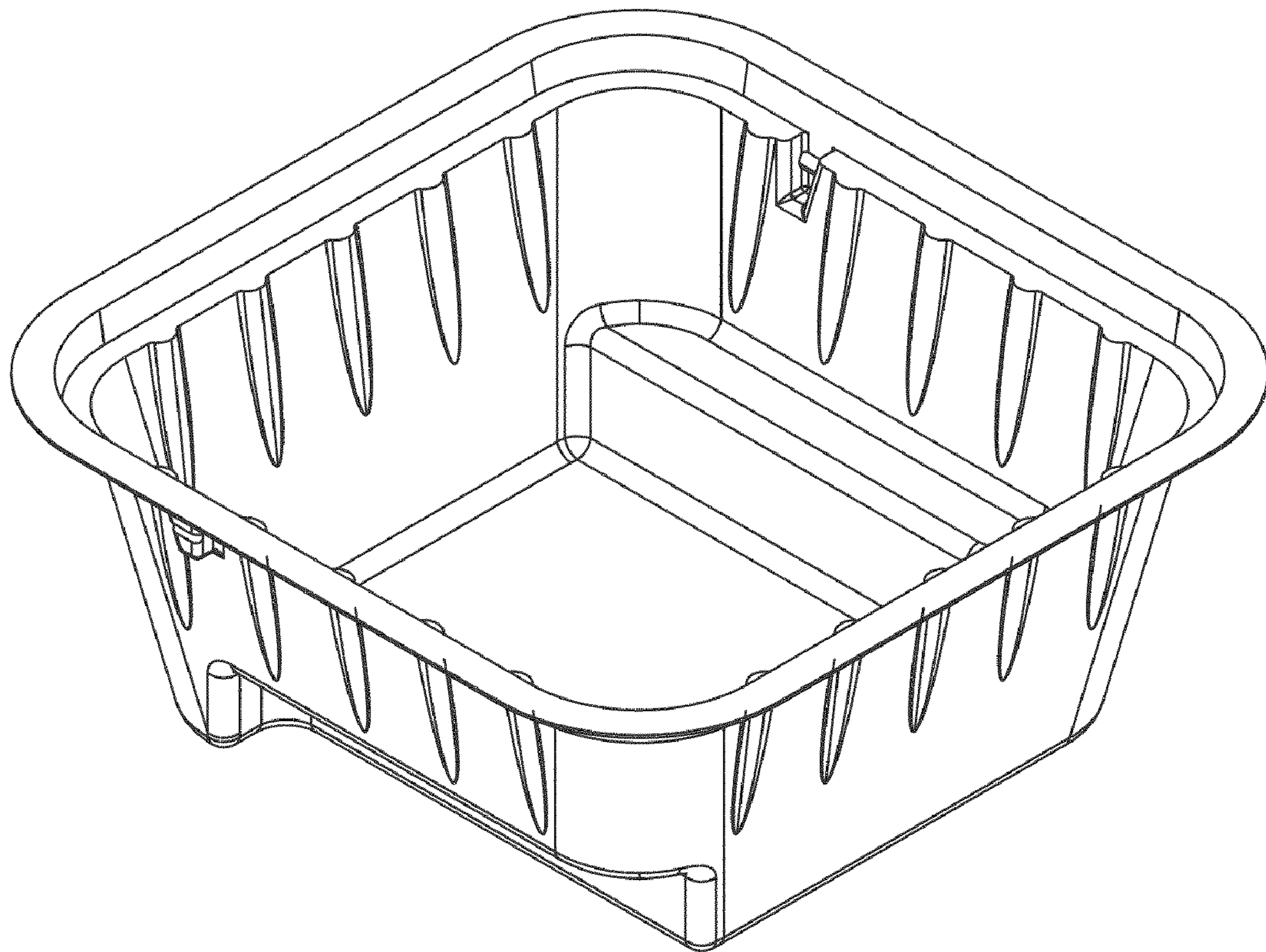


FIGURE 9

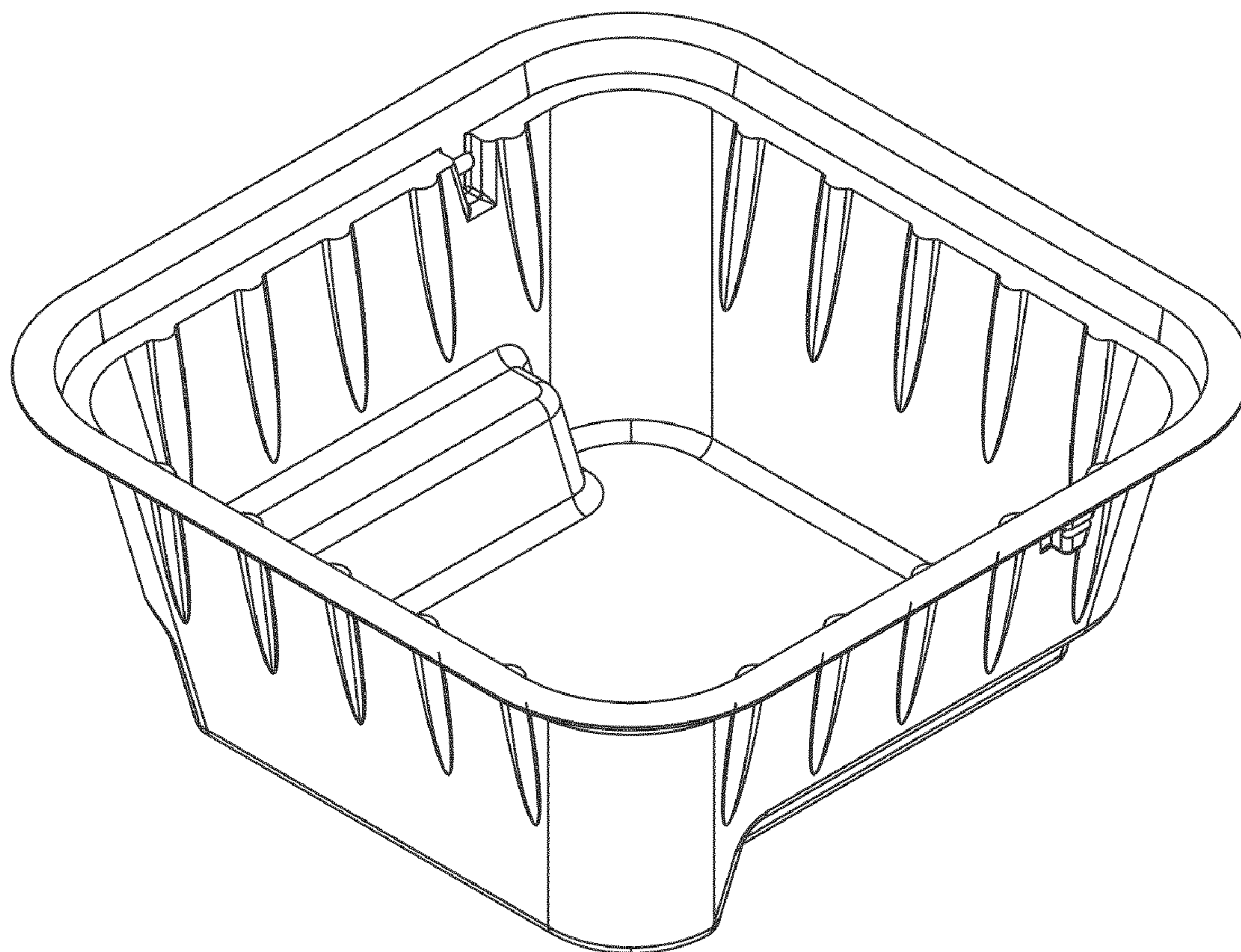


FIGURE 10

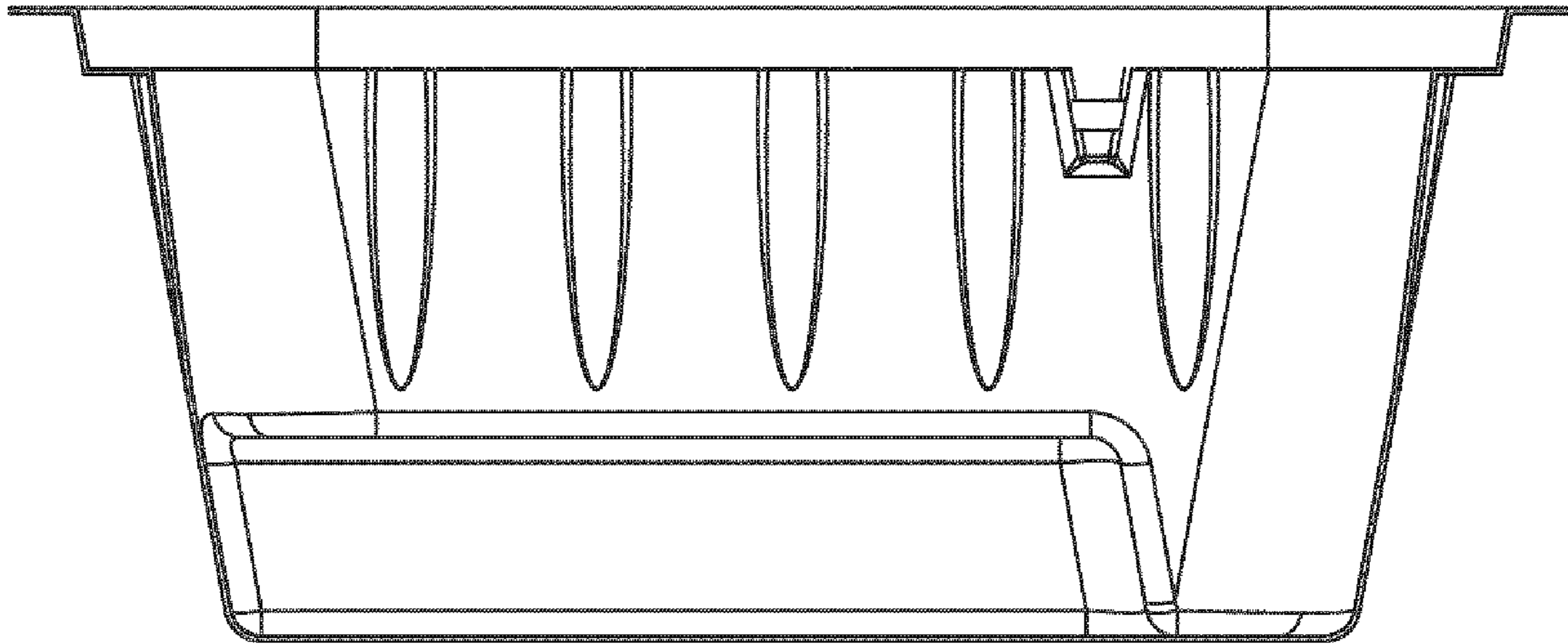


FIGURE 11

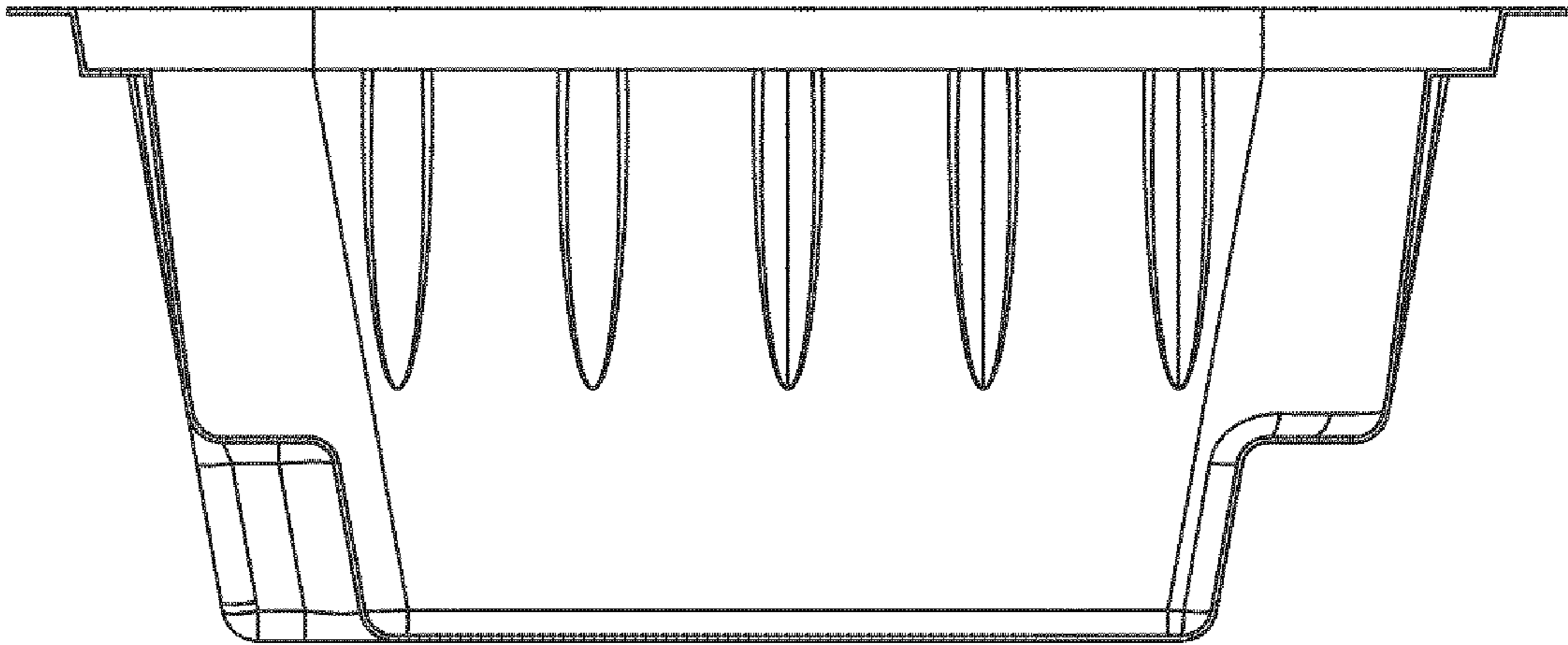


FIGURE 12

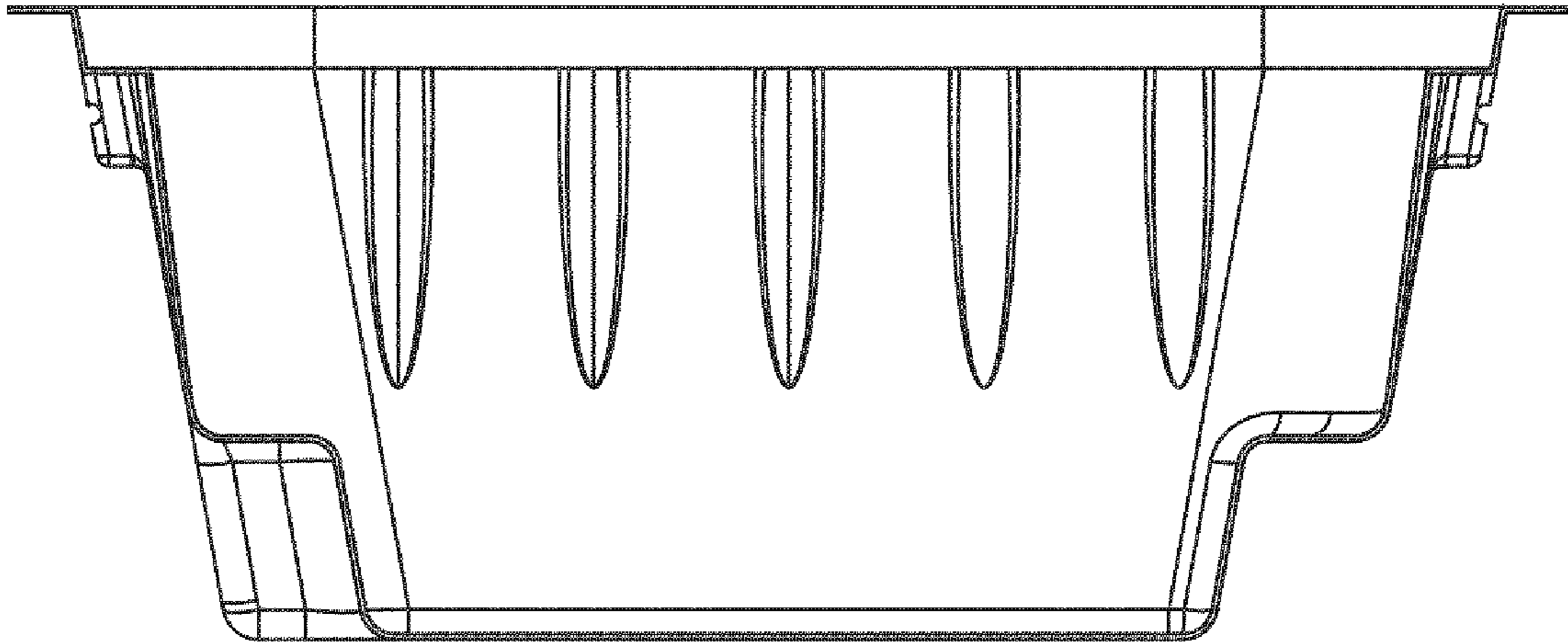


FIGURE 13

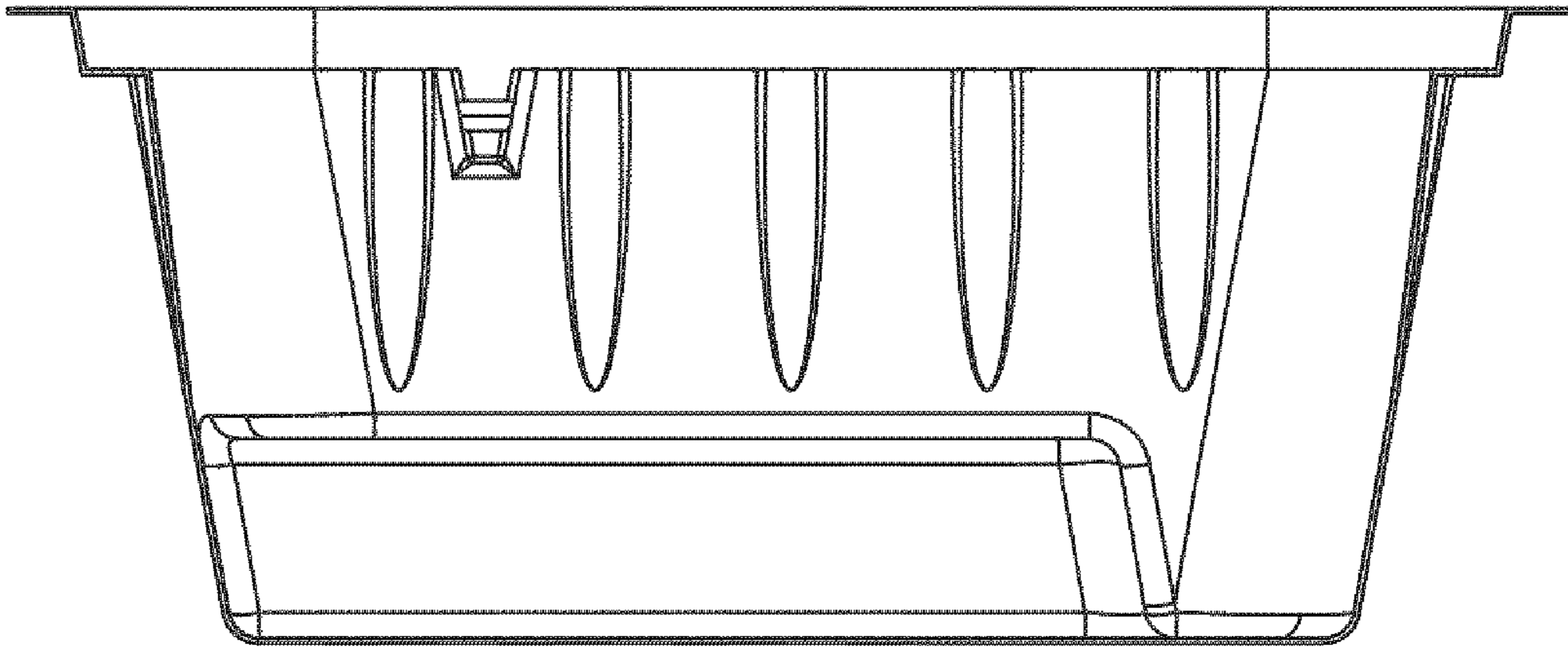


FIGURE 14

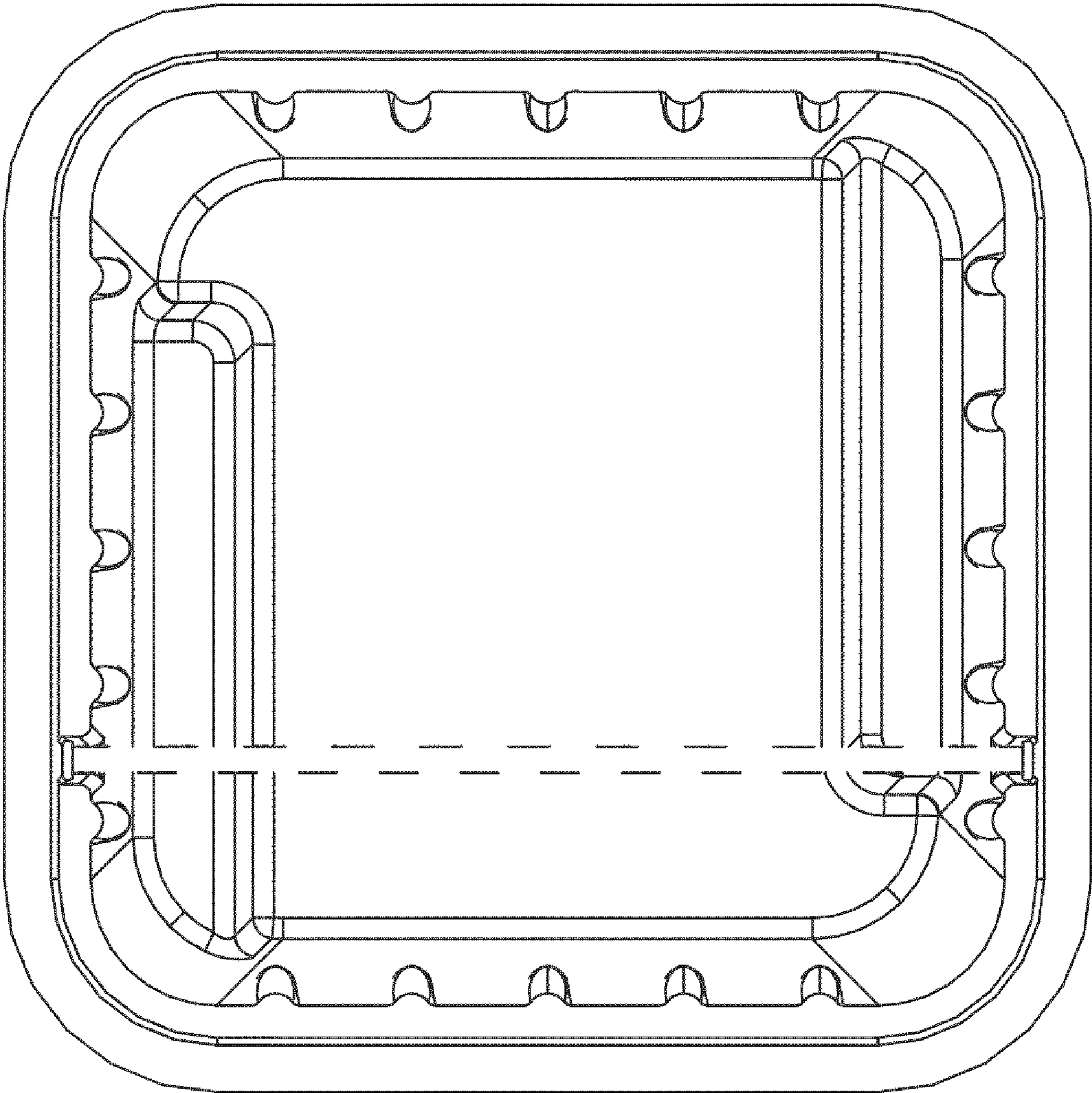


FIGURE 15

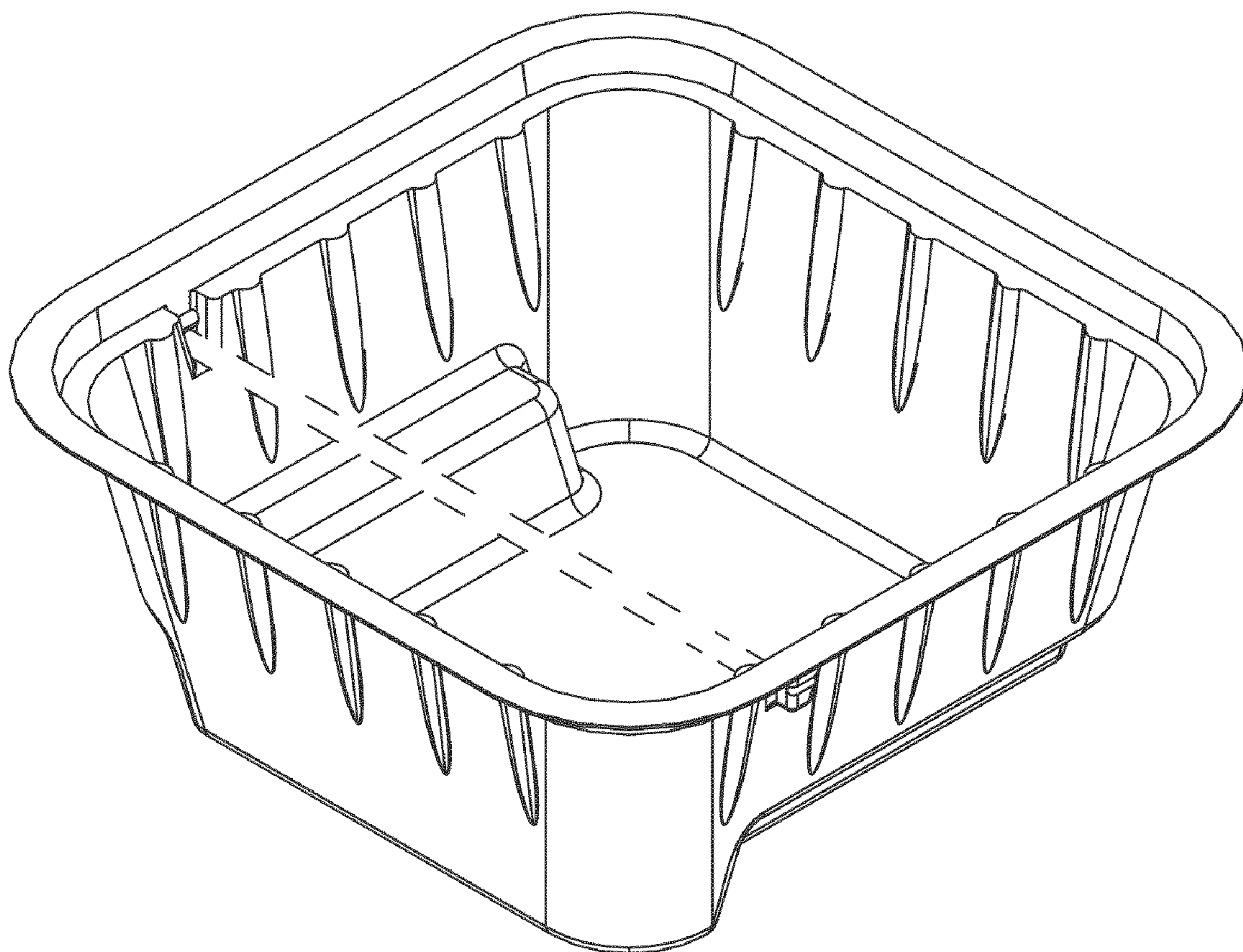


FIGURE 16

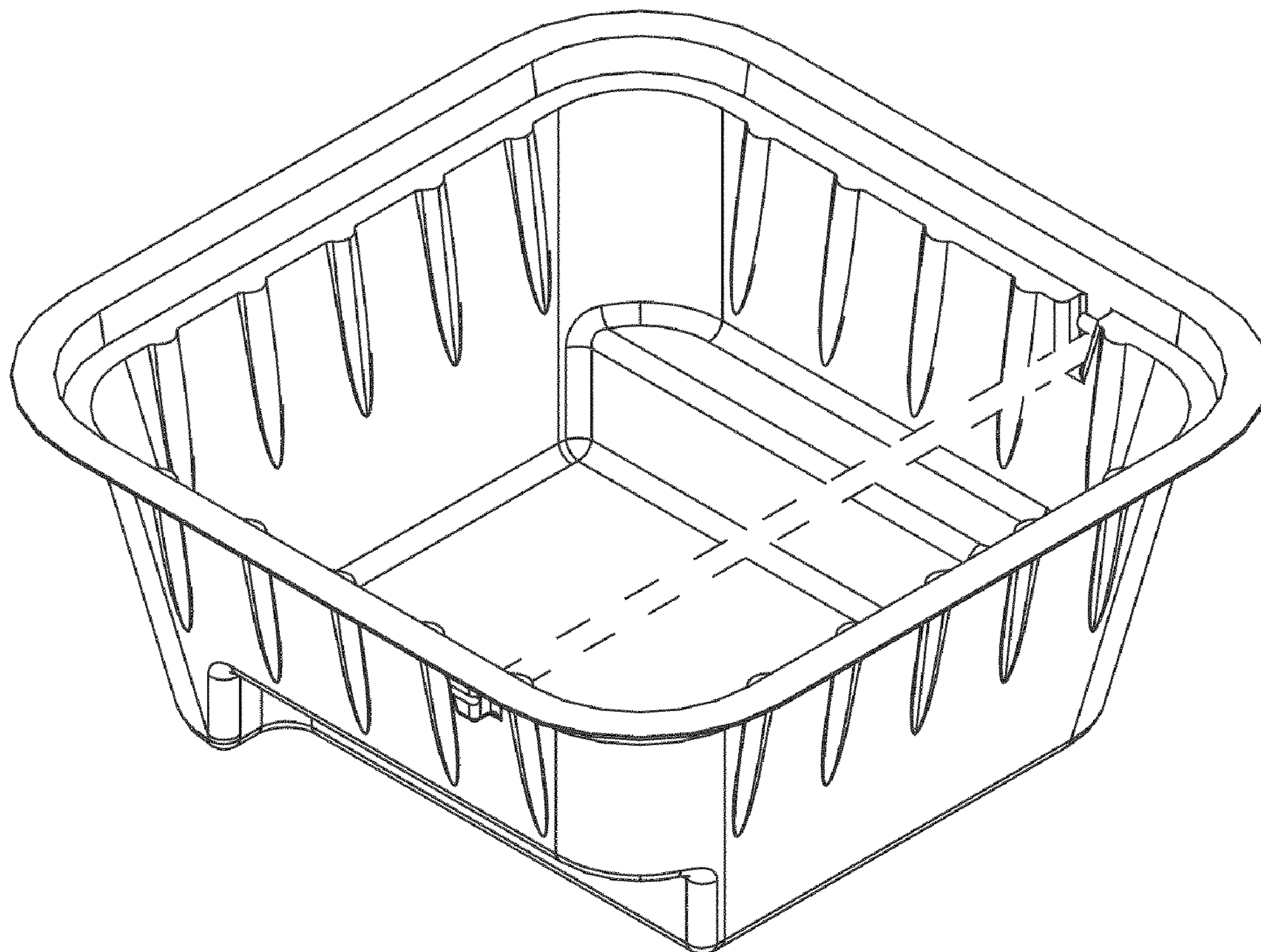


FIGURE 17