



US00D652595S

(12) **United States Design Patent**
Pottes

(10) **Patent No.:** **US D652,595 S**
(45) **Date of Patent:** **** Jan. 17, 2012**

(54) **SQUEEGEE HEAD**

(75) Inventor: **Fabiano G. Pottes**, São Paulo (BR)

(73) Assignee: **3M Innovative Properties Company**,
St. Paul, MN (US)

(**) Term: **14 Years**

(21) Appl. No.: **29/391,141**

(22) Filed: **May 4, 2011**

(51) **LOC (9) Cl.** **04-01**

(52) **U.S. Cl.** **D32/41**

(58) **Field of Classification Search** D32/40-46;
15/121, 245, 245.1, 244.2, 236.01

See application file for complete search history.

(56) **References Cited**

U.S. PATENT DOCUMENTS

2,088,777	A *	8/1937	Dennis	15/245
D411,672	S *	6/1999	McCoy et al.	D32/46
D480,853	S *	10/2003	Snell	D32/41
D487,830	S *	3/2004	Snell	D32/41
D517,758	S *	3/2006	Hay et al.	D32/41
D544,162	S *	6/2007	Uffner et al.	D32/46
D602,666	S *	10/2009	Antoniello et al.	D32/41
7,622,003	B1 *	11/2009	Heysek	118/504
D627,532	S *	11/2010	Yang et al.	D32/41

* cited by examiner

Primary Examiner — Robin V Webster

(74) *Attorney, Agent, or Firm* — Trisha D. Adamson

(57) **CLAIM**

The ornamental design for a squeegee head, as shown and described.

DESCRIPTION

FIG. 1 is a perspective view showing the new design for a squeegee head;

FIG. 2 is a front view thereof;

FIG. 3 is a rear view thereof;

FIG. 4 is a top view thereof;

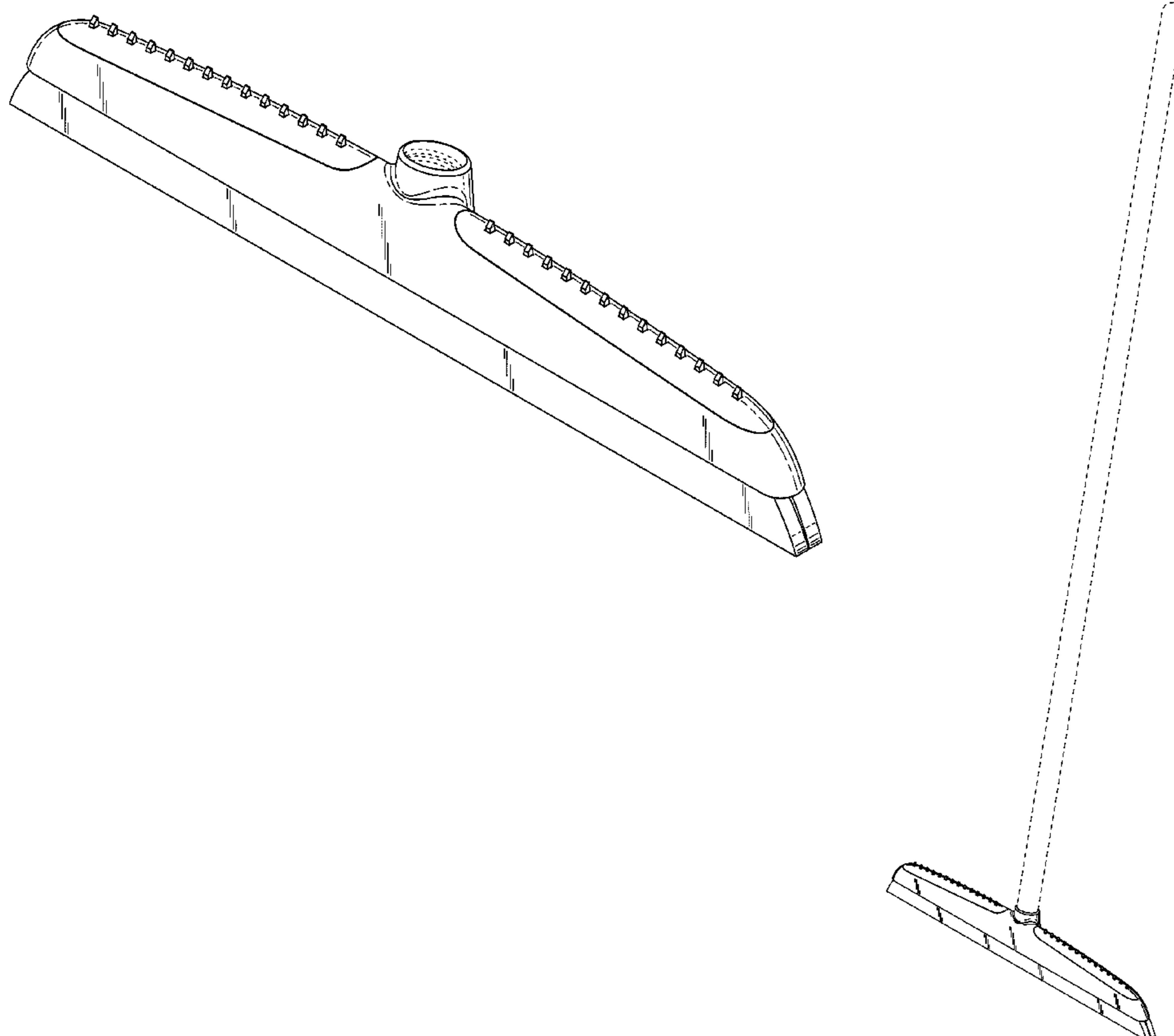
FIG. 5 is a bottom view thereof;

FIG. 6 is a right side view thereof, the left side view being a mirror image thereof; and,

FIG. 7 is a perspective view of the squeegee head shown attached to a long handle.

The broken lines in the drawings are shown for illustrative purposes only and form no part of the claimed design. In addition, the surface shading illustrated in the drawings is provided merely to highlight the contour of design; it is not intended to be illustrative of texture or gloss.

1 Claim, 4 Drawing Sheets



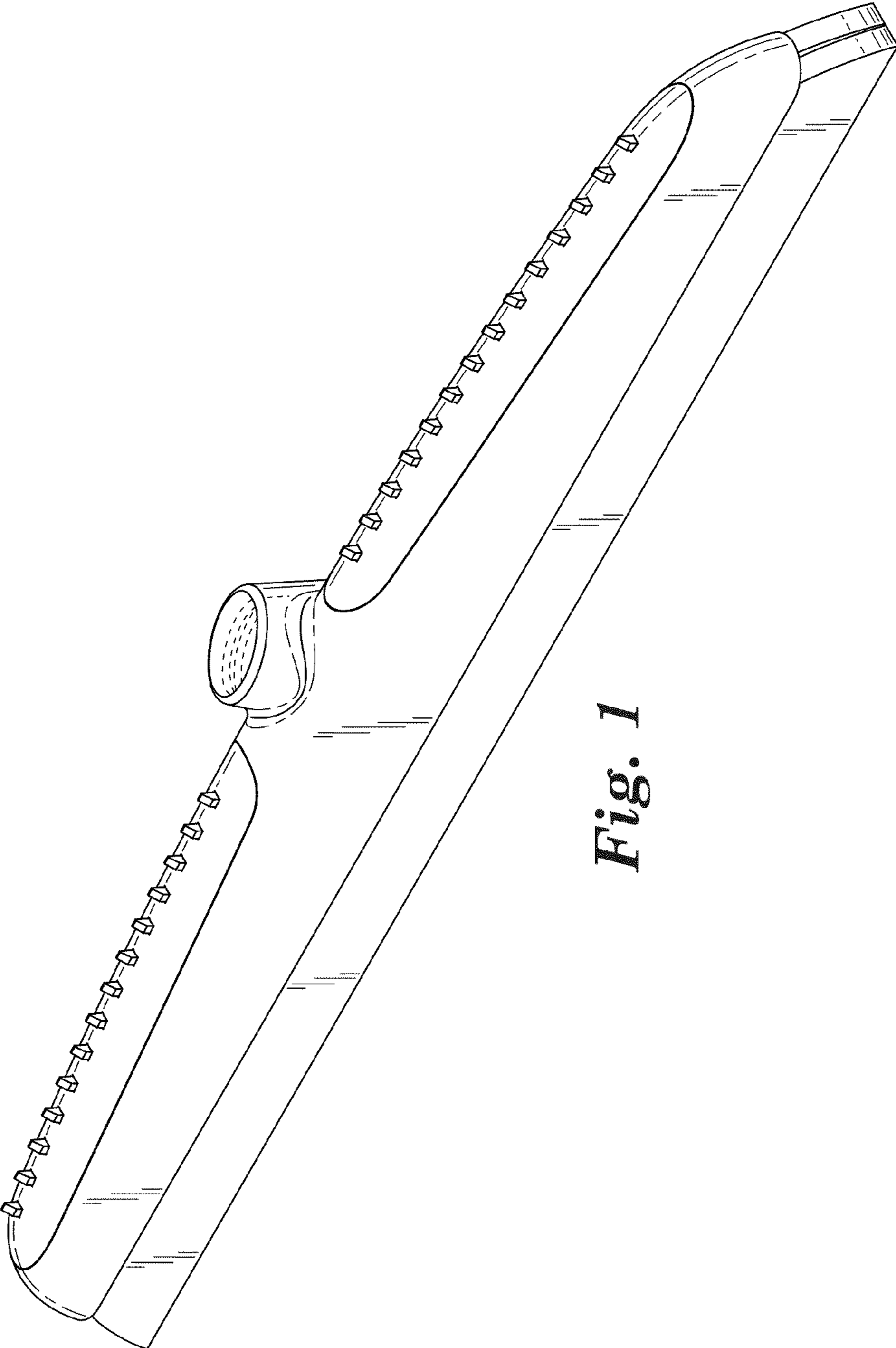


Fig. 1

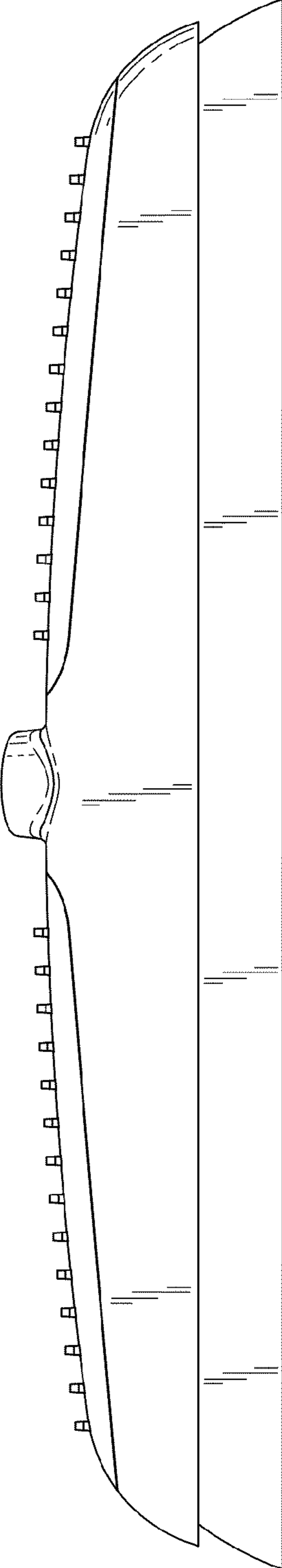


Fig. 2

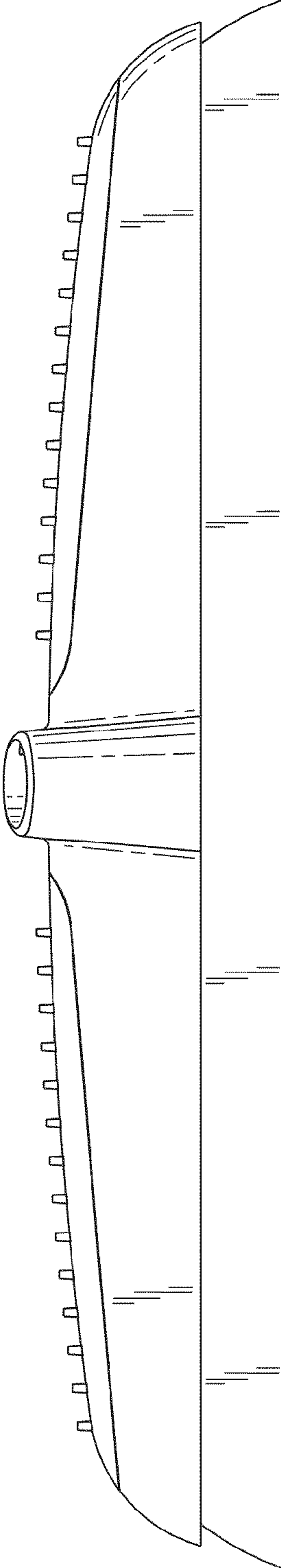


Fig. 3

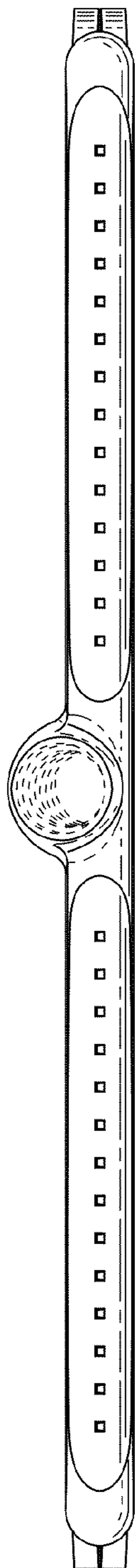


Fig. 4

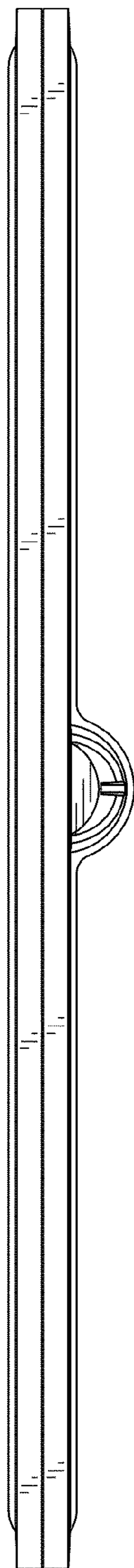


Fig. 5

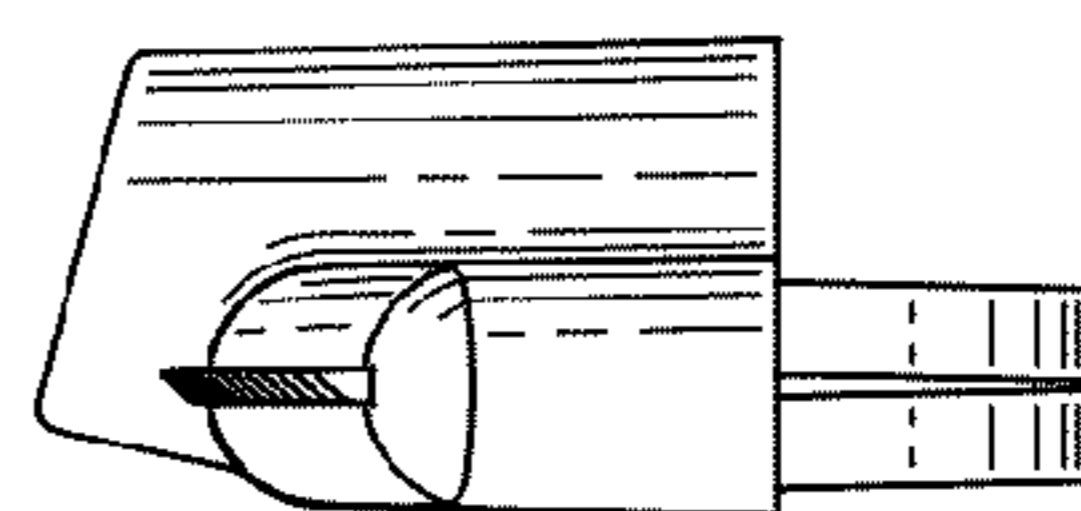


Fig. 6

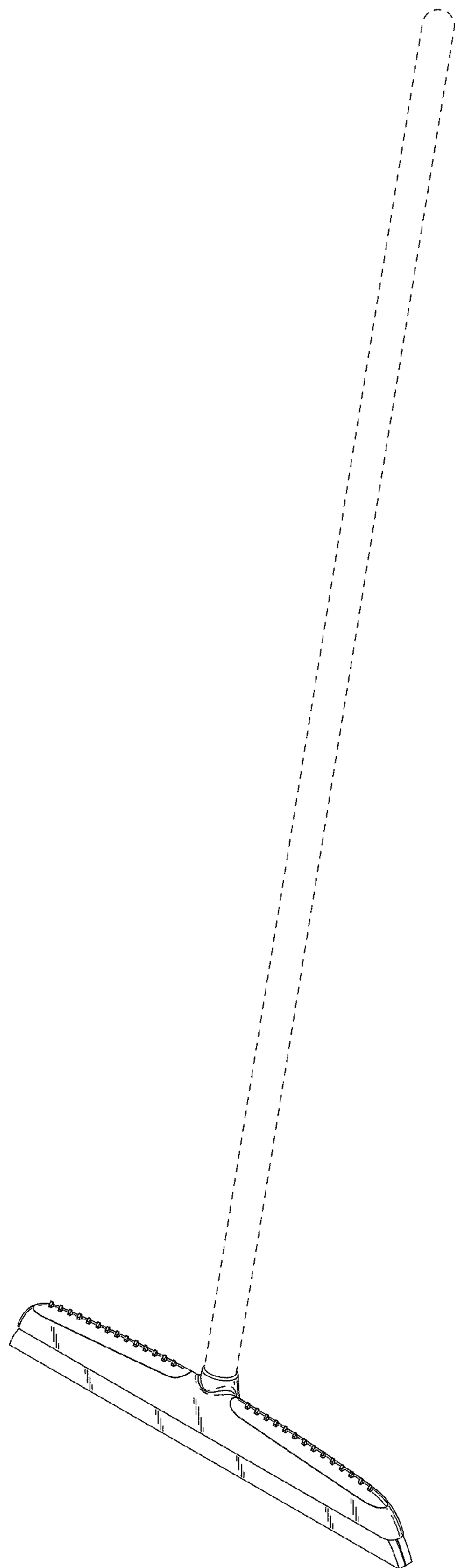


Fig. 7