



US00D652593S

(12) **United States Design Patent**
Wu

(10) **Patent No.:** **US D652,593 S**

(45) **Date of Patent:** **** Jan. 17, 2012**

(54) **ICE SCRAPER WITH WORK AREA ILLUMINATOR**

(75) Inventor: **Liuning Wu**, Ningbo (CN)

(73) Assignee: **Ningbo Worth International Trade Co., Ltd.**, Ningbo (CN)

(**) Term: **14 Years**

(21) Appl. No.: **29/374,122**

(22) Filed: **Jul. 5, 2011**

(51) **LOC (9) Cl.** **04-01**

(52) **U.S. Cl.** **D32/40; D32/46**

(58) **Field of Classification Search** D32/40-46;
15/121, 245, 245.1, 244.2, 236.01
See application file for complete search history.

(56) **References Cited**

U.S. PATENT DOCUMENTS

D415,325 S * 10/1999 Hellinger et al. D32/49
6,006,396 A * 12/1999 Hellinger et al. 15/236.02
6,351,888 B1 * 3/2002 Brown et al. 30/169
D469,230 S * 1/2003 Libman et al. D32/41

6,519,801 B1 * 2/2003 Chao 15/236.01
D473,028 S * 4/2003 Hay et al. D32/41
D547,513 S * 7/2007 Peroni et al. D32/46
D569,566 S * 5/2008 Pfitzinger D32/46
D604,919 S * 11/2009 Meyer D32/41

* cited by examiner

Primary Examiner — Robin V Webster

(74) *Attorney, Agent, or Firm* — Thomas I. Rozsa

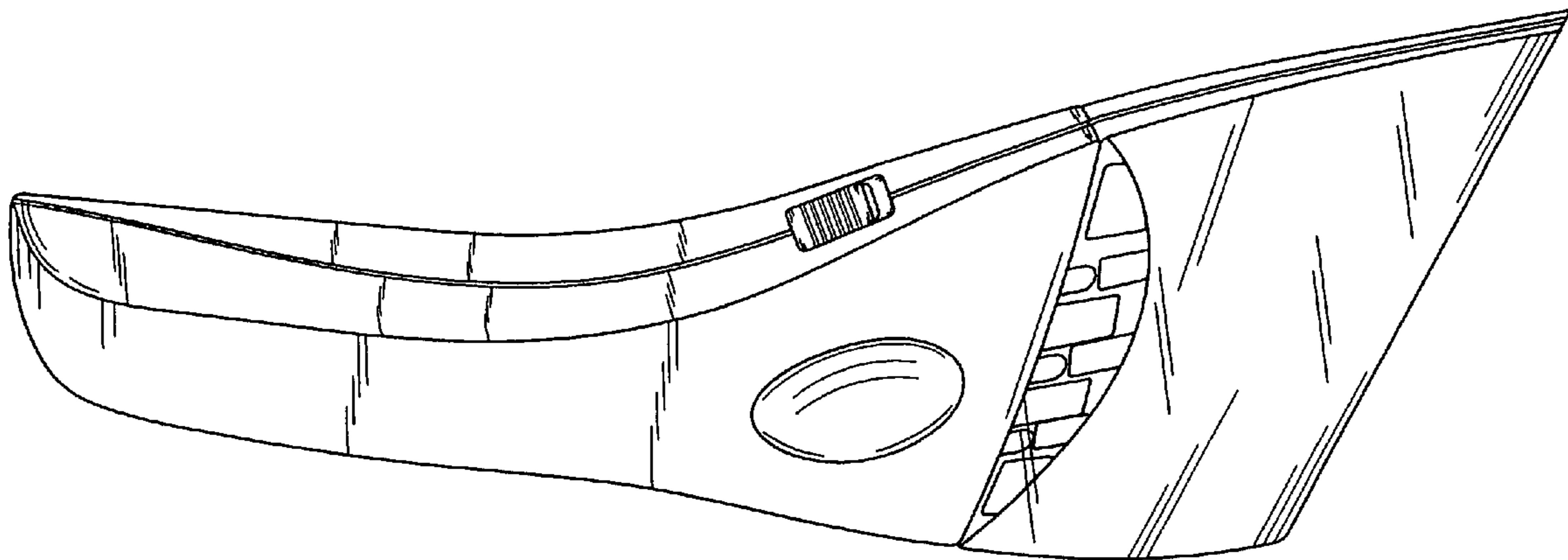
(57) **CLAIM**

The ornamental design for a ice scraper with work area illuminator, as shown and described.

DESCRIPTION

FIG. 1 is a side-front perspective view of the ice scraper with work area illuminator, showing my new design; FIG. 2 is a side-bottom perspective view thereof; FIG. 3 is top elevational view thereof; FIG. 4 is a bottom elevational view thereof; FIG. 5 is a right side elevational view thereof; FIG. 6 is a left side elevational view thereof; FIG. 7 is a front elevational view thereof; and, FIG. 8 is a rear elevational view thereof.

1 Claim, 6 Drawing Sheets



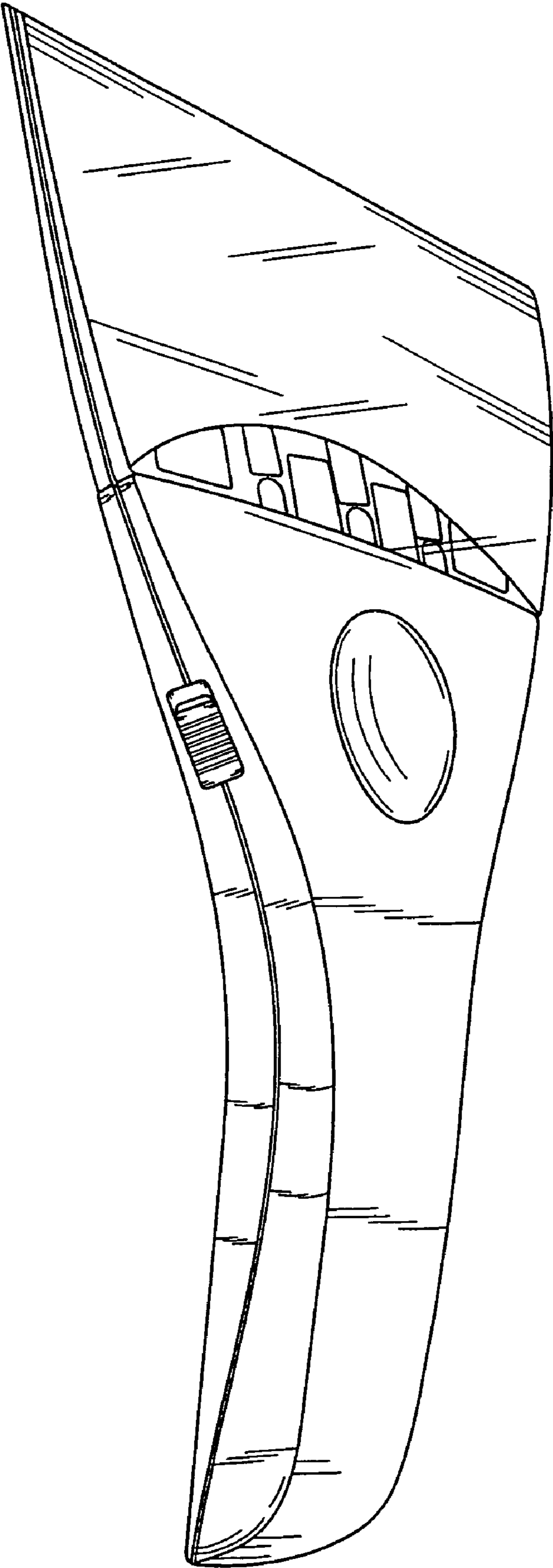


FIG. 1

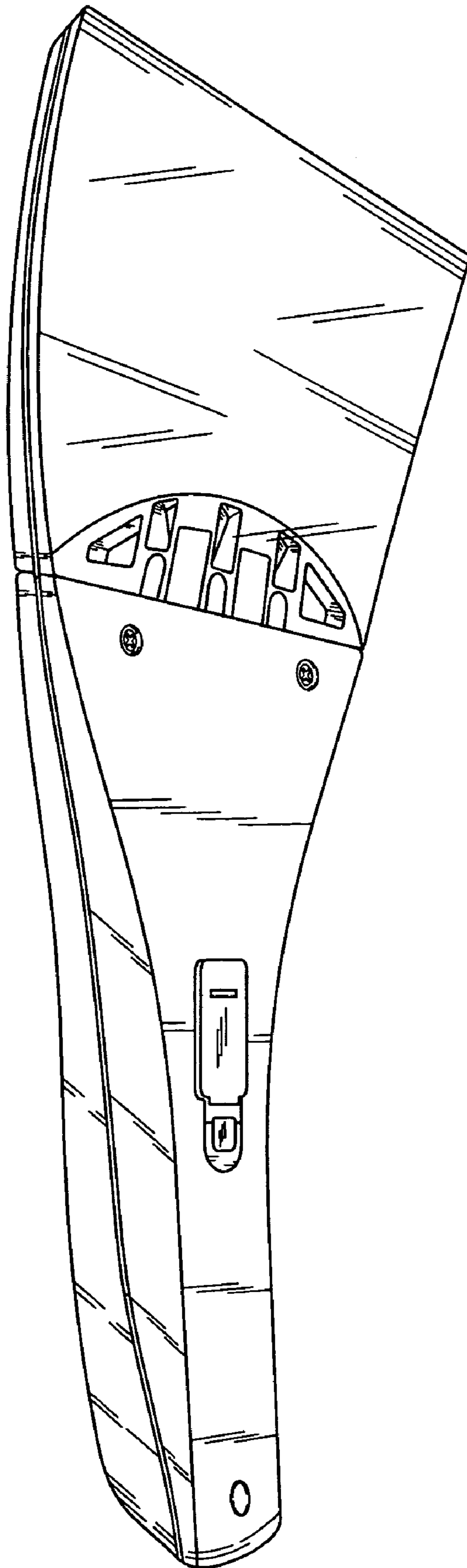


FIG. 2

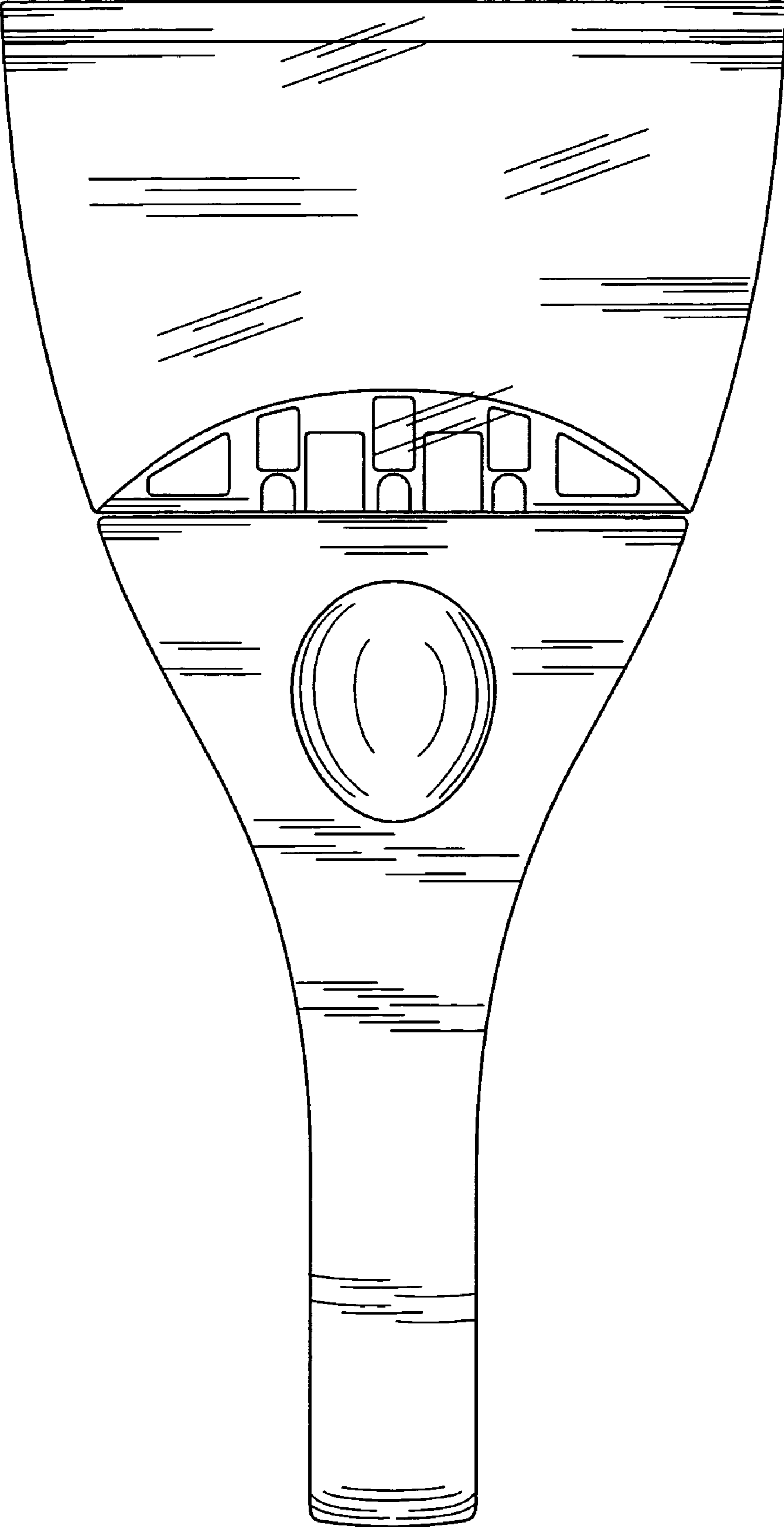


FIG. 3

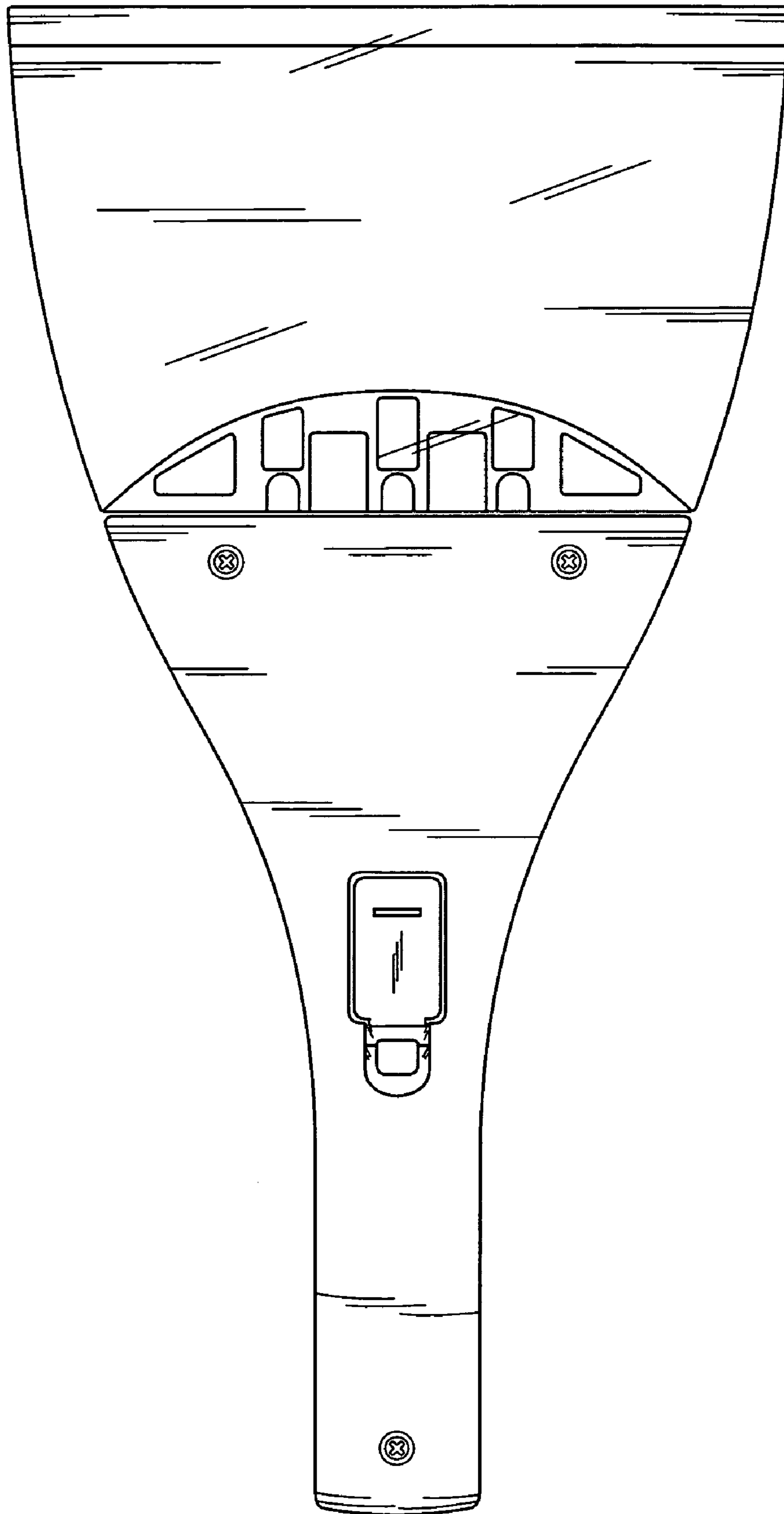


FIG. 4

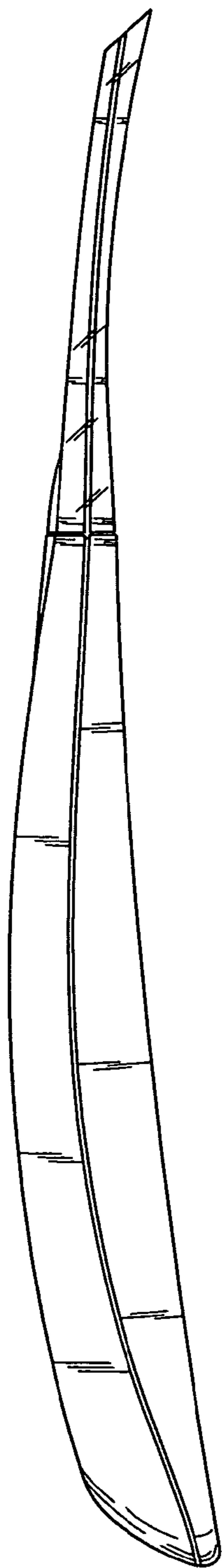


FIG. 5

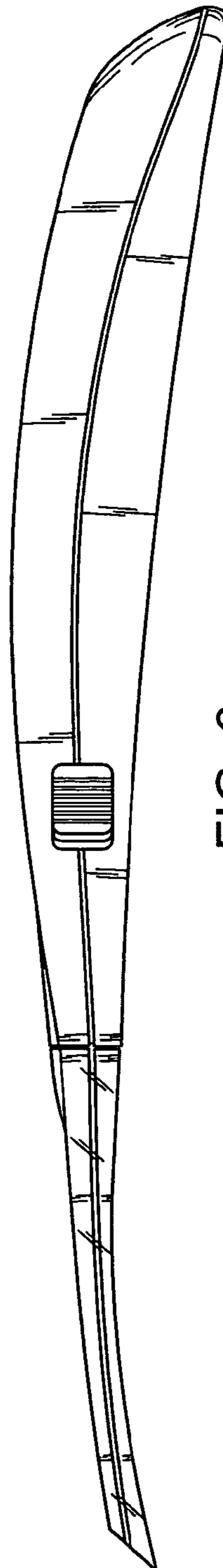


FIG. 6

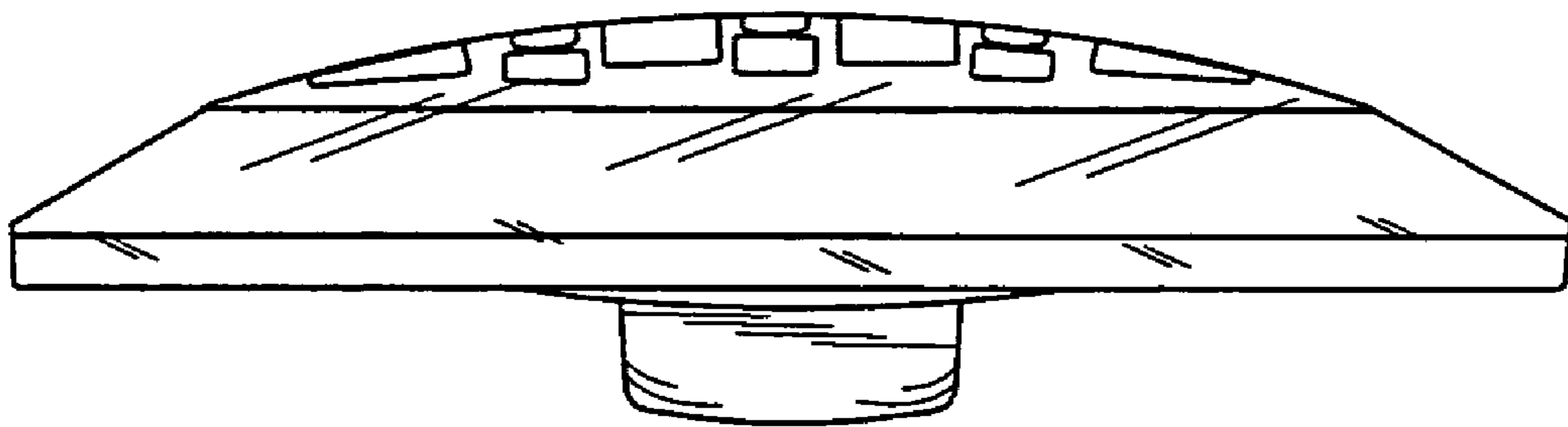


FIG. 7

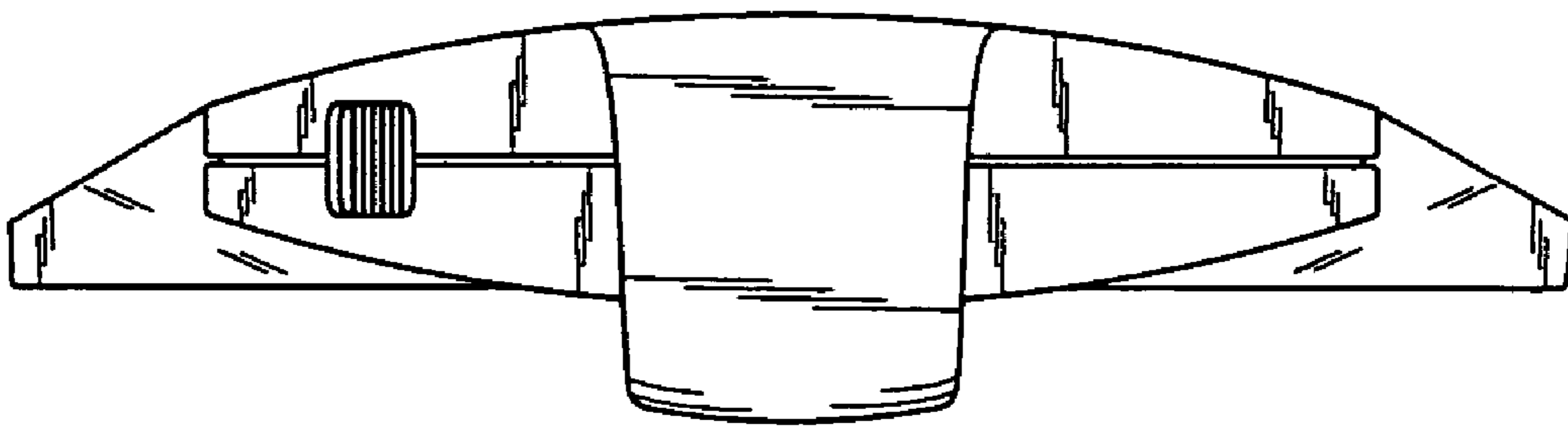


FIG. 8