

US00D652589S

(12) **United States Design Patent**
Lee

(10) **Patent No.:** **US D652,589 S**
(45) **Date of Patent:** **** Jan. 17, 2012**

(54) **VACUUM CLEANER**

(75) Inventor: **Young Seok Lee**, Seoul (KR)

(73) Assignee: **Samsun Electronics Co., Ltd.**,
Suwon-si (KR)

(**) Term: **14 Years**

(21) Appl. No.: **29/381,302**

(22) Filed: **Dec. 17, 2010**

(51) **LOC (9) Cl.** **15-05**

(52) **U.S. Cl.** **D32/22**

(58) **Field of Classification Search** D32/22,
D32/31, 34; 55/337, 429, 459.1, DIG. 2,
55/DIG. 3; 15/386, 320, 350, 353, 361, 347,
15/410-411, 327.1, 329, 383, 398, 366, 182-183,
15/179, 344, 374, 392, 339, 402, 415.1, 419,
15/310, 4.52; 119/628

See application file for complete search history.

(56) **References Cited**

U.S. PATENT DOCUMENTS

D455,530 S * 4/2002 Fujii D32/22
D462,813 S * 9/2002 Nakano et al. D32/22
D510,465 S * 10/2005 Takahashi et al. D32/22

D532,944 S * 11/2006 Choi D32/22
D535,069 S * 1/2007 Breit D32/22
D587,870 S * 3/2009 Baek et al. D32/22
D610,317 S * 2/2010 Lee et al. D32/22
D610,318 S * 2/2010 Shin D32/22
D633,264 S * 2/2011 Lee D32/22

* cited by examiner

Primary Examiner — Ruth McInroy

(74) *Attorney, Agent, or Firm* — Ladas & Parry LLP

(57) **CLAIM**

I claim the ornamental design for a vacuum cleaner, as shown and described.

DESCRIPTION

FIG. 1 is a top, front and right-side perspective view of a vacuum cleaner showing our new design;
FIG. 2 is a front elevational view thereof;
FIG. 3 is a rear elevational view thereof;
FIG. 4 is a left-side elevational view thereof;
FIG. 5 is a right-side elevational view thereof;
FIG. 6 is a top plan view thereof; and,
FIG. 7 is a bottom plan view thereof.

1 Claim, 6 Drawing Sheets

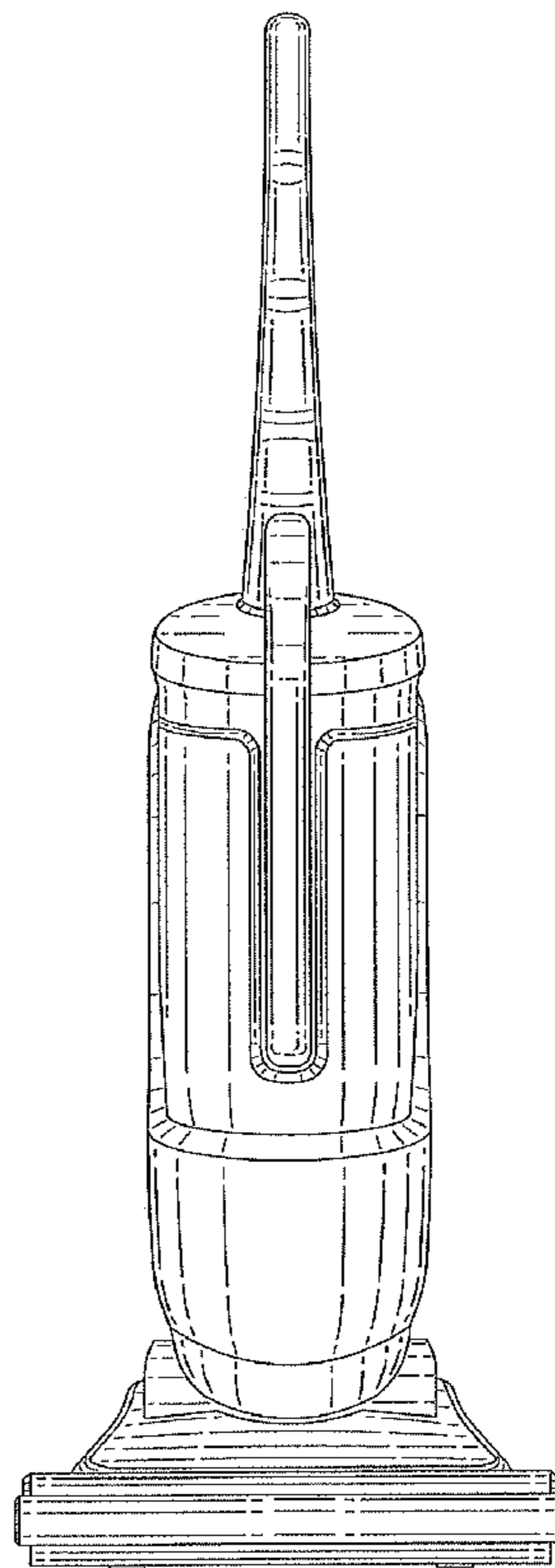
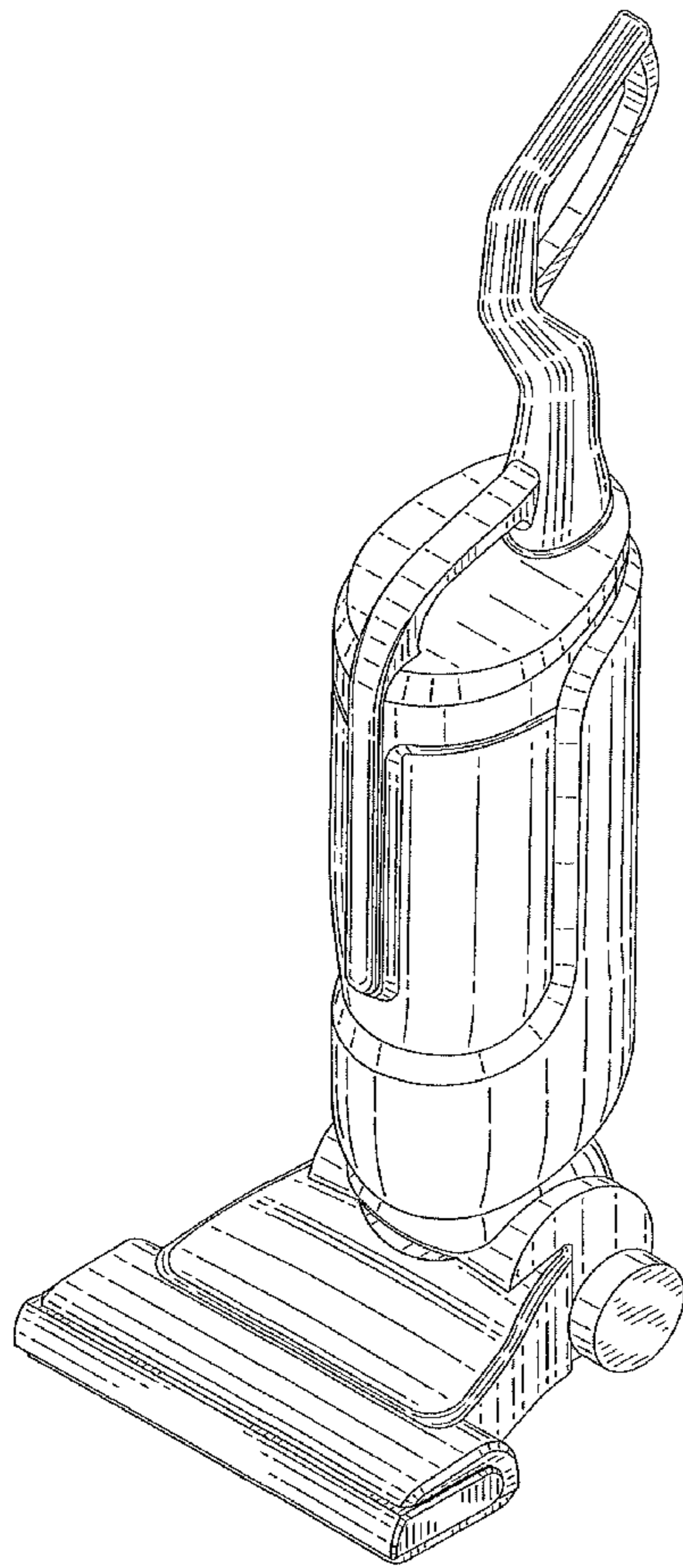


FIG. 1

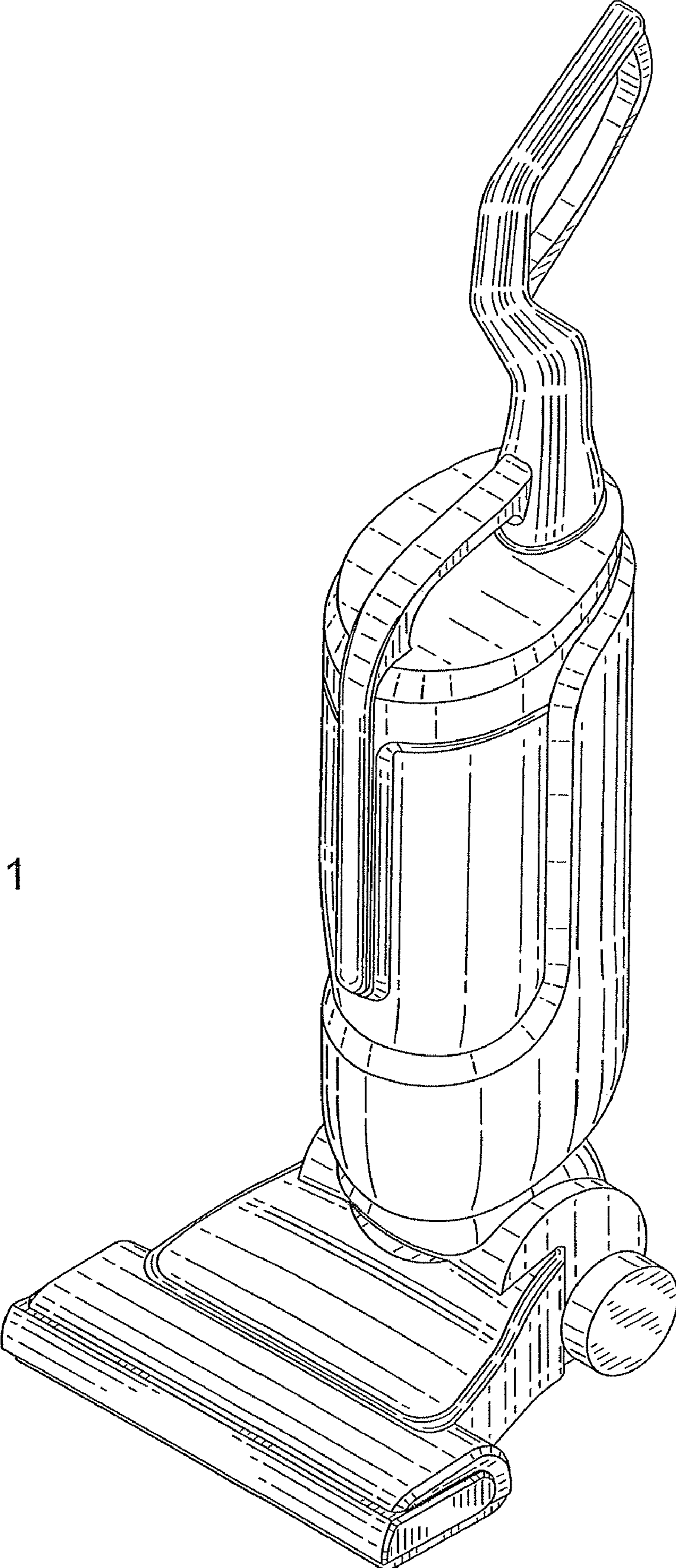


FIG. 2

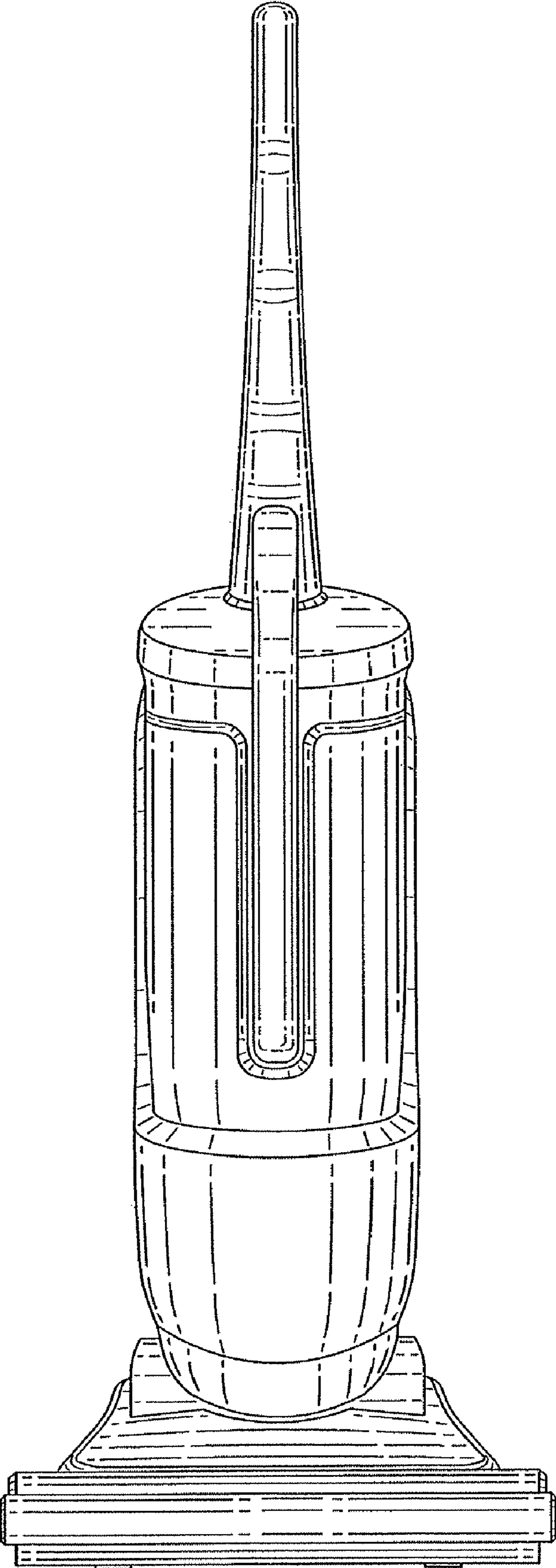


FIG. 3

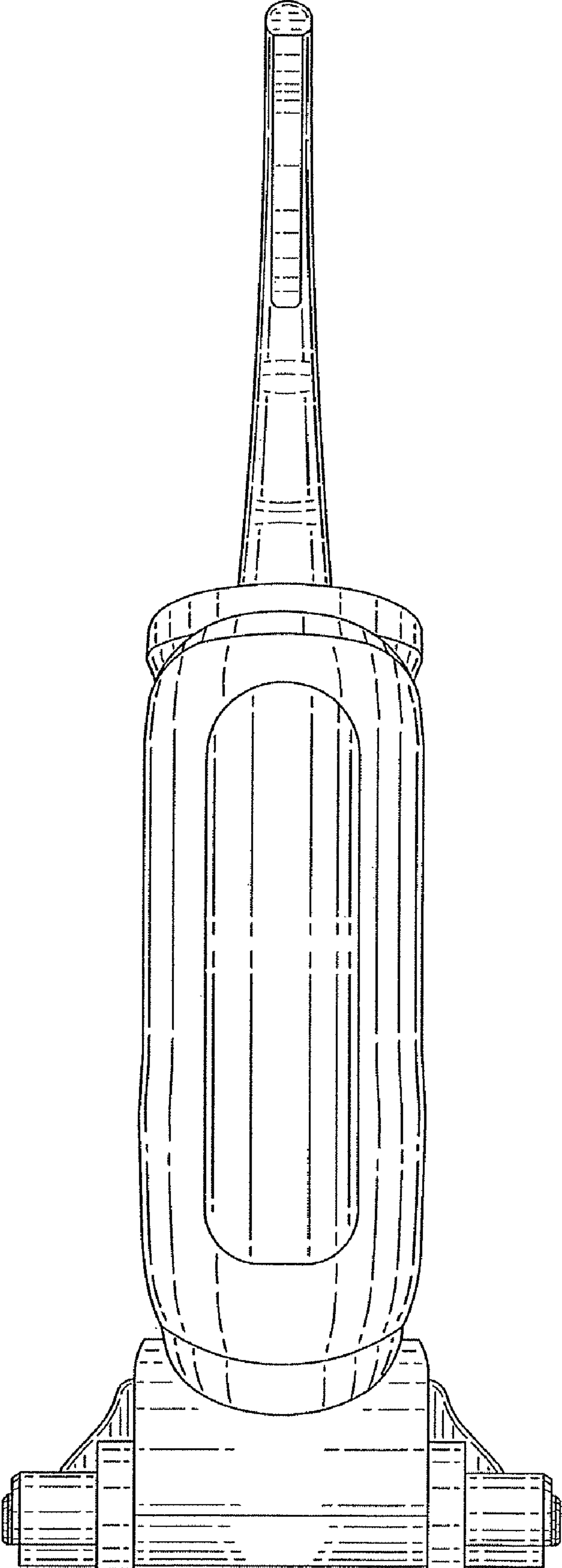


FIG. 4

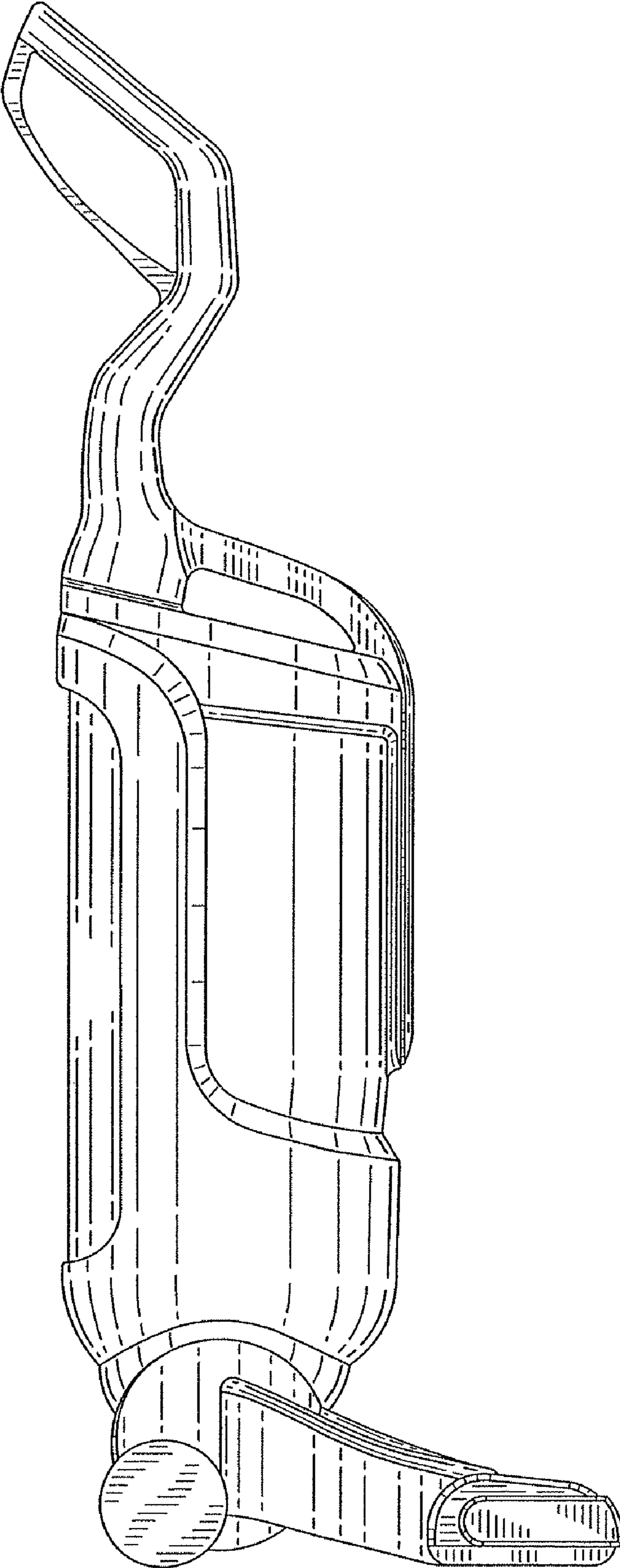
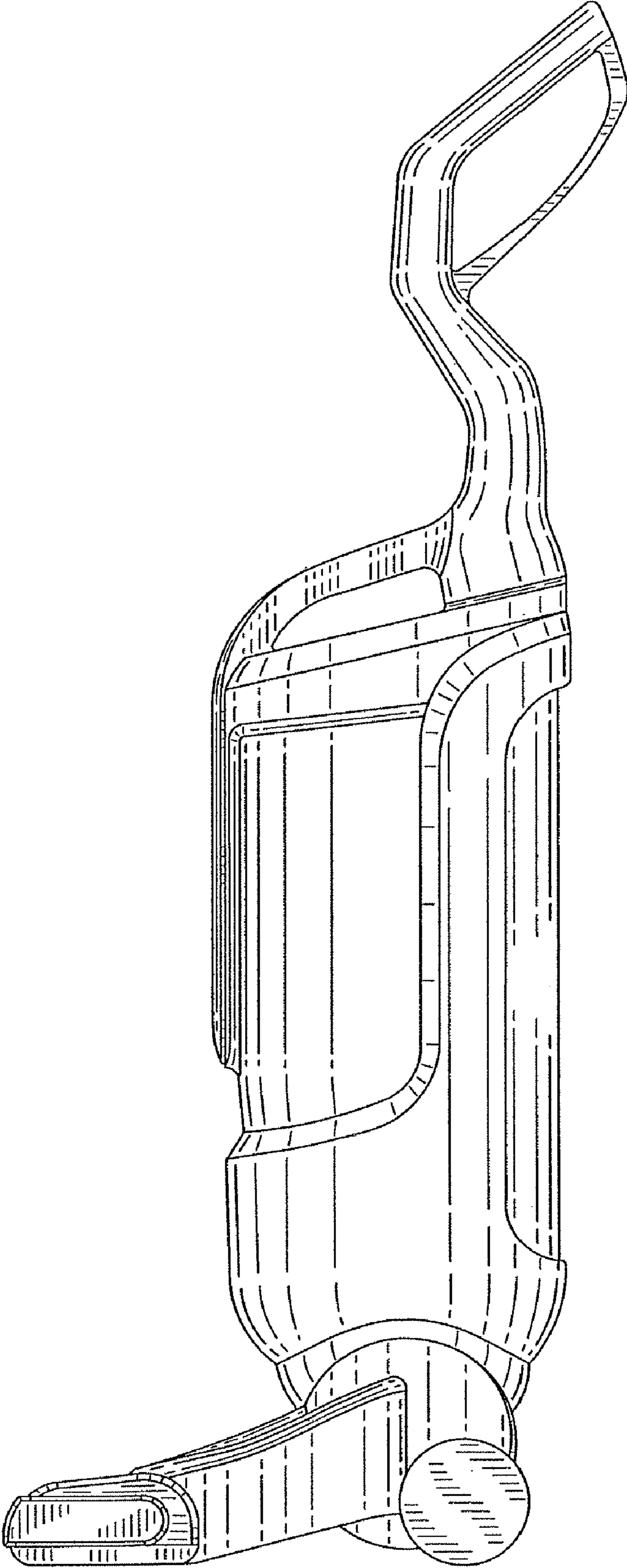


FIG. 5



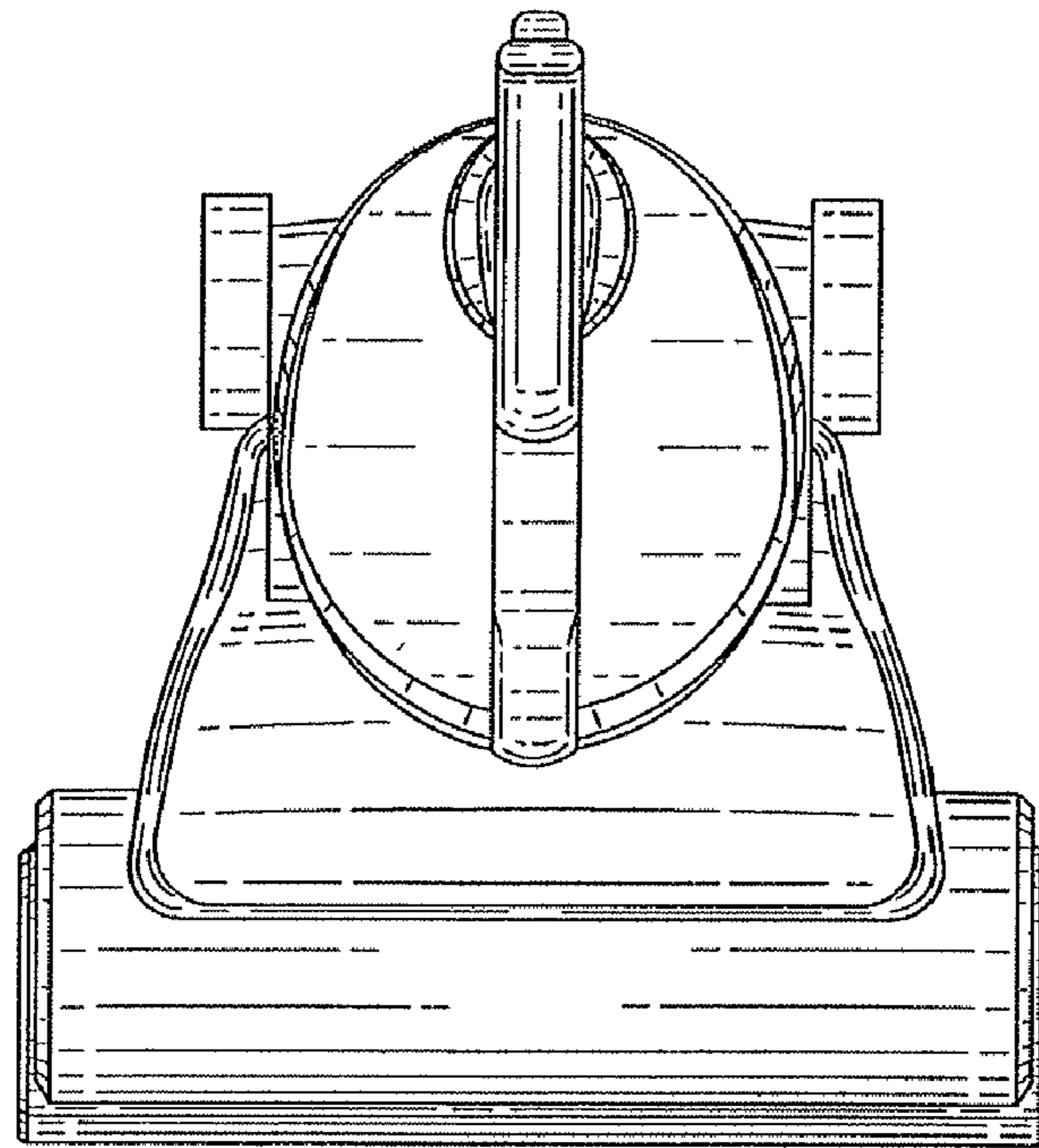


FIG. 6

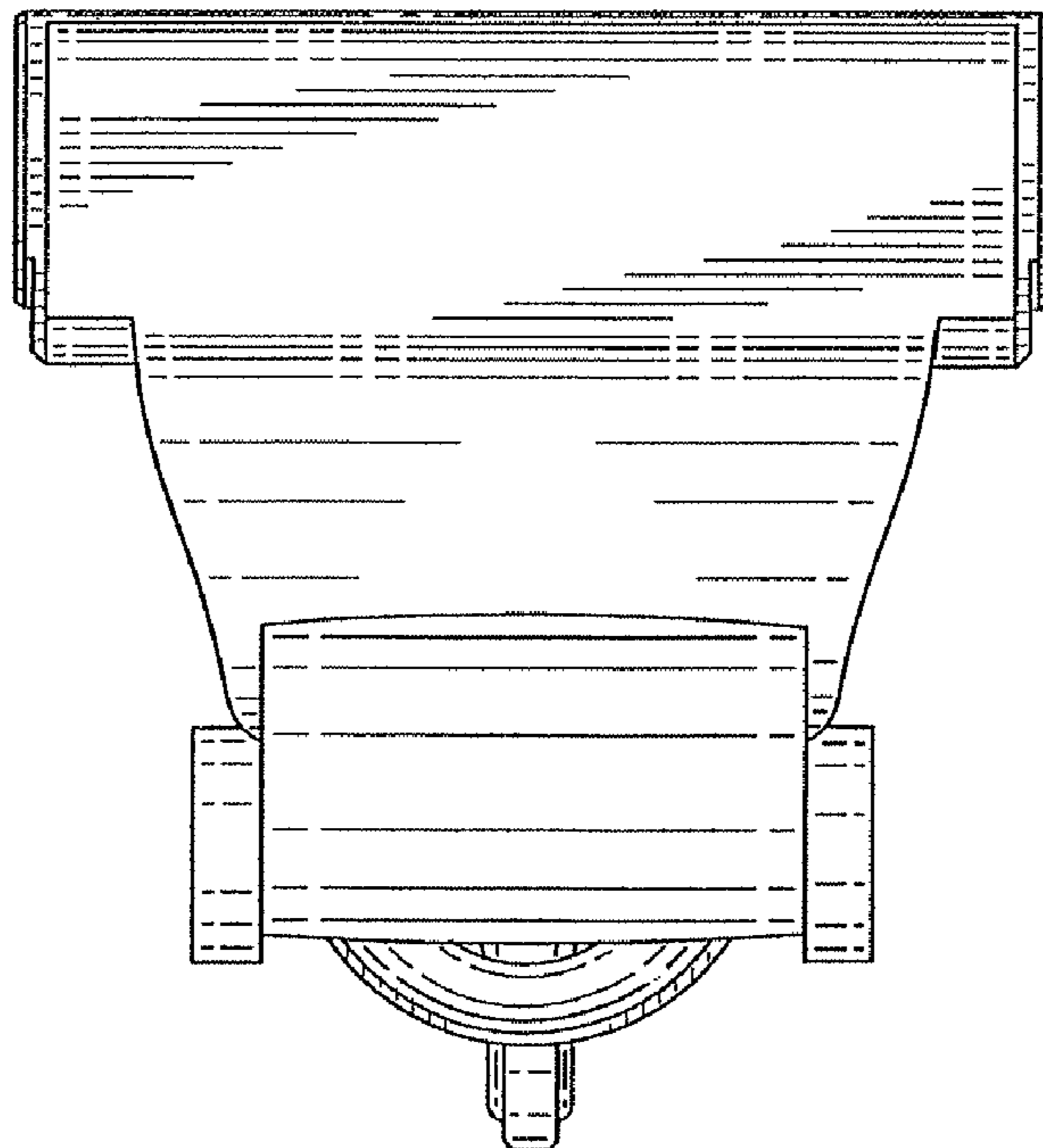


FIG. 7

UNITED STATES PATENT AND TRADEMARK OFFICE
CERTIFICATE OF CORRECTION

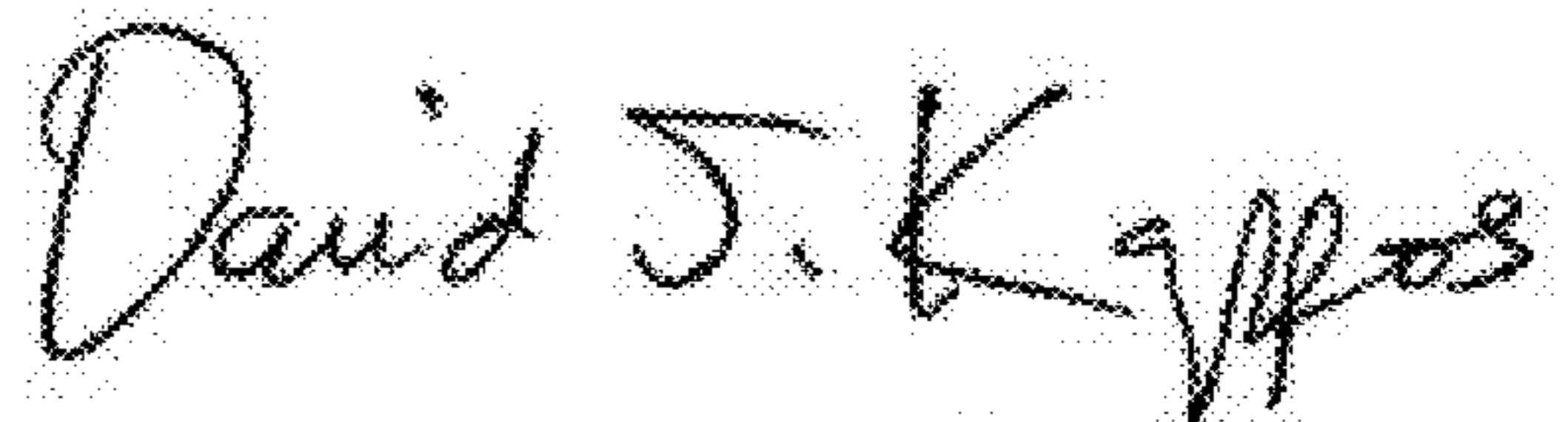
PATENT NO. : D652,589 S
APPLICATION NO. : 29/381302
DATED : January 17, 2012
INVENTOR(S) : Lee

Page 1 of 1

It is certified that error appears in the above-identified patent and that said Letters Patent is hereby corrected as shown below:

Title page, item (73), assignee name: "Samsun" should read --Samsung--.

Signed and Sealed this
Seventeenth Day of April, 2012

A handwritten signature in black ink that reads "David J. Kappos". The signature is written in a cursive, slightly slanted style.

David J. Kappos
Director of the United States Patent and Trademark Office