



US00D652587S

(12) **United States Design Patent**
Matsuo et al.

(10) **Patent No.:** **US D652,587 S**
(45) **Date of Patent:** **** Jan. 17, 2012**

(54) **PET TOILET**

(75) Inventors: **Takayuki Matsuo**, Kagawa (JP);
Tomoko Hirao, Kagawa (JP); **Daisuke Kaneda**, Kagawa (JP)

(73) Assignee: **Uni-Charm Corporation**, Ehime (JP)

(**) Term: **14 Years**

(21) Appl. No.: **29/381,703**

(22) Filed: **Dec. 22, 2010**

(51) **LOC (9) Cl.** **30-99**

(52) **U.S. Cl.** **D30/161**

(58) **Field of Classification Search** D30/161;
D28/7-8; D4/114, 127, 137; D32/40, 52;
D7/619.1-625, 387-389; 119/161-170,
119/28.5; 211/71.01, 74; 215/392-396;
220/737; 248/311.2, 346.01, 346.11; 15/104.93,
15/104.94, 209.1, 244.1, 244.3, 244.4; 401/6,
401/139, 196, 205, 200-202, 207, 266

See application file for complete search history.

(56) **References Cited**

U.S. PATENT DOCUMENTS

2,194,669	A *	3/1940	Mumford	206/454
D125,285	S *	2/1941	Ohlhaber	D7/619.1
3,716,371	A *	2/1973	Calvert	426/2
3,745,975	A *	7/1973	Prucha	119/165
3,752,120	A *	8/1973	Palesi	119/166
3,890,931	A *	6/1975	Saver	119/161
3,908,597	A *	9/1975	Taylor	119/166
3,937,182	A *	2/1976	Kamimura	119/161
D244,701	S *	6/1977	Knochel et al.	D30/161
D246,392	S *	11/1977	Smith	D30/161

(Continued)

Primary Examiner — T. Chase Nelson

Assistant Examiner — Michelle E Wilson

(74) *Attorney, Agent, or Firm* — Brinks Hofer Gilson & Lione

(57) **CLAIM**

The ornamental design for a pet toilet, as shown and described.

DESCRIPTION

FIG. 1 is a front perspective view of a pet toilet bearing our new design;

FIG. 2 is a front view of the pet toilet of FIG. 1;

FIG. 3 is a back view of the pet toilet of FIG. 1;

FIG. 4 is a right side view of the pet toilet of FIG. 1, the left side view being a mirror image of the right side view;

FIG. 5 is a top view of the pet toilet of FIG. 1;

FIG. 6 is a bottom view of the pet toilet of FIG. 1;

FIG. 7 is a cross-sectional view of the pet toilet taken along section lines 7-7' in FIG. 5;

FIG. 8 is a cross-sectional view of the pet toilet taken along section lines 8-8' in FIG. 5;

FIG. 9 is a front view of an excrement storage container that defines a bottom portion of the pet toilet of FIG. 1, the back view being similar to the front view;

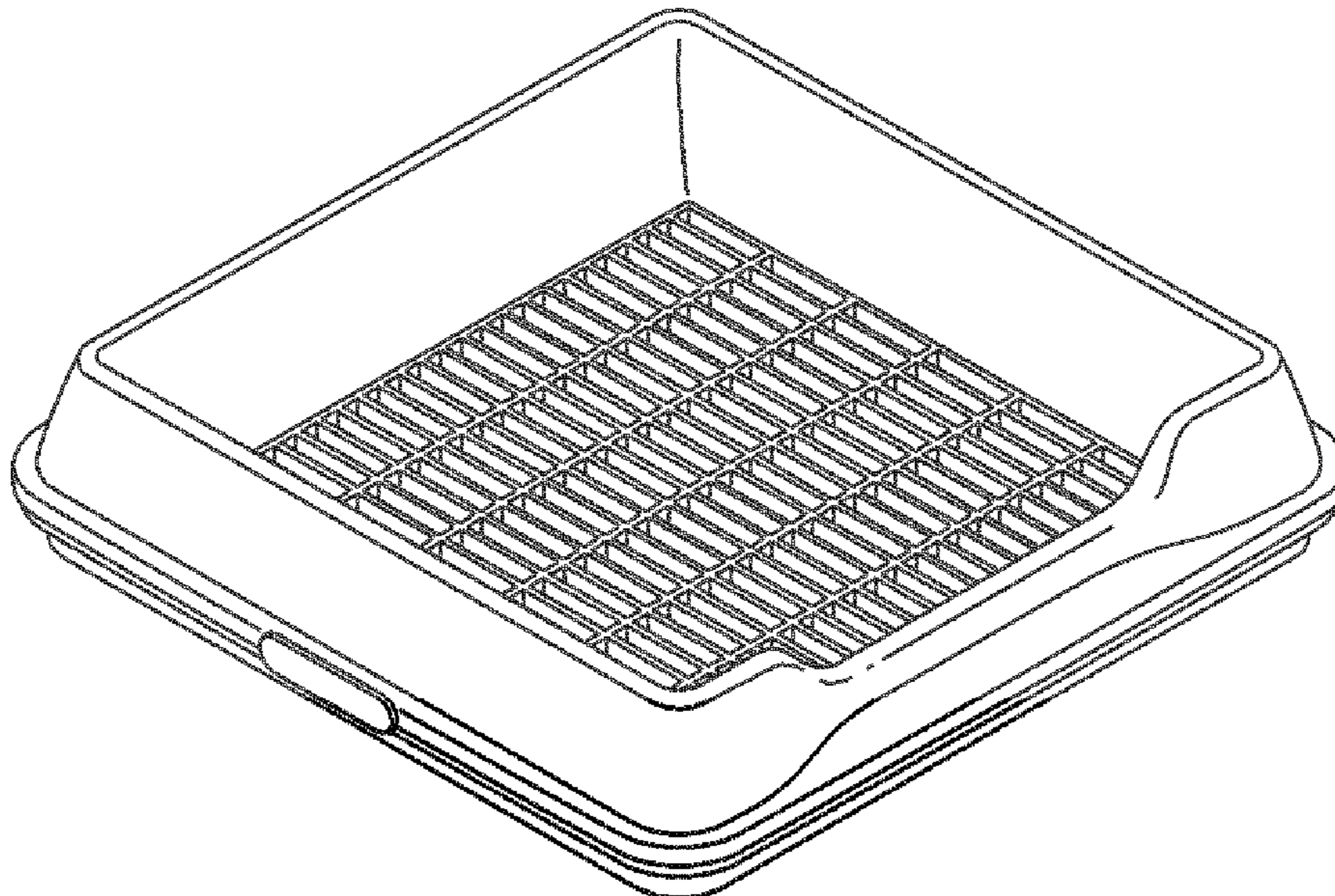
FIG. 10 is a right side view of the excrement storage container of FIG. 9, the left side view being a mirror image of the right side view;

FIG. 11 is a top view of the excrement storage container of FIG. 9;

FIG. 12 is a bottom view of the excrement storage container of FIG. 9; and,

FIG. 13 is a cross-sectional view of the excrement storage container taken along section lines 13-13' in FIG. 11.

1 Claim, 7 Drawing Sheets



US D652,587 S

Page 2

U.S. PATENT DOCUMENTS

4,325,325	A *	4/1982	Larter	119/166	D351,693	S *	10/1994	Sutton	D30/161
4,505,226	A *	3/1985	Carlson	119/166	D351,694	S *	10/1994	Evans	D30/161
4,779,567	A *	10/1988	Smith	119/165	D361,649	S *	8/1995	De La Chevrotiere	D30/161
4,784,082	A *	11/1988	Wolfe	119/167	D362,572	S *	9/1995	Joseph, Jr.	D6/511
4,807,563	A *	2/1989	Berry et al.	119/168	D364,944	S *	12/1995	Blaine	D30/161
D317,070	S *	5/1991	Ott et al.	D3/314	D372,565	S *	8/1996	Rice	D30/161
5,035,205	A *	7/1991	Schiller et al.	119/168	D380,880	S *	7/1997	Reid	D30/161
5,195,464	A *	3/1993	Mutter	119/165	D617,959	S *	6/2010	Twu	D30/161
D340,323	S *	10/1993	Wagner	D30/161	D621,105	S *	8/2010	Askinasi	D30/161

* cited by examiner

FIG. 1

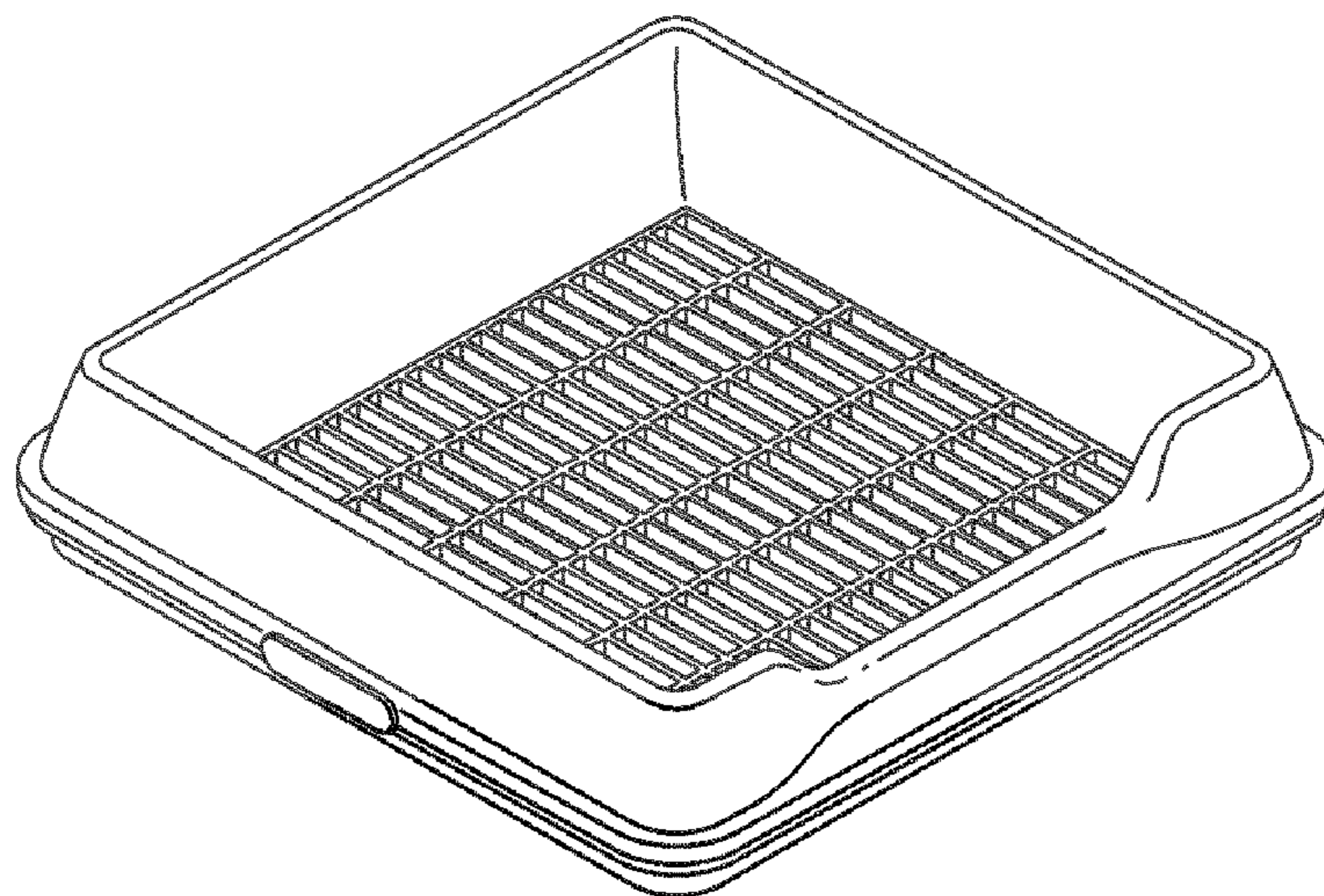


FIG. 2

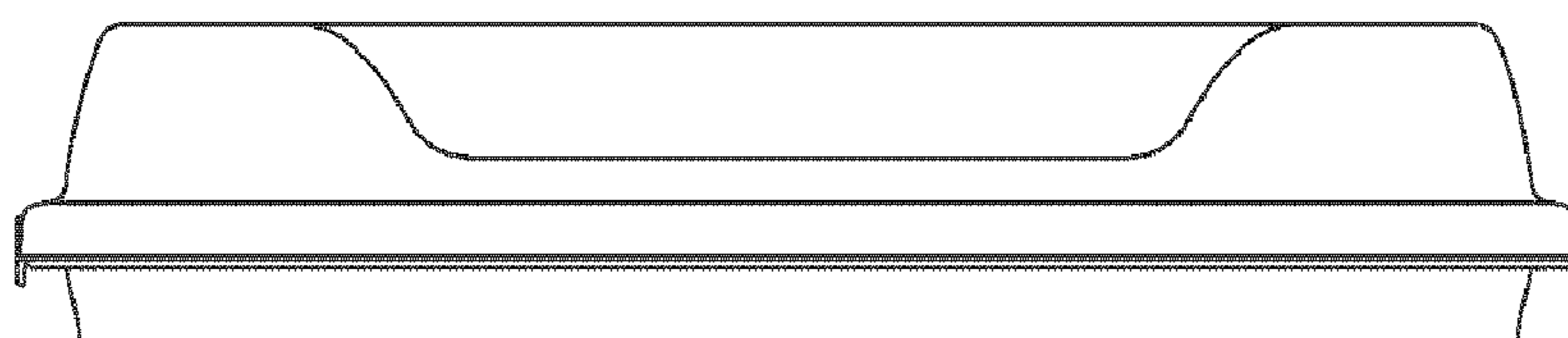


FIG. 3

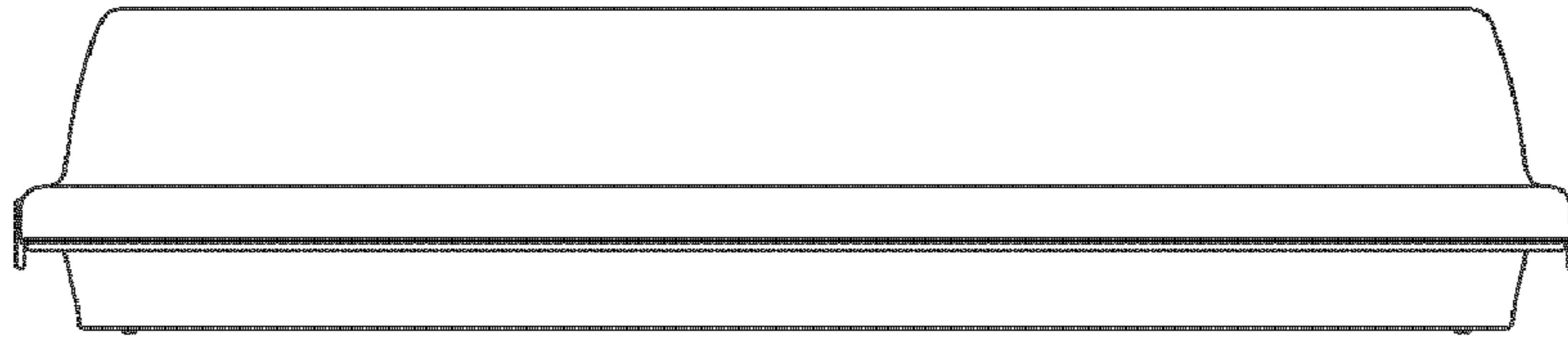


FIG. 4

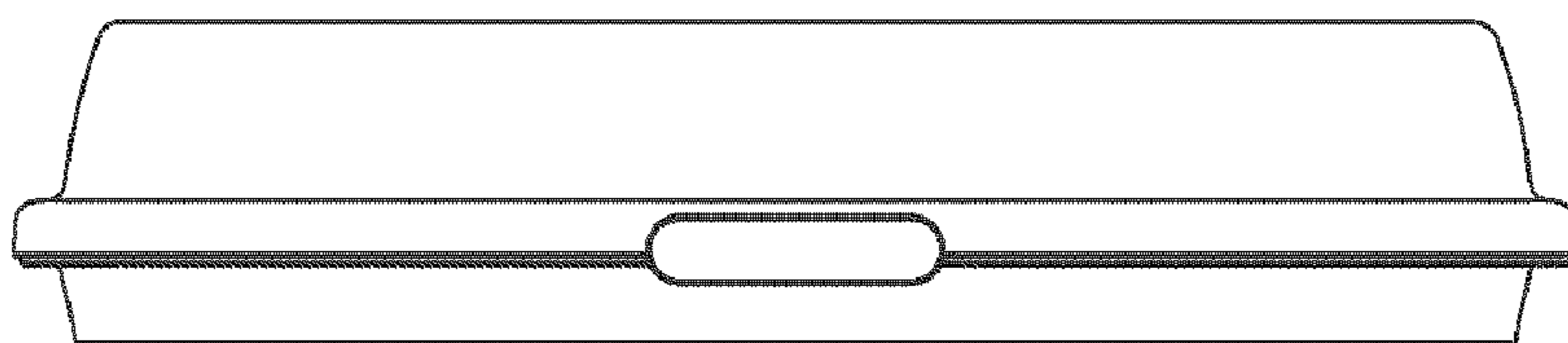


FIG. 5

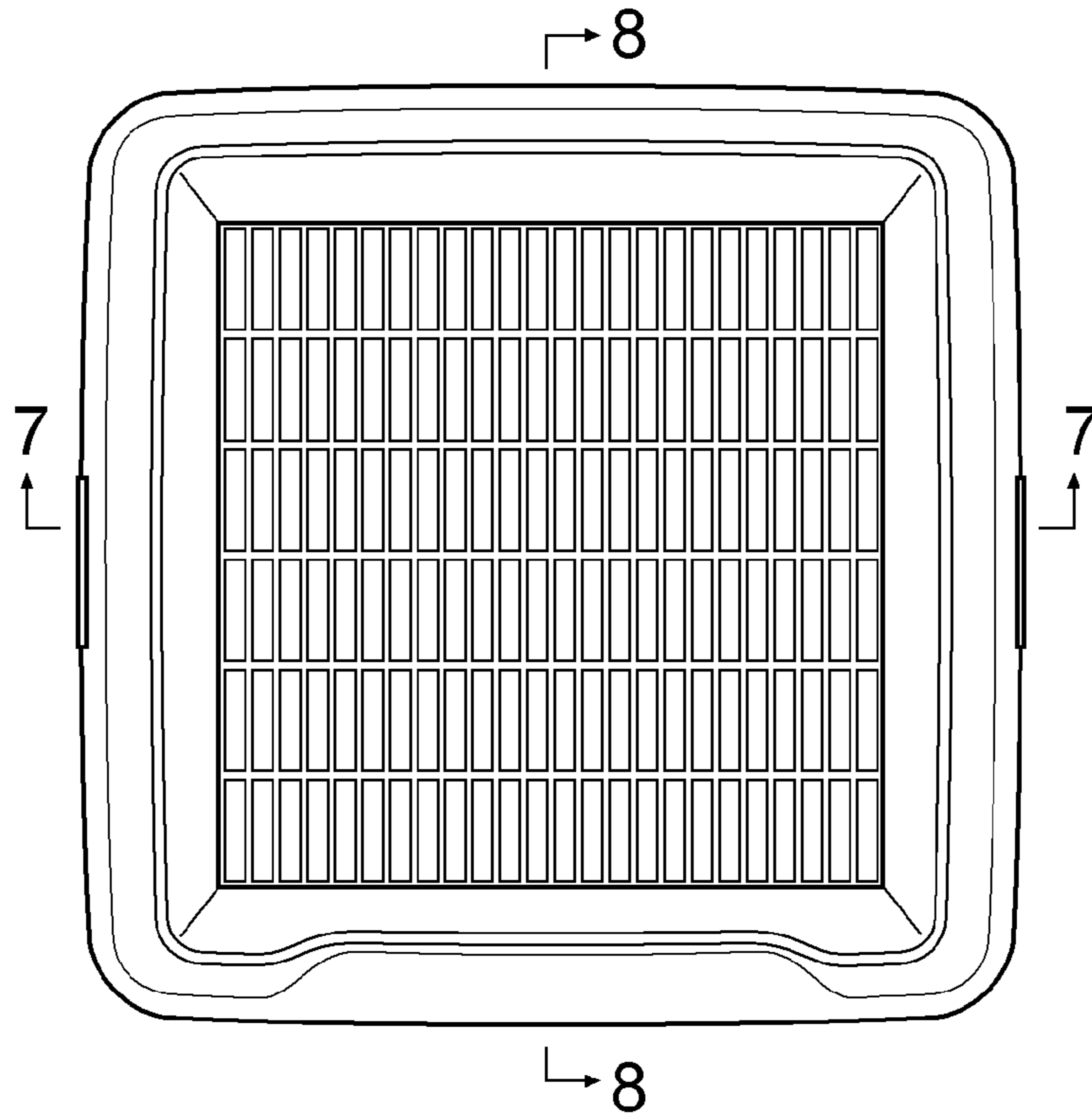


FIG. 6

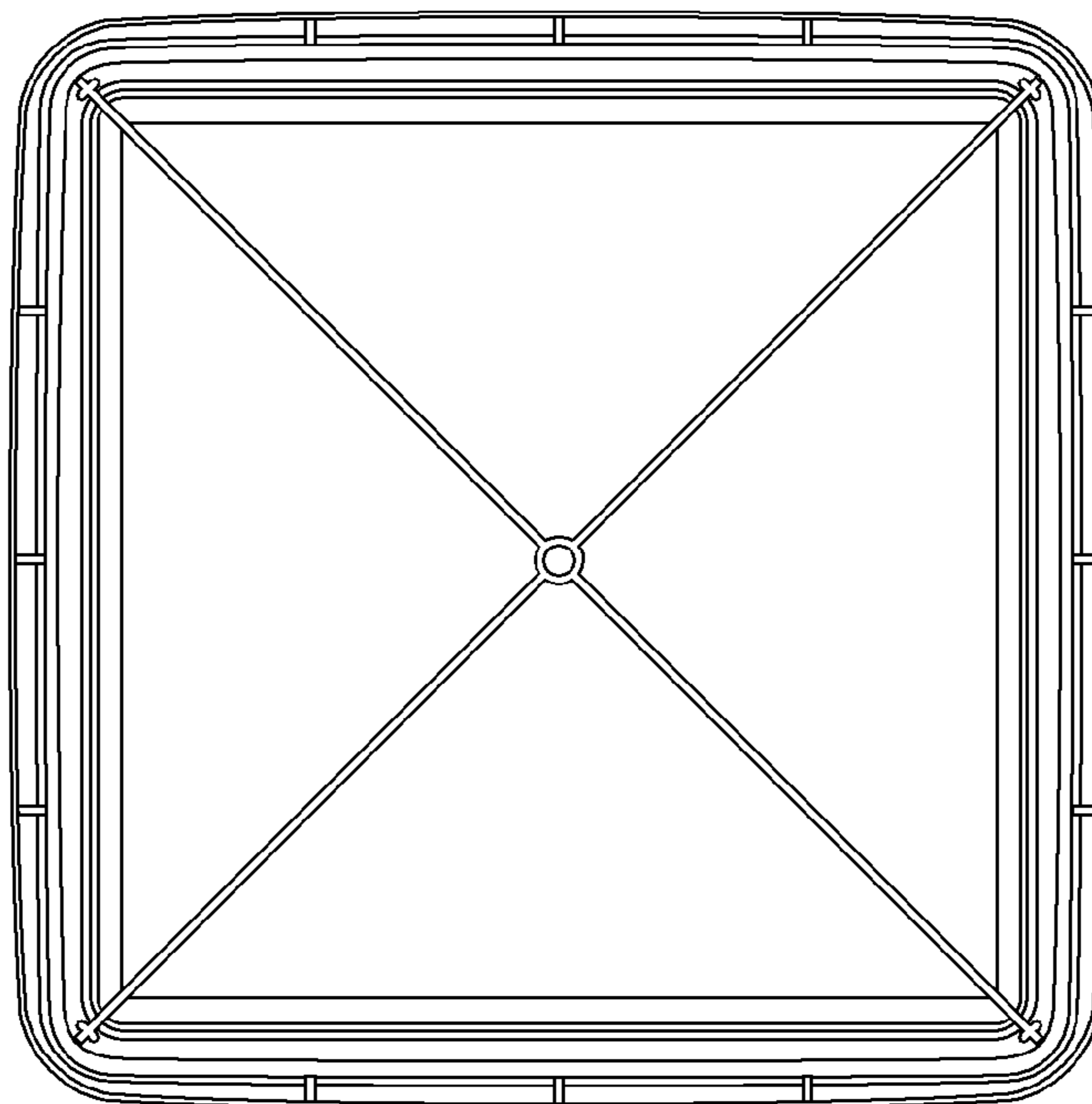


FIG. 7

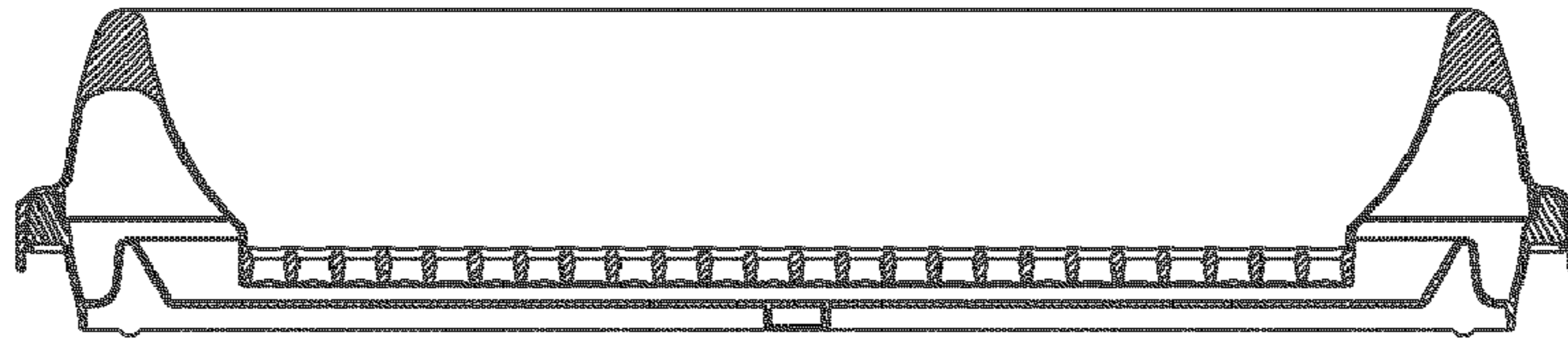


FIG. 8

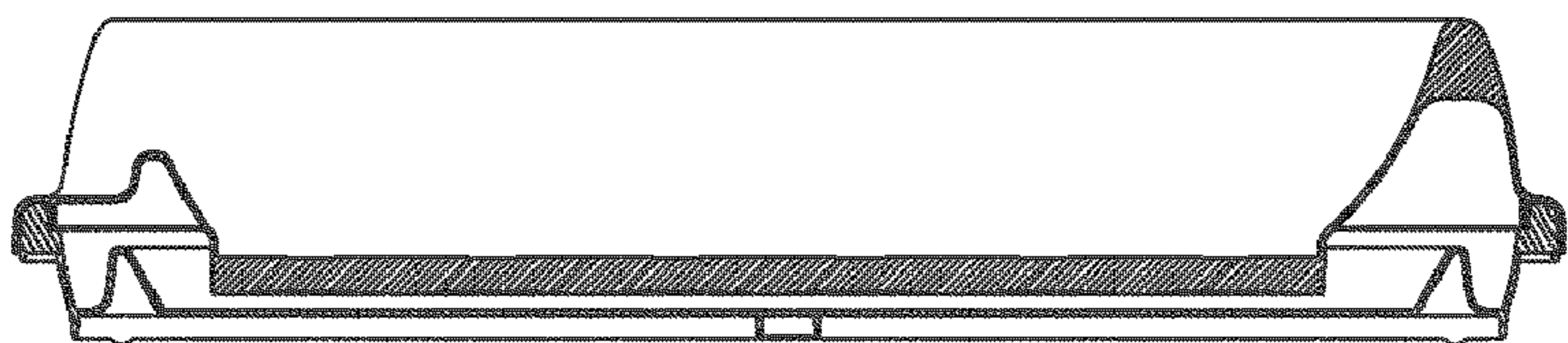


FIG. 9

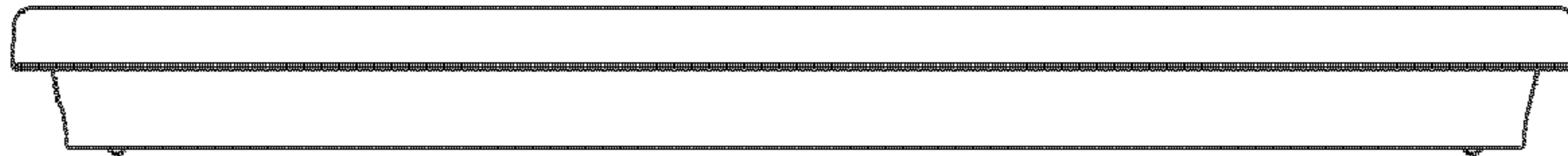


FIG. 10

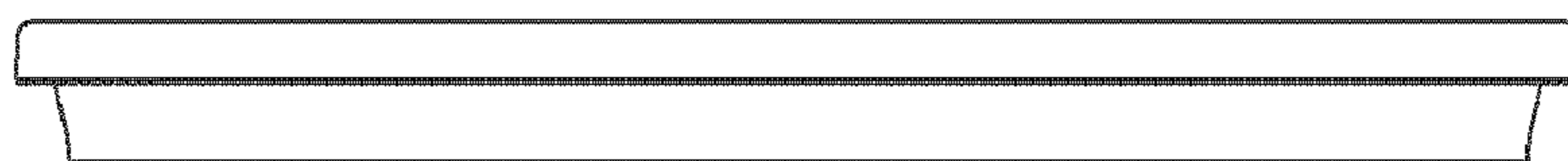


FIG. 11

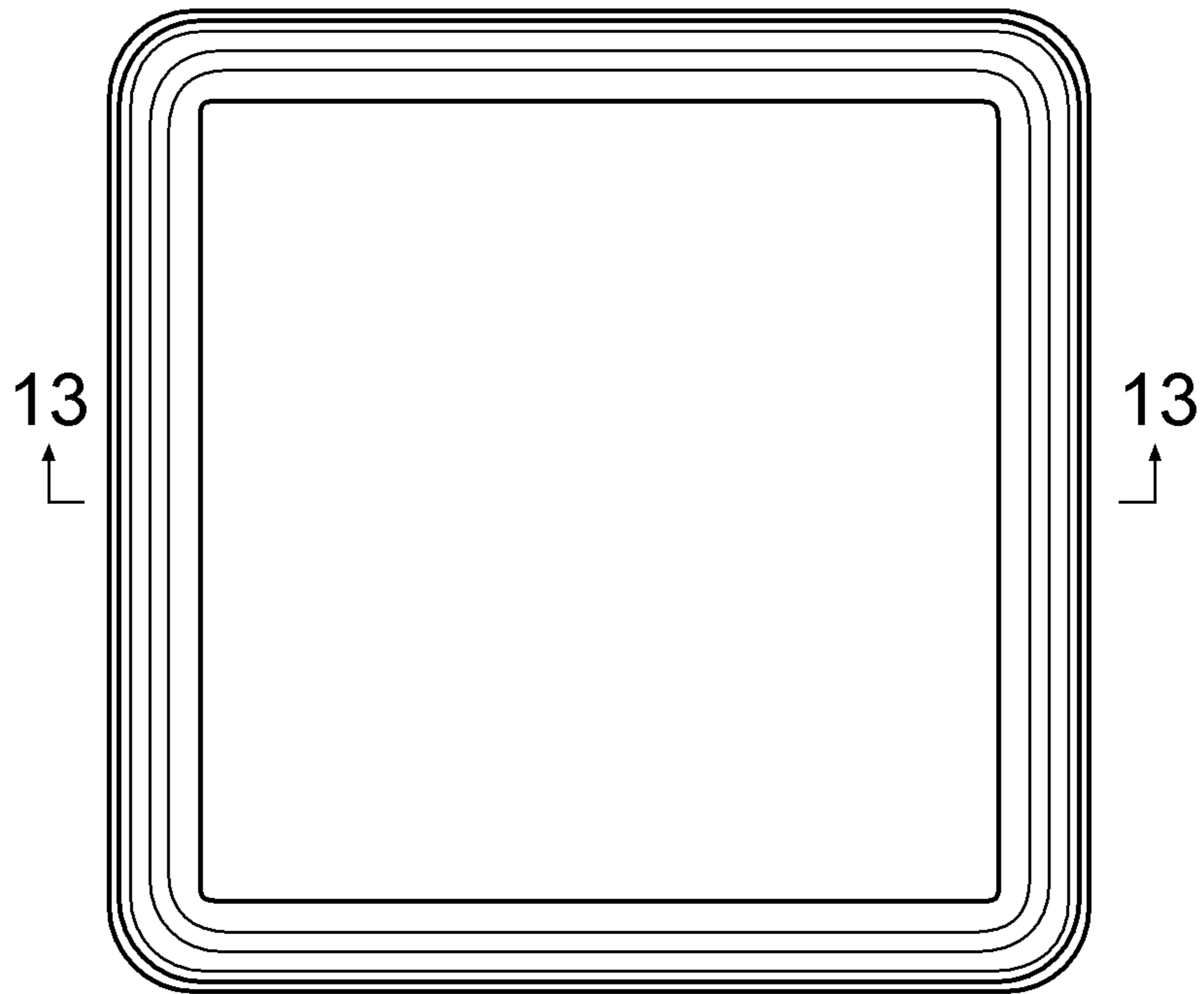


FIG. 12

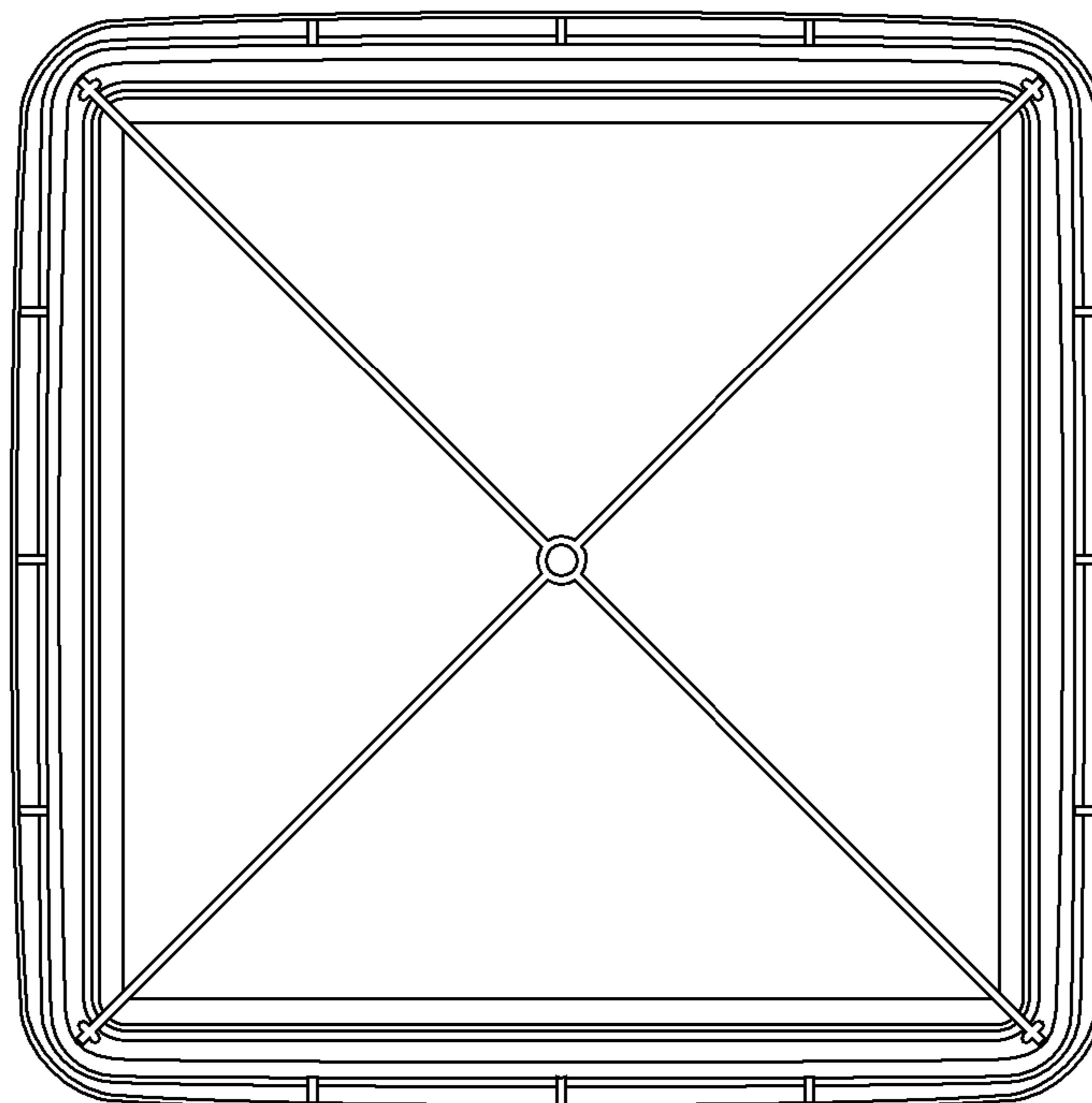


FIG. 13

