



US00D652585S

(12) **United States Design Patent**
Lawley

(10) **Patent No.:** **US D652,585 S**
(45) **Date of Patent:** **** Jan. 17, 2012**

- (54) **WEBBING DOG HARNESS**
- (76) Inventor: **Lance W. Lawley**, Evans, CO (US)
- (**) Term: **14 Years**
- (21) Appl. No.: **29/389,758**
- (22) Filed: **Apr. 15, 2011**
- (51) **LOC (9) Cl.** **30-04**
- (52) **U.S. Cl.** **D30/153**
- (58) **Field of Classification Search** 318/257;
D30/154, 160, 151, 199, 153, 152; 119/707-712,
119/786-788, 791, 780, 782, 769-771, 792-799,
119/758, 760, 784, 802, 856, 857, 863, 865,
119/719, 859, 908, 776; D21/791, 840; D8/1,
D8/14, 47; 248/121, 521, 545, 499, 145,
248/156, 508, 530, 125.1, 125.3, 125.8, 690;
211/205; 52/155, 166, 157, 162, 163; 135/118;
403/360, 378; 473/149, 147; D26/138; 362/401;
410/101; 405/259.1, 244; 182/3; 24/523,
24/525, 299, 594.11, DIG. 35, 3.2, 600.7,
24/905; D24/199; 54/71, 34; 267/113, 136,
267/34, 70-72; 16/66; 340/573.3, 668; 294/82.34,
294/19.1; 114/221 R; 441/75; 128/878,
128/882, DIG. 15; D29/120.1-120.2
See application file for complete search history.

- 3,311,088 A * 3/1967 Peterlin 119/793
- 3,441,005 A * 4/1969 Fink 119/798
- 3,521,887 A * 7/1970 Butkus 473/147
- 3,804,409 A * 4/1974 Schachner 473/423
- 3,994,264 A * 11/1976 Flynt 119/815

(Continued)

Primary Examiner — Susan Moon Lee
(74) *Attorney, Agent, or Firm* — Patent Law Offices of Rick Martin, P.C.

(57) **CLAIM**
The ornamental design for a webbing dog harness, as shown and described.

DESCRIPTION

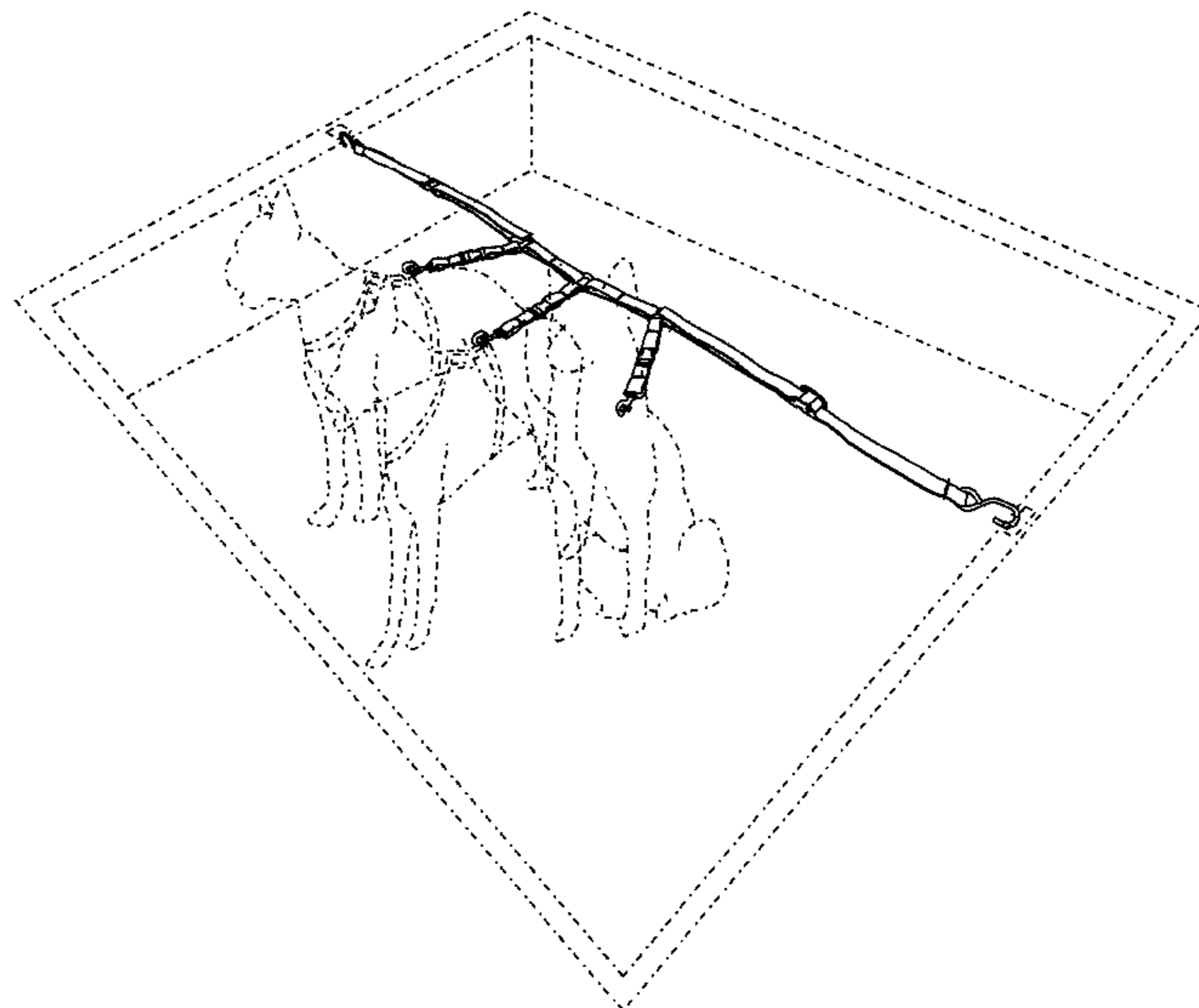
FIG. 1 is a top perspective view of my new design for a webbing dog harness;
 FIG. 2 is a top plan section view of my new design for a webbing dog harness;
 FIG. 3 is a top plan section view, a continuation from FIG. 1, of my new design for a webbing dog harness;
 FIG. 4 is a rear elevation section view of my new design for a webbing dog harness;
 FIG. 5 is a rear elevation section view, a continuation from FIG. 4, of my new design for a webbing dog harness;
 FIG. 6 is a front elevation section view, of my new design for a webbing dog harness;
 FIG. 7 is a front elevation section view, a continuation from FIG. 6, of my new design for a webbing dog harness;
 FIG. 8 is a bottom plan section view of my new design for a webbing dog harness;
 FIG. 9 is a bottom plan section view, a continuation from FIG. 8, of my new design for a webbing dog harness; and,
 FIG. 10 is a right side elevation view of my new design for a webbing dog harness, the left side elevation view being a mirror image thereof.
 The broken line elements are not claimed.

1 Claim, 5 Drawing Sheets

(56) **References Cited**

U.S. PATENT DOCUMENTS

- 600,608 A * 3/1898 Boston 450/64
- D76,620 S * 10/1928 Lederer D11/3
- 1,879,991 A * 9/1932 Pratt 24/115 G
- 1,906,073 A * 4/1933 McCarty 119/864
- 1,957,577 A * 5/1934 Chapman 150/160
- 2,561,487 A * 7/1951 Bailhe 114/230.26
- 2,670,712 A * 3/1954 Patience et al. 119/856
- 2,909,154 A * 10/1959 Thomas 119/771
- 2,970,729 A * 2/1961 Allen 294/149
- 3,120,403 A * 2/1964 Molzan et al. 294/74



US D652,585 S

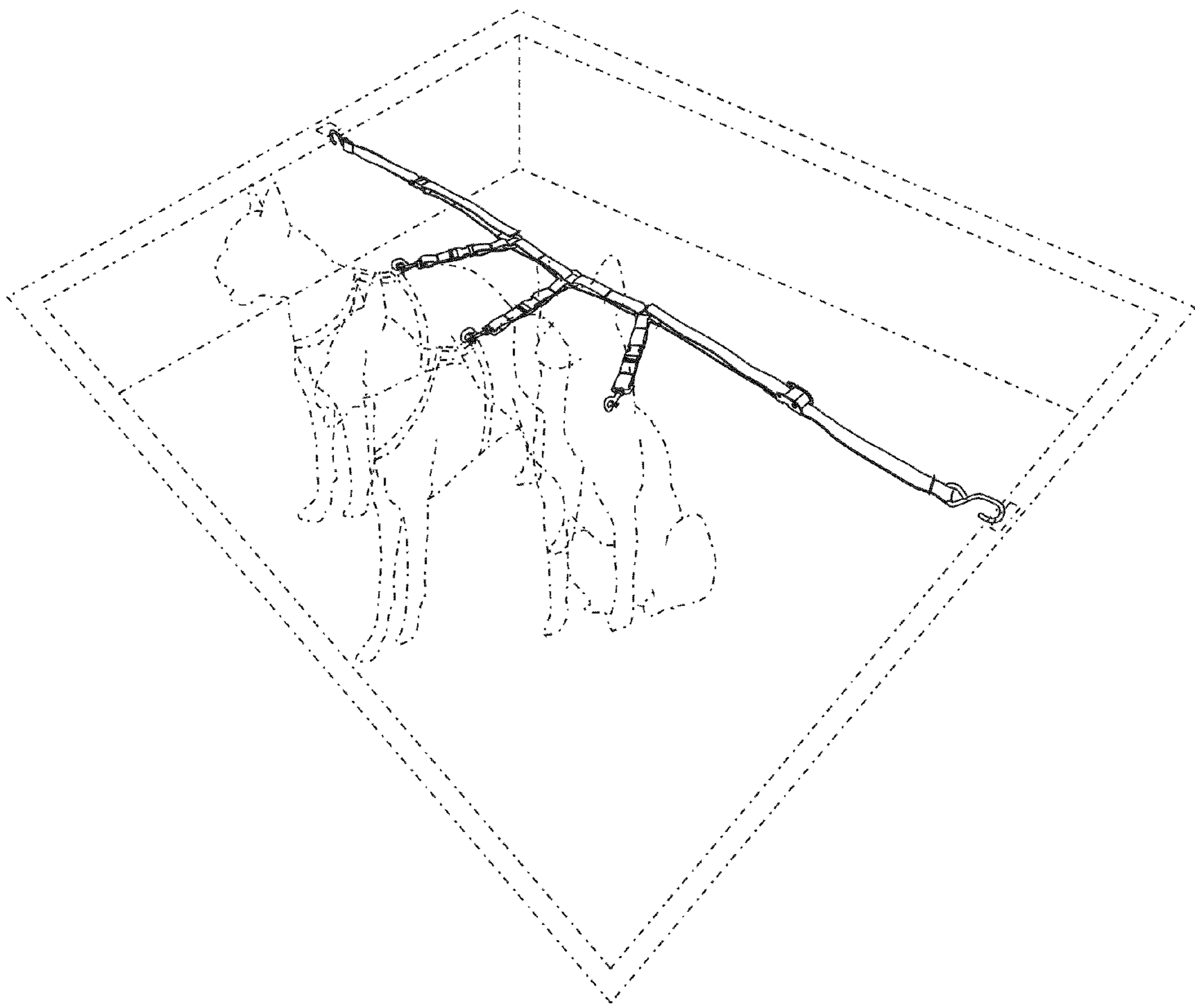
Page 2

U.S. PATENT DOCUMENTS

D252,931	S *	9/1979	Tamarin	D16/243
4,361,934	A *	12/1982	Darnell	24/3.12
D275,266	S *	8/1984	Kawahara	D8/383
D278,456	S *	4/1985	Lewis	D22/199
D284,712	S *	7/1986	Loftin	D2/627
4,998,507	A *	3/1991	Browning	119/799
5,038,717	A *	8/1991	Bent	119/815
D324,010	S *	2/1992	Russell et al.	D12/133
D337,396	S *	7/1993	Werner	D30/153
D342,560	S *	12/1993	Cross	D21/805
5,351,346	A *	10/1994	Hodges, Jr.	4/605
5,394,592	A *	3/1995	Quick	24/16 R
D359,836	S *	7/1995	Shuler	D29/101.5
5,483,925	A *	1/1996	Childress	119/795
D367,245	S *	2/1996	Triplett et al.	D11/216
5,511,293	A *	4/1996	Hubbard et al.	24/442
5,551,379	A *	9/1996	Hart	119/771
5,632,234	A *	5/1997	Parker	119/795
D379,688	S *	6/1997	Werner	D30/152
D381,888	S *	8/1997	Gonda et al.	D8/349
D382,379	S *	8/1997	Smith	D30/153
D390,704	S *	2/1998	Bloch	D3/327
D391,694	S *	3/1998	Eichhorn	D30/153
5,722,125	A *	3/1998	Vasilopoulos	24/301
5,785,011	A *	7/1998	Gitterman, III	119/865
5,797,814	A *	8/1998	Janes et al.	473/551
5,852,988	A *	12/1998	Gish	119/795
D407,867	S *	4/1999	Rubinstein	D30/153
D408,103	S *	4/1999	Snedeker	D30/153
6,047,665	A *	4/2000	Deveaux	119/770
D425,265	S *	5/2000	Rubinstein	D30/153
6,070,556	A *	6/2000	Edwards	119/792
6,161,505	A *	12/2000	Noguero	119/792
D440,144	S *	4/2001	Todd	D8/354
6,247,428	B1 *	6/2001	Mireles	119/795
6,257,163	B1 *	7/2001	Carpenter	114/253
6,273,029	B1 *	8/2001	Gish	119/792
6,401,666	B1 *	6/2002	Kircher	119/792
6,427,635	B1 *	8/2002	Ballard	119/771
6,434,800	B1 *	8/2002	James et al.	24/298
6,475,048	B2 *	11/2002	Gredy	441/129
6,539,897	B1 *	4/2003	Dossenback	119/795
D475,342	S *	6/2003	Mielnik	D12/417
D477,709	S *	7/2003	Natividad	D3/218
D488,286	S *	4/2004	Phillips, Jr.	D2/624
6,877,889	B2 *	4/2005	Peng et al.	362/570
D512,910	S *	12/2005	Haslam	D9/434
6,990,929	B2 *	1/2006	Young, III	119/798
7,020,935	B2 *	4/2006	Behn et al.	24/298
D590,576	S *	4/2009	Samuels et al.	D2/706
7,563,047	B2 *	7/2009	Paluda	401/131
D604,548	S *	11/2009	Cicione	D6/553
7,757,639	B1 *	7/2010	Prendes	119/772
7,886,701	B1 *	2/2011	Gordon	119/863
2011/0209674	A1 *	9/2011	Gordon	119/865

* cited by examiner

Fig 1



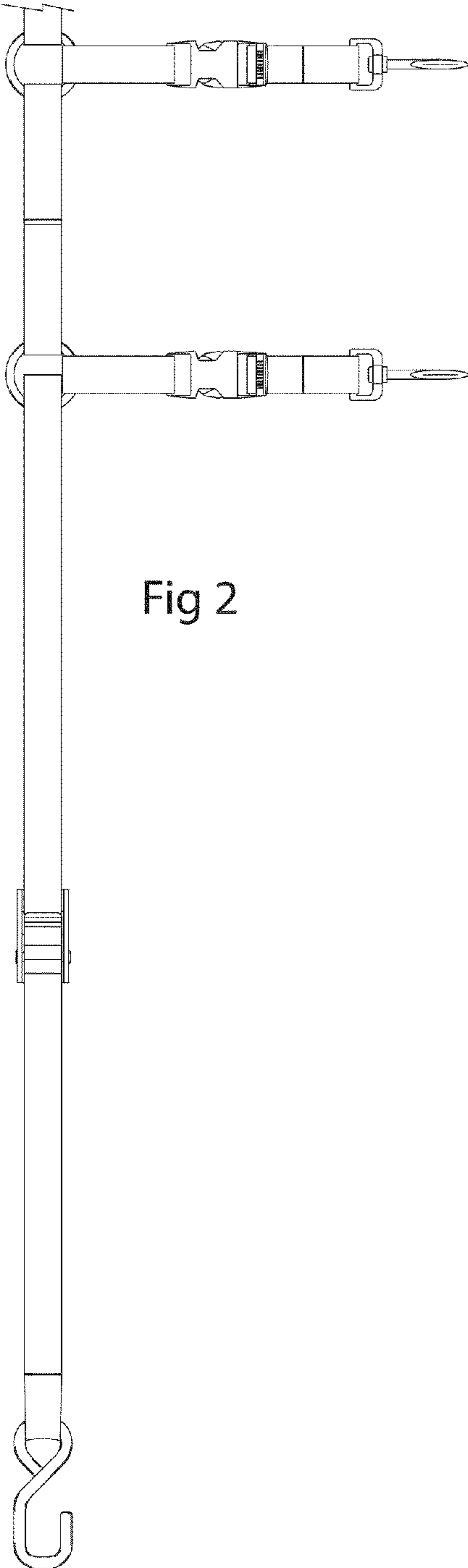


Fig 2

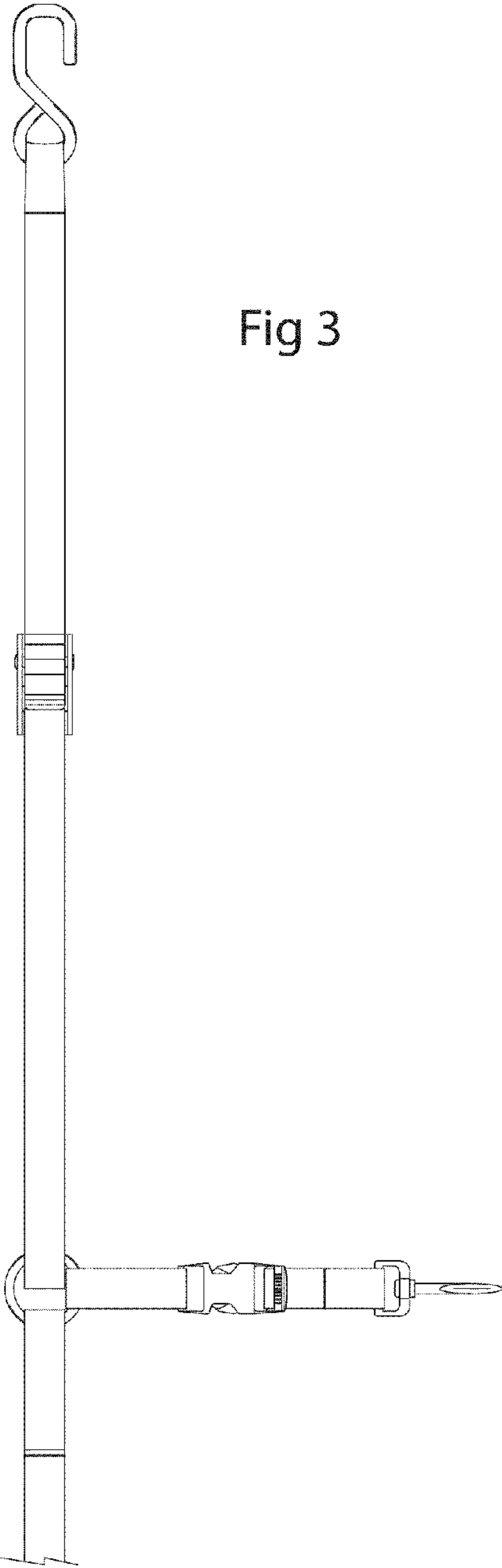
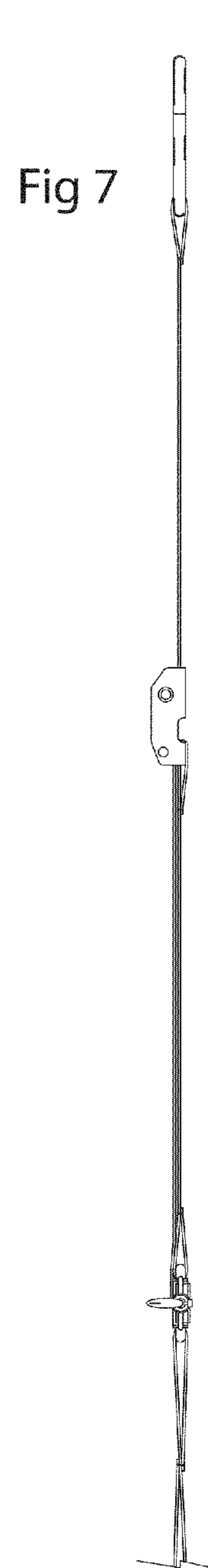
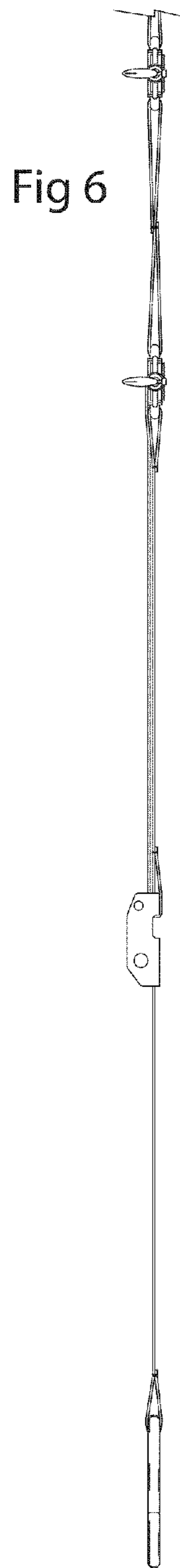
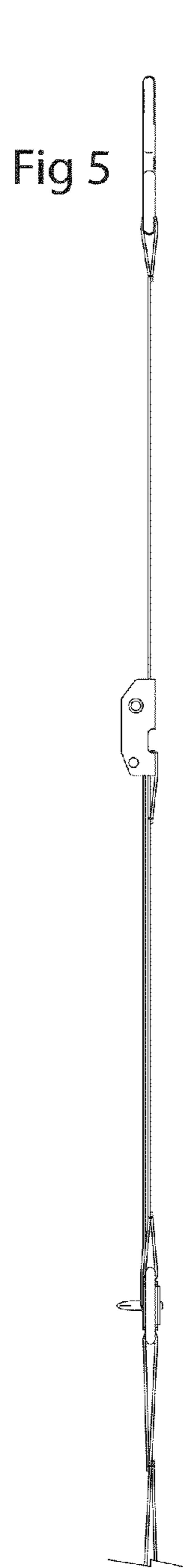
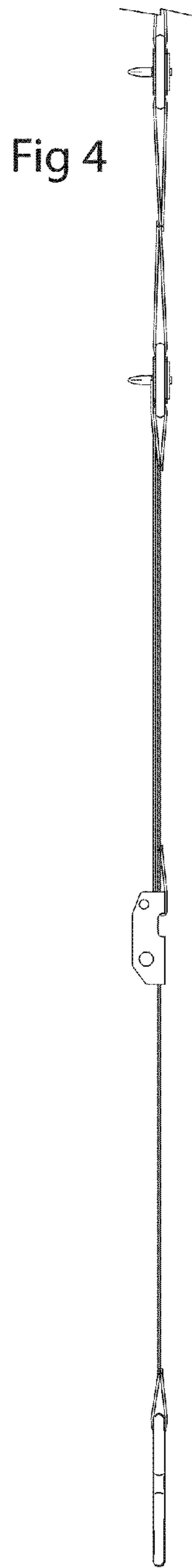


Fig 3



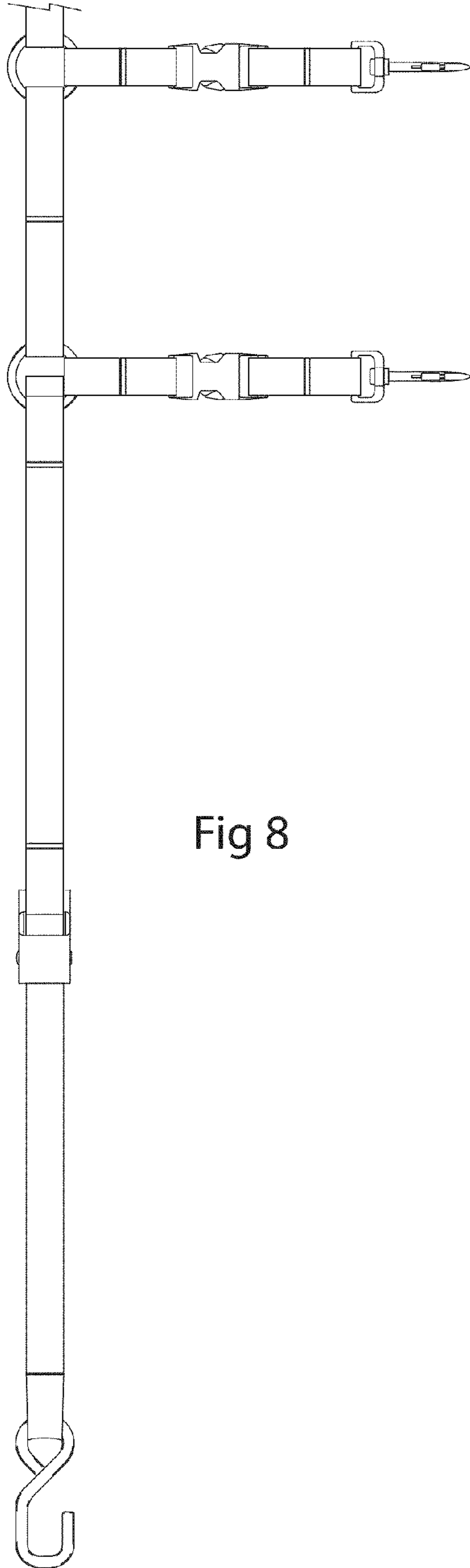


Fig 8

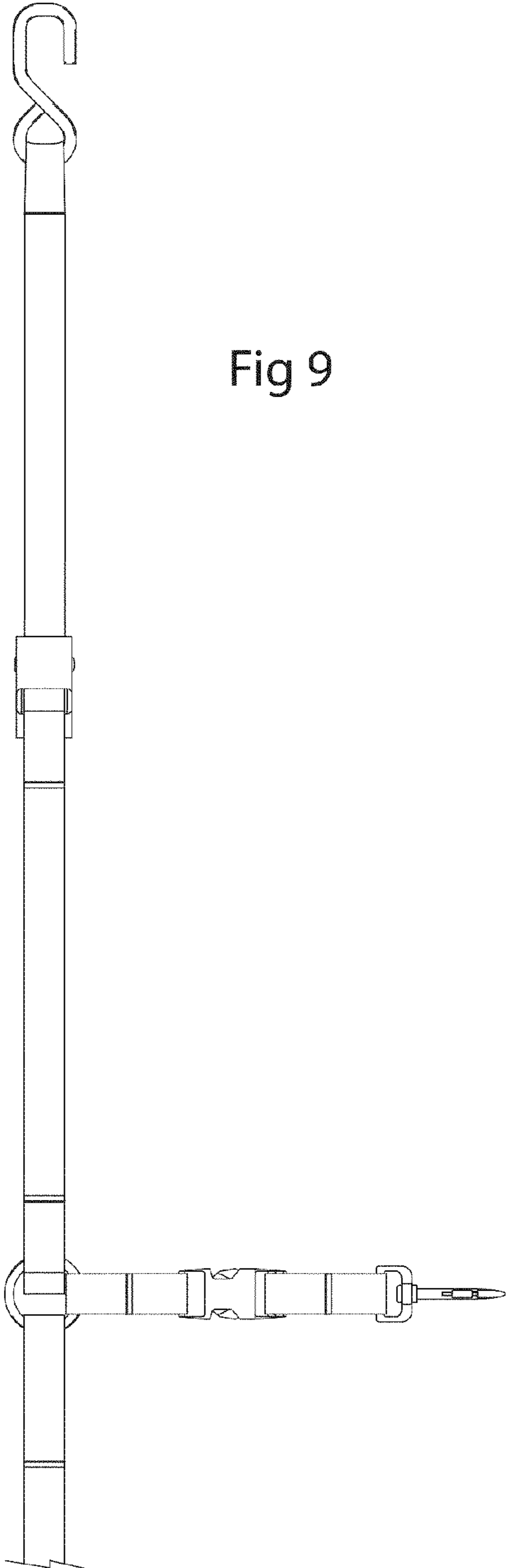


Fig 9

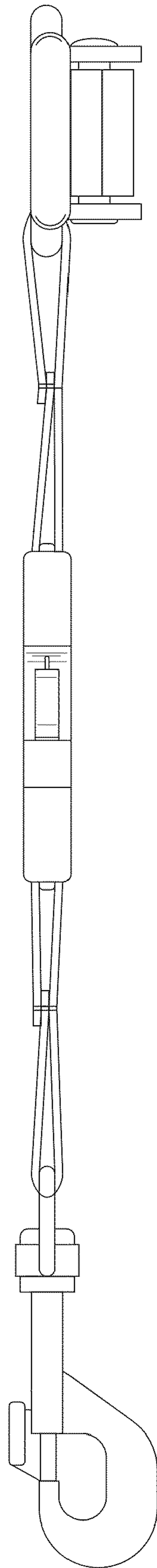


Fig 10