



US00D652581S

(12) **United States Design Patent**
Evans

(10) **Patent No.:** **US D652,581 S**
(45) **Date of Patent:** **** Jan. 17, 2012**

- (54) **DOG HARNESS**
- (75) Inventor: **Alecia B. Evans**, Basalt, CO (US)
- (73) Assignee: **Alecia B. Evans**, Basalt, CO (US)
- (**) Term: **14 Years**
- (21) Appl. No.: **29/389,726**
- (22) Filed: **Apr. 15, 2011**

Related U.S. Application Data

- (62) Division of application No. 29/367,234, filed on Aug. 4, 2010, now Pat. No. Des. 643,580.
- (51) **LOC (9) Cl.** **30-04**
- (52) **U.S. Cl.** **D30/152**
- (58) **Field of Classification Search** D30/152,
D30/144, 151, 153, 154; 119/702, 712, 792-798,
119/758, 760, 769, 770, 784, 815, 818, 856,
119/863, 864, 905, 907, 802, 857, 865, 725,
119/771; D21/805, 804; D3/217, 327, 271.2;
D29/101.1, 101.5, 101.3; D24/190; D34/28;
54/71
See application file for complete search history.

References Cited

U.S. PATENT DOCUMENTS

1,508,601	A *	9/1924	Huff	119/792
1,906,043	A *	4/1933	Bernstein	119/856
2,187,021	A *	1/1940	Everson	119/792
2,605,744	A *	8/1952	Urbanski	119/863
4,597,359	A *	7/1986	Moorman	119/28.5
D293,139	S *	12/1987	Roa	D30/152
D310,435	S *	9/1990	Cleveland	D30/152
5,247,905	A *	9/1993	Arakawa	119/863
5,370,083	A *	12/1994	Sporn	119/864
5,427,061	A *	6/1995	McCullough	119/771

5,471,953	A *	12/1995	Sporn	119/792
D366,542	S *	1/1996	Pierson	D30/152
5,611,298	A *	3/1997	Sporn	119/792
5,676,093	A *	10/1997	Sporn	119/792
5,794,571	A *	8/1998	Goldberg	119/792
5,915,335	A *	6/1999	Holt, Jr.	119/771
D424,761	S *	5/2000	Mortenson	D30/152
6,101,979	A *	8/2000	Wilson et al.	119/725
D434,535	S *	11/2000	Koch	D30/152
6,161,505	A *	12/2000	Noguero	119/792
6,164,245	A *	12/2000	Johnson	119/712
6,213,057	B1 *	4/2001	Franco et al.	119/793
6,314,915	B1 *	11/2001	Pope et al.	119/712
6,450,130	B1 *	9/2002	Goldberg	119/792
6,463,888	B2 *	10/2002	Clark	119/856

(Continued)

Primary Examiner — Susan Moon Lee

(74) *Attorney, Agent, or Firm* — Margaret Polson; Oppedahl Patent Law Firm LLC

(57) **CLAIM**

The ornamental design for a dog harness, as shown and described.

DESCRIPTION

FIG. 1 is a bottom perspective view of my new design for a dog harness with the evenly dotted lines showing stitching, which is part of the claimed design, and a snap hook and buckles in dot and dashed lines which is for illustrative purposes to show where the leash can be attached and does not form part of the claimed design.

FIG. 2 is a right and left side elevation view, which are mirror images, of FIG. 1.

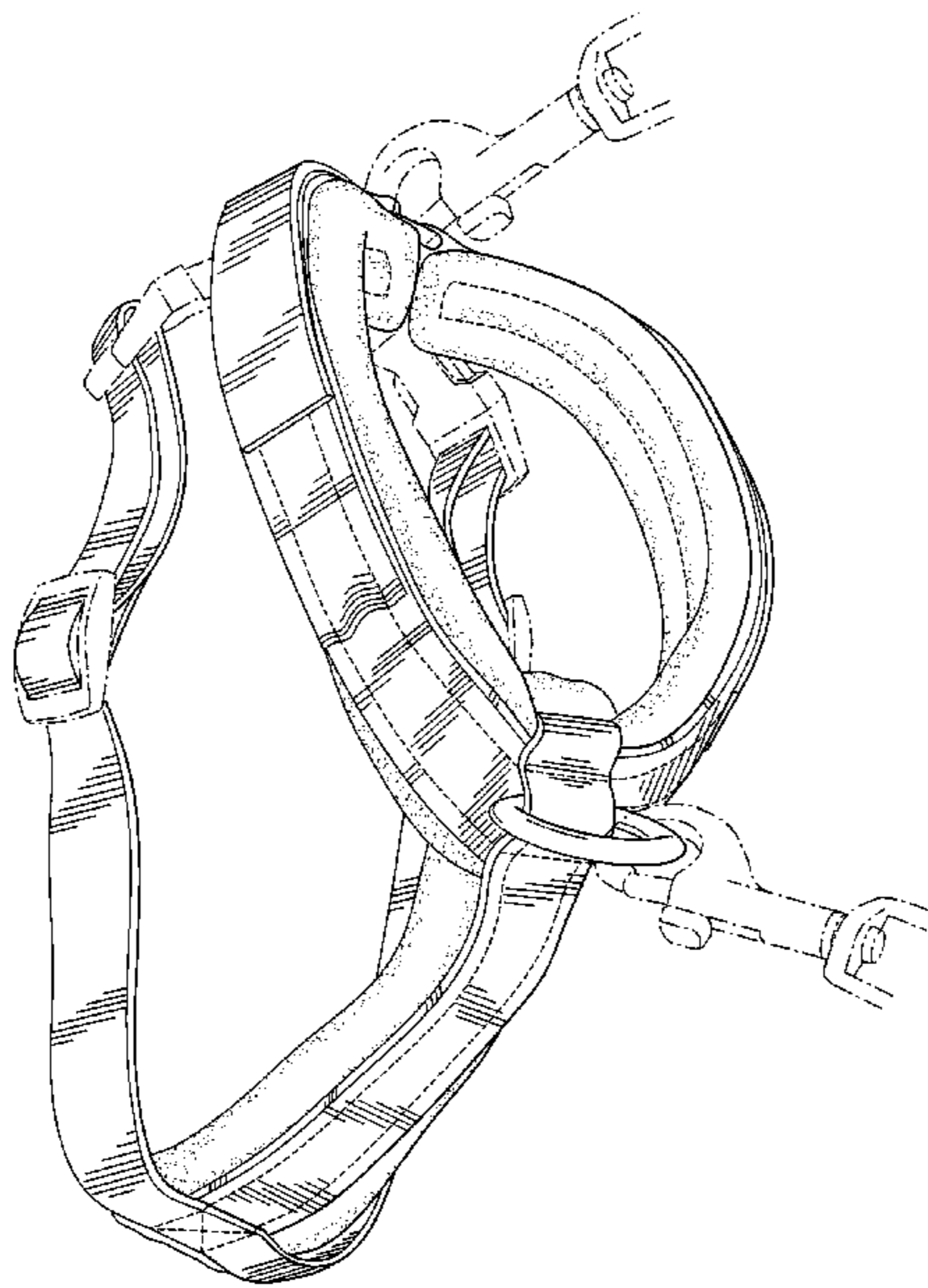
FIG. 3 is a front side elevation view of FIG. 1.

FIG. 4 is a back side elevation view of FIG. 1.

FIG. 5 is a top plan view of FIG. 1; and,

FIG. 6 is a bottom plan view of FIG. 1.

1 Claim, 4 Drawing Sheets



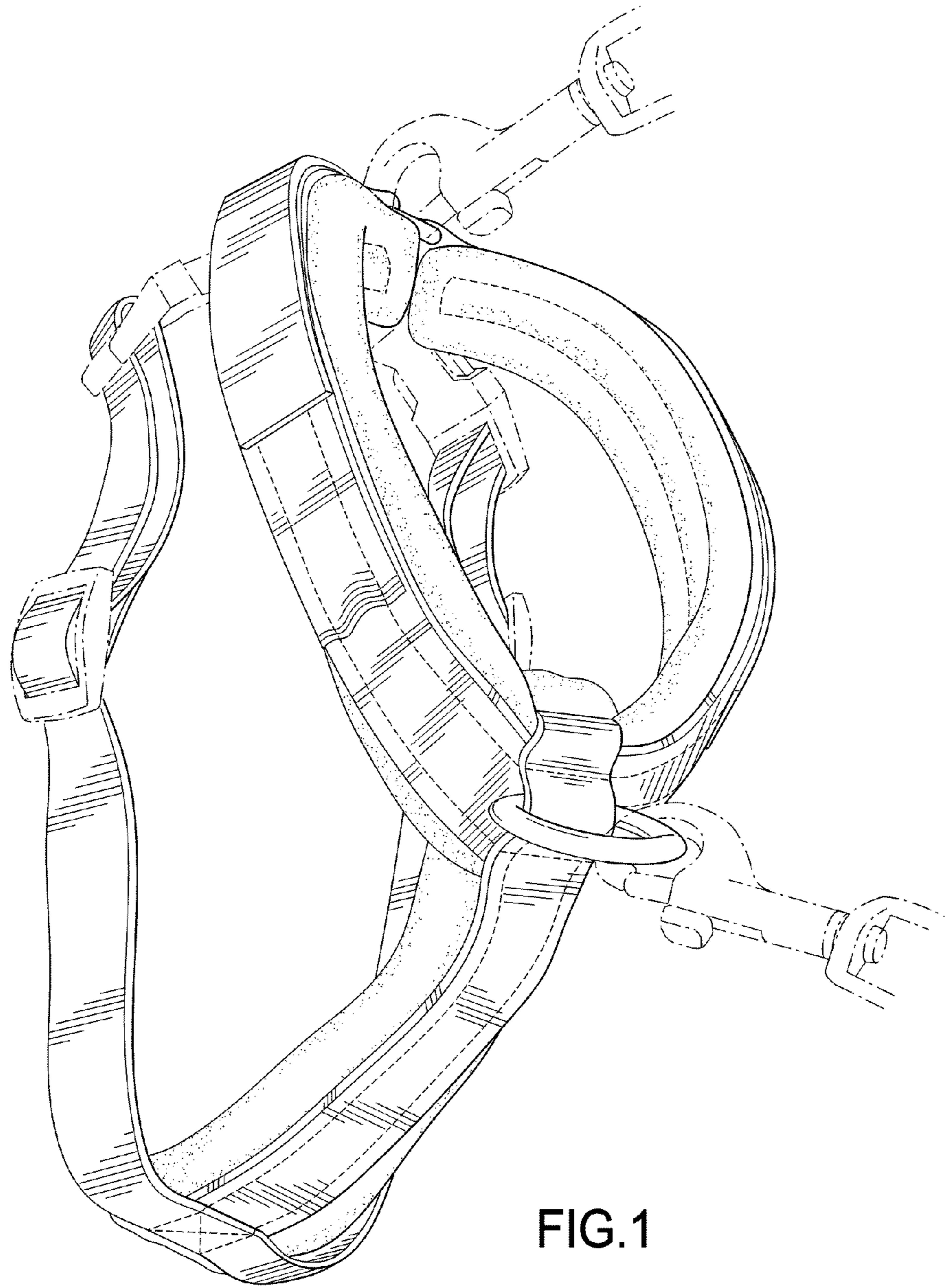
US D652,581 S

Page 2

U.S. PATENT DOCUMENTS

6,694,923	B1 *	2/2004	Fouche	119/792	7,757,641	B1 *	7/2010	Worden	119/856
7,107,939	B2 *	9/2006	Lady	119/792	D632,850	S *	2/2011	Light et al.	D30/152
7,140,326	B2 *	11/2006	Jenny et al.	119/770	2004/0000273	A1 *	1/2004	Lady	119/792
7,165,511	B1 *	1/2007	Brezinski	119/792	2004/0025804	A1 *	2/2004	Smith et al.	119/792
7,311,063	B2 *	12/2007	Goldberg	119/771	2006/0112903	A1 *	6/2006	Zutis et al.	119/792
7,357,099	B2 *	4/2008	Smith et al.	119/771	2007/0266960	A1 *	11/2007	Mugford	119/792
7,387,087	B2 *	6/2008	Lady	119/792	2008/0047501	A1 *	2/2008	Madere et al.	119/863
D591,011	S *	4/2009	Madere et al.	D30/152					

* cited by examiner



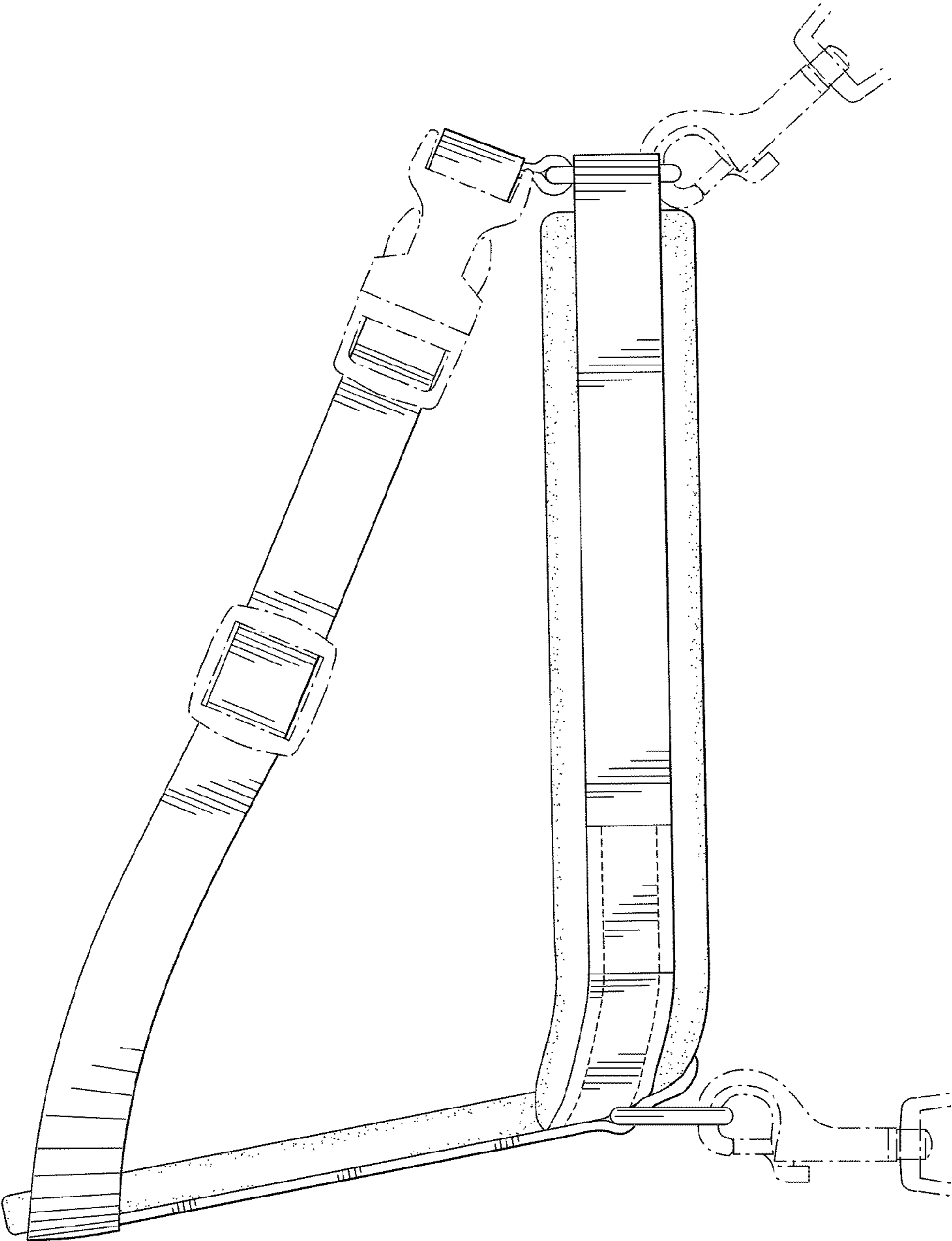


FIG.2

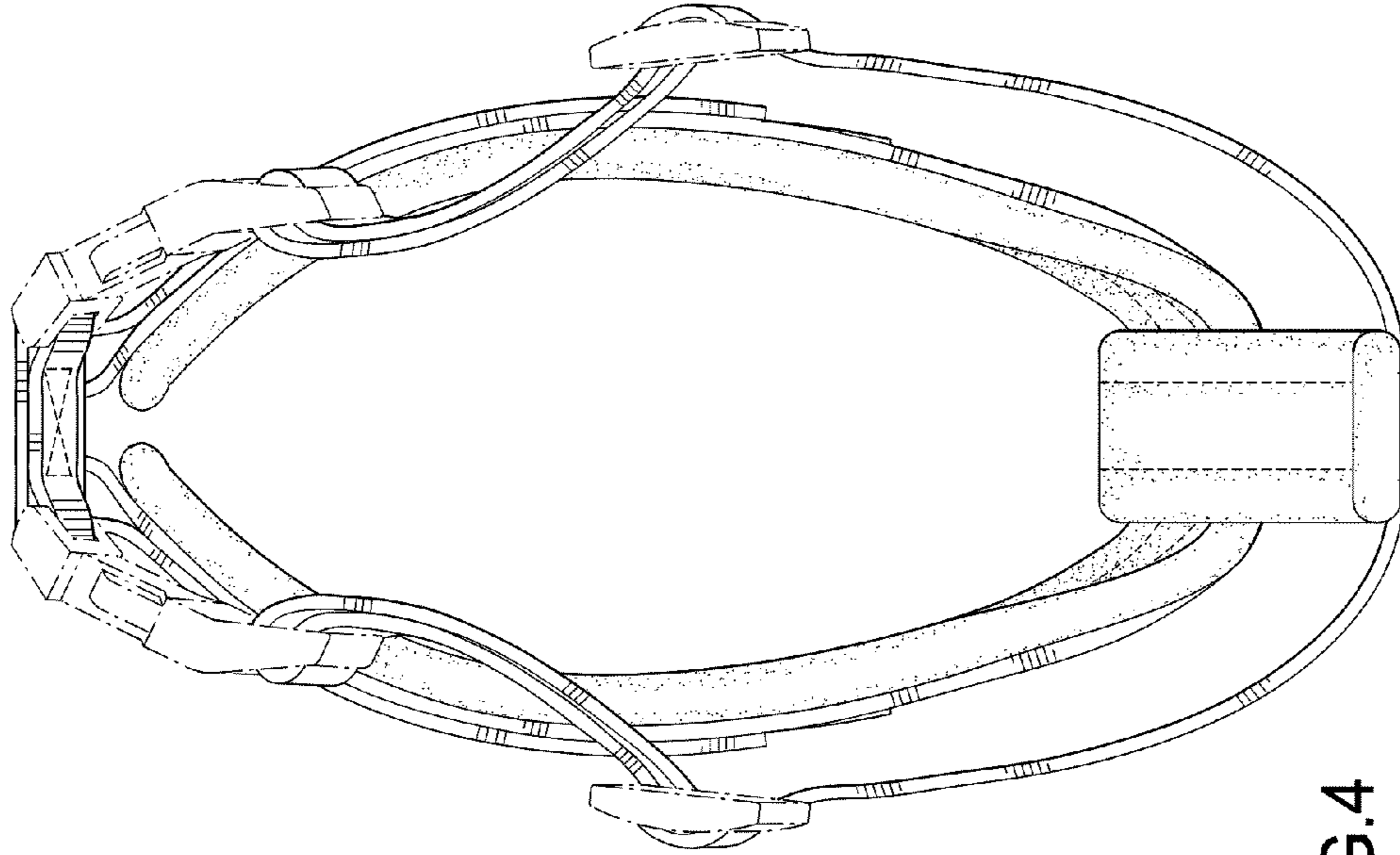


FIG.4

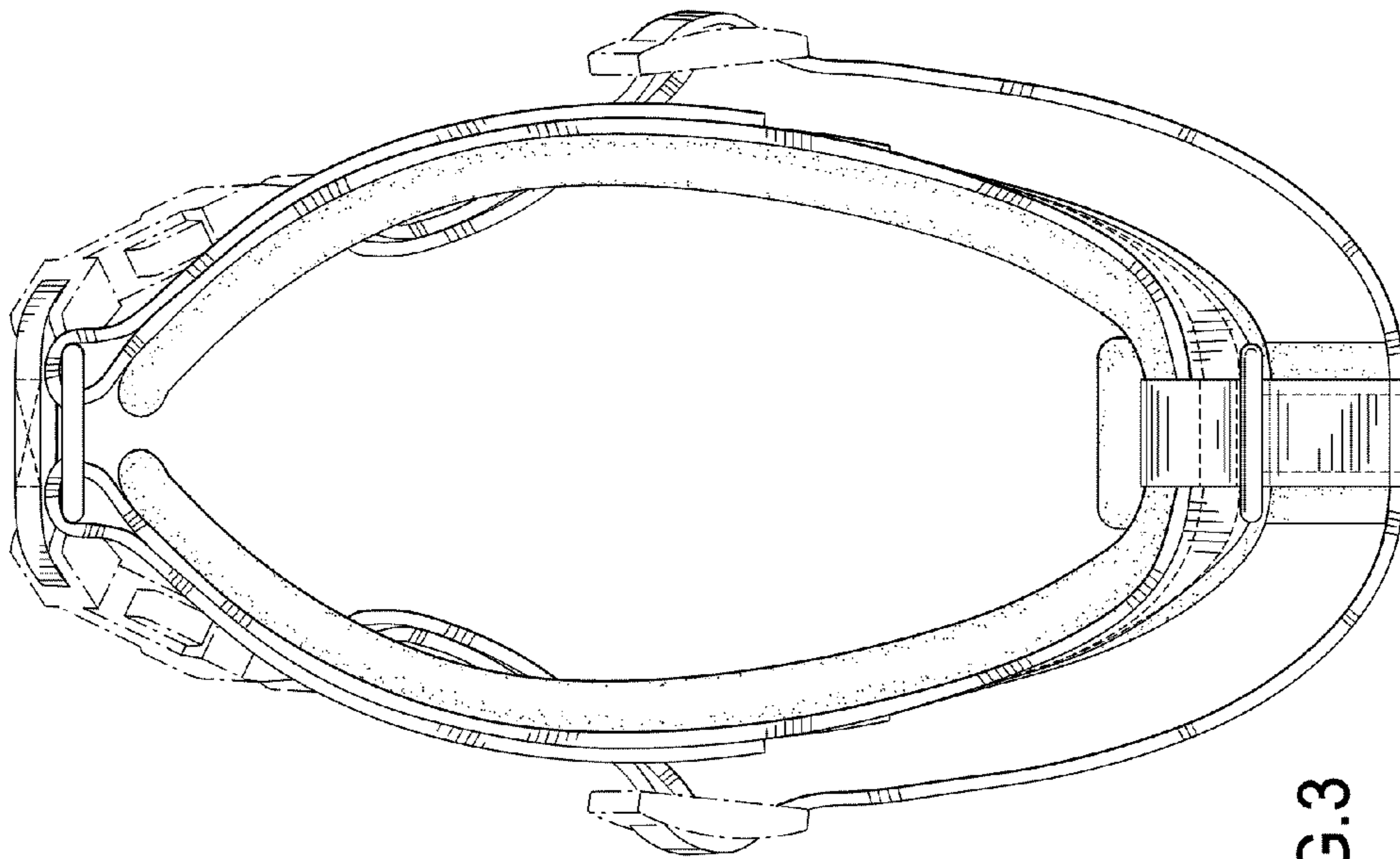


FIG.3

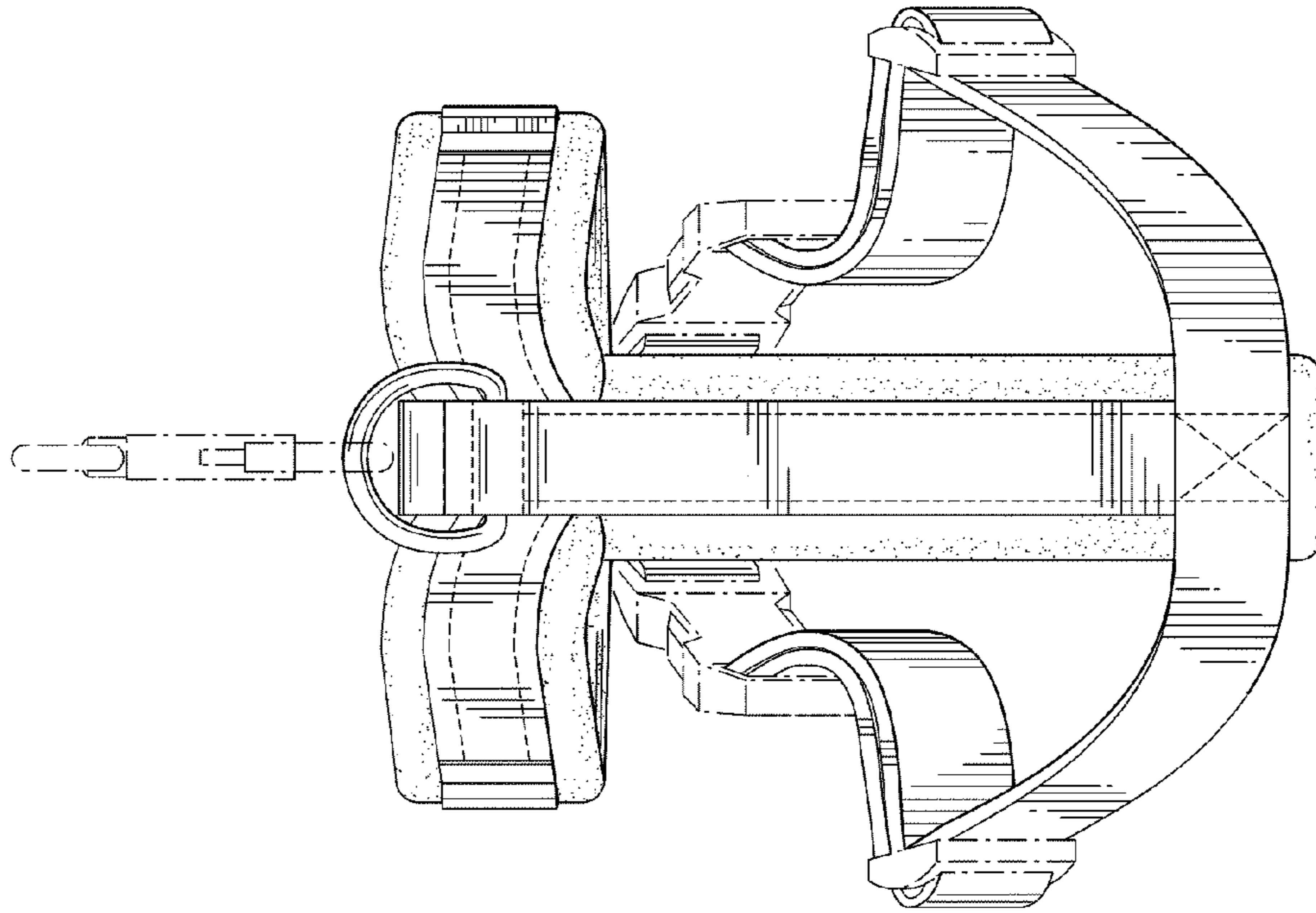


FIG. 6

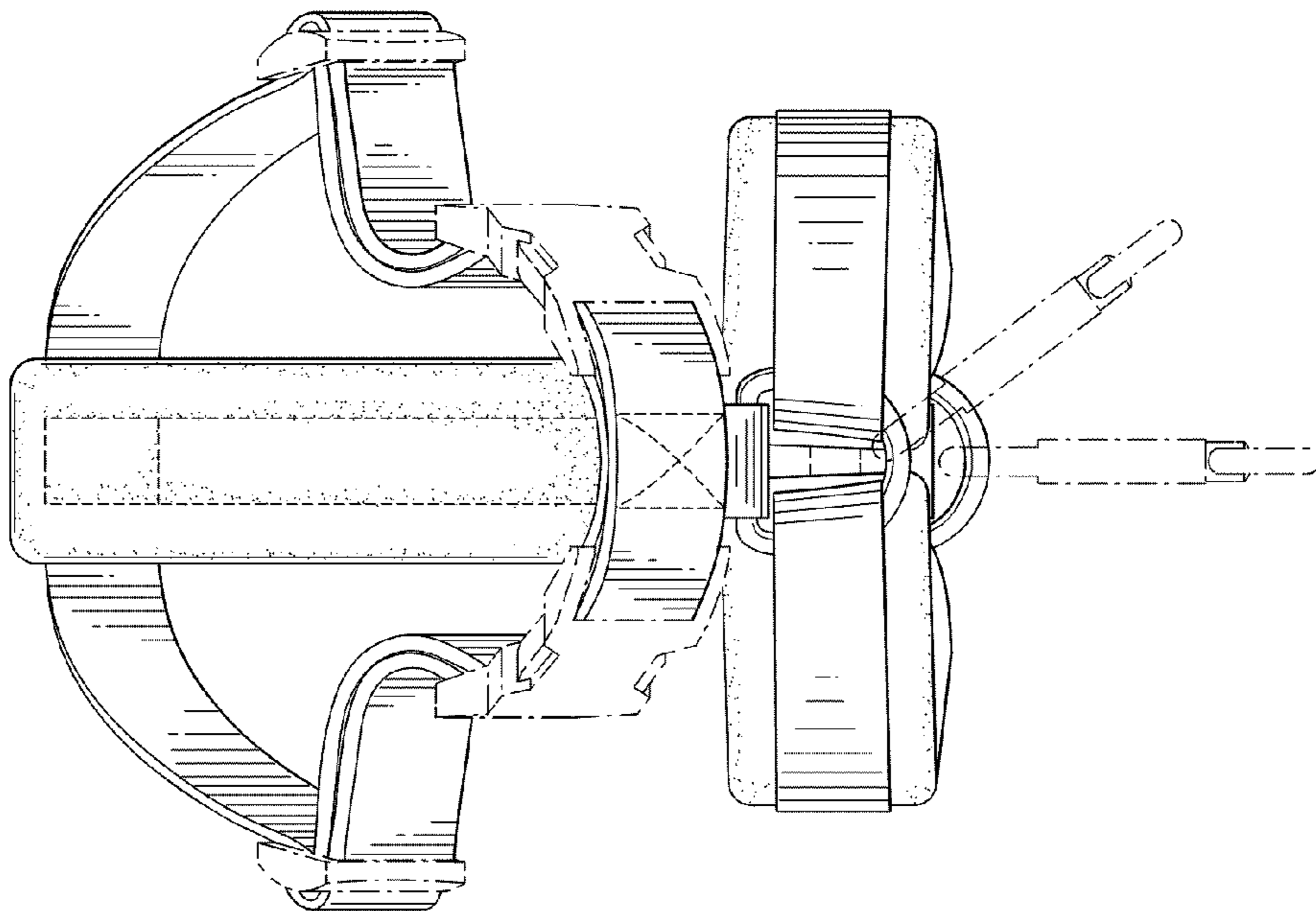


FIG. 5