



US00D652576S

(12) **United States Design Patent**
Farrell

(10) **Patent No.:** **US D652,576 S**
(45) **Date of Patent:** **** Jan. 17, 2012**

(54) **MOUTHGUARD**

D594,125 S 6/2009 Lesniak
D595,413 S 6/2009 Farrell
D595,857 S 7/2009 Massad
D597,675 S 8/2009 Eli

(76) Inventor: **Christopher John Farrell**, Helensvale
(AU)

(Continued)

(**) Term: **14 Years**

FOREIGN PATENT DOCUMENTS

(21) Appl. No.: **29/375,249**

AU 656715 4/1991
AU 676142 6/1993
WO WO 2009/026659 A1 3/2009

(22) Filed: **Sep. 20, 2010**

OTHER PUBLICATIONS

Related U.S. Application Data

U.S. Appl. No. 29/339,955, filed Jul. 10, 2009, Farrell

(62) Division of application No. 29/339,955, filed on Jul. 10, 2009, now Pat. No. Des. 626,292.

(Continued)

(51) **LOC (9) Cl.** **29-02**

(52) **U.S. Cl.** **D29/108**

(58) **Field of Classification Search** D29/108,
D29/122, 176, 180-181; 2/445, 9, 424; 128/859,
128/848; 602/902; 433/6

Primary Examiner — Elizabeth Albert
Assistant Examiner — Kelley Donnelly

(74) *Attorney, Agent, or Firm* — Reinhart Boerner Van Deuren P.C.

See application file for complete search history.

(57) **CLAIM**

(56) **References Cited**

I claim the ornamental design for the mouthguard, as shown and described.

U.S. PATENT DOCUMENTS

DESCRIPTION

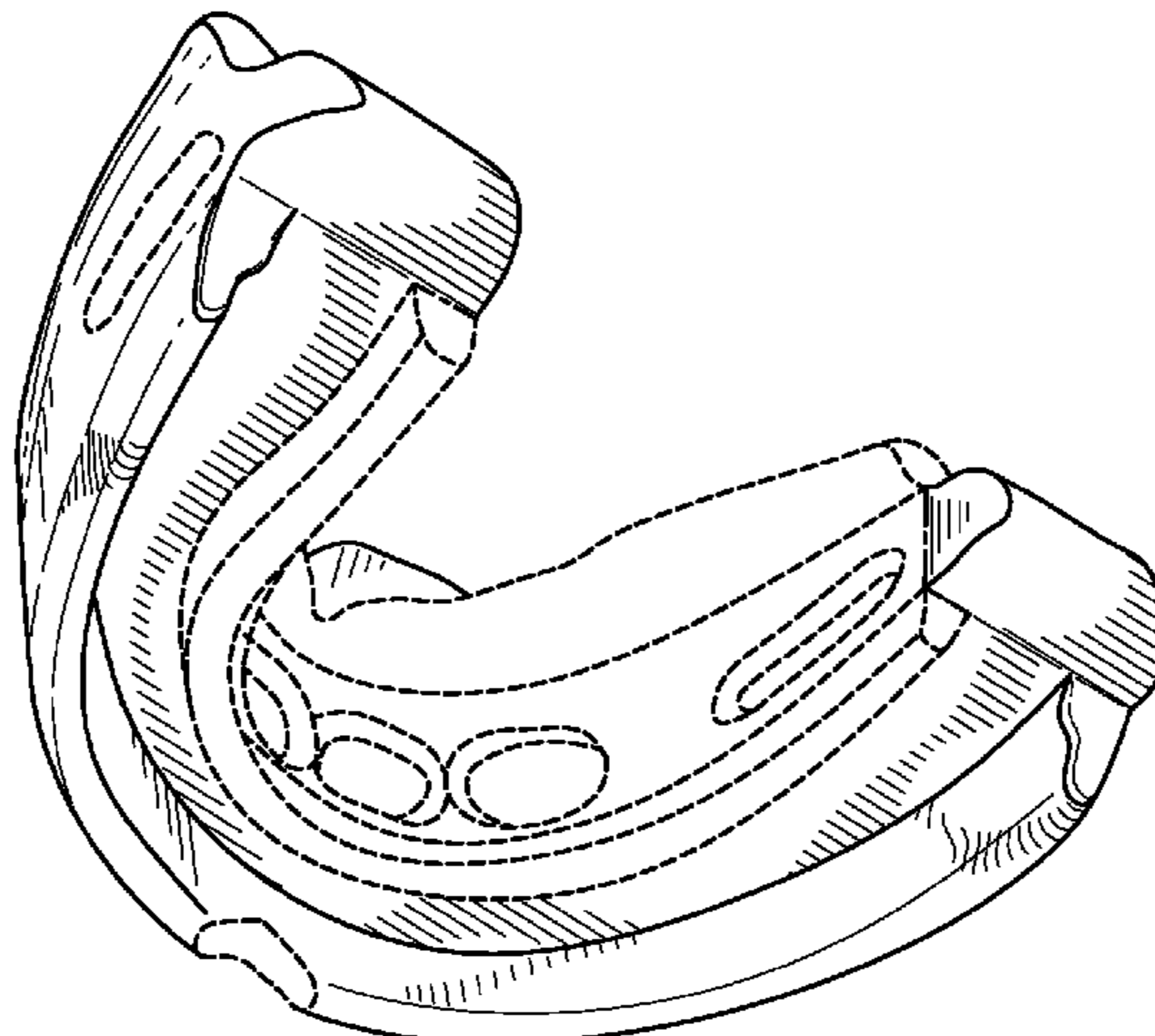
- 5,259,762 A 11/1993 Farrell
- 5,592,951 A 1/1997 Castagnaro et al.
- 5,624,257 A 4/1997 Farrell
- 6,494,210 B1 12/2002 Mams
- D473,976 S 4/2003 Wilkens
- 6,584,978 B1 7/2003 Brett
- D492,785 S * 7/2004 Garabito D24/181
- D493,578 S 7/2004 Manzo et al.
- D500,895 S 1/2005 Manzo et al.
- D504,744 S 5/2005 Hidalgo et al.
- D509,028 S 8/2005 Farrell
- 6,935,857 B1 8/2005 Farrell
- D525,749 S 7/2006 Manzo et al.
- D526,093 S 8/2006 Manzo et al.
- D526,095 S 8/2006 Manzo et al.
- D527,848 S 9/2006 Manzo et al.
- D530,863 S 10/2006 Manzo et al.
- D532,559 S 11/2006 Manzo et al.
- D537,986 S 3/2007 Manzo et al.
- D537,987 S 3/2007 Manzo et al.
- D548,403 S 8/2007 Manzo et al.
- D554,259 S 10/2007 Diacopoulos et al.
- 7,404,403 B2 7/2008 Farrell

FIG. 1 is a perspective view of a mouthguard;
FIG. 2 is an alternate perspective view of the mouthguard of FIG. 1;
FIG. 3 is a side view thereof;
FIG. 4 is an opposite view thereof;
FIG. 5 is a front view thereof;
FIG. 6 is a back view thereof
FIG. 7 is a top view thereof;
FIG. 8 is a bottom view thereof; and,
FIG. 9 is an alternate perspective view of the mouthguard of FIG. 1.

In the above figures, the broken lines are for the purpose of illustrating the environment of the design and form no part of the claimed design.

The long and short broken lines represent bounds of the claimed design and form no part thereof.

1 Claim, 5 Drawing Sheets



US D652,576 S

Page 2

U.S. PATENT DOCUMENTS

D609,347	S	2/2010	Farrell	
D609,348	S	2/2010	Farrell	
D616,152	S *	5/2010	Manzo D29/108
D623,357	S *	9/2010	Manzo et al. D29/108
D626,292	S *	10/2010	Farrell D29/108
D627,107	S *	11/2010	Manzo et al. D29/108
2006/0084024	A1	4/2006	Farrell	

OTHER PUBLICATIONS

U.S. Appl. No. 29/375,241, filed Sep. 20, 2010, Farrell.

U.S. Appl. No. 29/303,930, filed Feb. 20, 2008, Farrell.

U.S. Appl. No. 29/303,932, filed Feb. 20, 2008, Farrell.

* cited by examiner

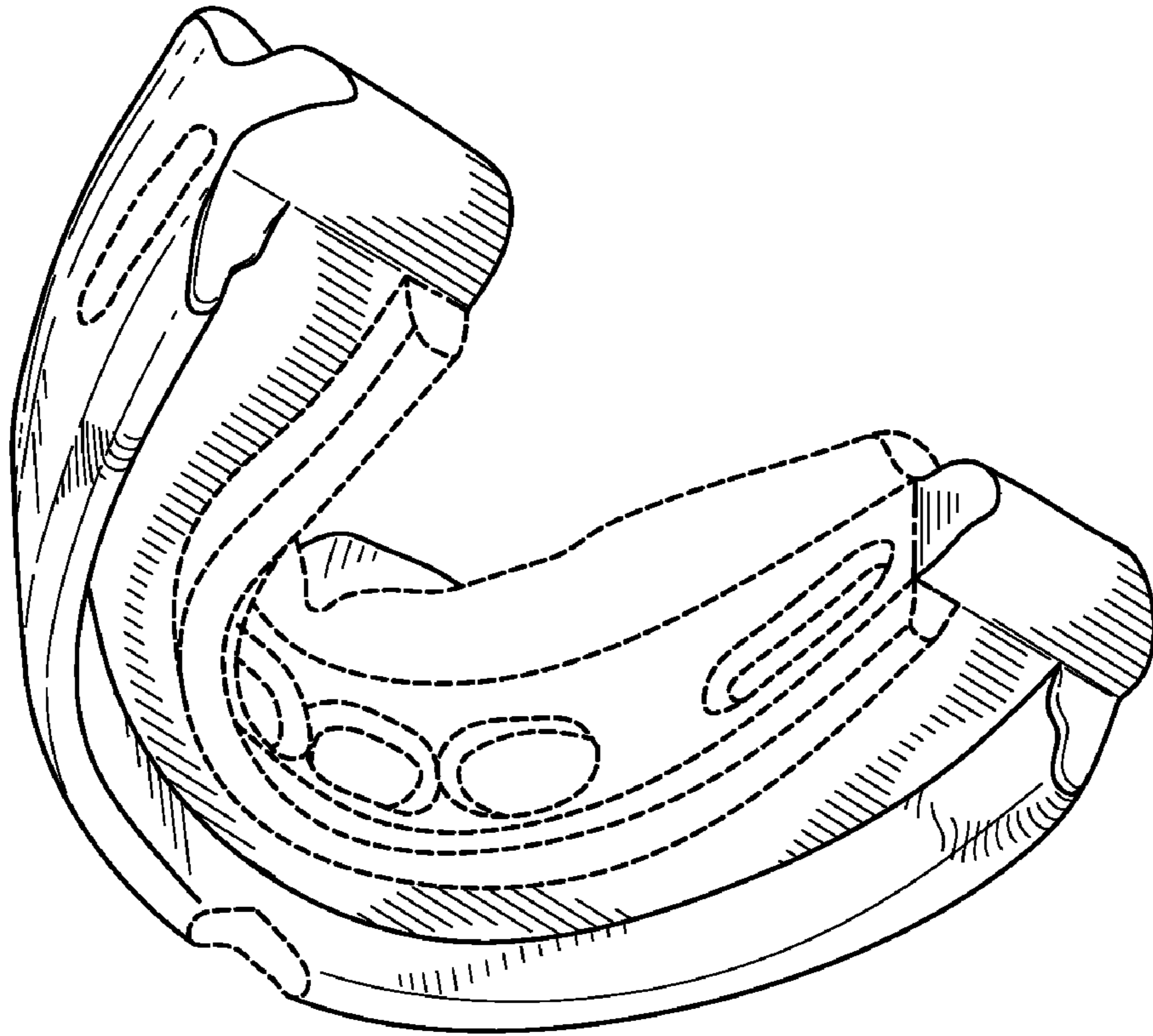


FIG. 1

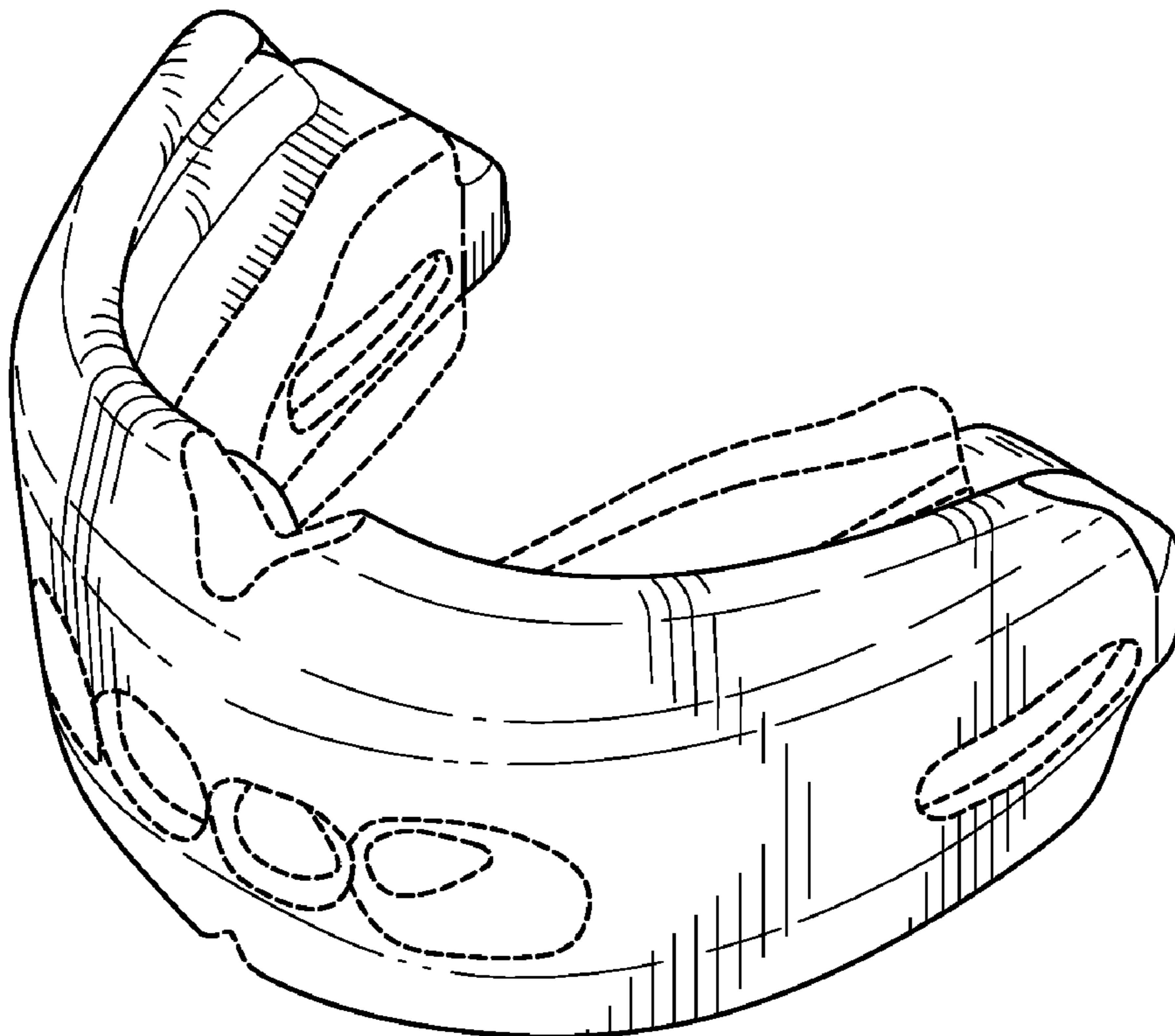


FIG. 2

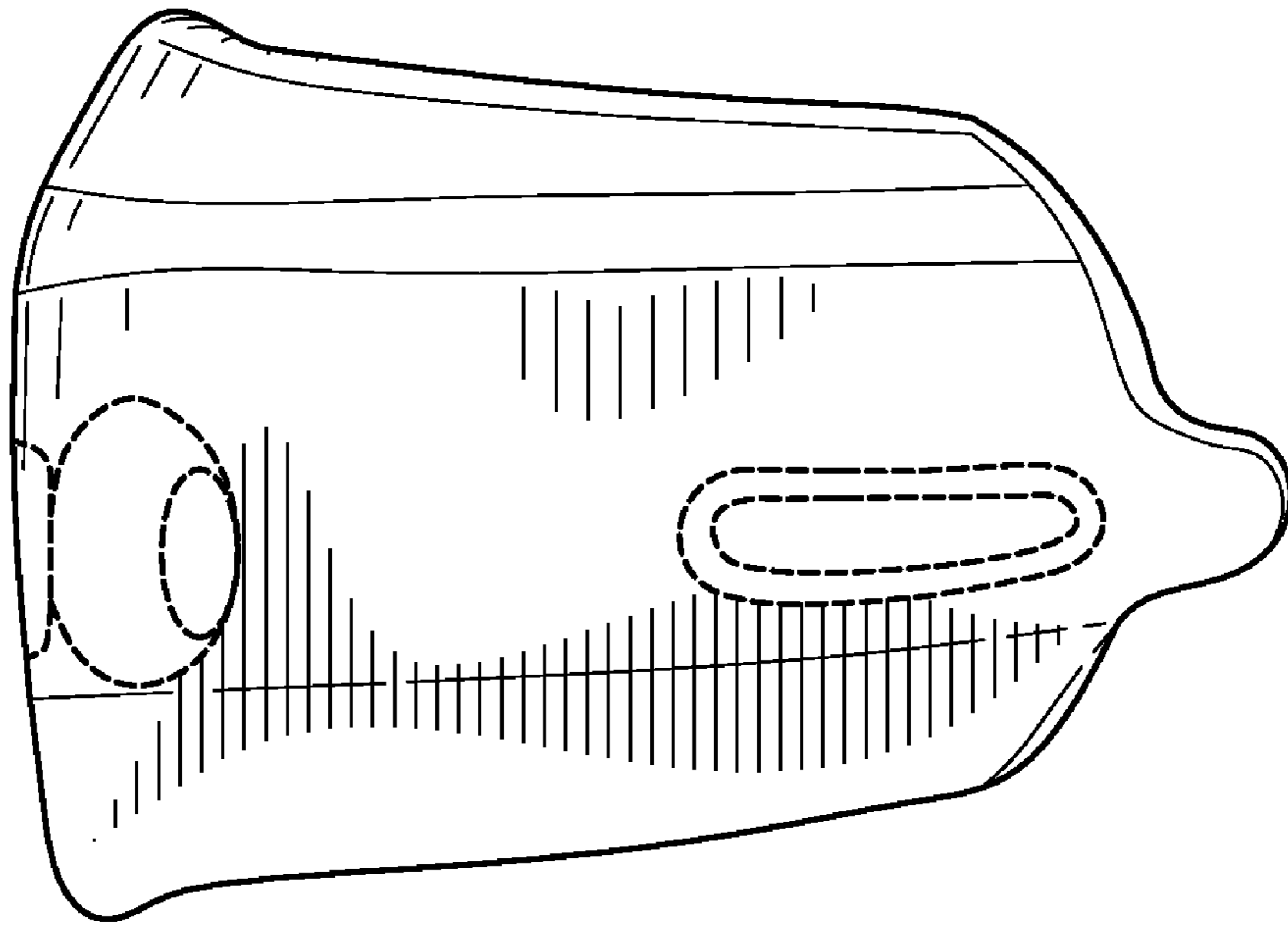


FIG. 3

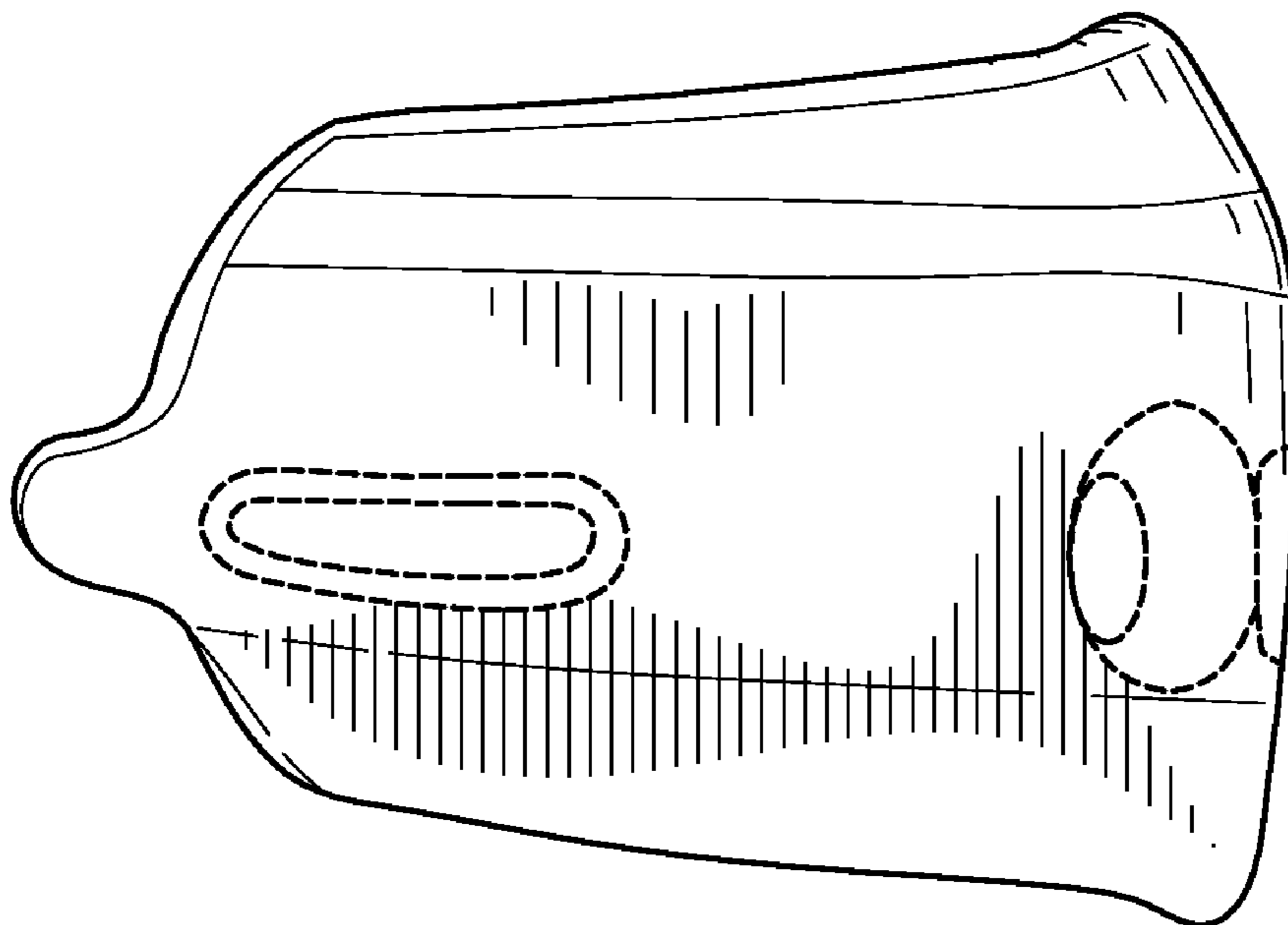


FIG. 4

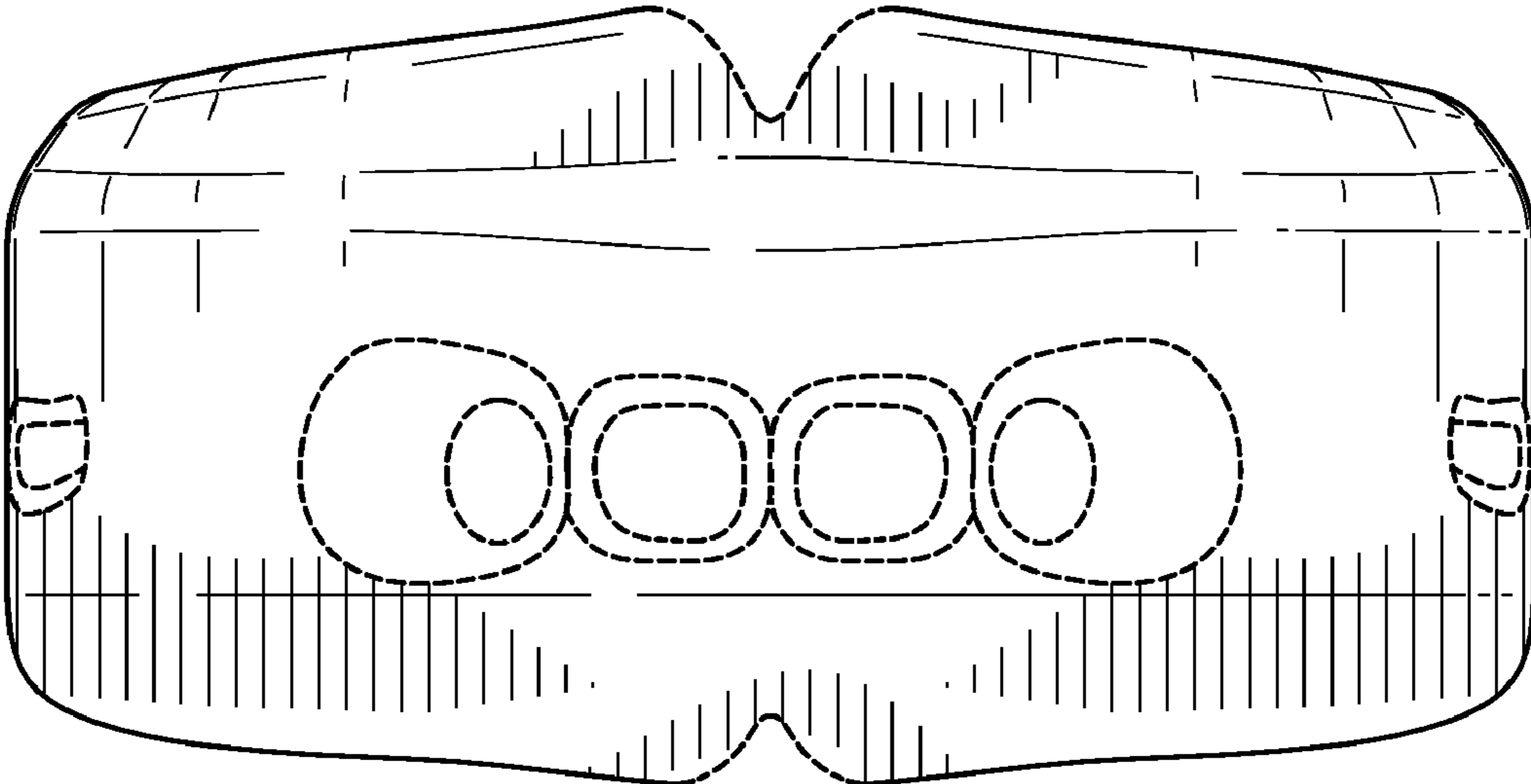


FIG. 5

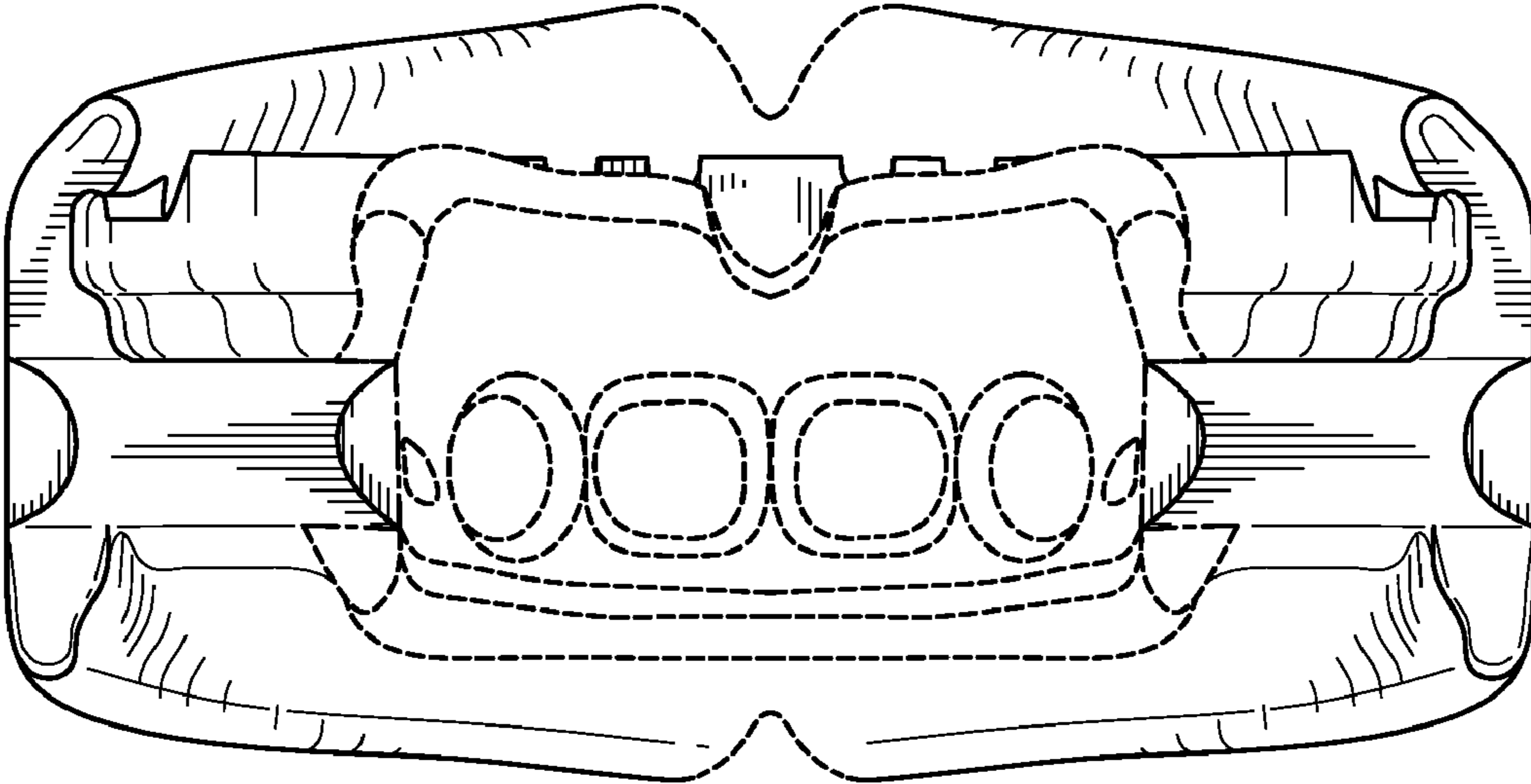


FIG. 6

FIG. 7

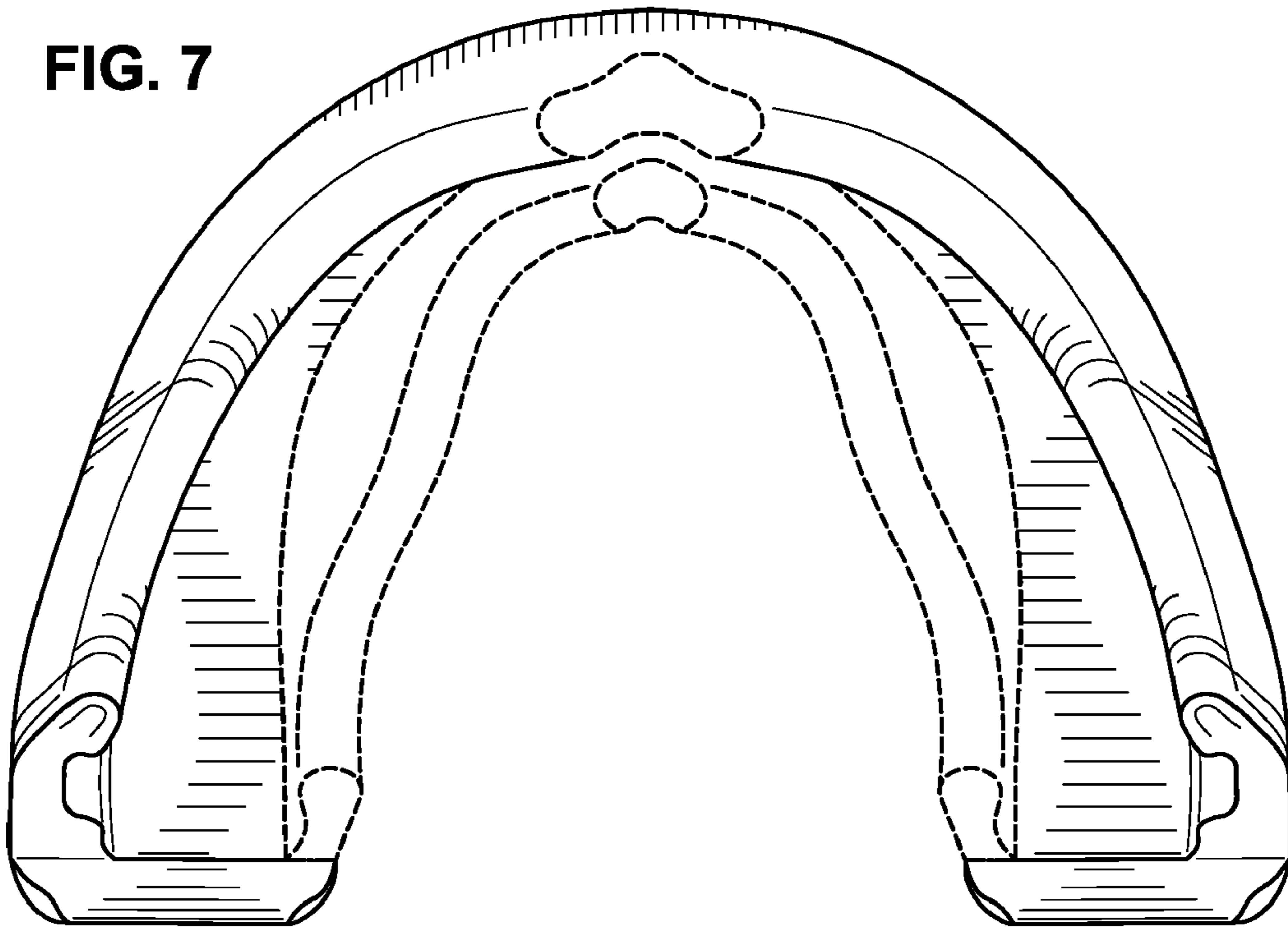
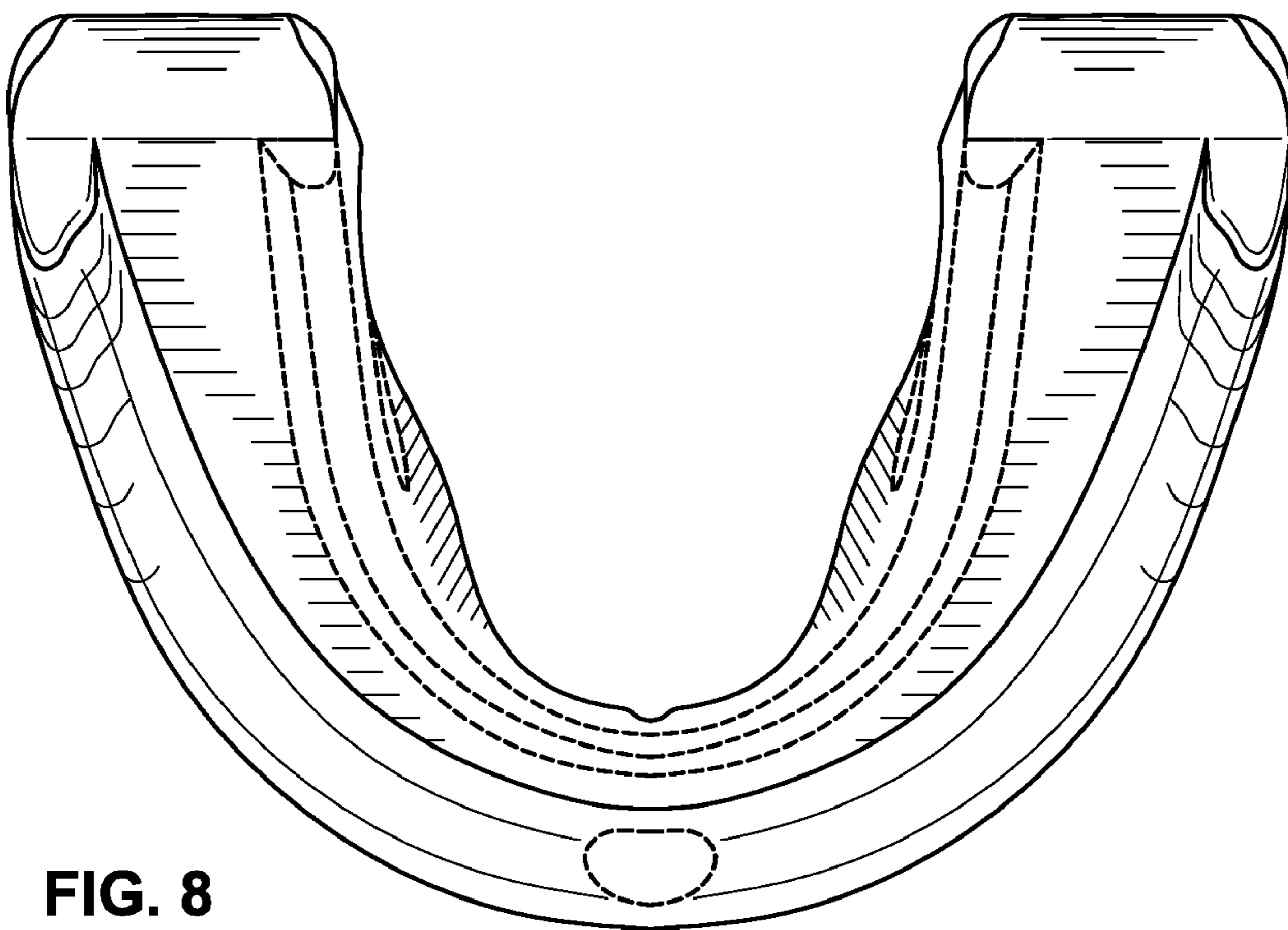


FIG. 8



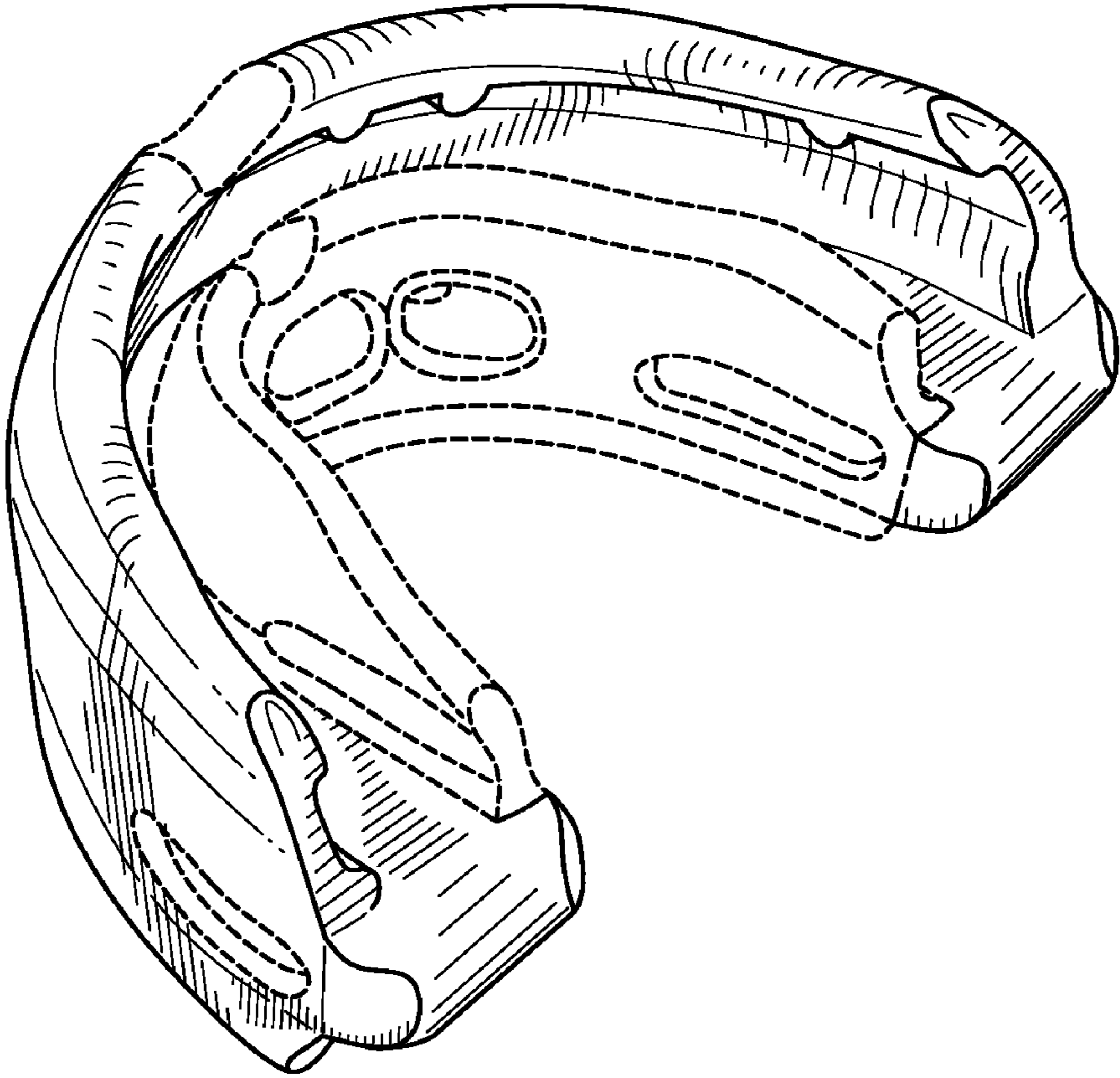


FIG. 9