



US00D652575S

(12) **United States Design Patent**
Farrell

(10) **Patent No.:** **US D652,575 S**
(45) **Date of Patent:** **** Jan. 17, 2012**

(54) **MOUTHGUARD**

(76) Inventor: **Christopher John Farrell**, Helensvale
(AU)

(**) Term: **14 Years**

(21) Appl. No.: **29/375,241**

(22) Filed: **Sep. 20, 2010**

Related U.S. Application Data

(62) Division of application No. 29/339,955, filed on Jul. 10, 2009, now Pat. No. Des. 626,292.

(51) **LOC (9) Cl.** **29-02**

(52) **U.S. Cl.** **D29/108**

(58) **Field of Classification Search** D29/108,
D29/122, 176, 180-181; 2/445, 9, 424; 128/859,
128/848; 602/902; 433/6

See application file for complete search history.

(56) **References Cited**

U.S. PATENT DOCUMENTS

5,259,762	A	11/1993	Farrell	
5,592,951	A	1/1997	Castagnaro et al.	
5,624,257	A	4/1997	Farrell	
6,494,210	B1	12/2002	Mams	
D473,976	S	4/2003	Wilkens	
6,584,978	B1	7/2003	Brett	
D492,785	S *	7/2004	Garabito D24/181
D493,578	S	7/2004	Manzo et al.	
D500,895	S	1/2005	Manzo et al.	
D504,744	S	5/2005	Hidalgo et al.	
D509,028	S	8/2005	Farrell	
6,935,857	B1	8/2005	Farrell	
D525,749	S	7/2006	Manzo et al.	
D526,093	S	8/2006	Manzo et al.	
D526,095	S	8/2006	Manzo et al.	
D527,848	S	9/2006	Manzo et al.	
D530,863	S	10/2006	Manzo et al.	
D532,559	S	11/2006	Manzo et al.	
D537,986	S	3/2007	Manzo et al.	
D537,987	S	3/2007	Manzo et al.	
D548,403	S	8/2007	Manzo et al.	
D554,259	S	10/2007	Diacopoulos et al.	
7,404,403	B2	7/2008	Farrell	

D594,125	S	6/2009	Lesniak
D595,413	S	6/2009	Farrell
D595,857	S	7/2009	Massad
D597,675	S	8/2009	Eli

(Continued)

FOREIGN PATENT DOCUMENTS

AU	656715	4/1991
AU	676142	6/1993
WO	WO 2009/026659 A1	3/2009

OTHER PUBLICATIONS

U.S. Appl. No. 29/339,955, filed Jul. 10, 2009, Farrell.

(Continued)

Primary Examiner — Elizabeth Albert
Assistant Examiner — Kelley Donnelly

(74) *Attorney, Agent, or Firm* — Reinhart Boerner Van Deuren P.C.

(57) **CLAIM**

I claim the ornamental design for the mouthguard, as shown and described.

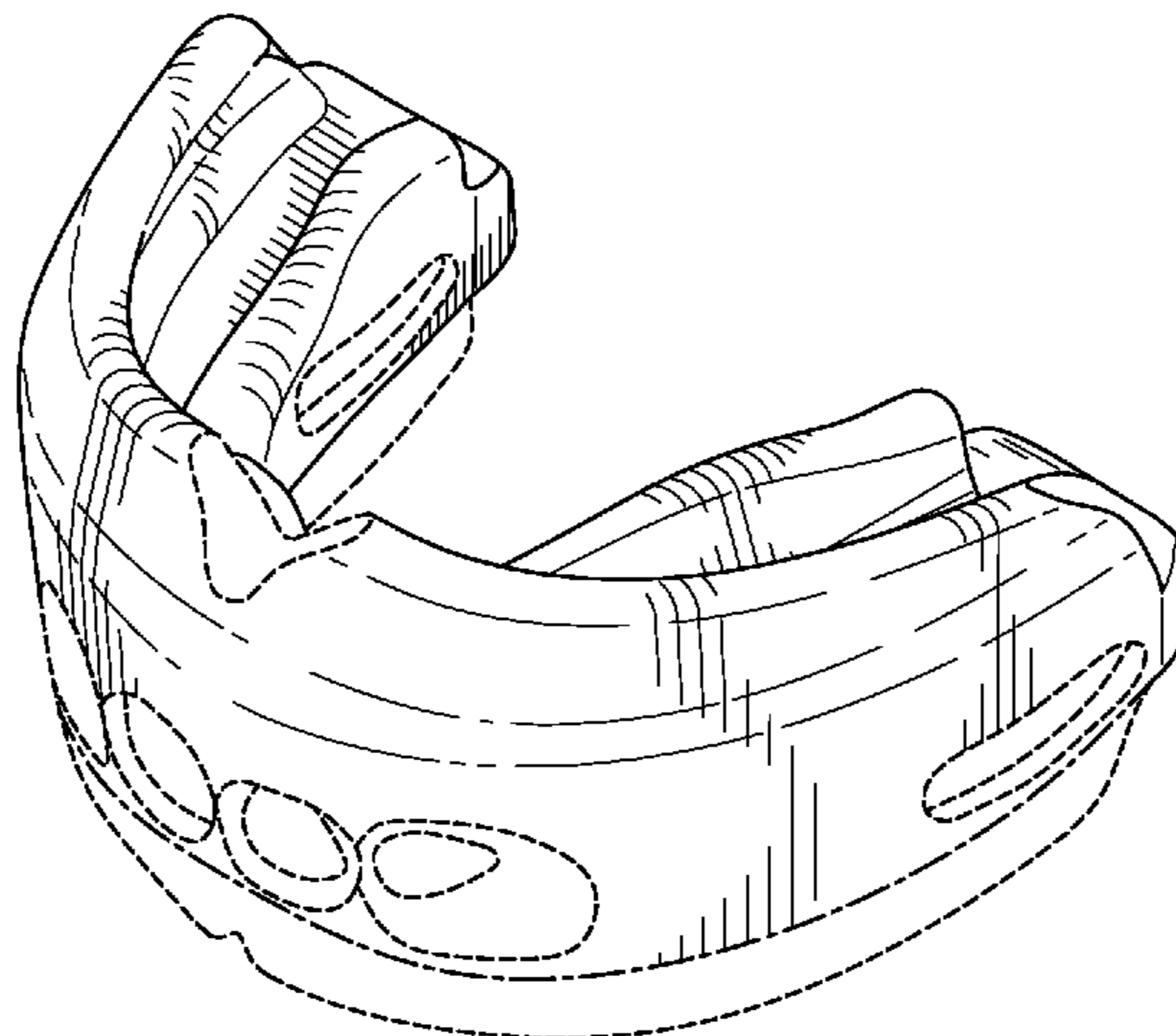
DESCRIPTION

FIG. 1 is a perspective view of a mouthguard;
FIG. 2 is an alternate perspective view of the mouthguard of FIG. 1;
FIG. 3 is a side view thereof;
FIG. 4 is an opposite view thereof;
FIG. 5 is a front view thereof;
FIG. 6 is a back view thereof
FIG. 7 is a top view thereof;
FIG. 8 is a bottom view thereof; and,
FIG. 9 is an alternate perspective view of the mouthguard of FIG. 1.

In the above figures, the broken lines are for the purpose of illustrating the environment of the design and form no part of the claimed design.

The long and short broken lines represent bounds of the claimed design and form no part thereof.

1 Claim, 5 Drawing Sheets



US D652,575 S

Page 2

U.S. PATENT DOCUMENTS

D609,347	S	*	2/2010	Farrell	D24/180
D609,348	S		2/2010	Farrell		
D616,152	S	*	5/2010	Manzo	D29/108
D623,357	S	*	9/2010	Manzo et al.	D29/108
D626,292	S	*	10/2010	Farrell	D29/108
D627,107	S	*	11/2010	Manzo et al.	D29/108
2006/0084024	A1		4/2006	Farrell		

OTHER PUBLICATIONS

U.S. Appl. No. 29/375,249, filed Sep. 20, 2010, Farrell.

U.S. Appl. No. 29/303,390, filed Feb. 20, 2008, Farrell.

U.S. Appl. No. 29/303,932, filed Feb. 20, 2008, Farrell.

* cited by examiner

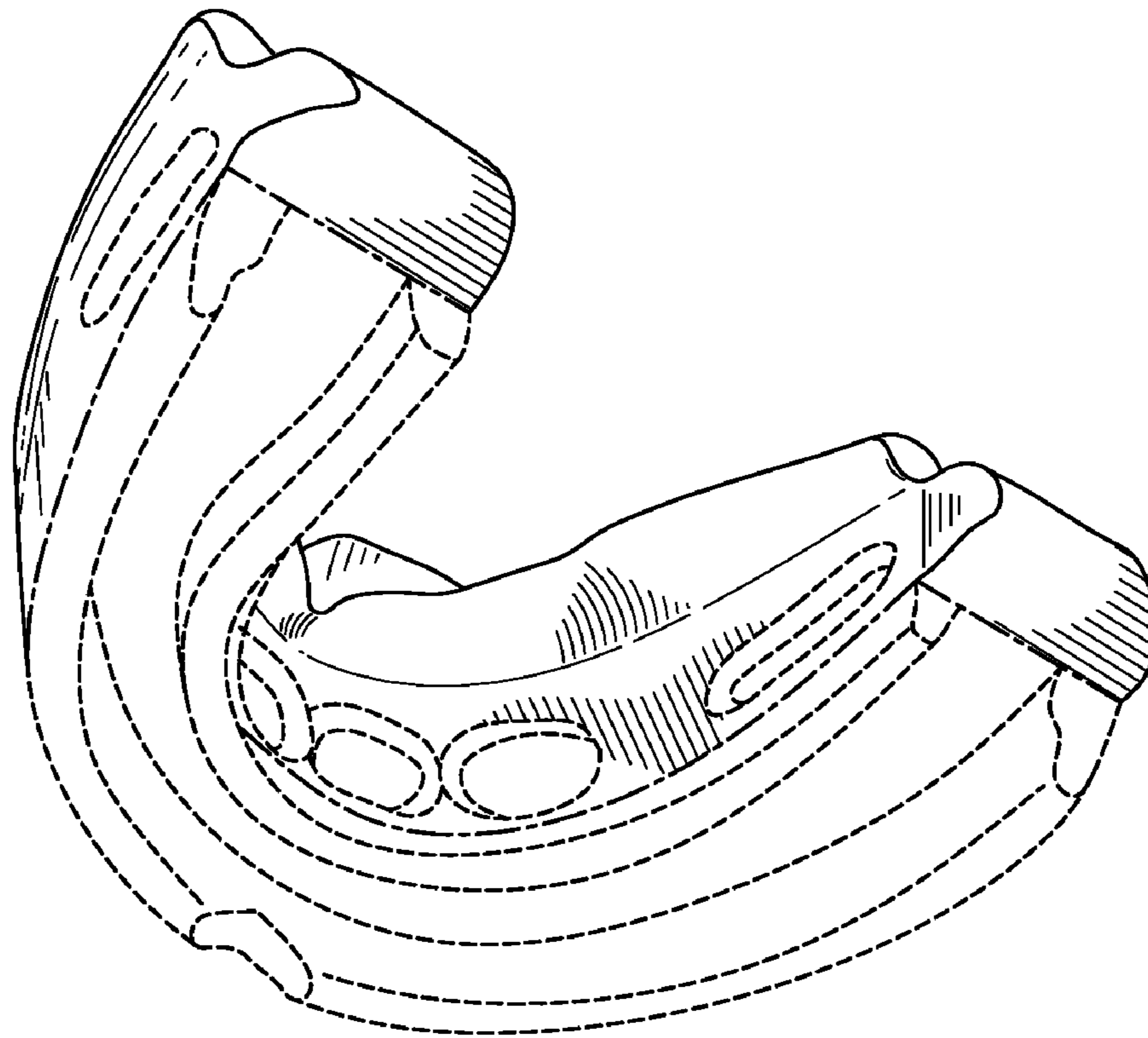


FIG. 1

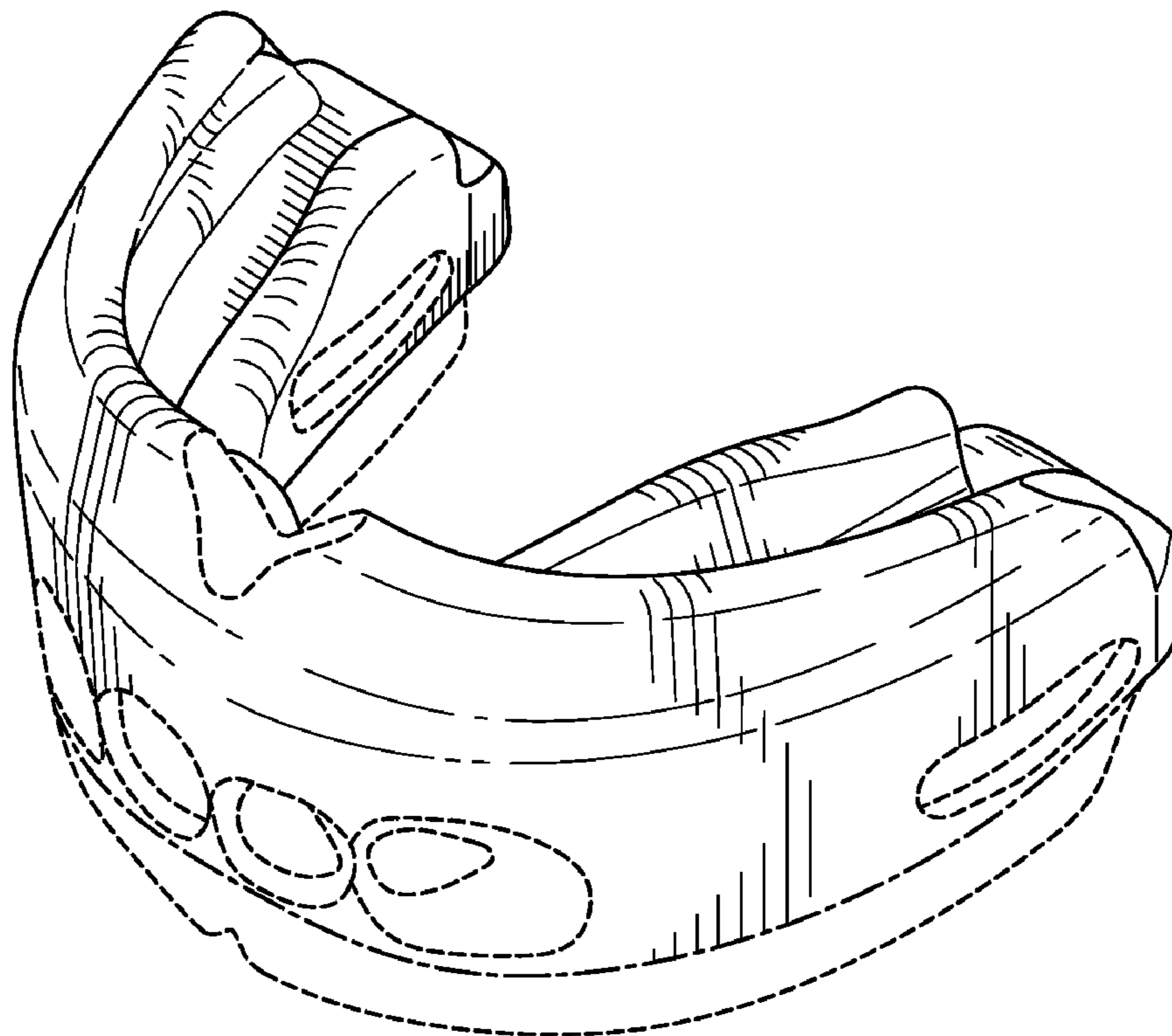


FIG. 2

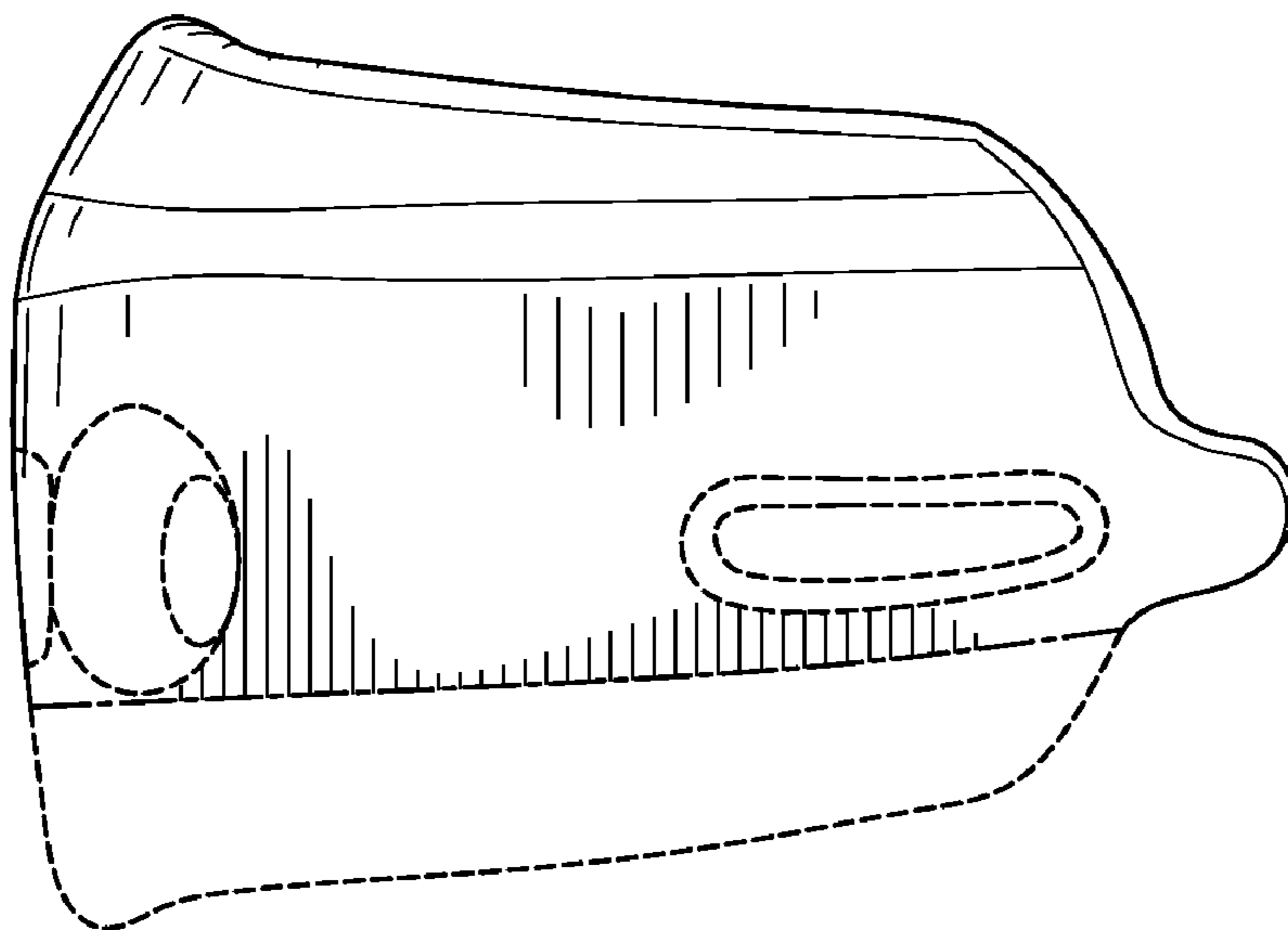


FIG. 3

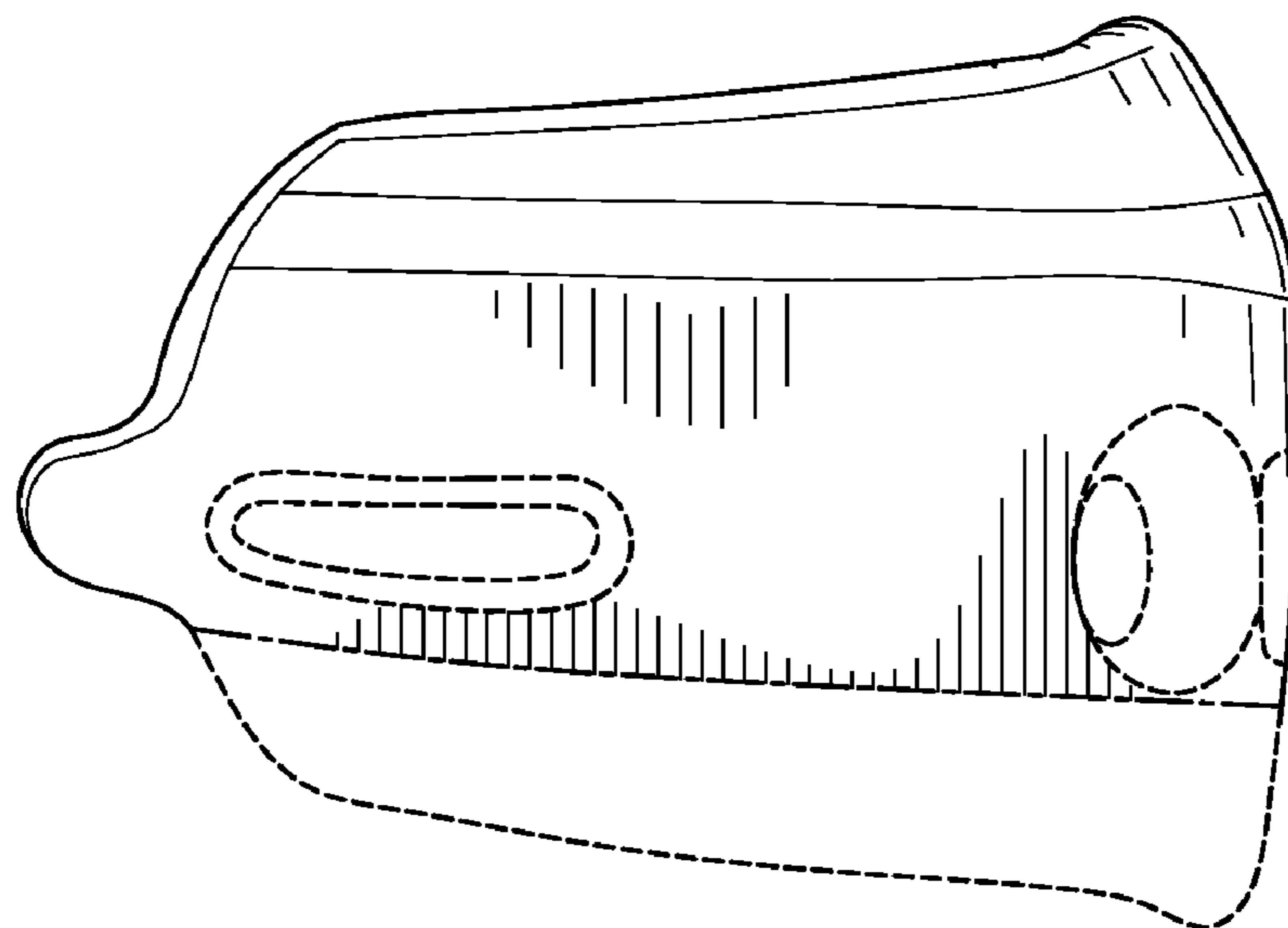


FIG. 4

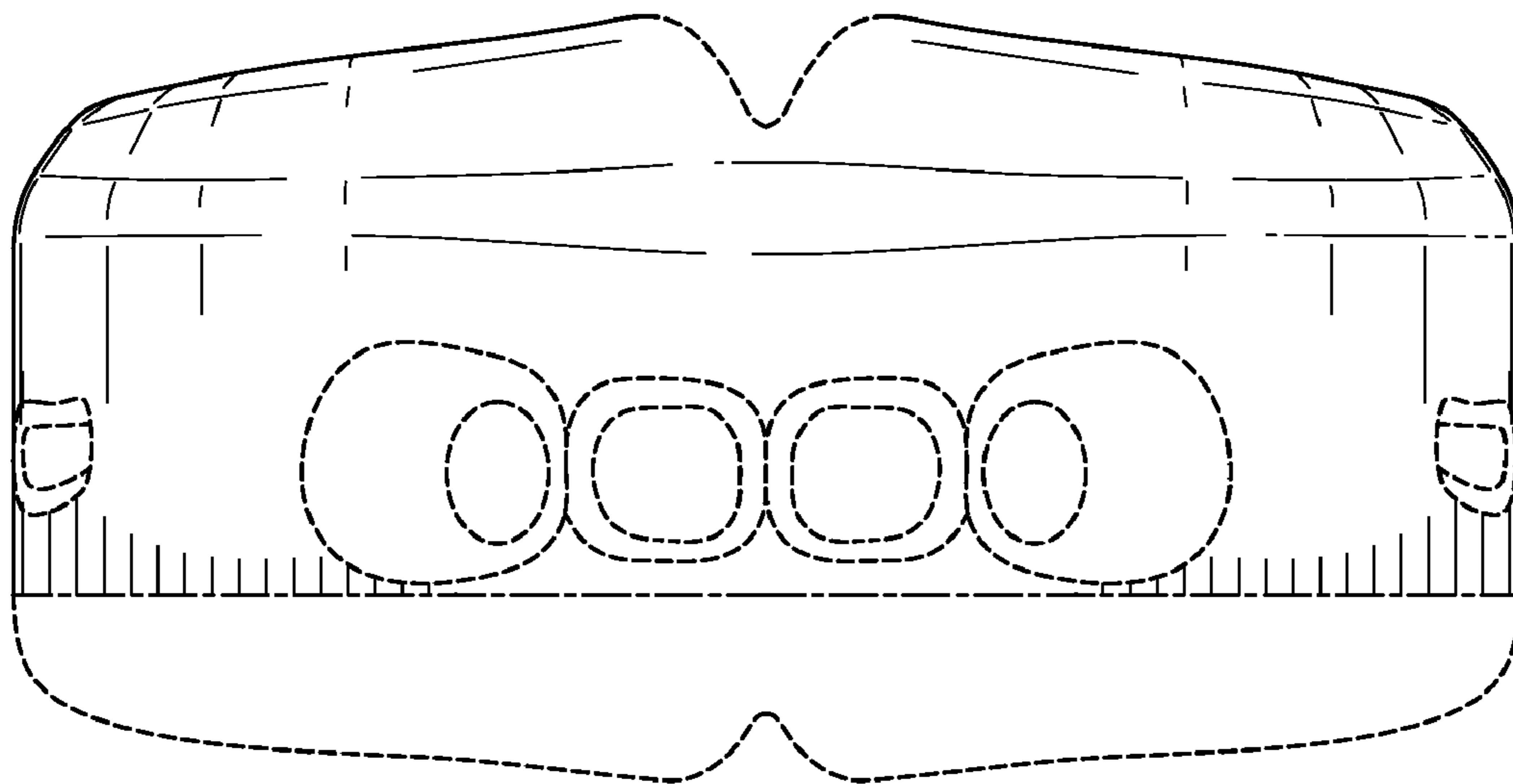


FIG. 5

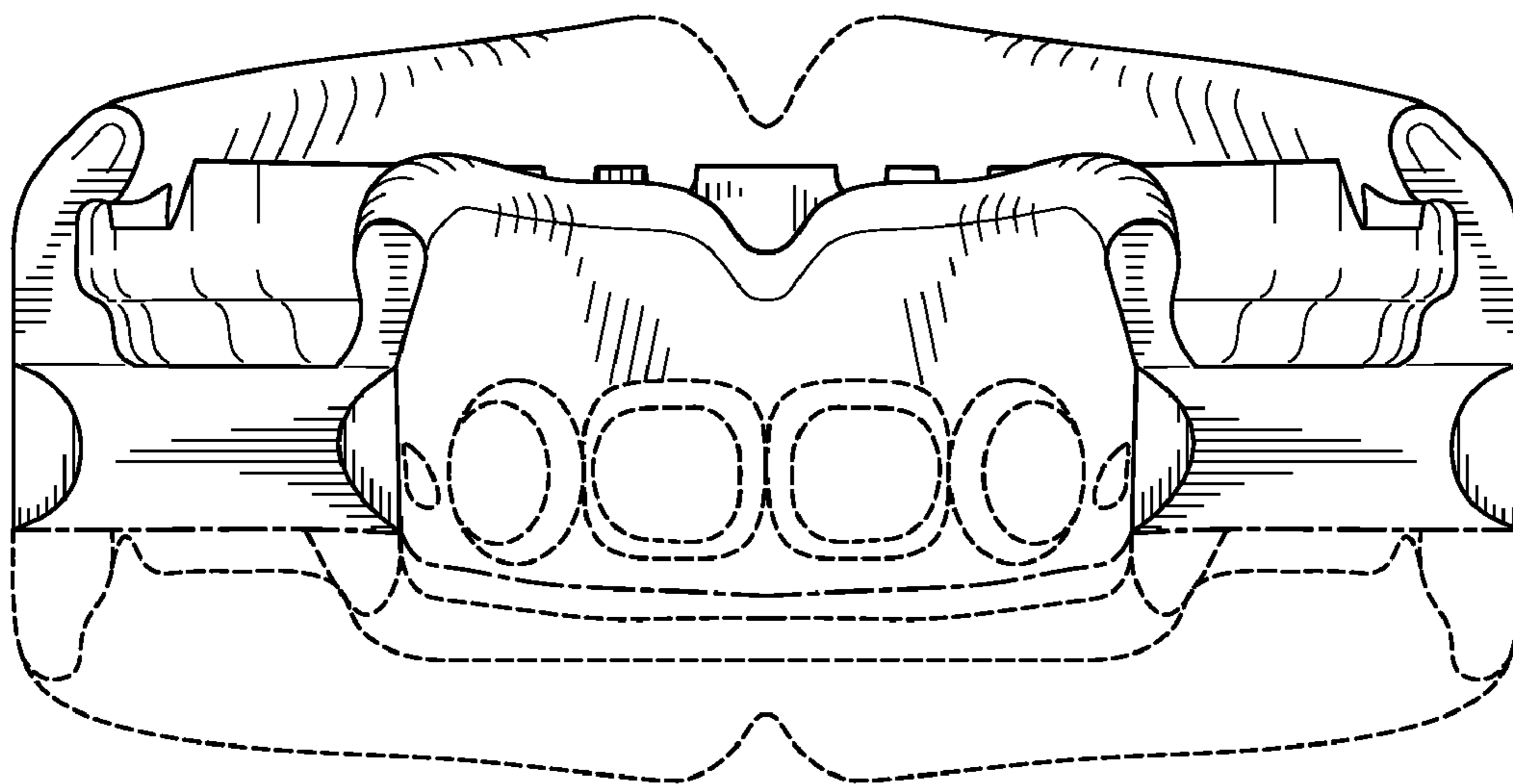


FIG. 6

FIG. 7

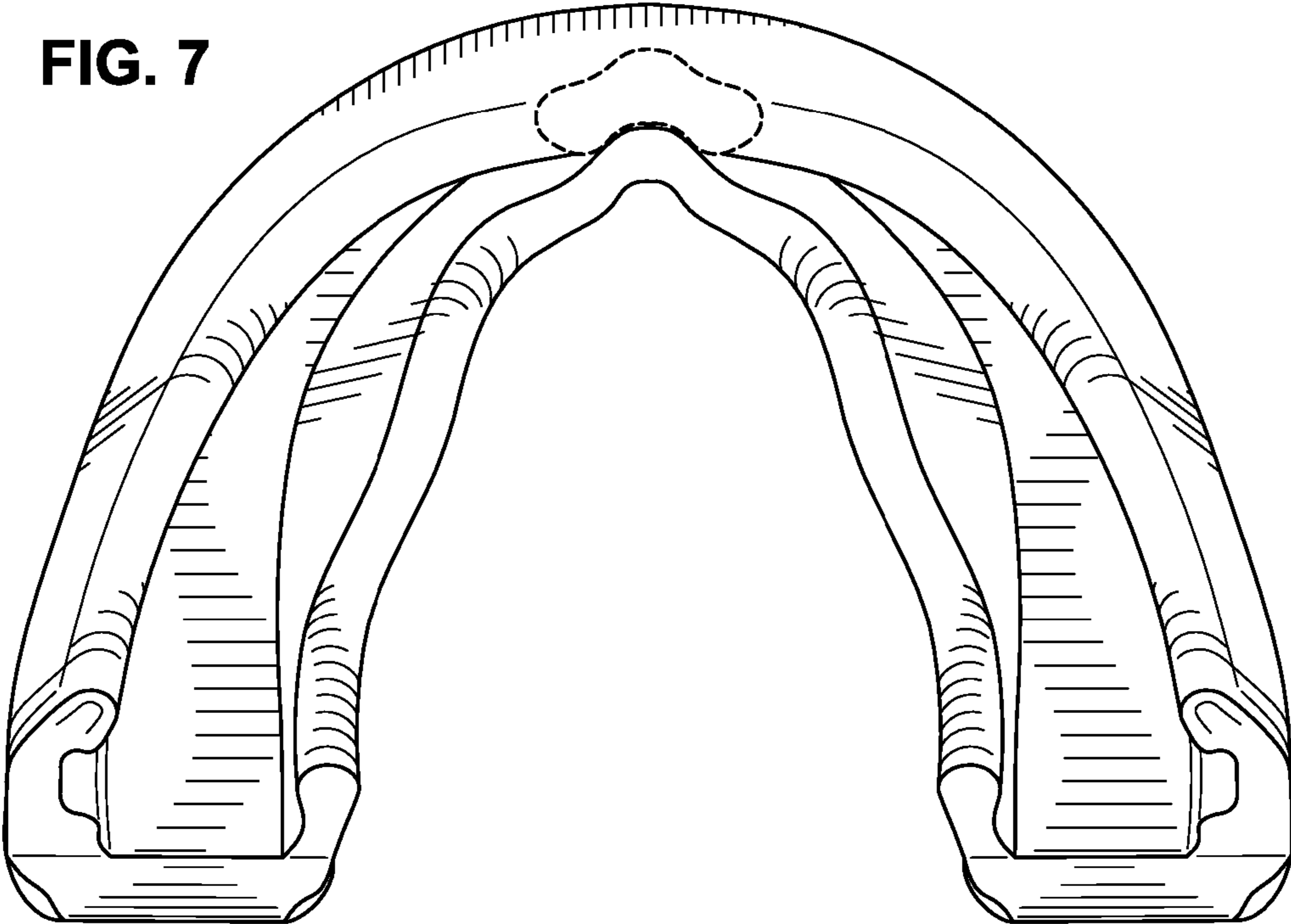
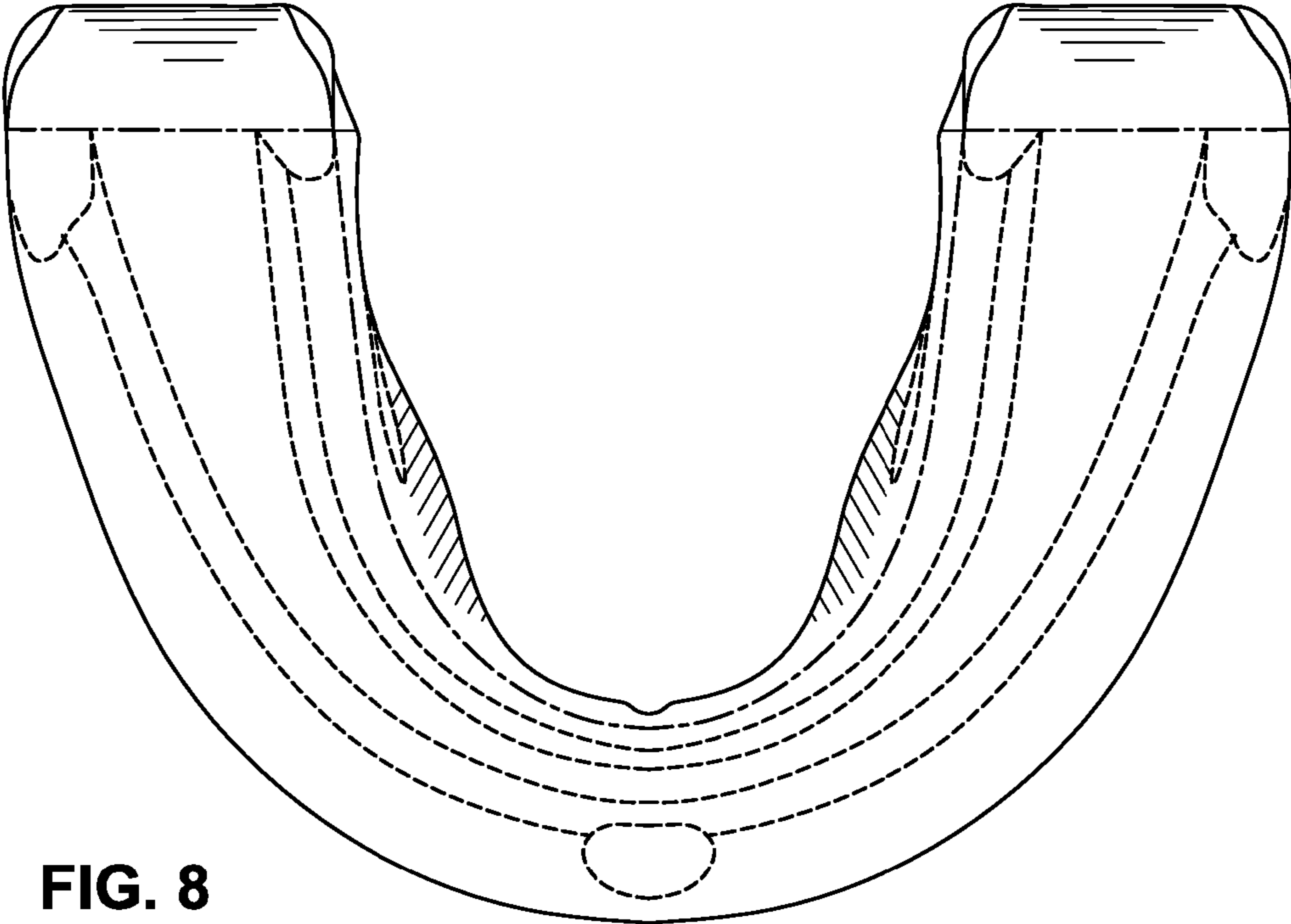


FIG. 8



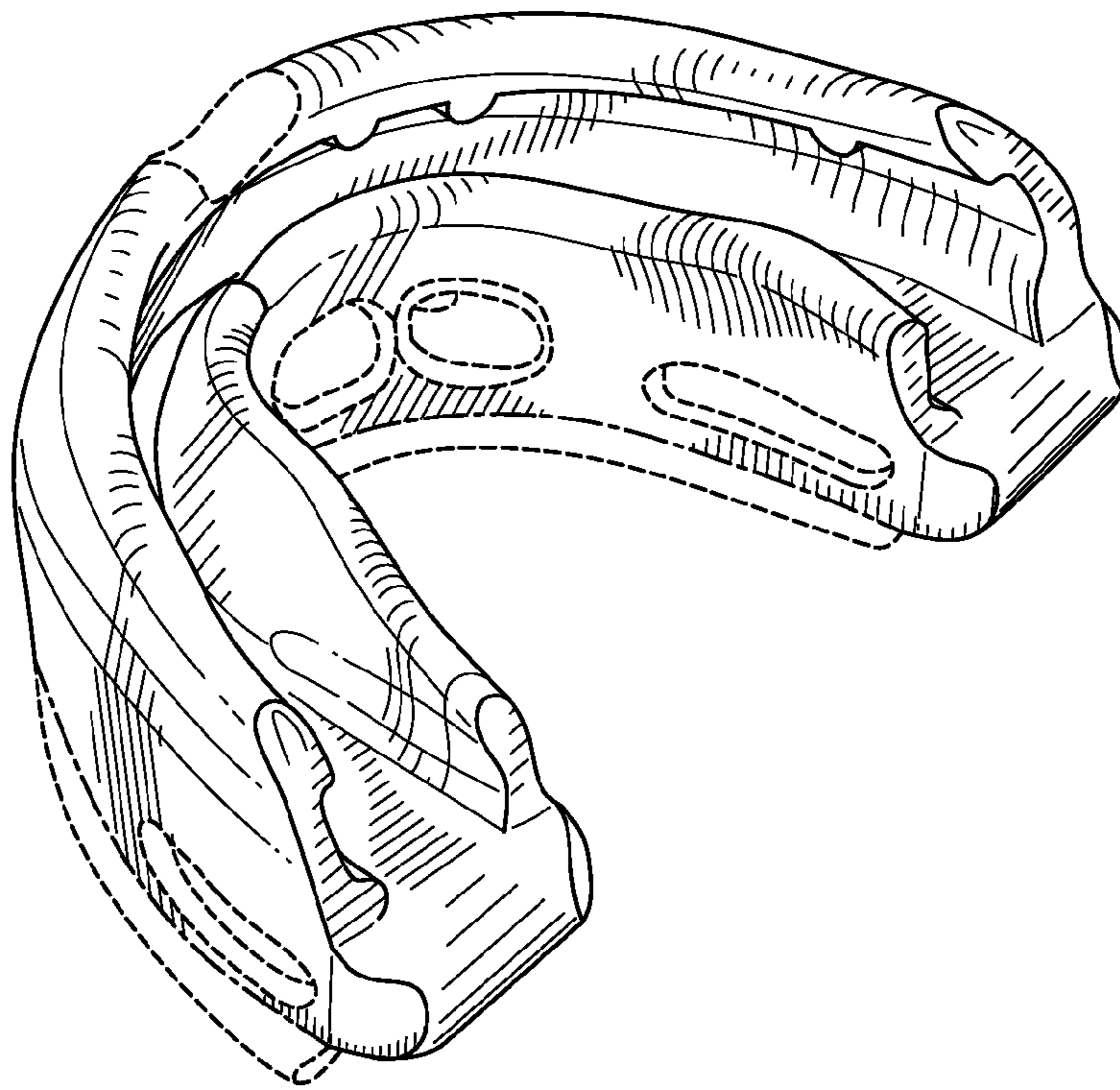


FIG. 9