



US00D652572S

(12) **United States Design Patent**
Moran

(10) **Patent No.:** **US D652,572 S**
(45) **Date of Patent:** **** Jan. 17, 2012**

- (54) **TOOTHPICK AND HOLDER**
- (76) Inventor: **William J. Moran**, Tempe, AZ (US)
- (**) Term: **14 Years**
- (21) Appl. No.: **29/392,808**
- (22) Filed: **May 26, 2011**
- (51) **LOC (9) Cl.** **28-03**
- (52) **U.S. Cl.** **D28/65**
- (58) **Field of Classification Search** D28/31,
D28/56, 65-68, 73; D24/152, 154; 433/141,
433/146-147; 132/322-329
See application file for complete search history.

- D485,945 S * 1/2004 Blasi et al. D28/66
- D486,415 S 2/2004 Curtis
- 6,848,453 B2 2/2005 Hampton
- D527,298 S 8/2006 Chong
- D549,392 S 8/2007 Thompson
- D558,348 S 12/2007 Aldecoa
- D571,044 S * 6/2008 Conte et al. D28/66
- D584,454 S * 1/2009 Tipp et al. D28/65

* cited by examiner

Primary Examiner — Zenia Bennett

(74) *Attorney, Agent, or Firm* — QuickPatents, Inc.; Kevin Prince

(56) **References Cited**

U.S. PATENT DOCUMENTS

D1,937 S	4/1866	Knapp	
D101,785 S	11/1936	Liebschutz	
D113,516 S	8/1938	McAlear	
D147,978 S	11/1947	Johnson	
D184,334 S	2/1959	Bergeron	
D263,075 S	2/1982	Doan	
D345,629 S *	3/1994	Tipp	D28/65
D350,230 S *	9/1994	O'Brien	D3/205
D350,415 S *	9/1994	Wagner	D28/65
D364,941 S	12/1995	Saulsbury	
D365,441 S	12/1995	Drake et al.	
D368,985 S *	4/1996	Tipp	D28/65
D374,745 S *	10/1996	Harris	D28/65
D378,446 S	3/1997	Lutzker	
5,642,741 A *	7/1997	Choi	132/329
D453,587 S	2/2002	Banuelos	

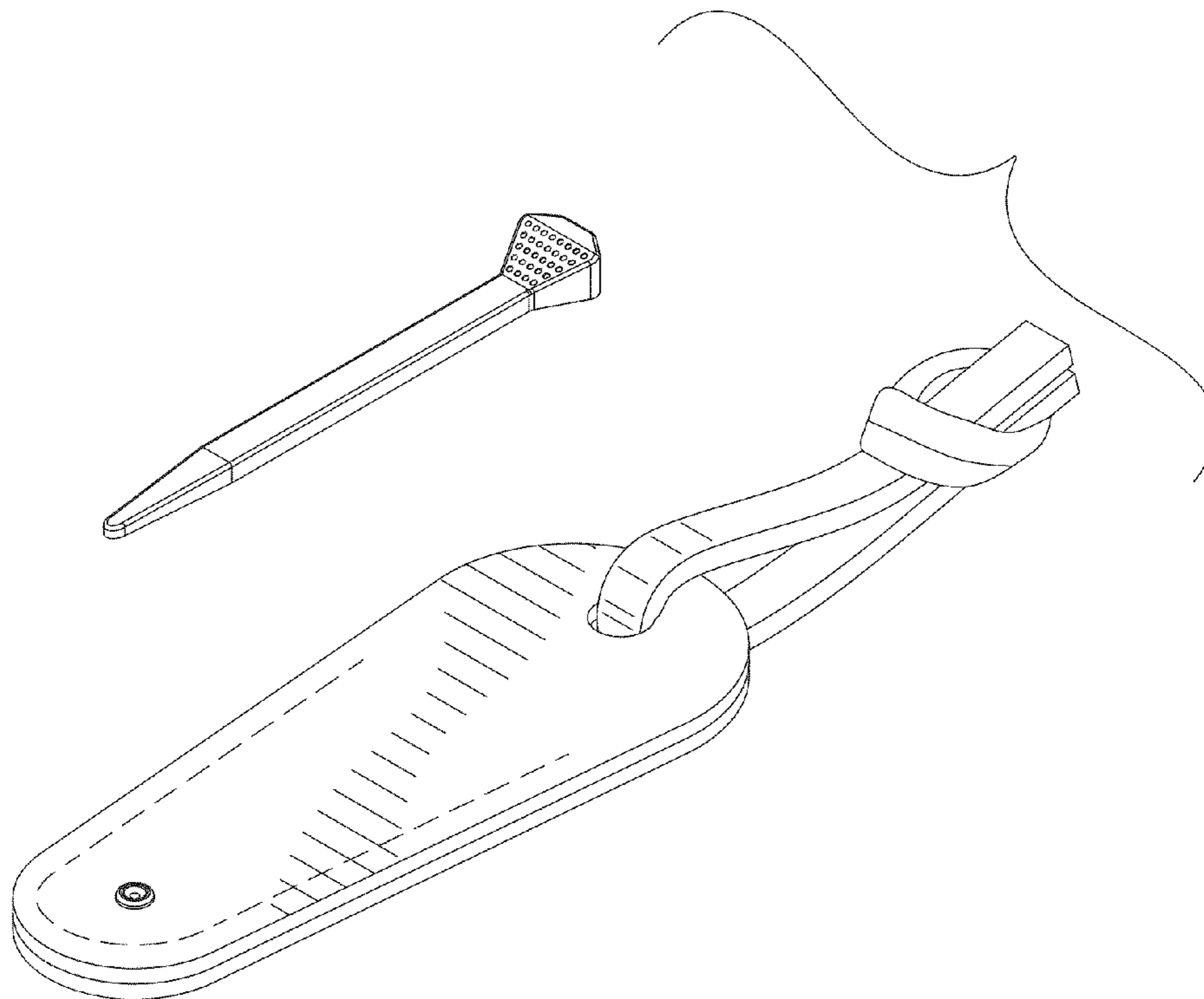
(57) **CLAIM**

I claim the ornamental design for a toothpick and holder, therefore as shown and described.

DESCRIPTION

FIG. 1 is a perspective view of a toothpick as contained within a holder therefore, showing my new design;
 FIG. 2 is an exploded perspective view thereof;
 FIG. 3 is a front elevational view thereof;
 FIG. 4 is a top plan view thereof;
 FIG. 5 is a rear elevational view thereof;
 FIG. 6 is a left-side elevational view thereof, the right-side elevational view being a mirror image thereof; and,
 FIG. 7 is a bottom plan view thereof.
 The broken lines in the figures represent stitching, and are part of the claimed design.

1 Claim, 3 Drawing Sheets



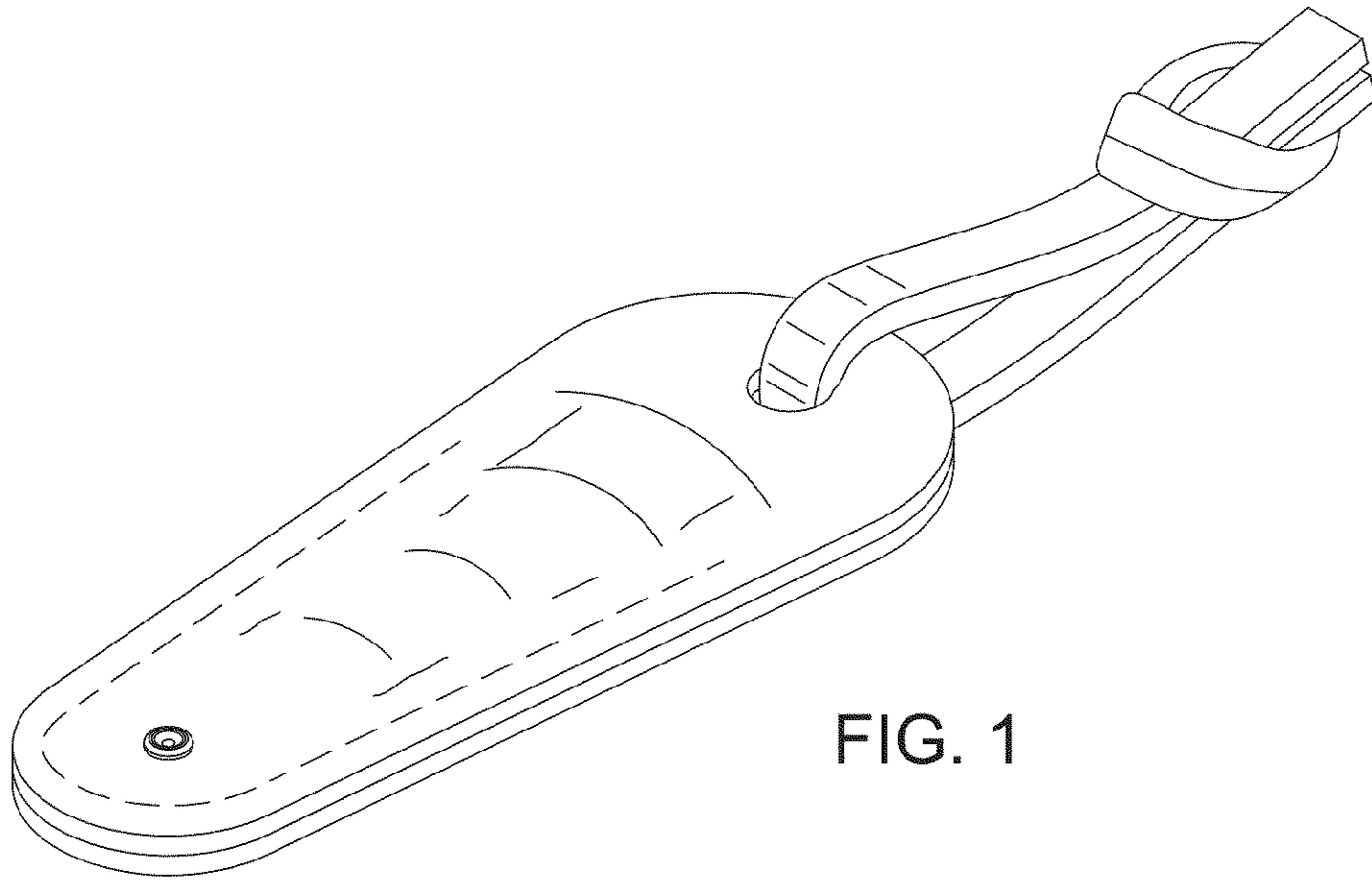


FIG. 1

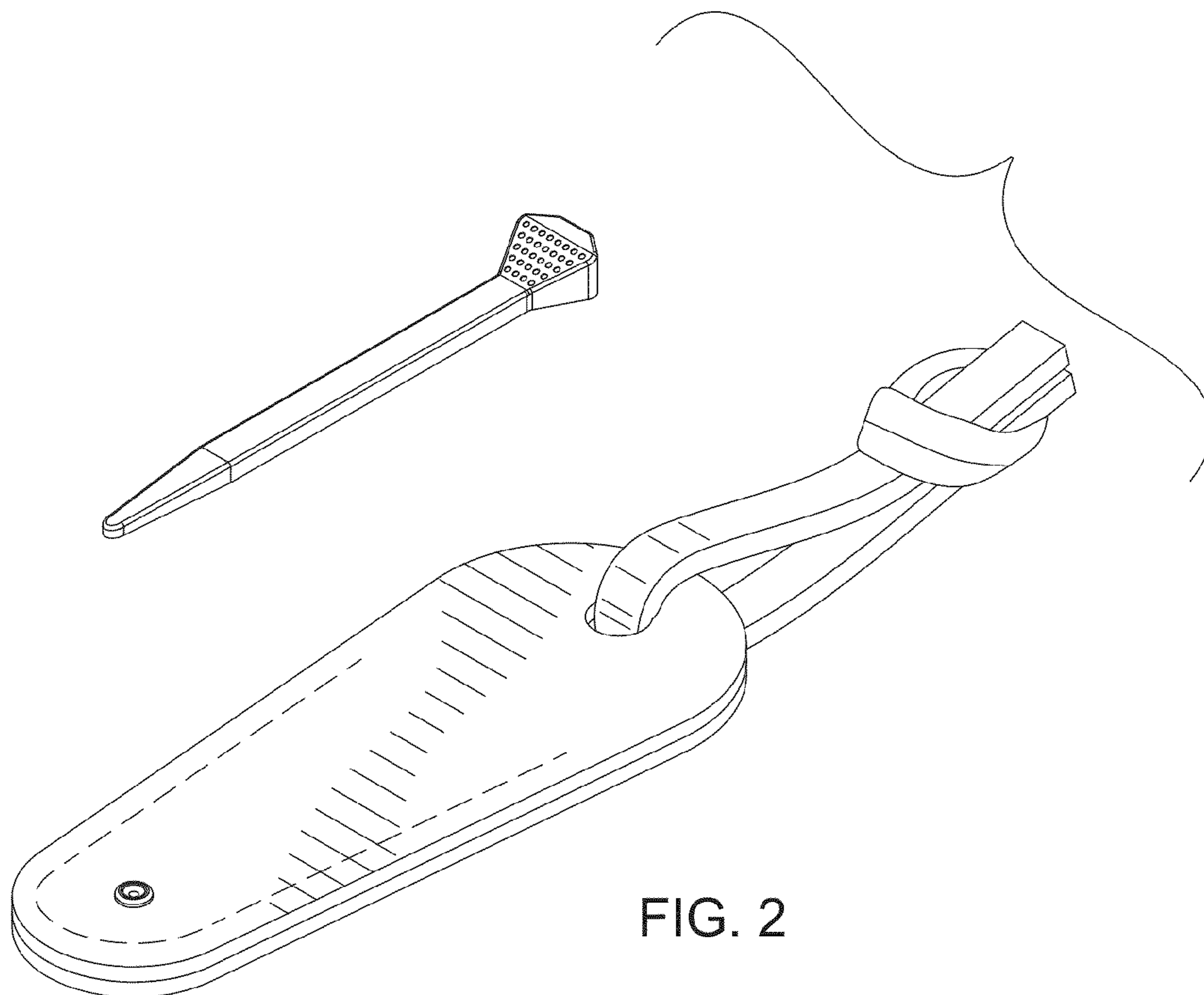


FIG. 2

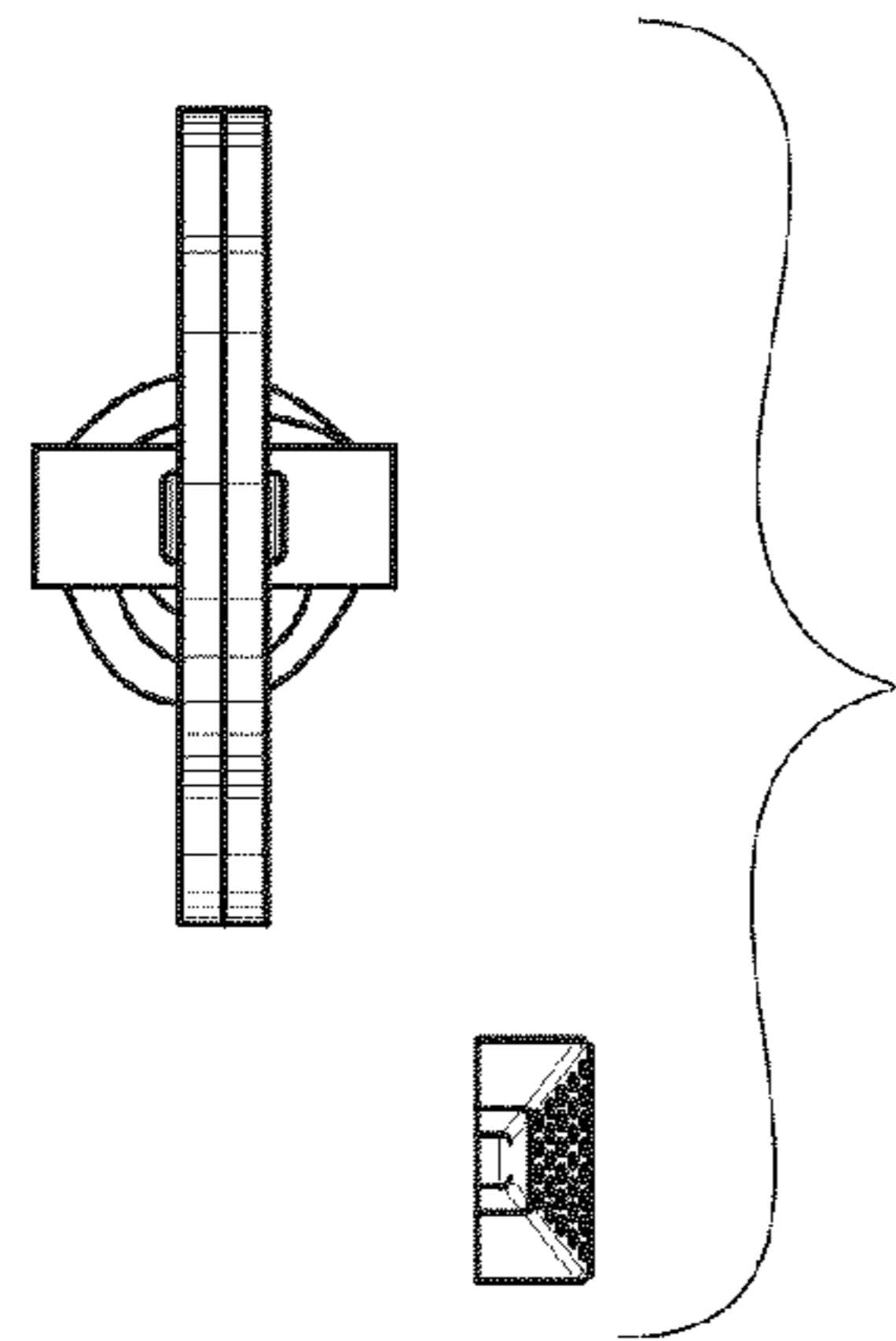


FIG. 3

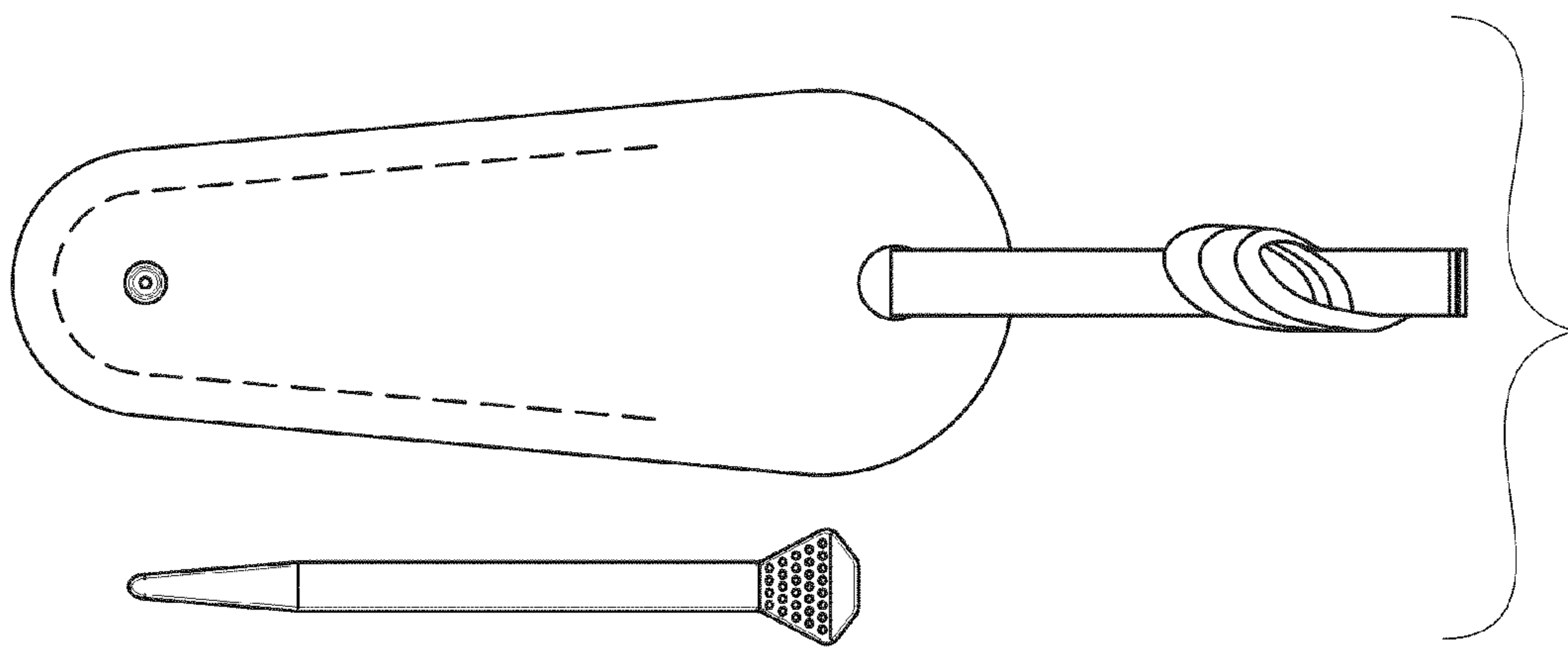


FIG. 4

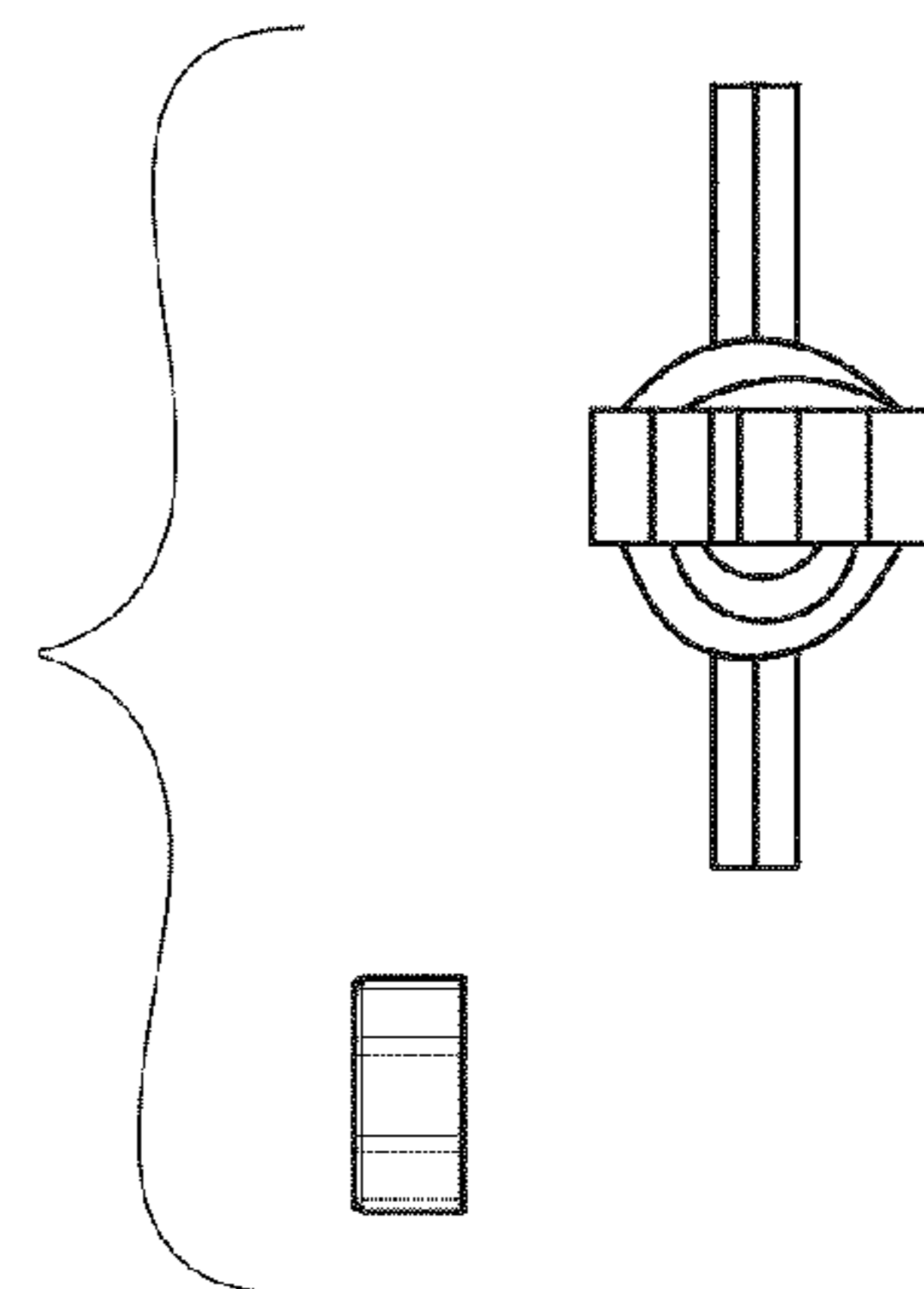


FIG. 5

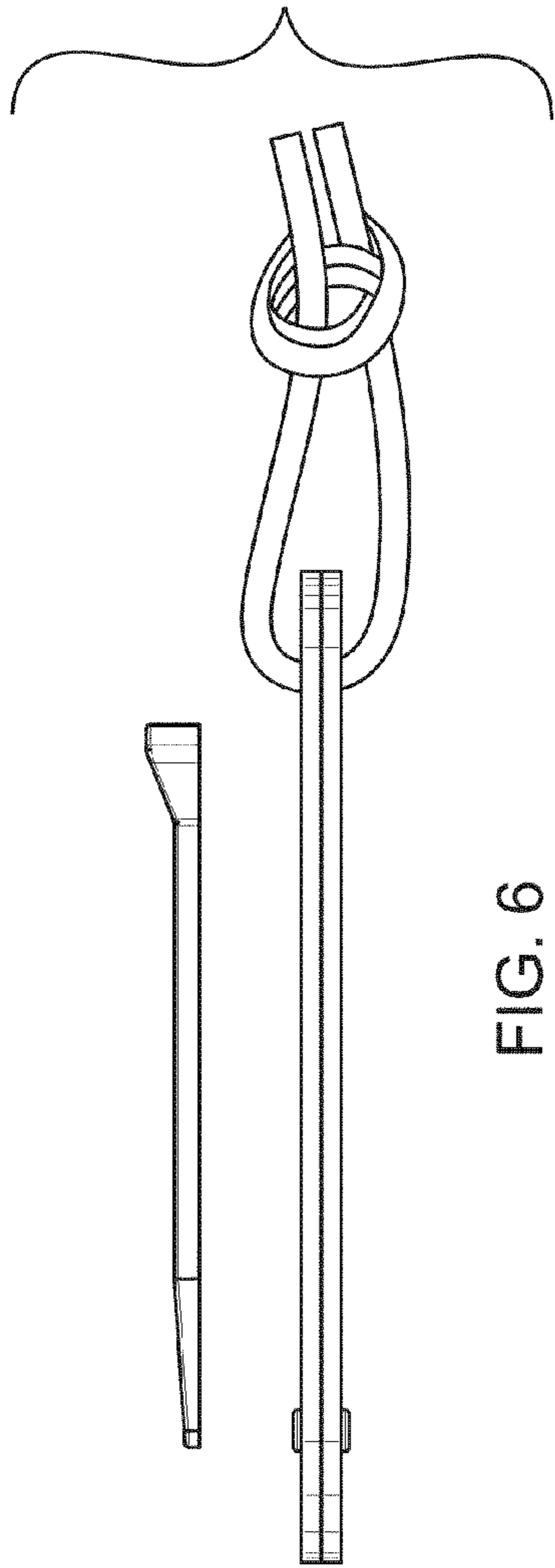


FIG. 6

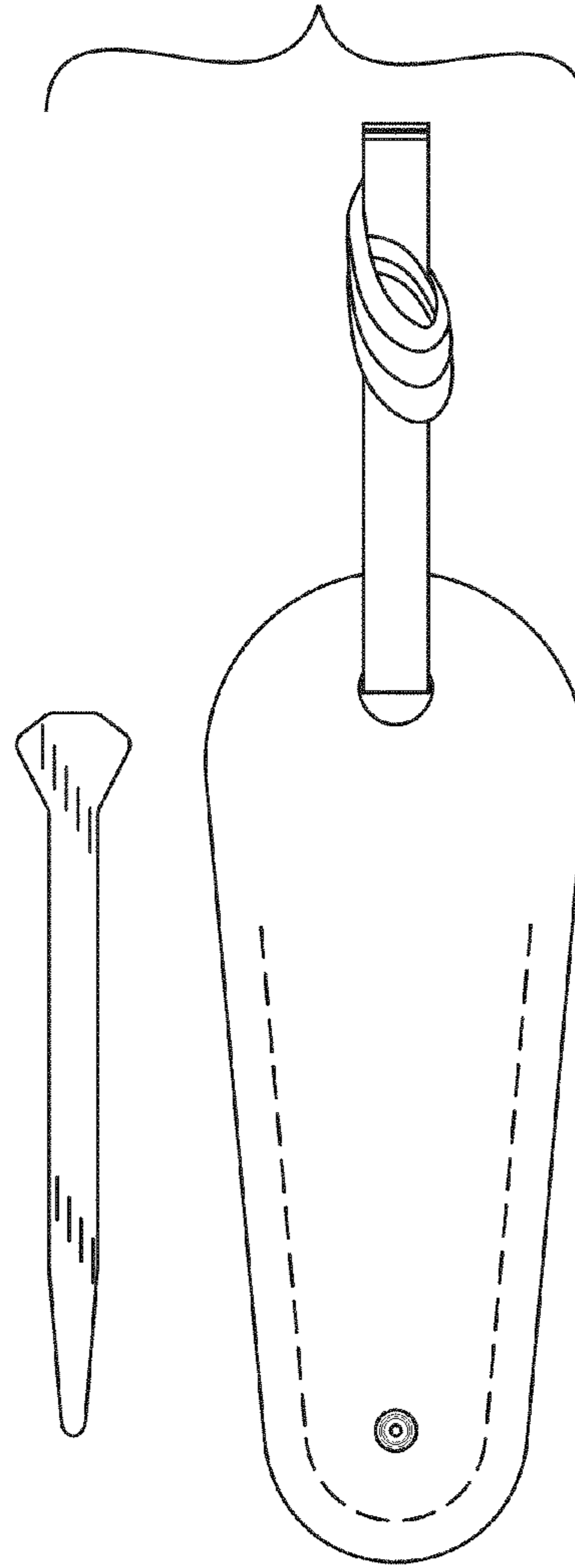


FIG. 7