



US00D652571S

(12) **United States Design Patent**  
**Shenassa et al.**

(10) **Patent No.:** **US D652,571 S**  
(45) **Date of Patent:** **\*\* Jan. 17, 2012**

(54) **PIPE WITH EXPANSION CHAMBER**

(75) Inventors: **Mitchel B. Shenassa**, Longmont, CO  
(US); **Michael A. Sulka**, Boulder, CO  
(US); **Michael F. Cupo**, Boulder, CO  
(US); **George P. O'Connor**, Golden, CO  
(US)

(73) Assignee: **Incredibowl Industries, LLC.**,  
Longmont, CO (US)

(\*\*) Term: **14 Years**

(21) Appl. No.: **29/368,806**

(22) Filed: **Aug. 30, 2010**

(51) **LOC (9) Cl.** ..... **27-02**

(52) **U.S. Cl.** ..... **D27/163**

(58) **Field of Classification Search** ..... 131/179,  
131/191, 351, 194, 331, 349, 256, 347, 172,  
131/365, 335, 361, 364, 215.1, 215.3, 202,  
131/205, 163, 180, 181, 162, 173, 330, 186,  
131/187; D27/163, 165, 101, 100, 172, 161,  
D27/187, 170

See application file for complete search history.

(56) **References Cited**

U.S. PATENT DOCUMENTS

2,778,363 A \* 1/1957 Anderson ..... 131/181  
3,091,246 A \* 5/1963 Mahieux ..... 131/195

D239,947 S \* 5/1976 Frost ..... D27/170  
D246,602 S \* 12/1977 Frost ..... D27/170  
D246,604 S \* 12/1977 Frost ..... D27/163  
4,253,475 A \* 3/1981 Schreiber et al. .... 131/173  
4,357,948 A \* 11/1982 Schweitzer et al. .... 131/173  
4,788,988 A \* 12/1988 Titus ..... 131/198.2  
5,501,234 A \* 3/1996 Hyre ..... 131/187

\* cited by examiner

*Primary Examiner* — Kevin Rudzinski

(74) *Attorney, Agent, or Firm* — Patent Law Offices of Rick  
Martin, P.C.

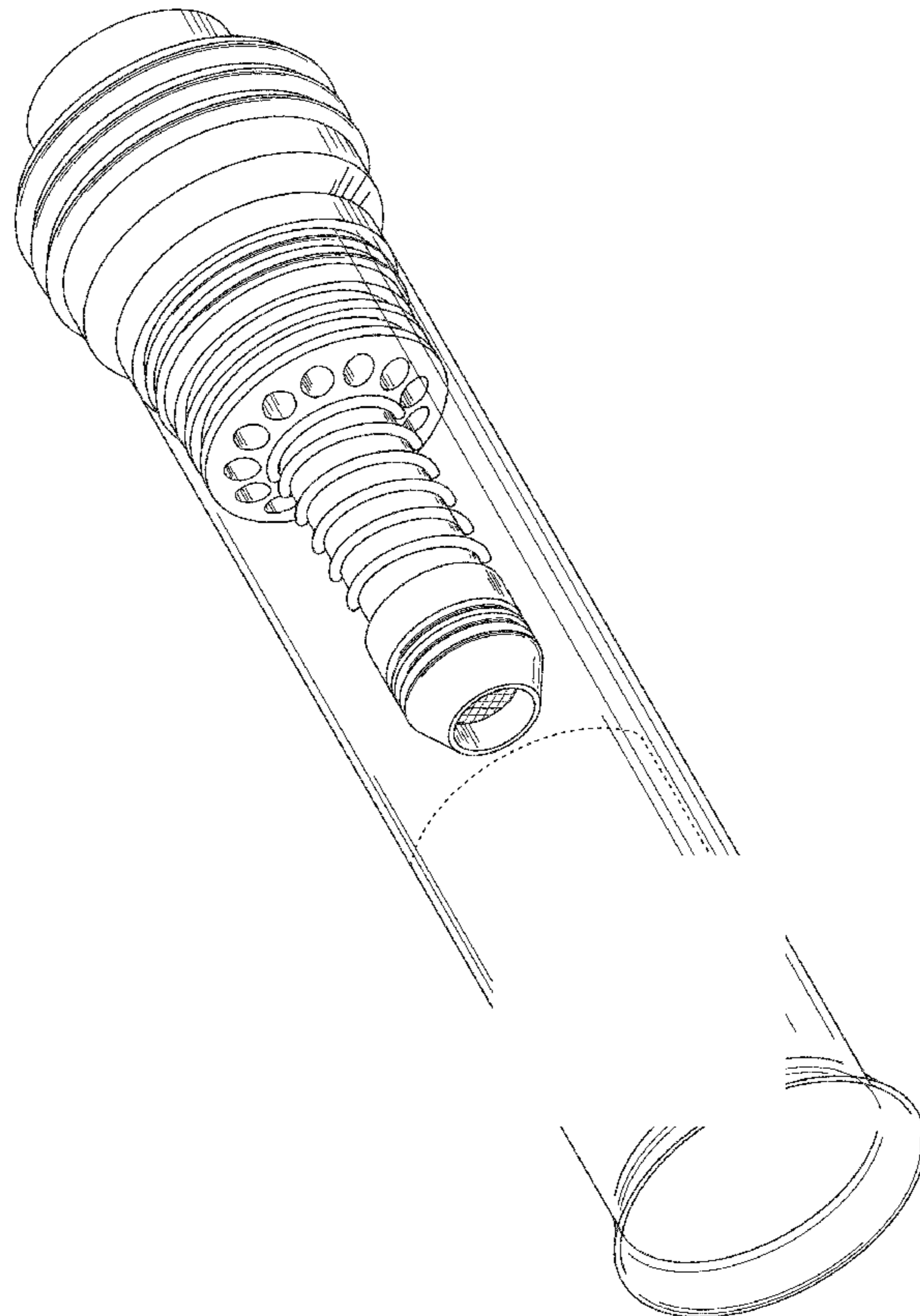
(57) **CLAIM**

The ornamental design for a pipe with expansion chamber, as  
shown and described.

**DESCRIPTION**

FIG. 1 is a perspective view of a pipe with expansion chamber  
showing my new design;  
FIG. 2 is a rear elevational view thereof;  
FIG. 3 is a front elevational view thereof;  
FIG. 4 is a top plan view thereof;  
FIG. 5 is a bottom plan view thereof; and,  
FIG. 6 is a side elevational view thereof.  
Portions of the pipe with expansion chamber shown in broken  
lines form no part of the claimed design.

**1 Claim, 3 Drawing Sheets**



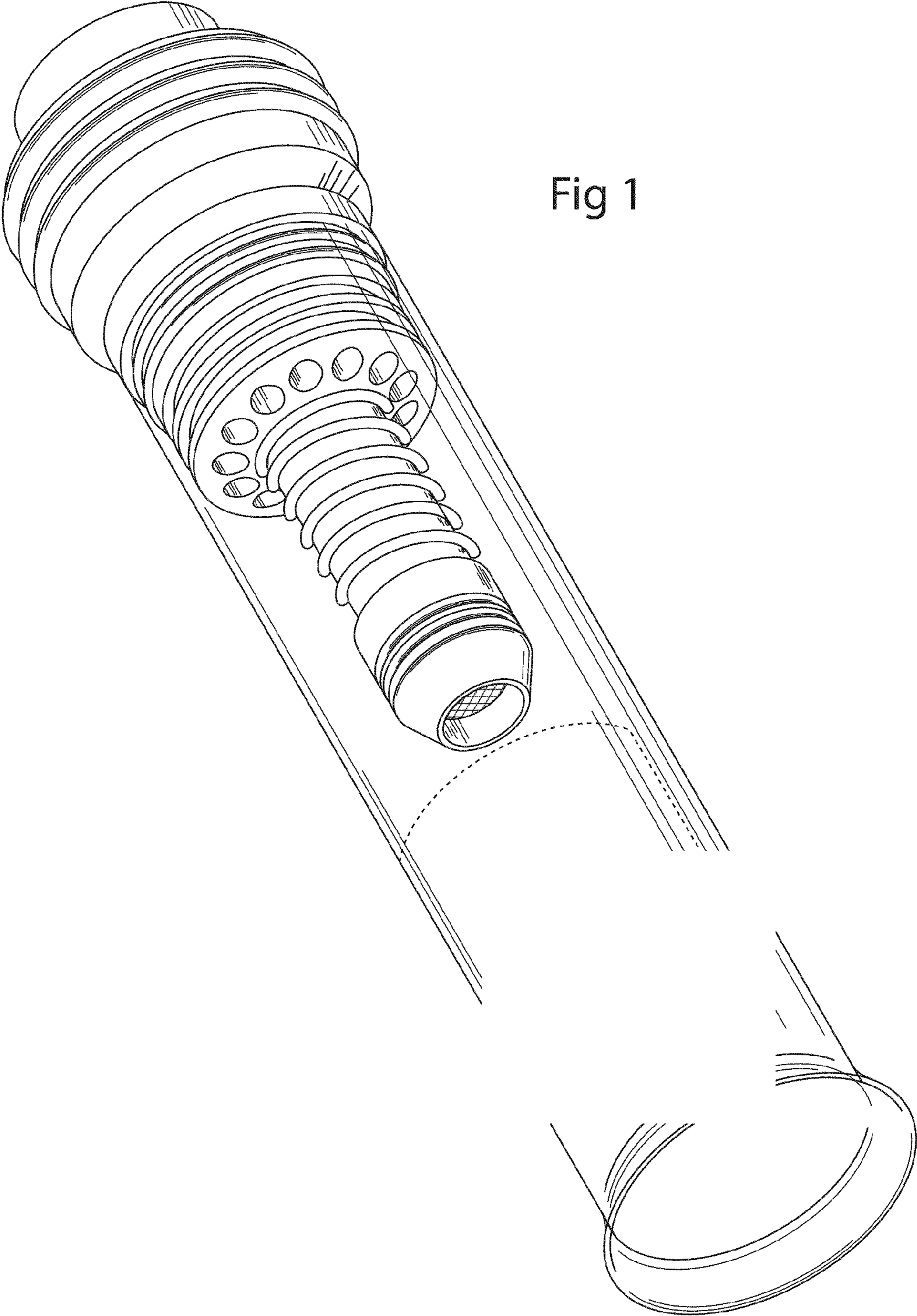


Fig 1

Fig 2

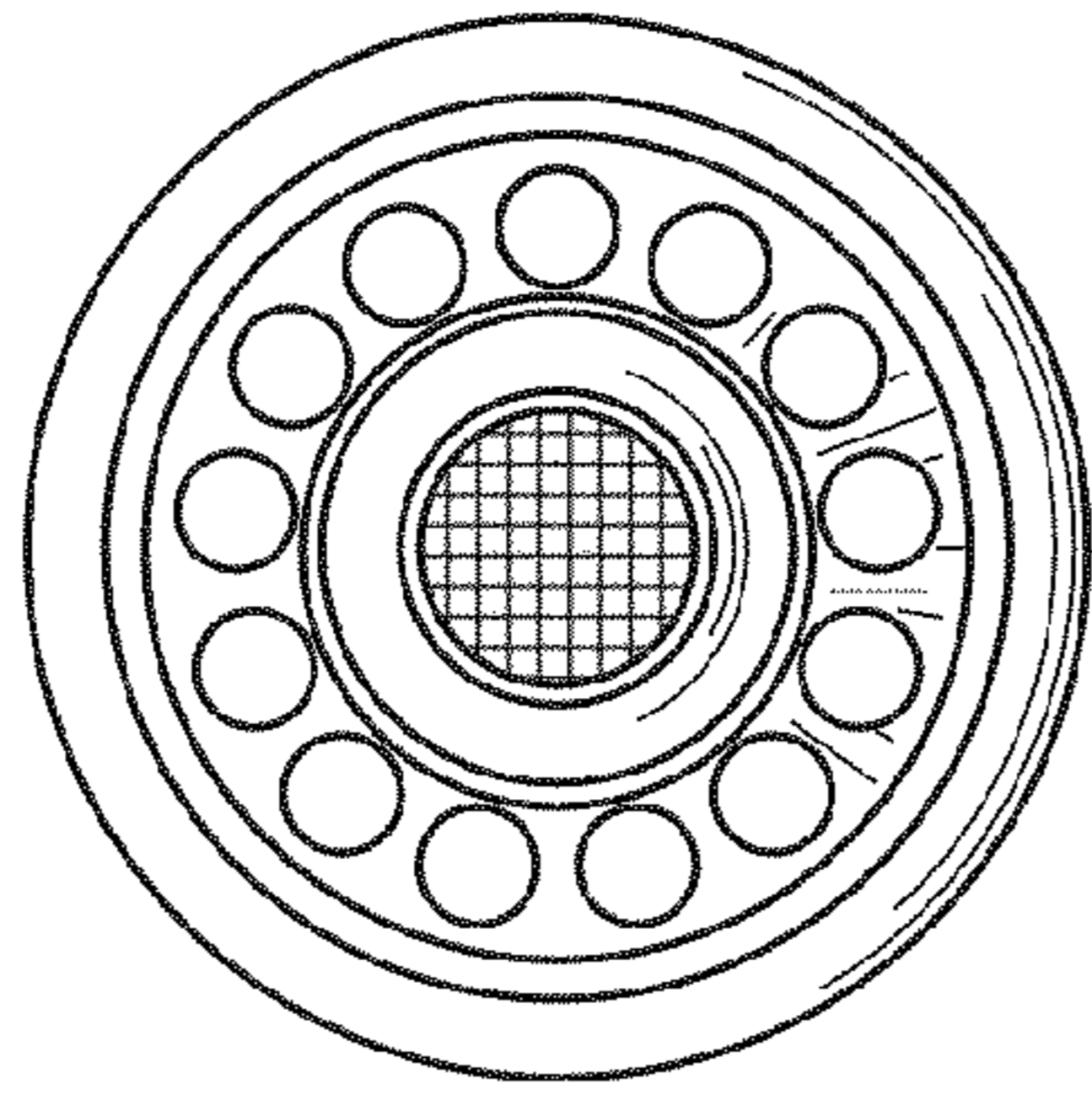


Fig 3

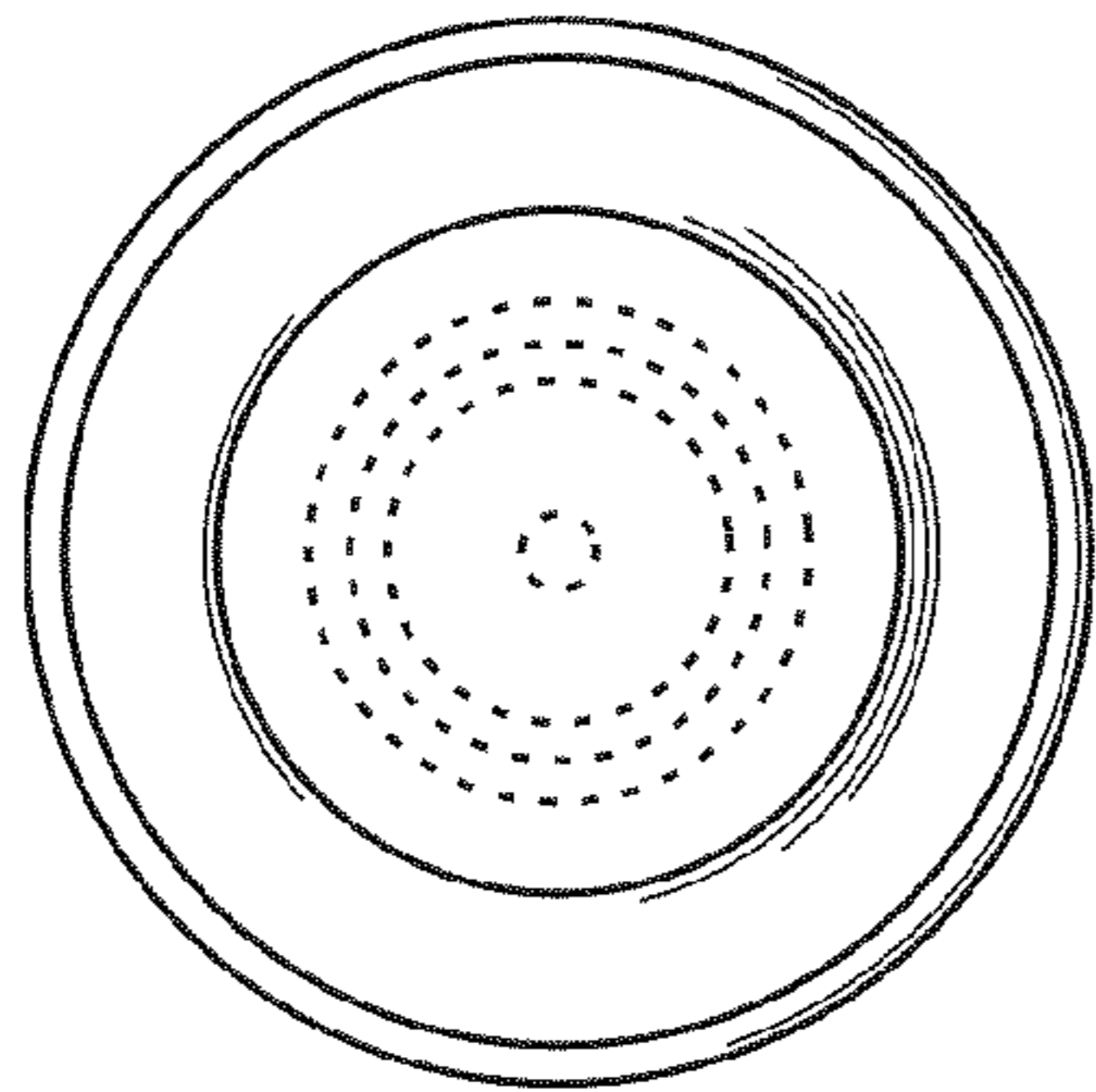


Fig 4

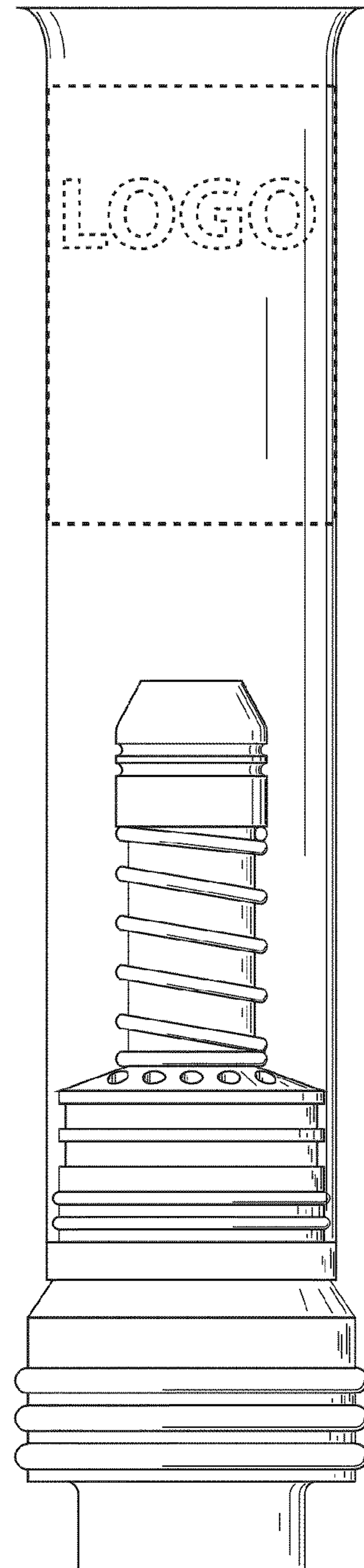


Fig 5

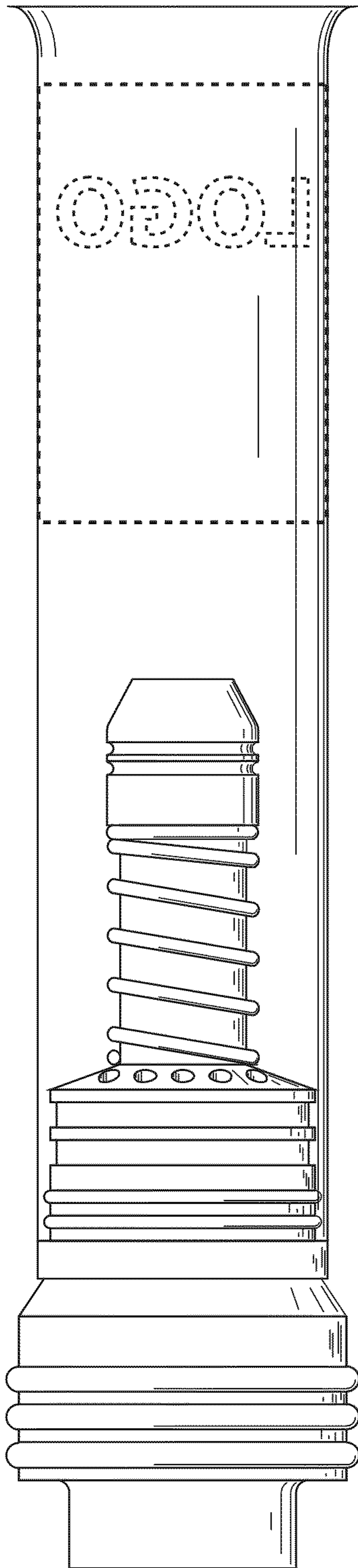
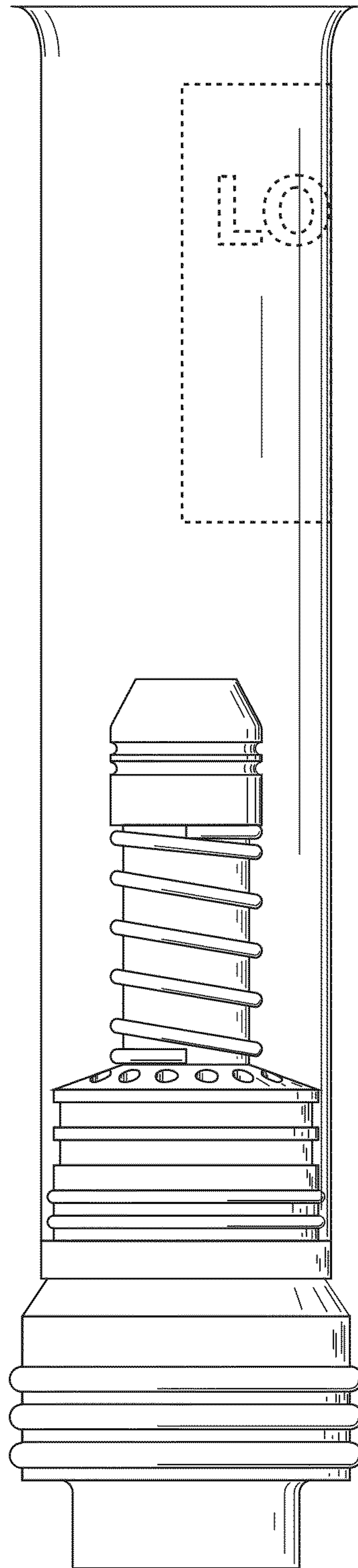


Fig 6



UNITED STATES PATENT AND TRADEMARK OFFICE  
**CERTIFICATE OF CORRECTION**

PATENT NO. : D652,571 S  
APPLICATION NO. : 29/368806  
DATED : January 17, 2012  
INVENTOR(S) : Mitchel B Shenassa et al.

Page 1 of 3

It is certified that error appears in the above-identified patent and that said Letters Patent is hereby corrected as shown below:

The title page showing the illustrative figure should be deleted to be replaced with the attached title page.

In the drawing sheet, consisting of Fig. 1, should be deleted to be replaced with the drawing sheet, consisting of Fig. 1, as shown on the attached pages.

Signed and Sealed this  
Twenty-seventh Day of November, 2012

A handwritten signature in black ink that reads "David J. Kappos". The signature is written in a cursive, slightly slanted style.

David J. Kappos  
*Director of the United States Patent and Trademark Office*

(12) **United States Design Patent**  
 Shenassa et al.

(10) **Patent No.:** US D652,571 S  
 (45) **Date of Patent:** \*\* Jan. 17, 2012

(54) **PIPE WITH EXPANSION CHAMBER**

(75) Inventors: **Mitchel B. Shenassa**, Longmont, CO (US); **Michael A. Sulka**, Boulder, CO (US); **Michael F. Cupo**, Boulder, CO (US); **George P. O'Connor**, Golden, CO (US)

(73) Assignee: **Incredibowl Industries, LLC.**, Longmont, CO (US)

(\*\*) Term: **14 Years**

(21) Appl. No.: **29/368,806**

(22) Filed: **Aug. 30, 2010**

(51) LOC (9) Cl. .... 27-02

(52) U.S. Cl. .... **D27/163**

(58) **Field of Classification Search** ..... 131/179,  
 131/191, 351, 194, 331, 349, 256, 347, 172,  
 131/365, 335, 361, 364, 215.1, 215.3, 202,  
 131/205, 163, 180, 181, 162, 173, 330, 186,  
 131/187; D27/163, 165, 101, 100, 172, 161,  
 D27/187, 170

See application file for complete search history.

(56) **References Cited**

**U.S. PATENT DOCUMENTS**

2,778,363 A \* 1/1957 Anderson ..... 131/181  
 3,091,246 A \* 5/1963 Mahieux ..... 131/195

D239,947 S \* 5/1976 Frost ..... D27/170  
 D246,602 S \* 12/1977 Frost ..... D27/170  
 D246,604 S \* 12/1977 Frost ..... D27/163  
 4,253,475 A \* 3/1981 Schreiber et al. .... 131/173  
 4,357,948 A \* 11/1982 Schweitzer et al. .... 131/173  
 4,788,988 A \* 12/1988 Titus ..... 131/198.2  
 5,501,234 A \* 3/1996 Hyre ..... 131/187

\* cited by examiner

*Primary Examiner* -- Kevin Rudzinski

(74) *Attorney, Agent, or Firm* — Patent Law Offices of Rick Martin, P.C.

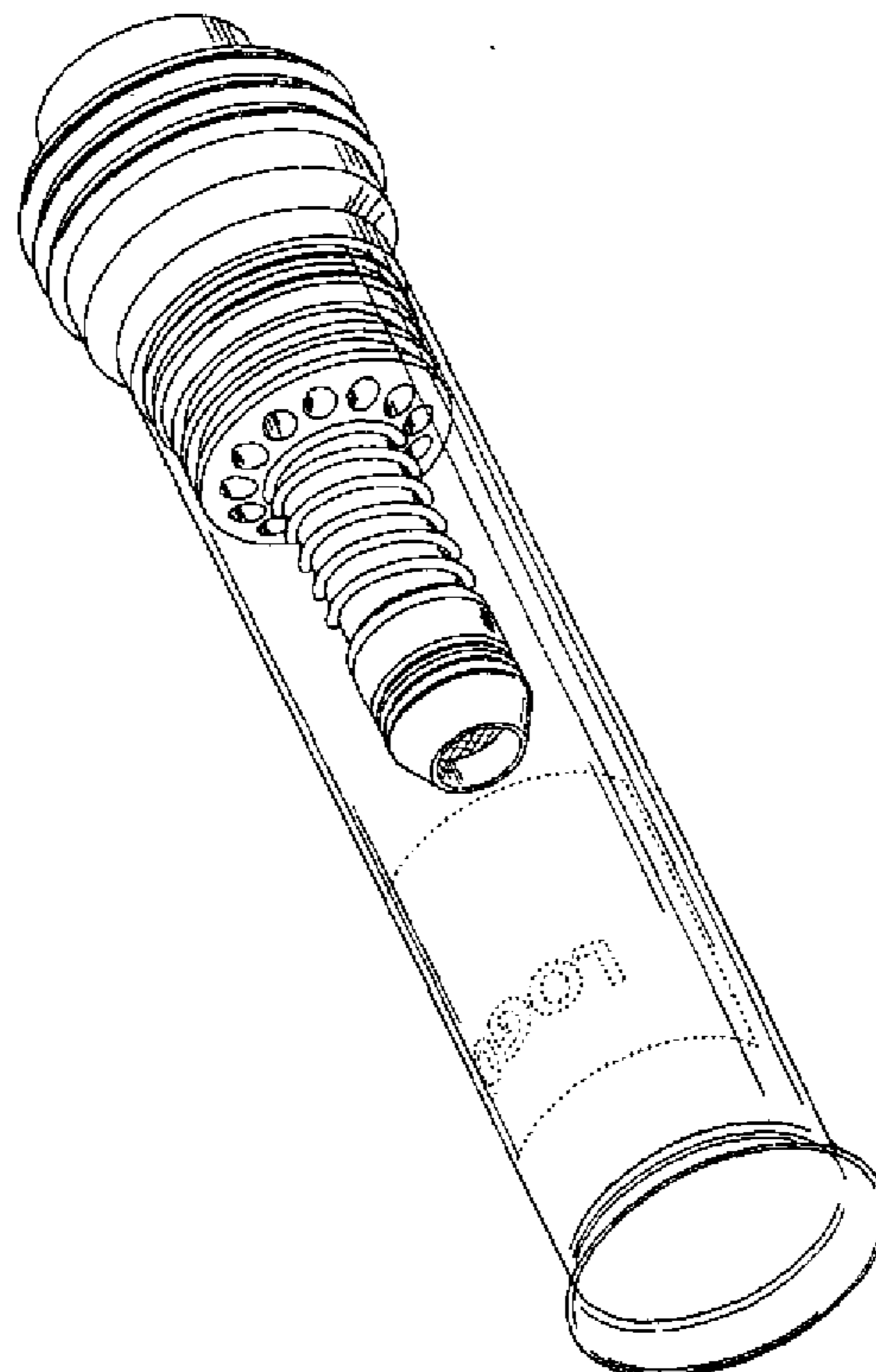
(57) **CLAIM**

The ornamental design for a pipe with expansion chamber, as shown and described.

**DESCRIPTION**

FIG. 1 is a perspective view of a pipe with expansion chamber showing my new design;  
 FIG. 2 is a rear elevational view thereof;  
 FIG. 3 is a front elevational view thereof;  
 FIG. 4 is a top plan view thereof;  
 FIG. 5 is a bottom plan view thereof; and,  
 FIG. 6 is a side elevational view thereof.  
 Portions of the pipe with expansion chamber shown in broken lines form no part of the claimed design.

**1 Claim, 3 Drawing Sheets**



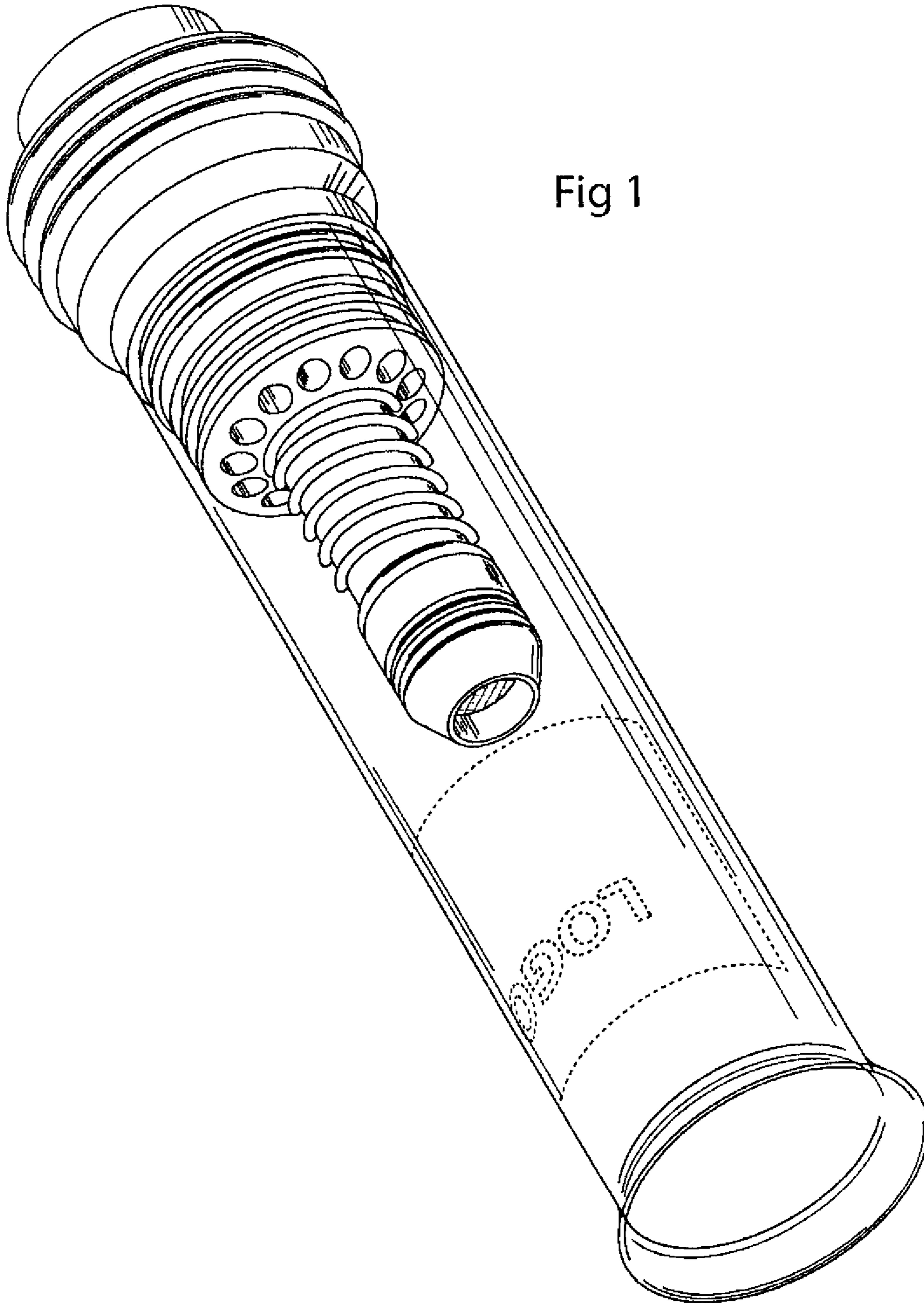


Fig 1