



US00D652569S

(12) **United States Design Patent**
Trzesniowski

(10) **Patent No.:** **US D652,569 S**
(45) **Date of Patent:** **** Jan. 17, 2012**

(54) **EXTRUSION FOR LED-BASED LIGHTING APPARATUS**

(75) Inventor: **Slawomir Trzesniowski**, Cremorne (PL)

(73) Assignee: **LEDs ON**, Warsaw (PL)

(**) Term: **14 Years**

(21) Appl. No.: **29/394,629**

(22) Filed: **Jun. 20, 2011**

(30) **Foreign Application Priority Data**

Feb. 15, 2011 (EM) 001821752-0001

(51) **LOC (9) Cl.** **26-99**

(52) **U.S. Cl.** **D26/138**

(58) **Field of Classification Search** D26/46,
D26/72, 76, 79, 113, 118, 119, 120, 121,
D26/125, 128, 138, 140, 141, 142, 144, 145,
D26/152, 155; 362/218, 373, 225, 240, 241,
362/230, 146, 600, 606, 632, 151, 217, 219,
362/659, 258, 270, 279, 280, 292; D8/300,
D8/314, 323, 369, 376, 377, 394; D15/135,
D15/136, 144; D6/300, 491, 495, 500, 511,
D6/580; D13/110, 155, 179, 180; D34/29,
D34/35, 38; D25/38, 47, 60, 69, 113, 119,
D25/120, 121, 122, 123, 124, 125, 136, 138,
D25/164; 52/177, 235; 174/37, 95, 101

See application file for complete search history.

(56) **References Cited**

U.S. PATENT DOCUMENTS

D47,729 S * 8/1915 Heulings, Jr. D25/119
D110,622 S * 7/1938 Lowry D25/119
D141,049 S * 5/1945 Ketchum, Jr. D25/119
D185,549 S * 6/1959 Hallock D25/119
D191,162 S * 8/1961 Miller D25/119

D191,906 S * 12/1961 Jaffa D25/125
D199,024 S * 9/1964 Huret D25/123
D201,986 S * 8/1965 Wince D26/122
3,605,137 A * 9/1971 Stollenwerk 5/625
D228,453 S * 9/1973 Greer D25/119
D231,326 S * 4/1974 Miki D8/377
D232,910 S * 9/1974 Duperrex D8/377
D238,510 S * 1/1976 Tabler D34/29
D243,675 S * 3/1977 Dallaire D25/124
D243,685 S * 3/1977 Dallaire D25/124
D245,756 S * 9/1977 McKee D8/376
D249,366 S * 9/1978 Jury D25/124
D251,444 S * 3/1979 Bancroft et al. D25/125
D251,445 S * 3/1979 Bancroft et al. D25/119
D251,446 S * 3/1979 Bancroft et al. D25/125
D251,451 S * 3/1979 Toder D25/121
D252,471 S * 7/1979 Broadbent D25/119
4,166,195 A * 8/1979 Schwab 174/95
D258,538 S * 3/1981 Cribben et al. D25/125
D258,619 S * 3/1981 Dallaire D25/119
D265,035 S * 6/1982 Fether et al. D8/403

(Continued)

Primary Examiner — Kevin Rudzinski

(74) *Attorney, Agent, or Firm* — Zane Coleman

(57) **CLAIM**

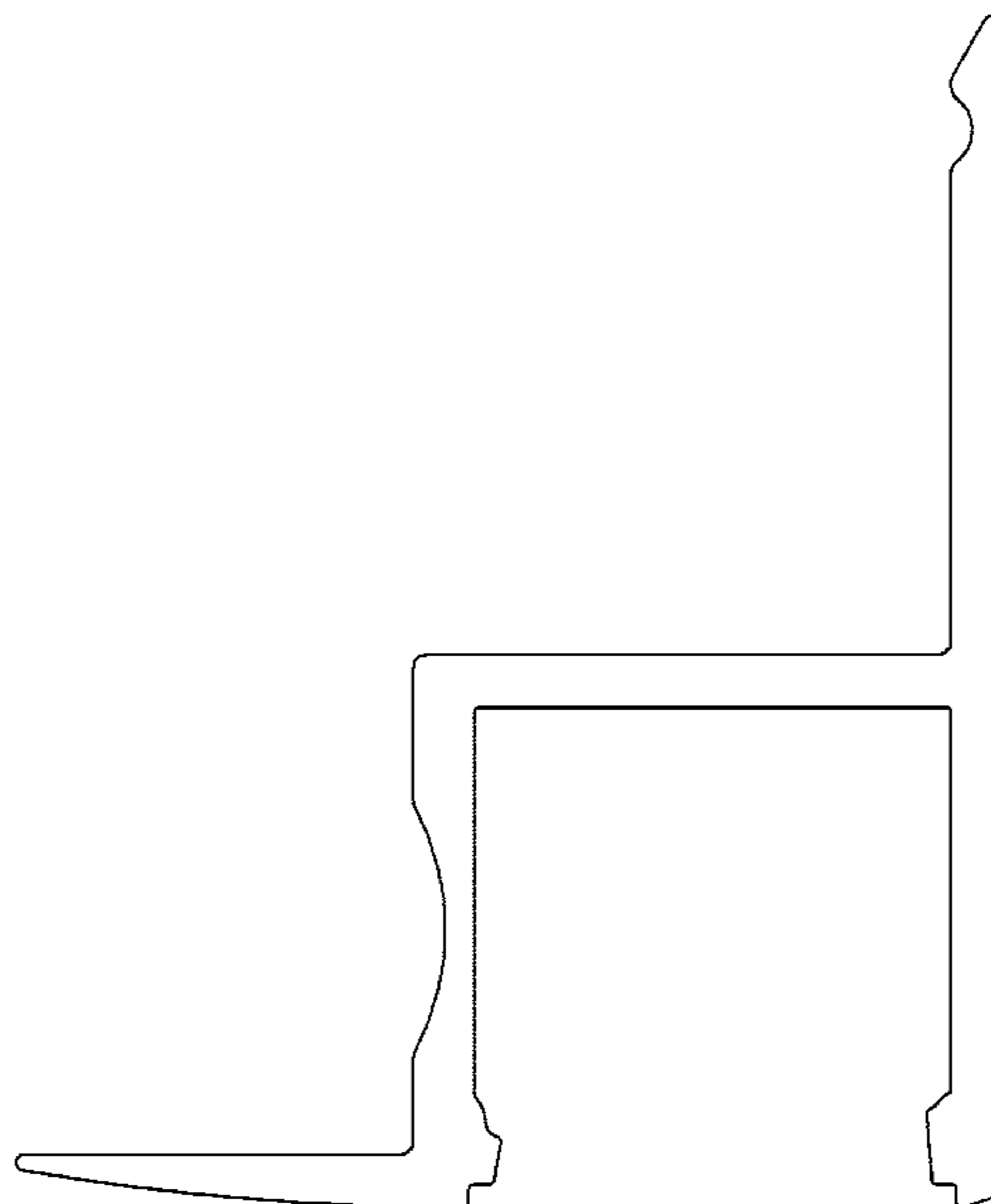
The ornamental design for an extrusion for LED-based lighting apparatus, as shown and described.

DESCRIPTION

FIG. 1 is a right side elevation view of an extrusion for LED-based lighting apparatus showing my new and original design; the left side elevation view being a mirror image thereof; and,

FIG. 2 is front right side perspective view of the extrusion of FIG. 1 shown broken away to indicate non-specified length. The broken lines and bracket shown in FIG. 2, used to indicate that the extrusion has a non-specified length, form no part of the claimed design.

1 Claim, 2 Drawing Sheets



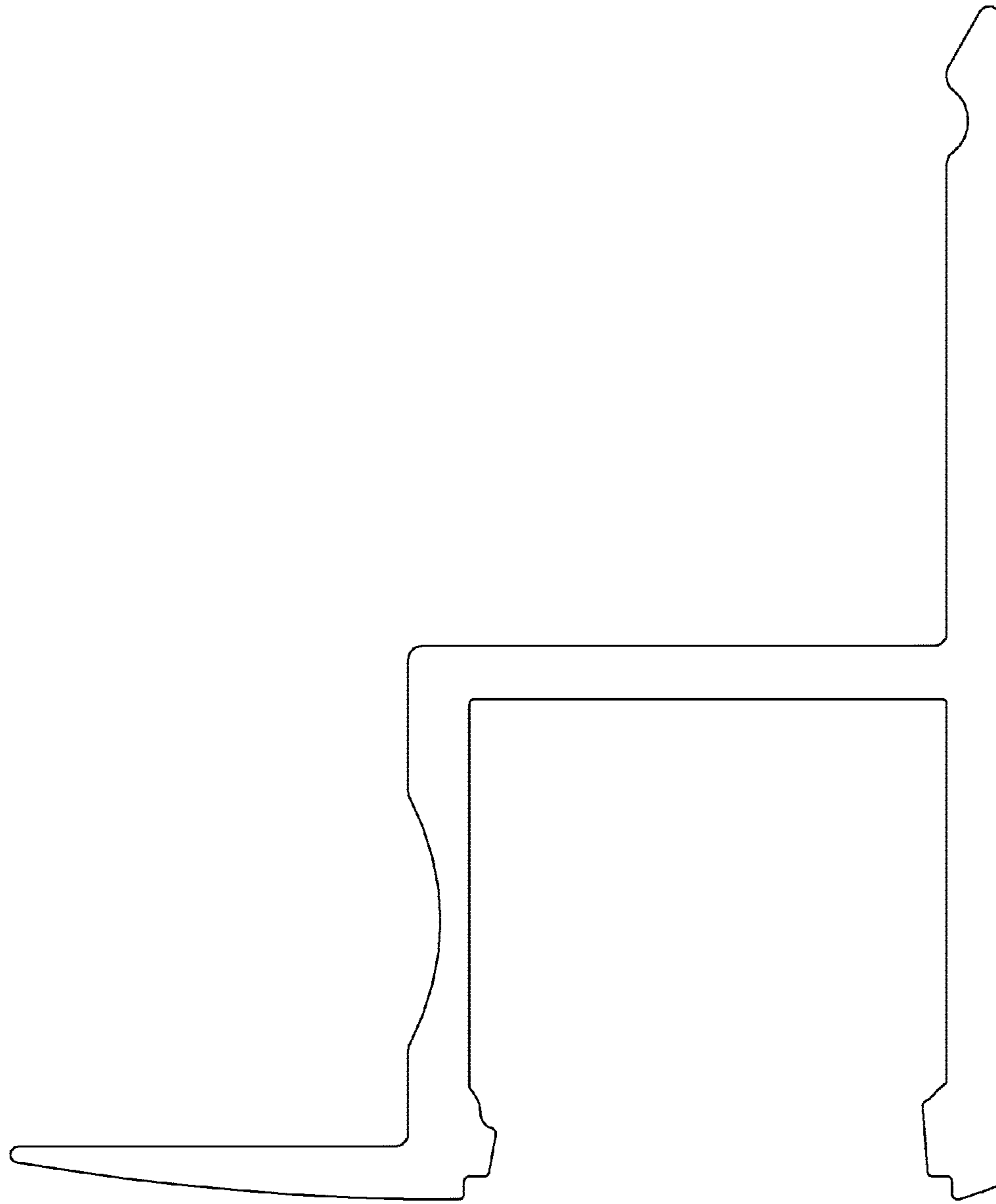


FIG. 1

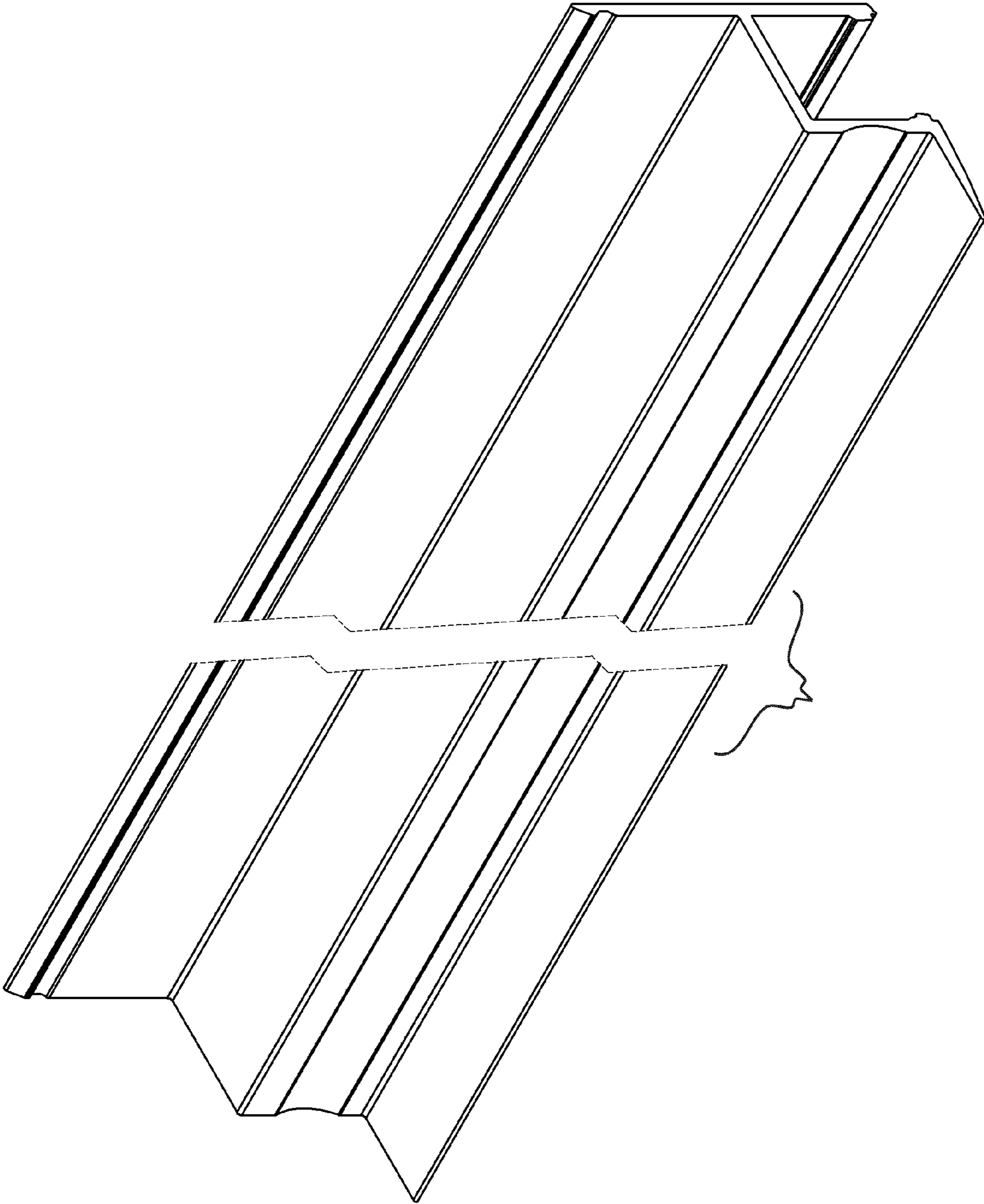


FIG. 2