



US00D652567S

(12) **United States Design Patent**
Kitts

(10) **Patent No.:** **US D652,567 S**
(45) **Date of Patent:** **** Jan. 17, 2012**

(54) **LAMP**

(75) Inventor: **David Kitts**, Rutland, VT (US)

(73) Assignee: **Hubbardton Forge LLC**, Castleton, VT (US)

(**) Term: **14 Years**

(21) Appl. No.: **29/394,251**

(22) Filed: **Jun. 15, 2011**

(51) **LOC (9) Cl.** **26-99**

(52) **U.S. Cl.** **D26/138**

(58) **Field of Classification Search** D26/38,
D26/36, 46, 73, 76, 81, 84, 88, 118, 138,
D26/120, 13, 154, 155, 145, 86, 87, 85, 142,
D26/61, 24, 93, 92, 153, 91, 89, 74, 121,
D26/122, 71, 110, 105, 111, 131, 83, 80,
D26/1, 2, 3, 4, 5, 26, 123, 125, 128, 63, 62,
D26/64, 65, 41, 69, 139, 152, 150, 151, 141,
D26/143, 144, 51, 140; 362/269, 648, 238,
362/111, 105, 86, 373, 294, 362, 297, 346,
362/341, 356, 352, 433, 404, 235, 240, 249.01–249.11,
362/321, 287, 374, 427, 190, 281, 324, 272,
362/244, 555, 147, 348, 263, 350; D10/11,
D10/114.1; D22/108; 42/146, 117, 114,
42/115, 116, 142, 1.01; 439/110; 403/92,
403/97; 285/69, 78, 65; 257/89; D16/221;
D13/110, 133, 134, 179, 180, 182; 160/332;
D11/90, 89, 121, 125, 131; D25/119, 124,
D25/125, 138; D23/386; D8/373, 354, 349,
D8/389, 382, 363, 356, 377

See application file for complete search history.

(56) **References Cited**

U.S. PATENT DOCUMENTS

| | | | | |
|--------------|---------|----------------|-------|---------|
| D163,762 S * | 6/1951 | McCann | | D26/76 |
| D291,011 S * | 7/1987 | Fleming | | D26/138 |
| D293,030 S * | 12/1987 | Vladescu | | D26/107 |
| D314,059 S * | 1/1991 | O'Neil | | D26/73 |
| D320,465 S * | 10/1991 | Sonneman | | D26/86 |
| D359,813 S * | 6/1995 | Hoffman et al. | | D25/131 |
| D445,949 S * | 7/2001 | Dolan | | D26/155 |
| D473,969 S * | 4/2003 | Stephens | | D26/106 |
| D493,568 S * | 7/2004 | Parres | | D26/143 |
| D505,221 S * | 5/2005 | Hetfield | | D26/76 |
| D518,593 S * | 4/2006 | Lee | | D26/86 |
| D521,676 S * | 5/2006 | Richner | | D26/78 |
| D535,427 S * | 1/2007 | Chandler | | D26/87 |
| D554,794 S * | 11/2007 | Tseng | | D26/78 |
| D558,389 S * | 12/2007 | Chandler | | D26/142 |

(Continued)

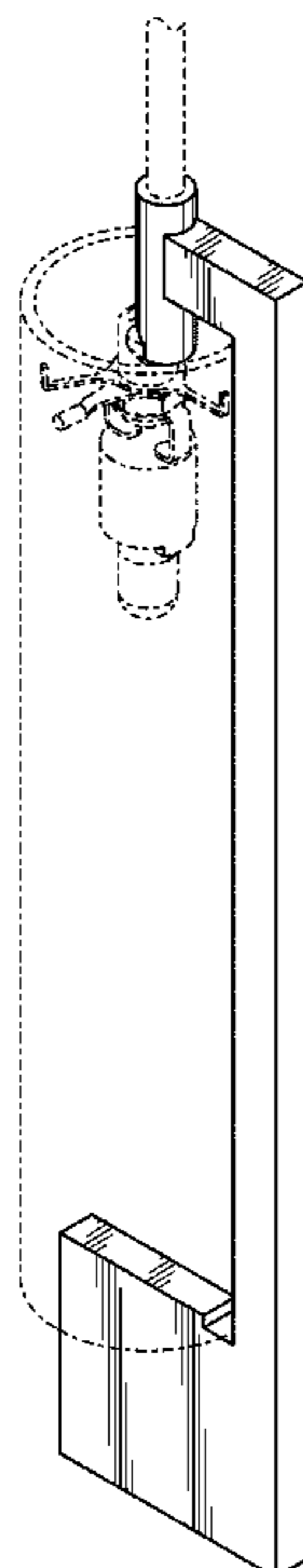
Primary Examiner — Kevin Rudzinski
(74) *Attorney, Agent, or Firm* — Bourque and Associates, PA

(57) **CLAIM**
The ornamental design for a lamp, as shown and described.

DESCRIPTION

FIG. 1 is a perspective view of the lamp according to the present invention;
FIG. 2 is a front view of the lamp thereof;
FIG. 3 is a back view of the lamp thereof;
FIG. 4 is a left view of the lamp thereof;
FIG. 5 is a right view of the lamp thereof;
FIG. 6 is a top view of the lamp thereof; and,
FIG. 7 is a bottom view of the lamp thereof.
The broken lines shown in the drawings illustrating unclaimed environmental structures form no part of the claimed design.

1 Claim, 6 Drawing Sheets



US D652,567 S

Page 2

U.S. PATENT DOCUMENTS

| | | | | | | | |
|--------------|---------|---------------------|---------|-------------------|---------|----------------------|---------|
| D564,127 S * | 3/2008 | Pandorf et al. | D26/118 | D603,544 S * | 11/2009 | Jensen et al. | D26/63 |
| D570,522 S * | 6/2008 | Chandler | D26/85 | D604,001 S * | 11/2009 | Thun | D26/76 |
| D570,524 S * | 6/2008 | Chandler | D26/87 | D606,701 S * | 12/2009 | Chandler | D26/87 |
| D571,943 S * | 6/2008 | Tragatschnig | D26/61 | D608,489 S * | 1/2010 | Chandler | D26/87 |
| D580,586 S * | 11/2008 | Zhou et al. | D26/92 | D609,852 S * | 2/2010 | Stoepker et al. | D26/107 |
| D583,979 S * | 12/2008 | Sabernig | D26/87 | D619,299 S * | 7/2010 | Zheng | D26/138 |
| D589,641 S * | 3/2009 | Sabernig | D26/93 | D620,166 S * | 7/2010 | Sabernig | D26/63 |
| D592,787 S * | 5/2009 | Chandler | D26/81 | D634,887 S * | 3/2011 | Kitts | D26/143 |
| D603,078 S * | 10/2009 | Noh | D26/76 | 2006/0098444 A1 * | 5/2006 | Petruzzi | 362/404 |

* cited by examiner

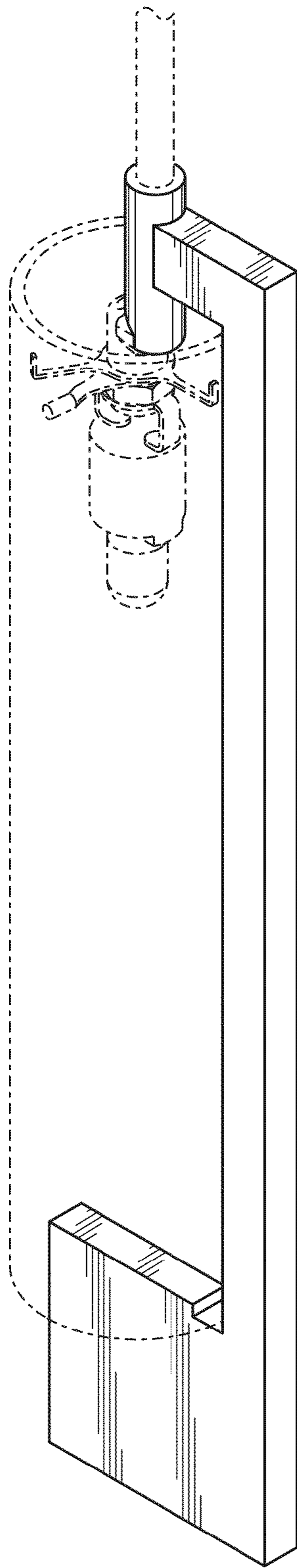


FIG. 1

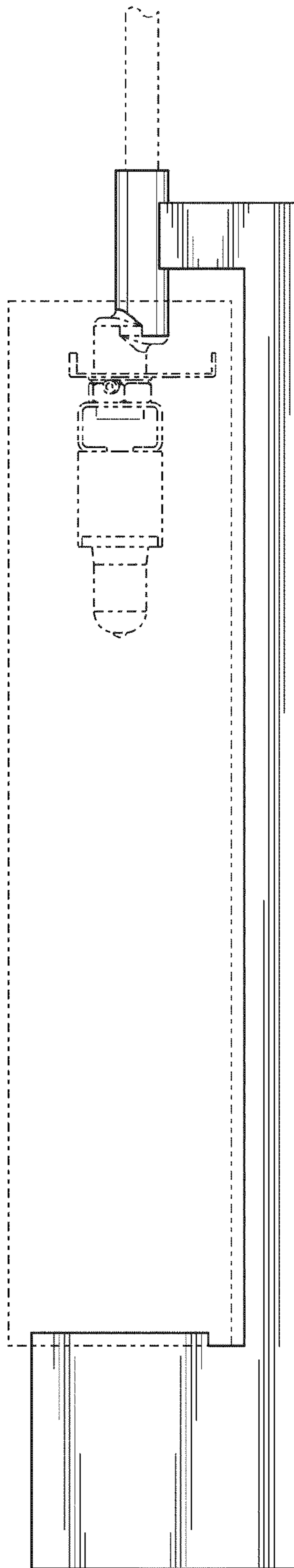


FIG. 2

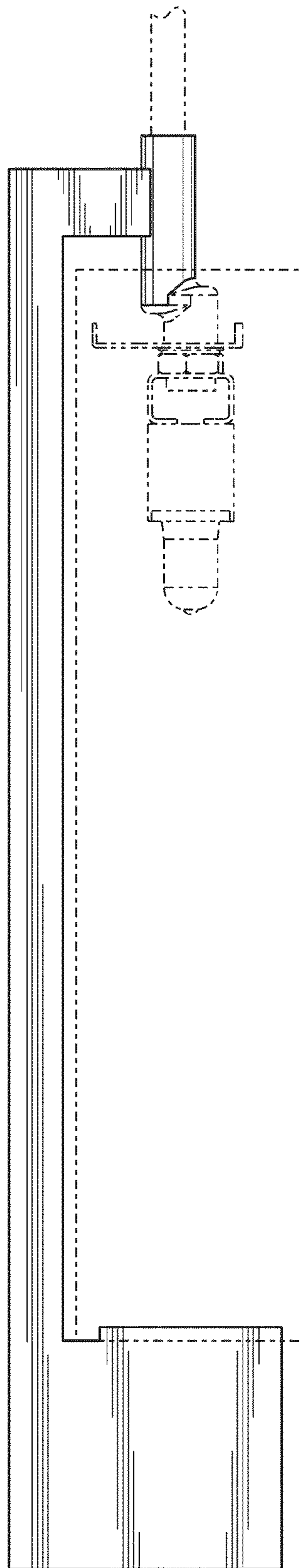


FIG. 3

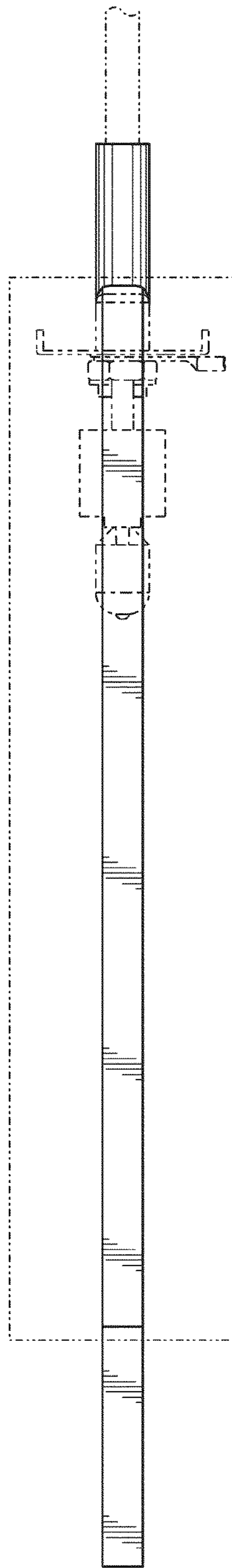


FIG. 4

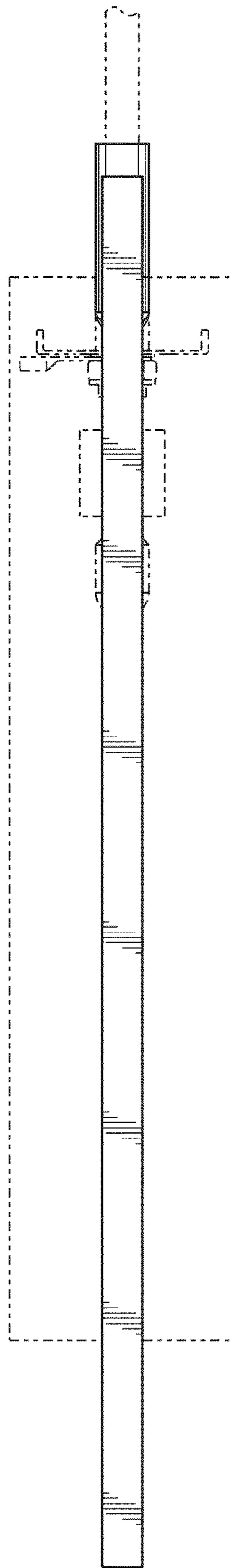


FIG. 5

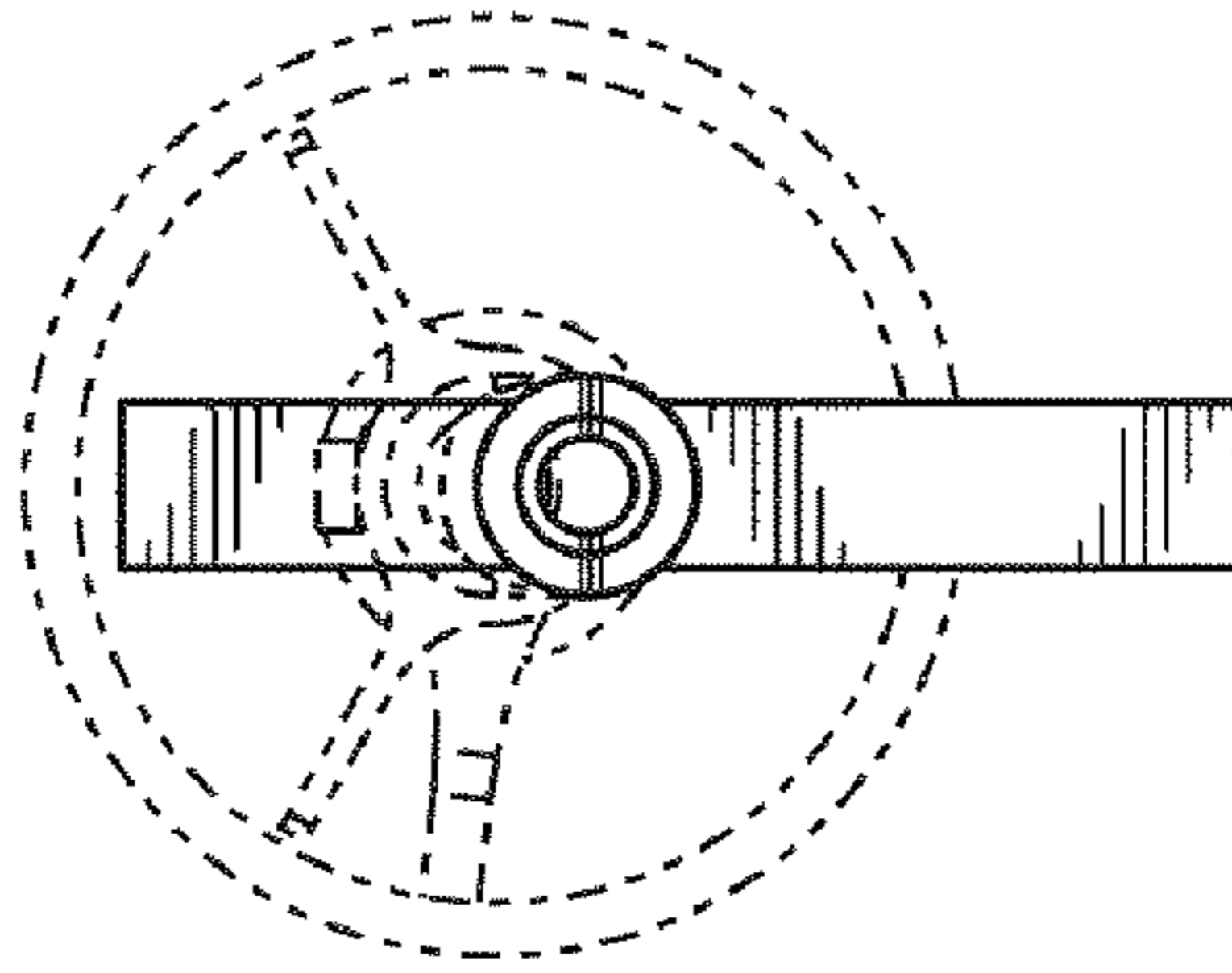


FIG. 6

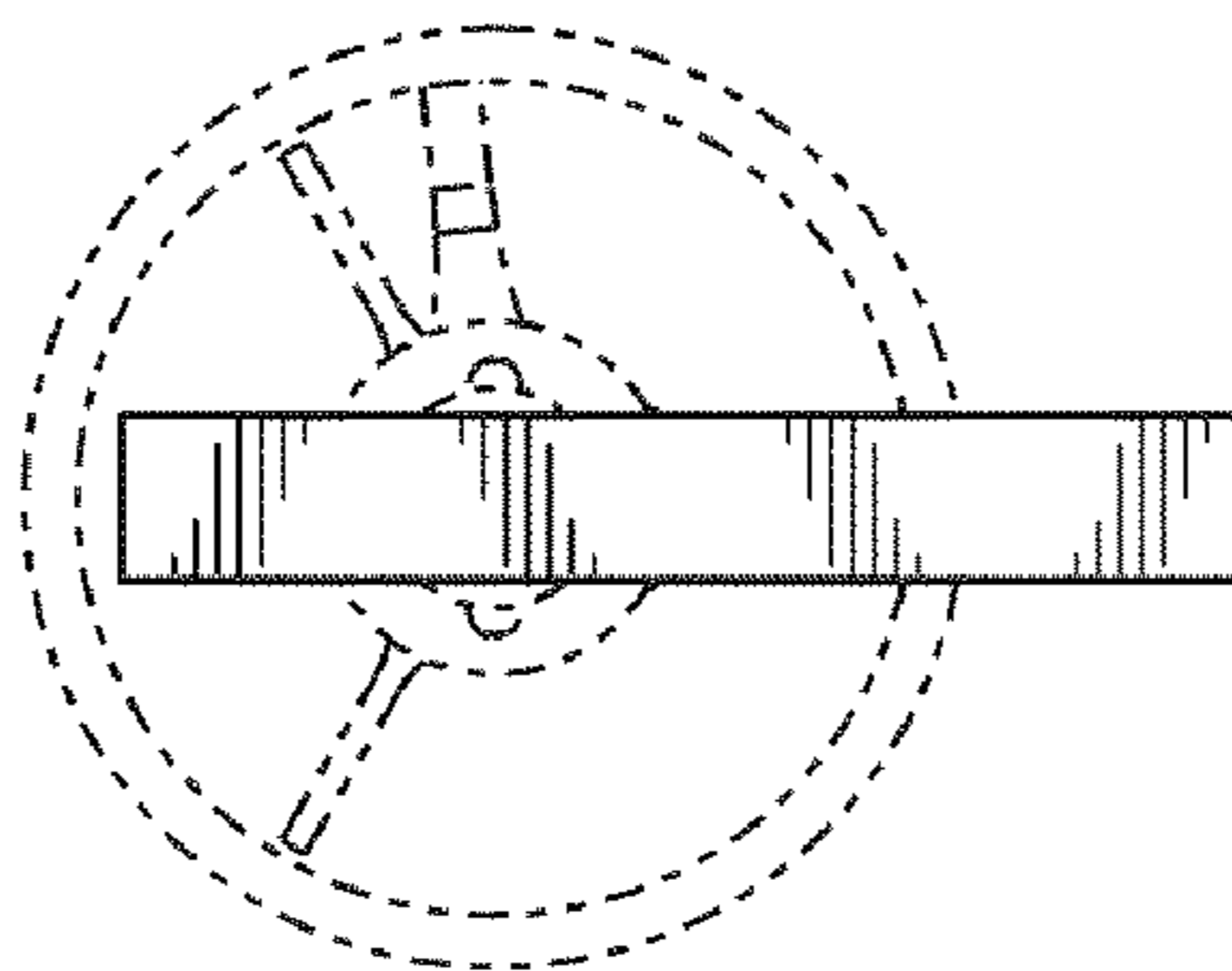


FIG. 7