



US00D652565S

(12) **United States Design Patent**
McKenna et al.

(10) **Patent No.:** **US D652,565 S**
(45) **Date of Patent:** **** Jan. 17, 2012**

(54) **LAMP HEAD**

(75) Inventors: **Mark McKenna**, New York, NY (US);
Aaron Tsui, New York, NY (US)

(73) Assignee: **Humanscale Corporation**, New York,
NY (US)

(**) Term: **14 Years**

(21) Appl. No.: **29/390,528**

(22) Filed: **Apr. 26, 2011**

(51) **LOC (9) Cl.** **26-99**

(52) **U.S. Cl.** **D26/118**

(58) **Field of Classification Search** D26/81,
D26/85, 86, 68, 76, 72, 118, 120, 138, 155,
D26/113, 121, 122, 124, 128, 130, 142, 84,
D26/3, 80, 24, 2, 65, 63, 60, 62, 70, 71, 87,
D26/74, 137, 61, 152, 153, 154, 141, 145,
D26/82, 83, 93, 134; 362/407, 368, 92, 555,
362/545, 413, 367, 102, 147, 365, 366, 364,
362/371, 327, 405; 165/80.3, 104.33, 104.21;
D13/178, 180, 133, 146, 136, 134; 248/303;
D8/370, 367, 354; D25/126, 38; D6/549,
D6/524; 439/232, 241, 236, 242

See application file for complete search history.

(56) **References Cited**

U.S. PATENT DOCUMENTS

D68,602 S * 10/1925 Spencer D26/128
D284,108 S * 6/1986 Bonetto D26/65
D312,887 S * 12/1990 Magistretti D26/65
D326,535 S * 5/1992 Hsia D26/65

(Continued)

Primary Examiner — Kevin Rudzinski

(74) *Attorney, Agent, or Firm* — Jones, Walker, Waechter,
Poitevent, Carrere & Denegre, LLP

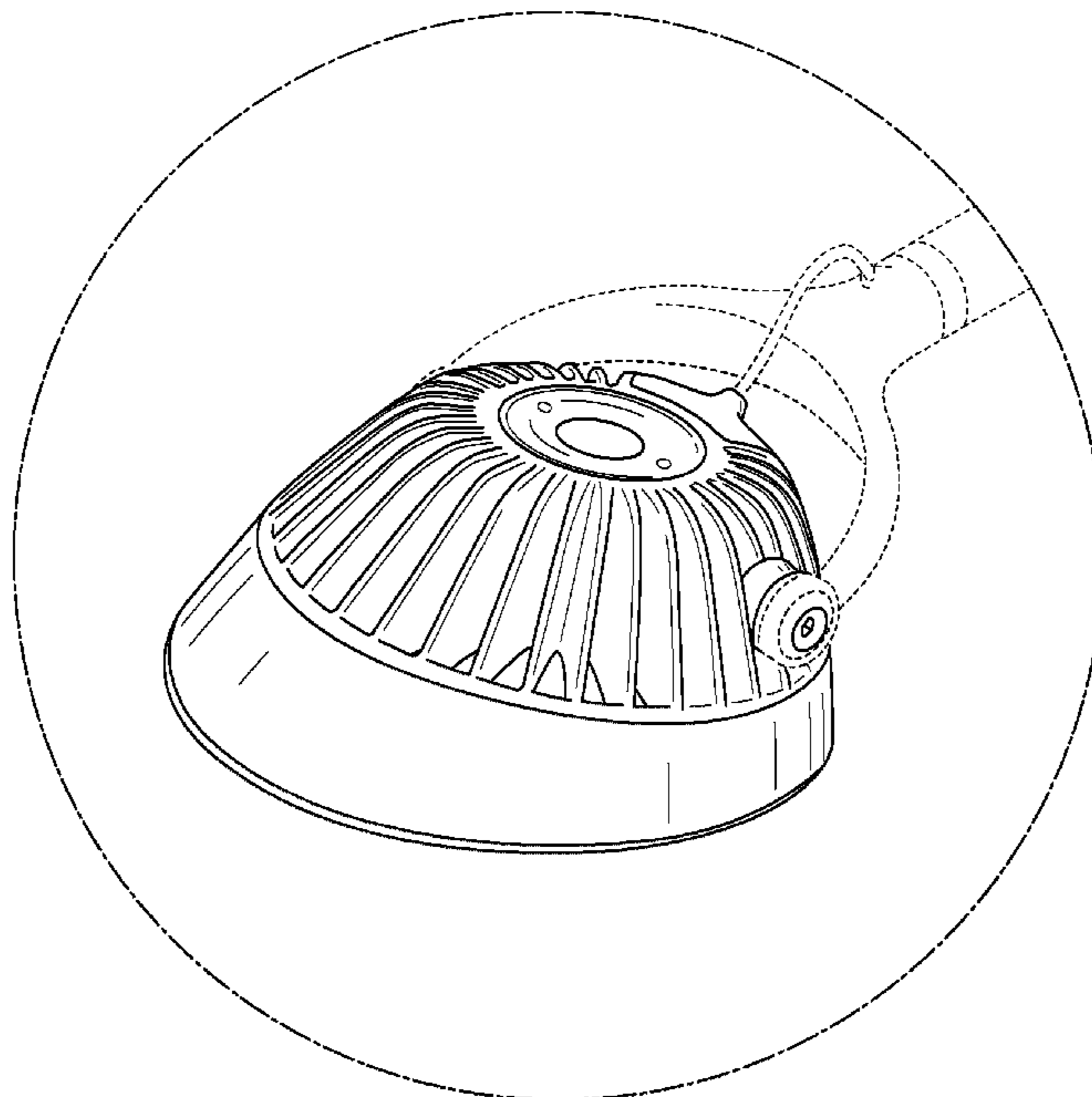
(57) **CLAIM**

We claim the ornamental design for a lamp head, as shown
and described.

DESCRIPTION

FIG. 1 is a top perspective view of the lamp head embodying
the present invention;
FIG. 2 is a right side view of the lamp head of FIG. 1;
FIG. 3 is a left side view of the lamp head of FIG. 1;
FIG. 4 is a top view of the lamp head of FIG. 1;
FIG. 5 is a bottom view of the lamp head of FIG. 1;
FIG. 6 is a rear view of the lamp head of FIG. 1;
FIG. 7 is a front view of the lamp head of FIG. 1;
FIG. 8 is a top perspective view of the lamp head taken from
the dash-dot circular line in FIG. 1;
FIG. 9 is a right side view of the lamp head taken from the
dash-dot circular line in FIG. 2;
FIG. 10 is a left side view of the lamp head taken from the
dash-dot circular line in FIG. 3;
FIG. 11 is a top view of the lamp head taken from the dash-dot
circular line in FIG. 4;
FIG. 12 is a bottom view of the lamp head taken from the
dash-dot circular line in FIG. 5;
FIG. 13 is a rear view of the lamp head taken from the
dash-dot circular line in FIG. 6; and,
FIG. 14 is a front view of the lamp head taken from the
dash-dot circular line in FIG. 7.
The broken line illustration of a lamp arm shown in the
drawings illustrates environmental structure and forms no
part of the claimed design.

1 Claim, 12 Drawing Sheets



US D652,565 S

Page 2

U.S. PATENT DOCUMENTS

D329,916 S *	9/1992	Copeland	D26/63	D580,085 S *	11/2008	Svensson	D26/71
D337,841 S *	7/1993	Lu	D26/65	D591,888 S *	5/2009	Gill	D26/71
D368,787 S *	4/1996	Yuen	D26/63	D591,889 S *	5/2009	Gill	D26/71
D377,399 S *	1/1997	Kay	D26/68	D591,891 S *	5/2009	Gill	D26/71
D411,639 S *	6/1999	Yang	D26/63	D592,345 S *	5/2009	Gill	D26/71
D522,161 S *	5/2006	Copeland	D26/65	D592,346 S *	5/2009	Gill	D26/71
D563,018 S *	2/2008	Nankil et al.	D26/70				

* cited by examiner

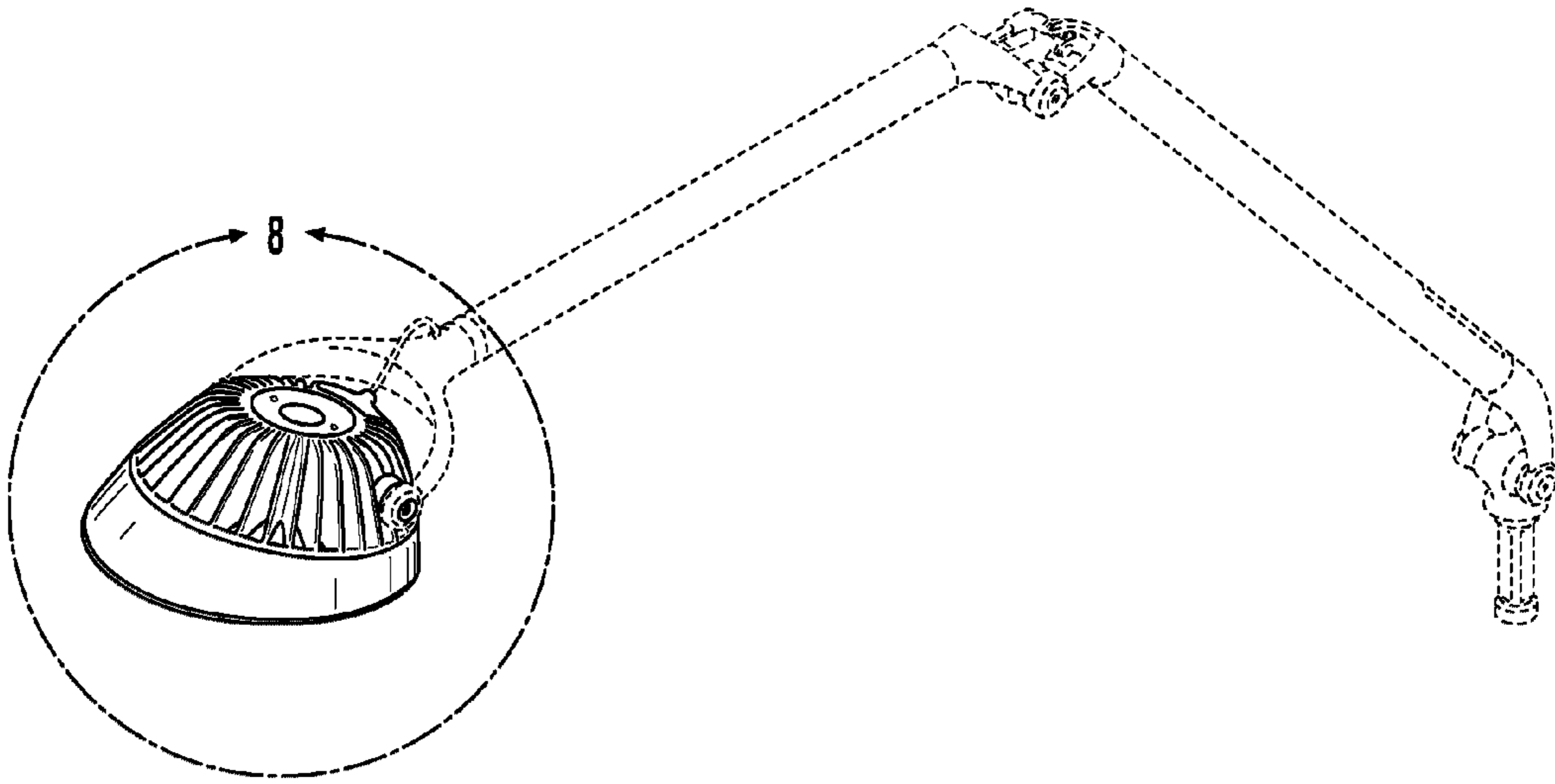


FIG. 1

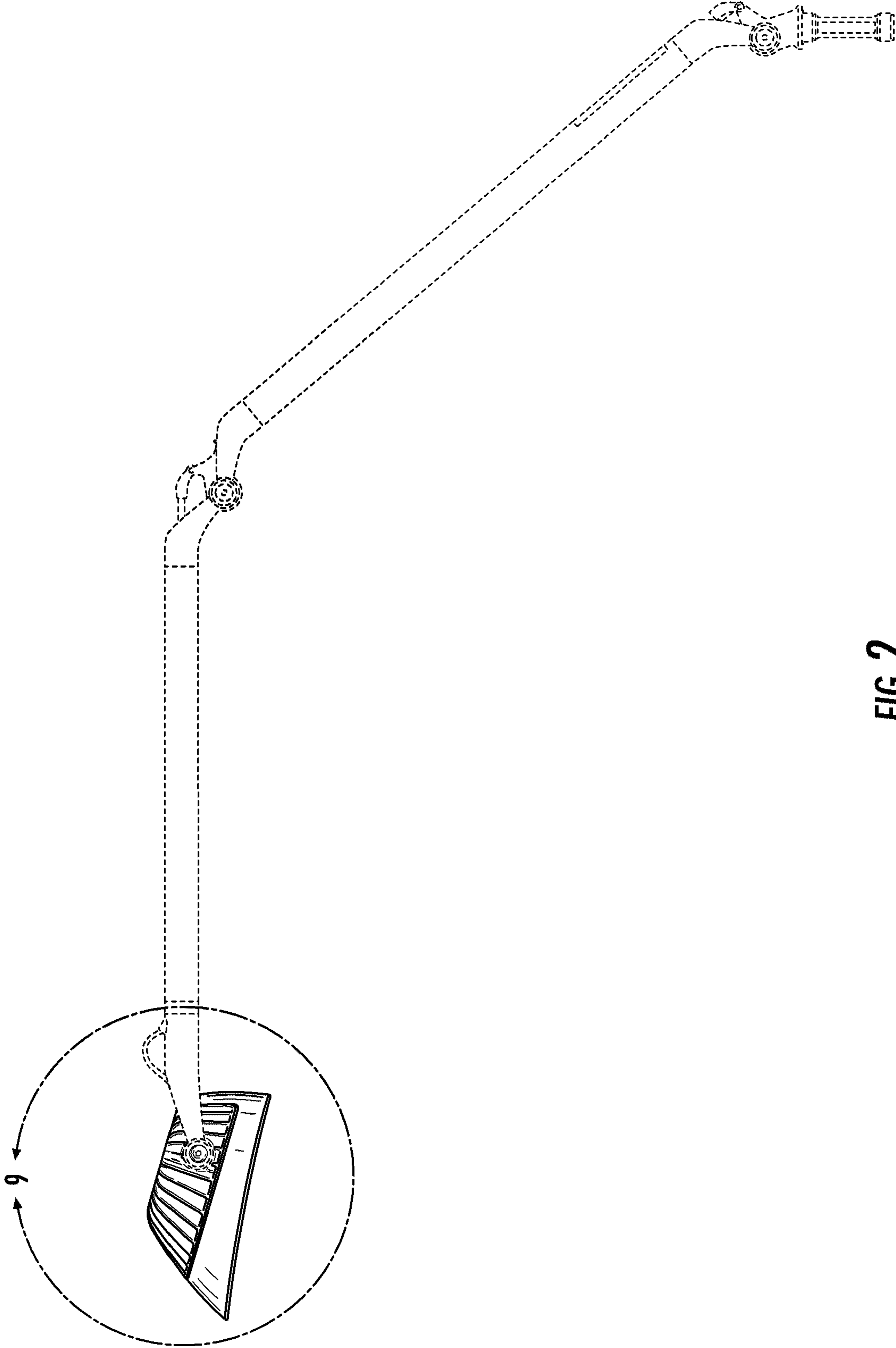


FIG. 2

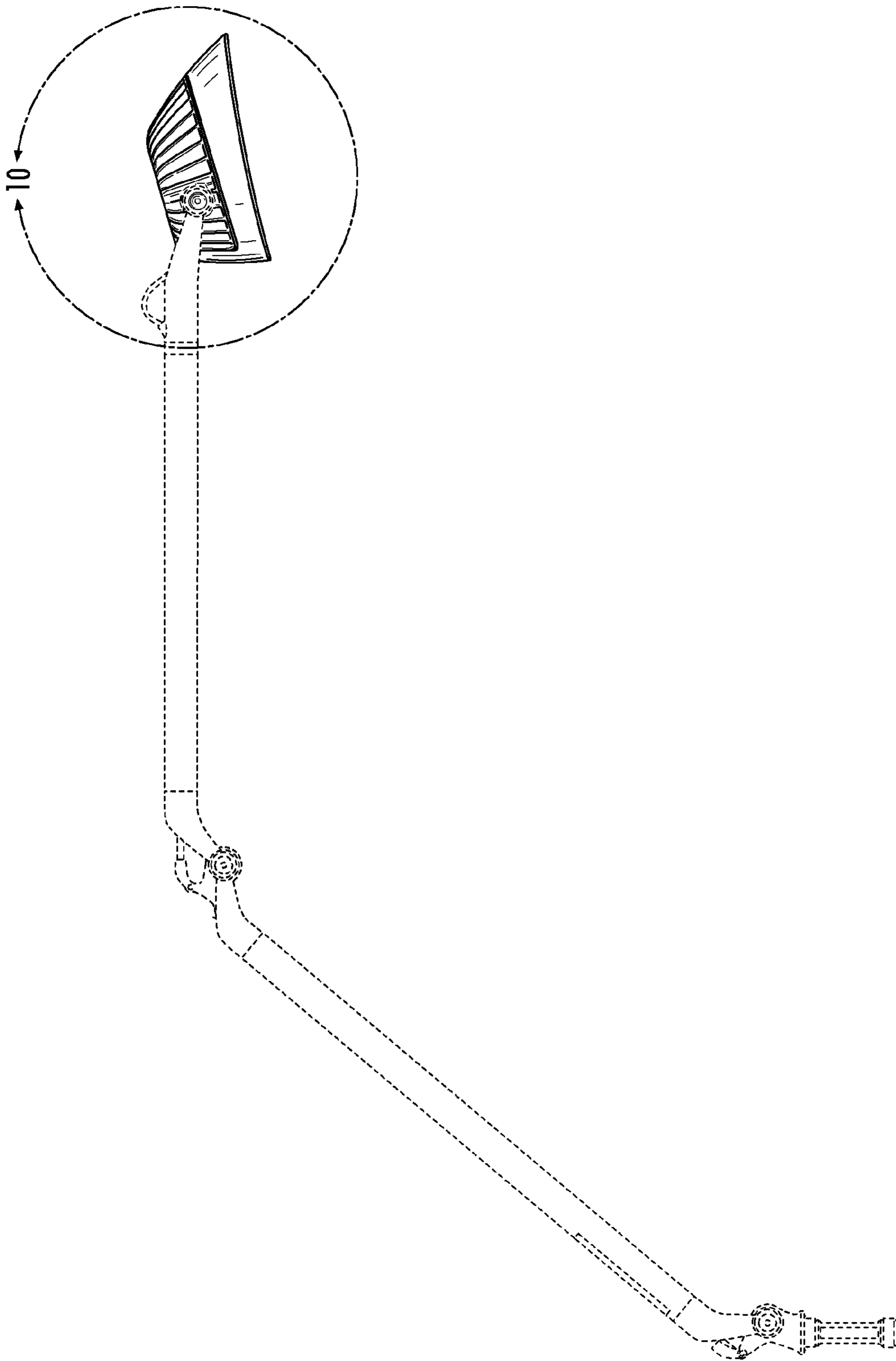
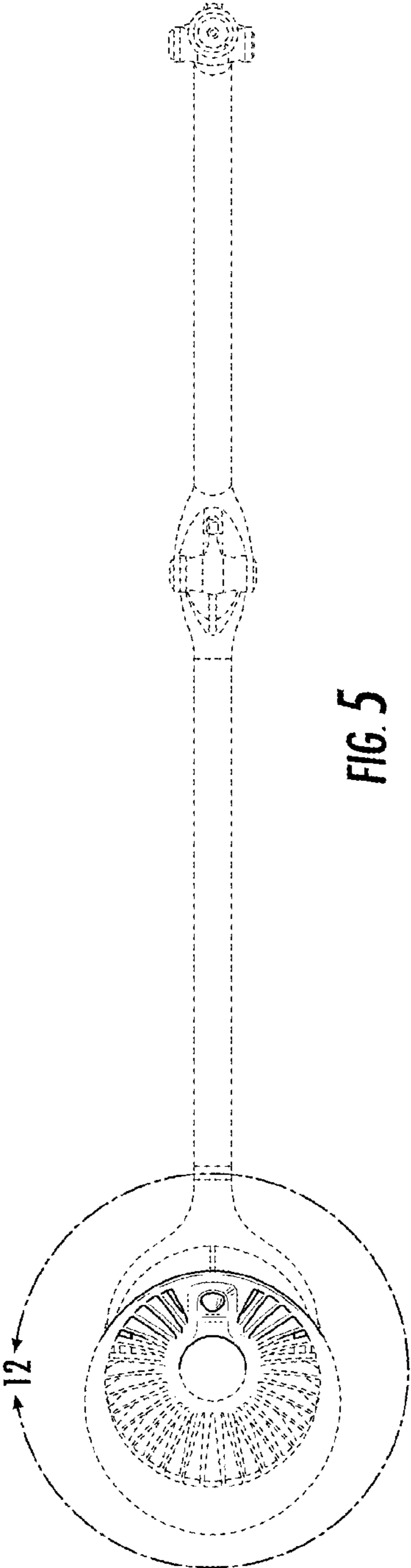
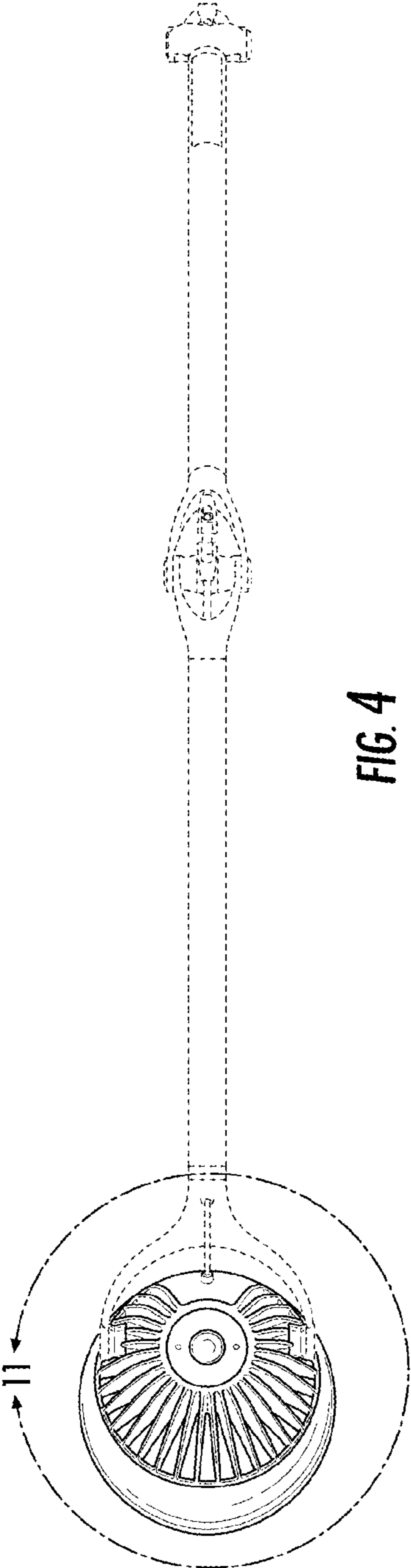


FIG. 3



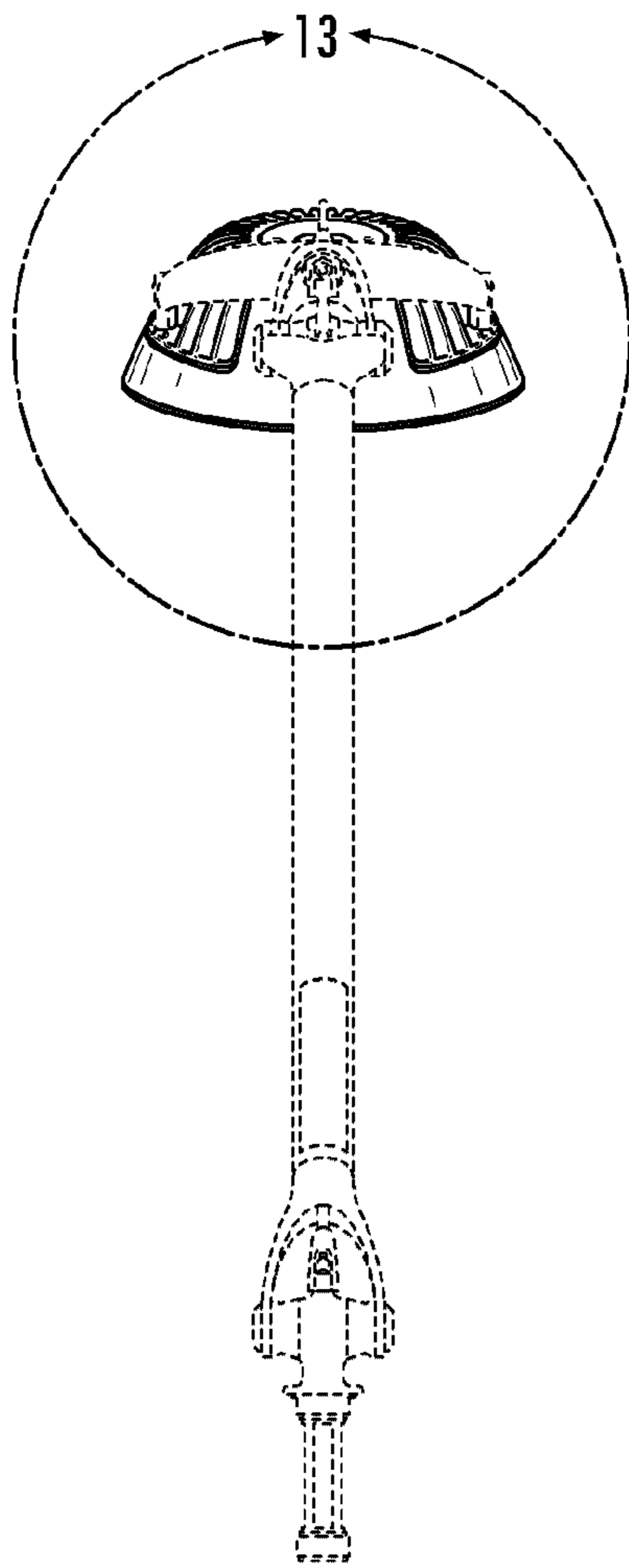


FIG. 6

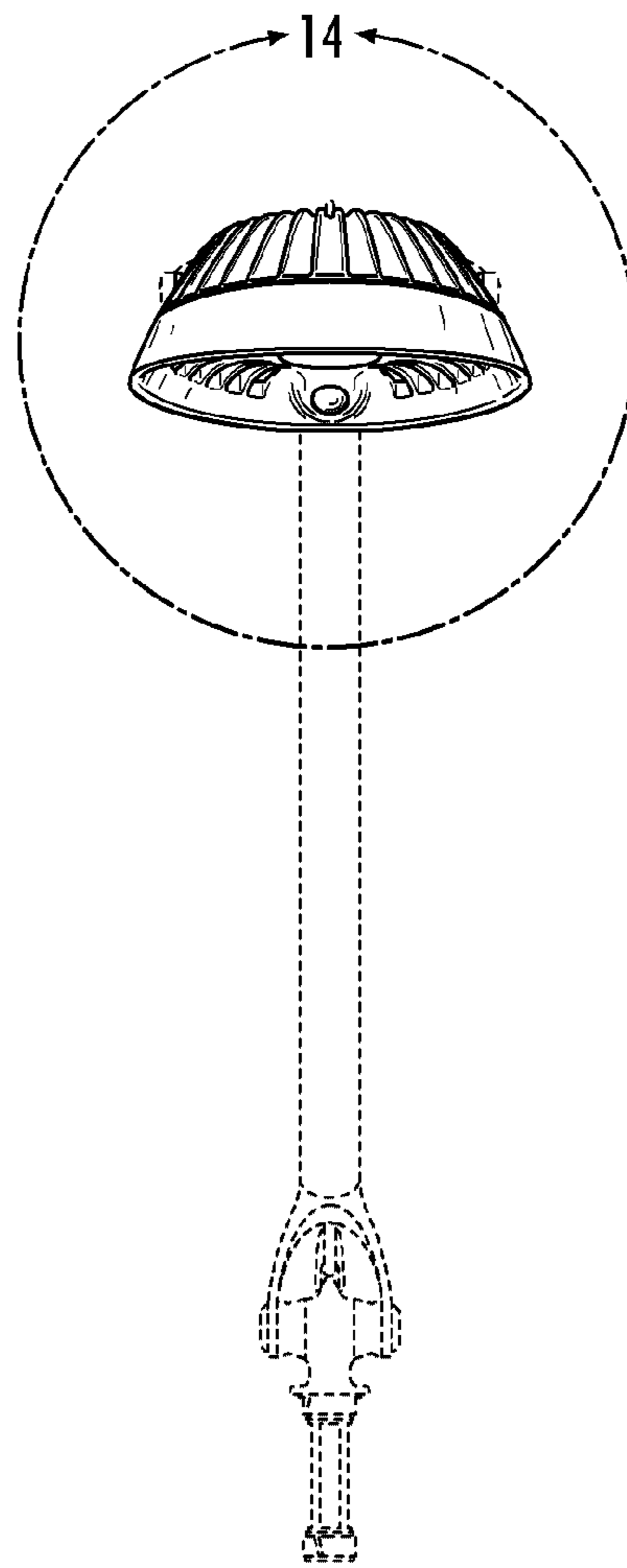


FIG. 7

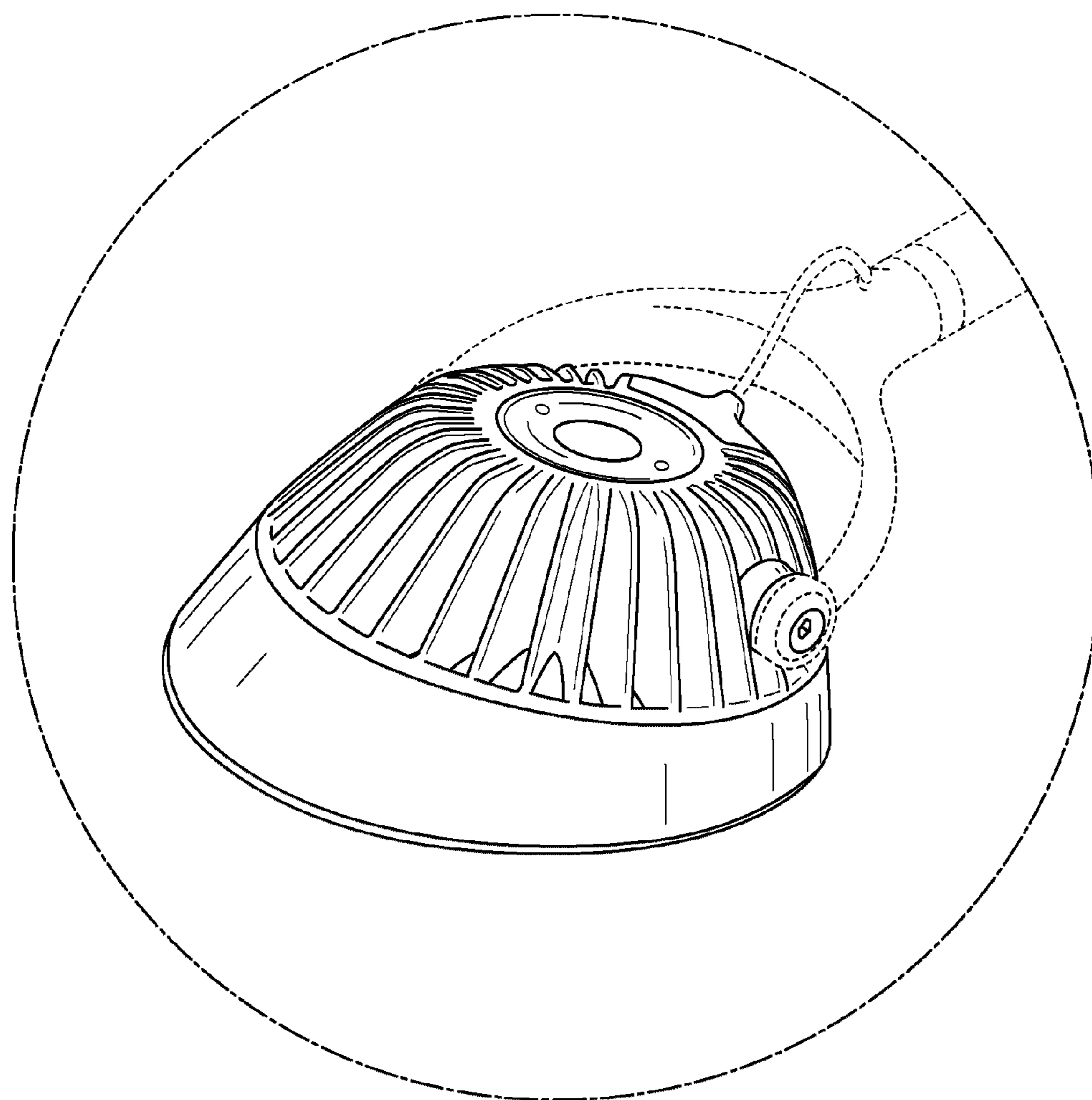


FIG. 8

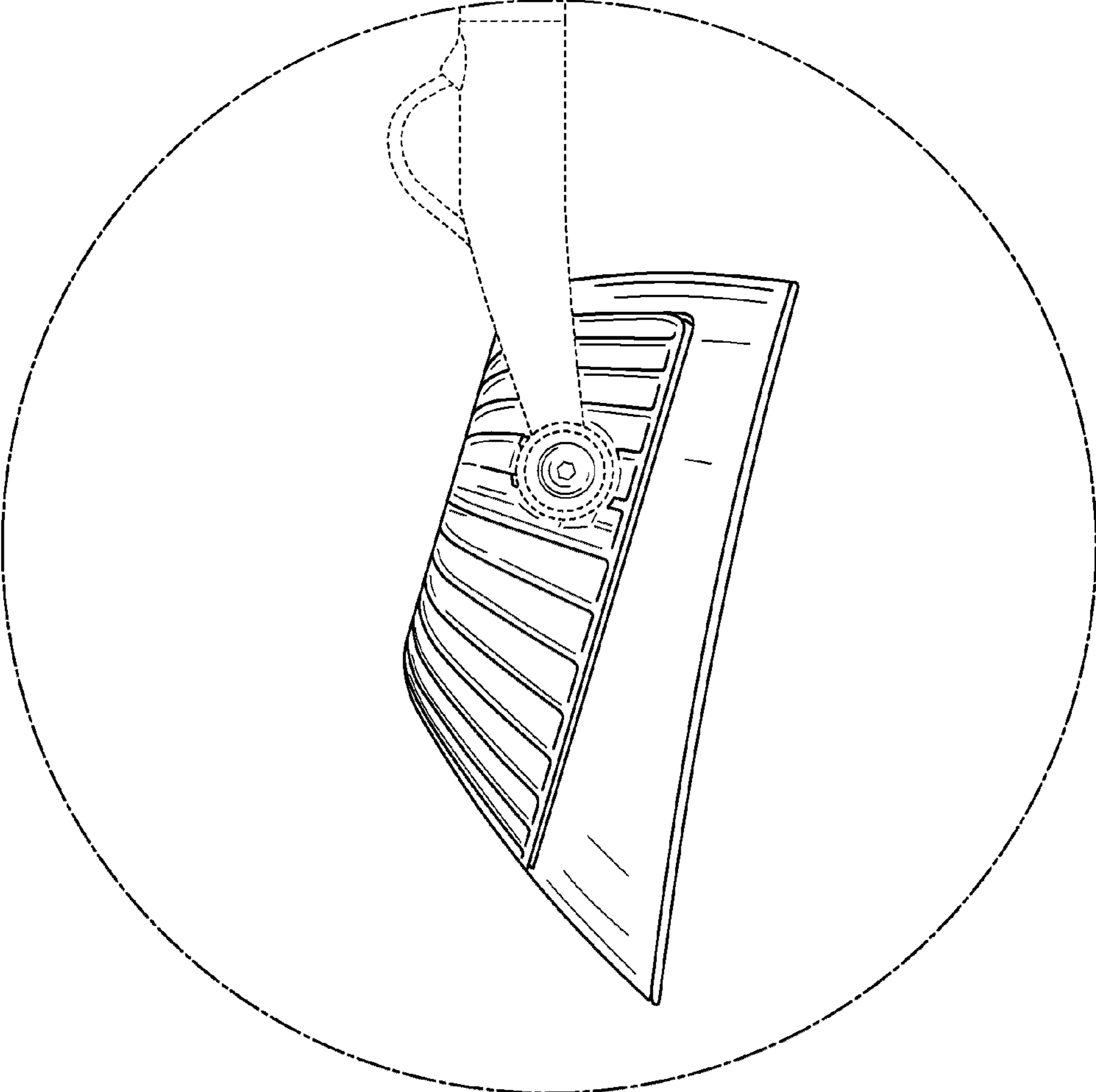


FIG. 9

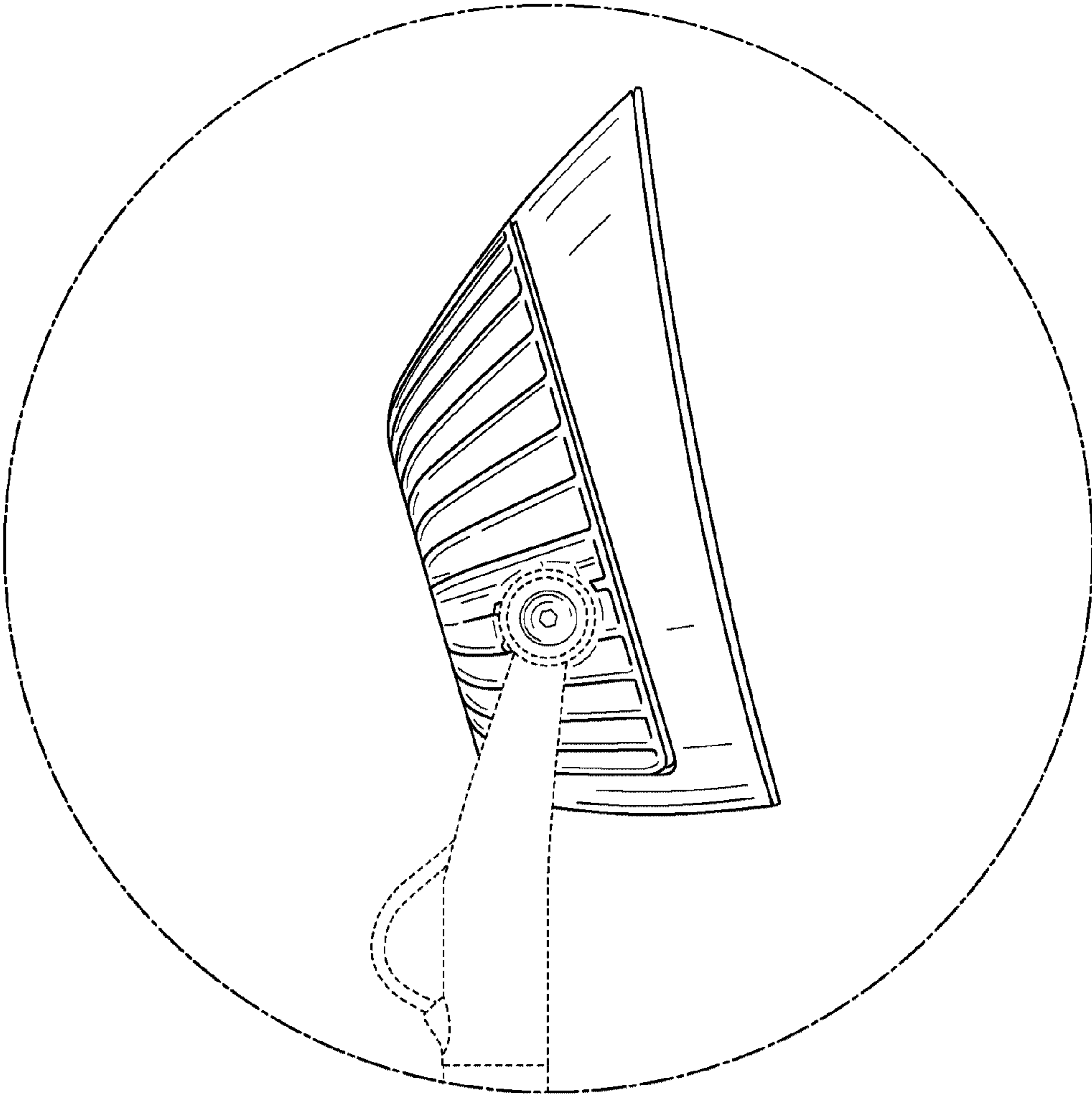


FIG. 10

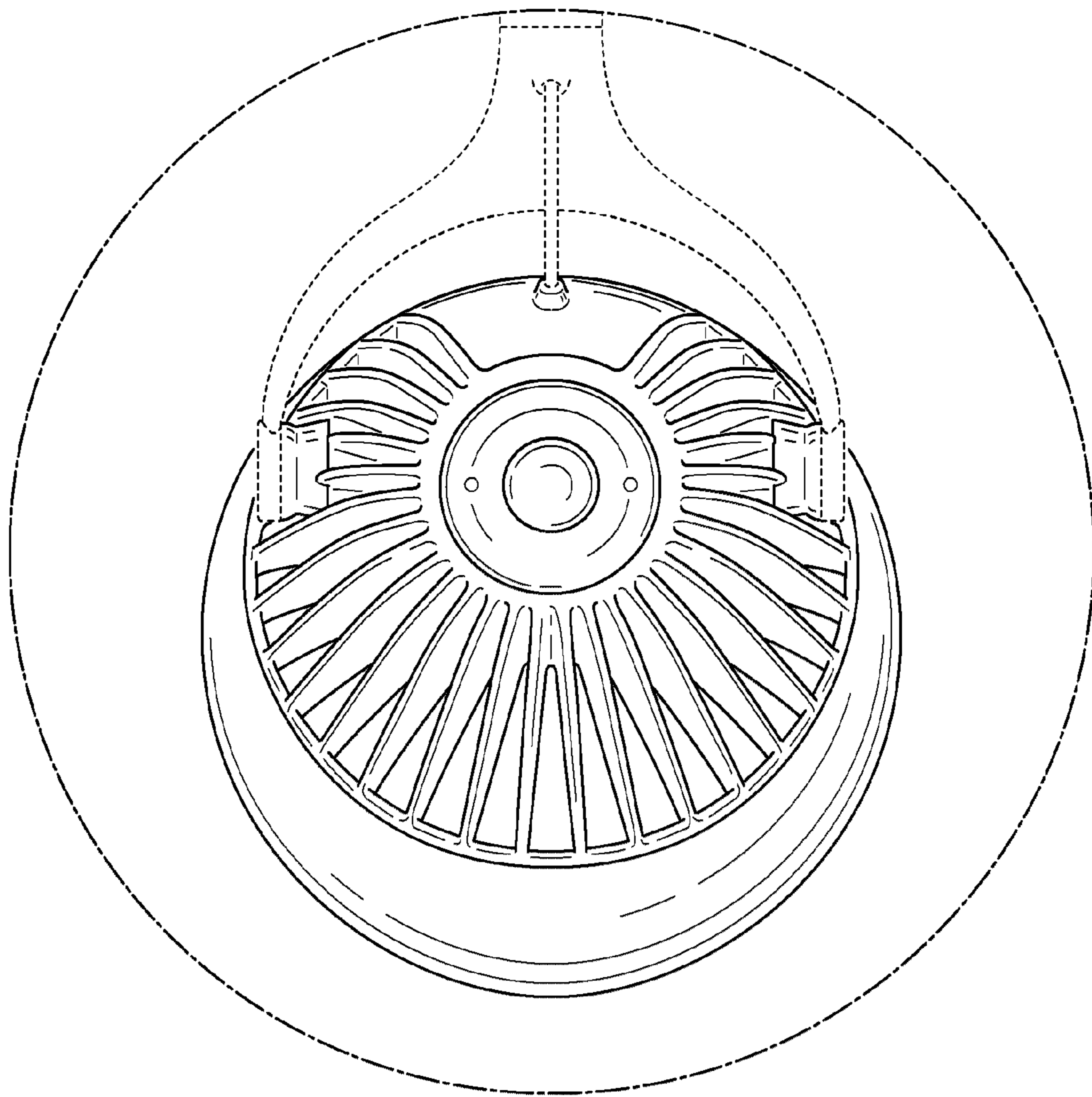


FIG. 11

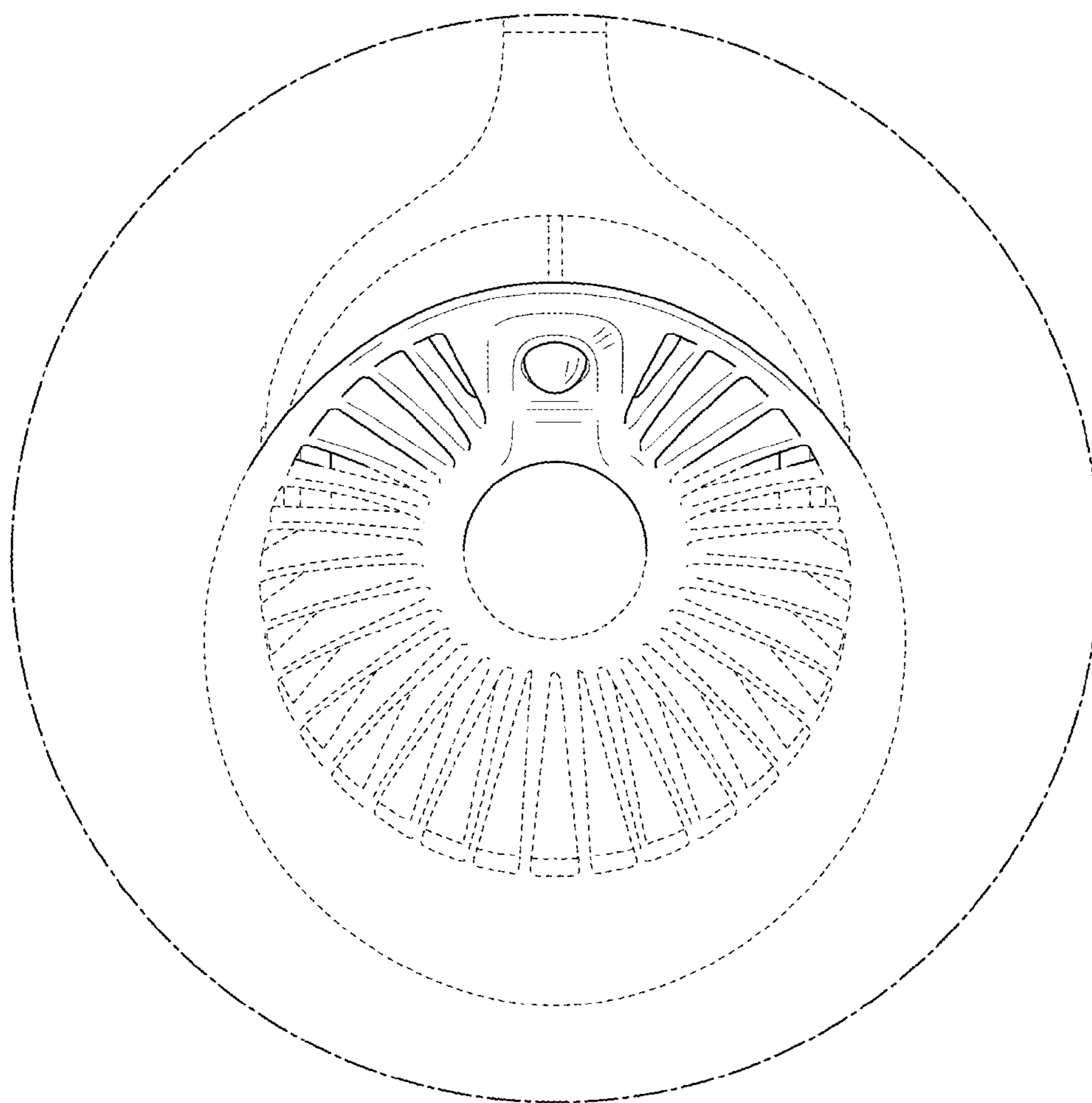


FIG. 12

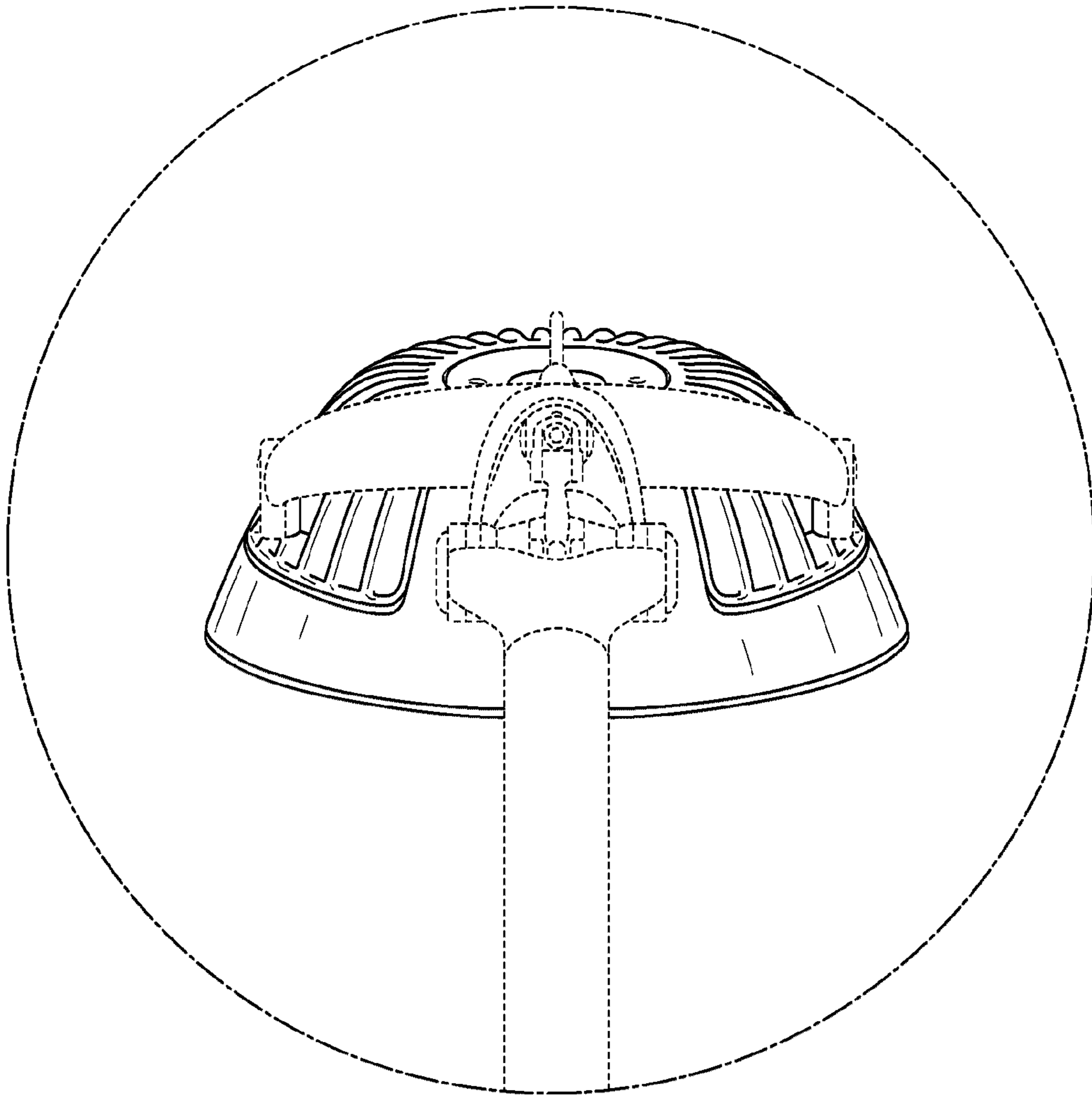


FIG. 13

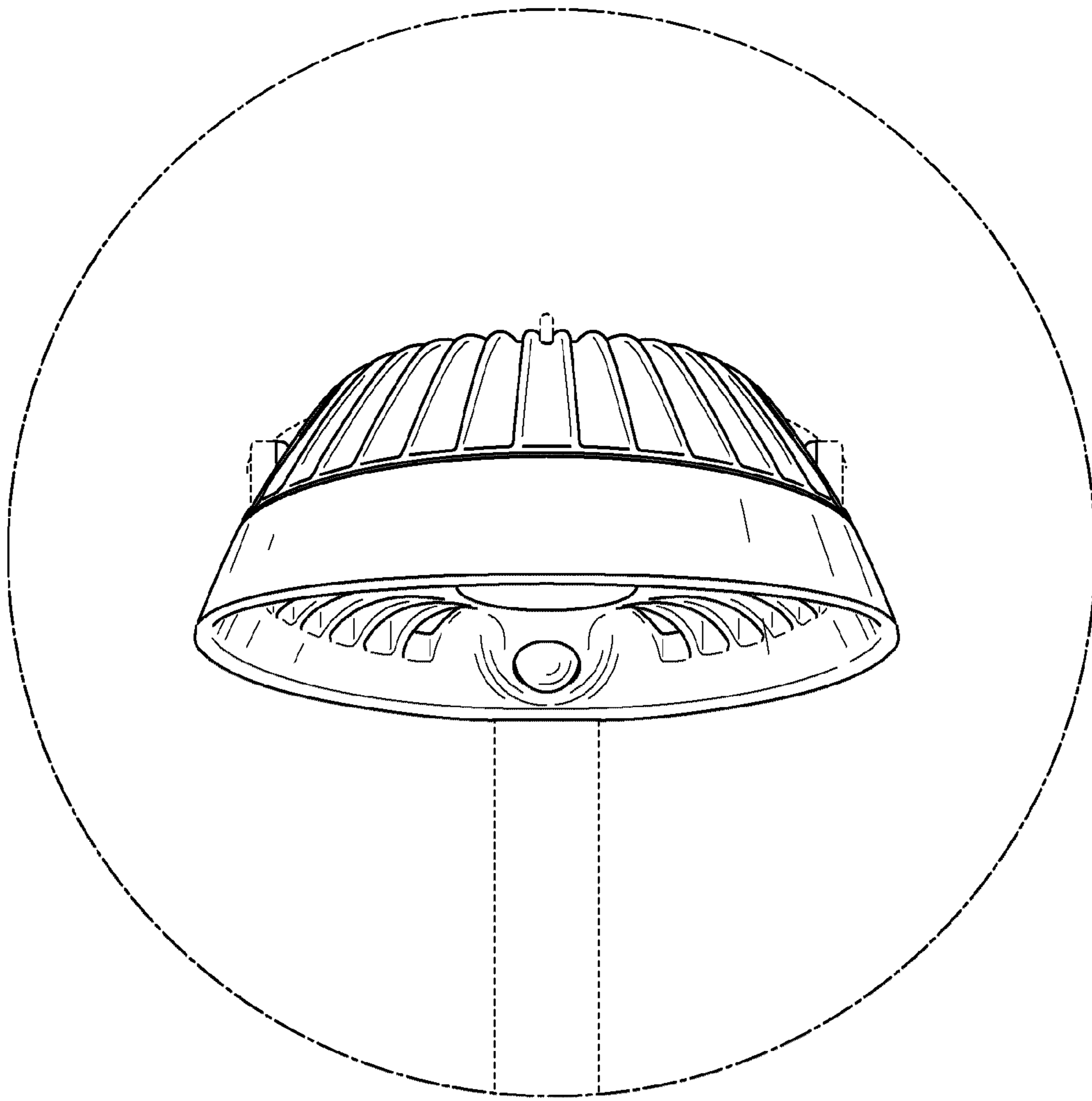


FIG. 14