



US00D652564S

(12) **United States Design Patent**
Maxik

(10) **Patent No.:** **US D652,564 S**
(45) **Date of Patent:** **** Jan. 17, 2012**

(54) **LUMINAIRE**

FOREIGN PATENT DOCUMENTS

(75) Inventor: **Fredric S. Maxik**, Indialantic, FL (US)

WO 2006118457 11/2006
(Continued)

(73) Assignee: **Lighting Science Group Corporation**,
Westampton, NJ (US)

OTHER PUBLICATIONS

(**) Term: **14 Years**

SP-E27 LB60 Nicha / Cree LED Lamp, posted Dec. 18, 2008, http://www.diytrade.com/china/4/products/4950147/SP-E27_LB60_Nicha_Cree_LED_Lamp.html, accessed Jun. 30, 2009.

(21) Appl. No.: **29/340,670**

Primary Examiner — Kevin Rudzinski

(22) Filed: **Jul. 23, 2009**

(74) *Attorney, Agent, or Firm* — Cantor Colburn LLP

(51) **LOC (9) Cl.** **26-99**

(52) **U.S. Cl.** **D26/118**

(58) **Field of Classification Search** D26/125,
D26/49, 46, 37, 118, 71, 92, 85, 87, 128,
D26/63, 65, 88, 76, 120, 113, 119, 138, 2,
D26/67, 72, 93, 123, 129, 130, 24, 107, 108,
D26/62, 109, 51, 127, 122, 131, 140, 141,
D26/142, 143, 144, 145, 58, 60, 68; 362/101,
362/34, 346, 223, 294, 549, 109, 190, 192,
362/249.01–249.11, 98, 99, 16, 17, 18, 19;
D13/179, 180; D23/411; 424/401, 402,
424/403, 404, 405; D8/353; 248/158, 122.1;
D25/124; D16/135, 131, 244, 136; D15/90;
359/801, 802, 807, 812; 119/245, 246, 247,
119/253, 256, 266

See application file for complete search history.

(56) **References Cited**

U.S. PATENT DOCUMENTS

4,375,607 A 3/1983 Morton et al.
4,392,076 A 7/1983 Ishler et al.
D271,424 S 11/1983 Young et al.
D307,805 S 5/1990 Noe

(Continued)

(57) **CLAIM**

I claim, the ornamental design for a luminaire, as shown and described.

DESCRIPTION

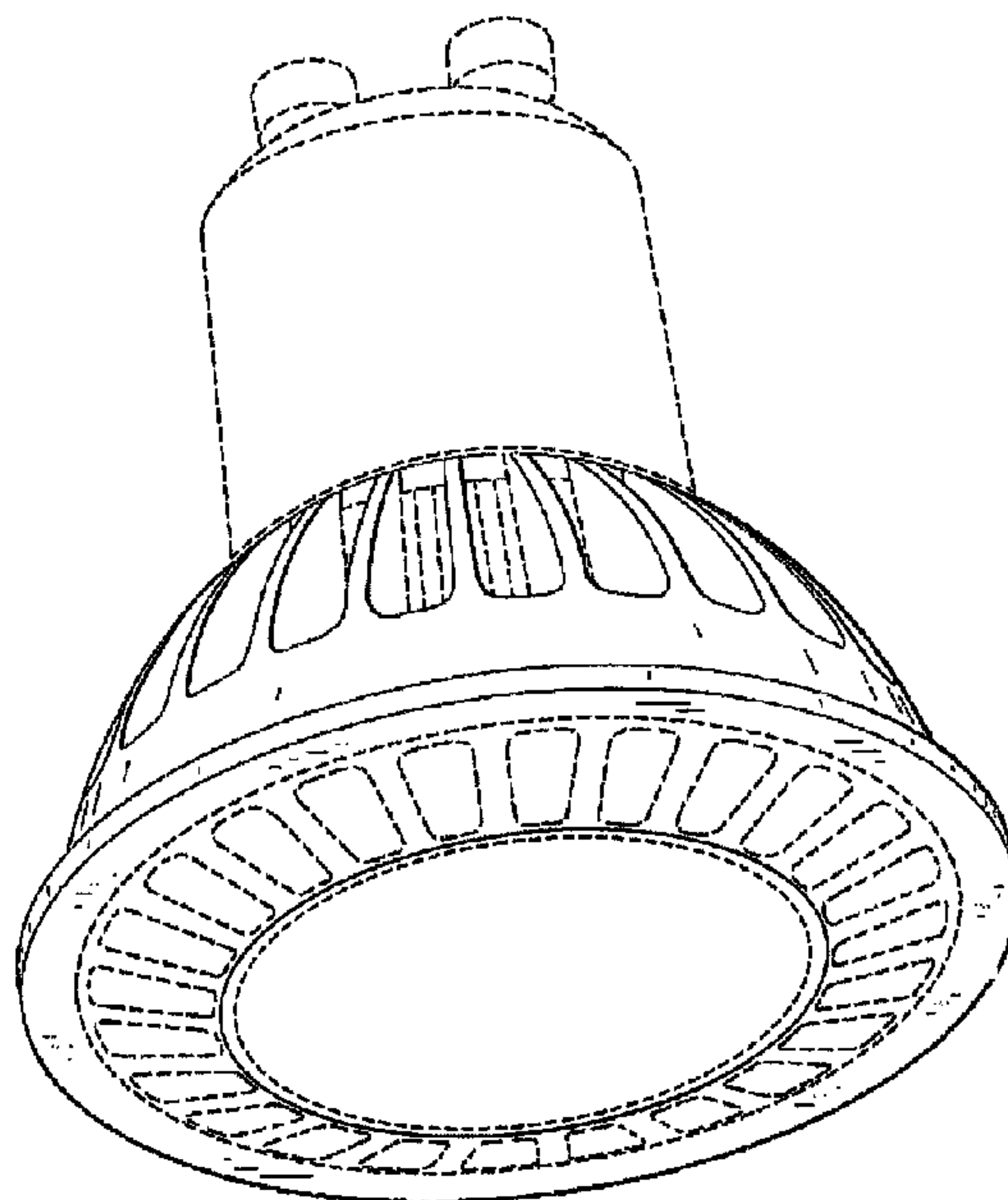
FIG. 1 is a first side elevation view of the invention;
FIG. 2 is a second side elevation view of the embodiment of FIG. 1;
FIG. 3 is a bottom plan view of the embodiment of FIG. 1;
FIG. 4 is a top plan view of the embodiment of FIG. 1;
FIG. 5 is a top perspective view of the embodiment of FIG. 1;
and,
FIG. 6 is a bottom perspective view of the embodiment of FIG. 1.

The degree of transparency or opaqueness of the lens of the luminaire forms no part of the claimed design.

The phantom lines shown in FIG. 1-FIG. 6 are environmental and not part of the claimed design.

References to “side”, “top”, “front” and “bottom” in the figure descriptions are not meant to require certain in-use orientation; a luminaire according to the claimed design may be used in any orientation.

1 Claim, 6 Drawing Sheets



US D652,564 S

Page 2

U.S. PATENT DOCUMENTS

D321,260 S * 10/1991 Bowman D26/2
 5,458,505 A 10/1995 Prager
 D391,006 S 2/1998 Yang
 5,791,769 A 8/1998 Yang
 D470,610 S * 2/2003 Bobel D26/2
 6,515,433 B1 2/2003 Ge et al.
 D480,486 S 10/2003 Kakuno et al.
 6,655,823 B2 12/2003 Chang
 6,786,625 B2 9/2004 Wesson
 D497,439 S * 10/2004 Shaw et al. D26/2
 6,848,812 B1 2/2005 Hsieh
 D508,575 S 8/2005 Buschmann et al.
 D516,229 S * 2/2006 Tang D26/2
 D527,119 S 8/2006 Maxik et al.
 D528,227 S 9/2006 Chou et al.
 D528,673 S 9/2006 Maxik et al.
 D531,741 S 11/2006 Takahashi
 D534,665 S 1/2007 Egawa et al.
 D538,950 S 3/2007 Maxik
 D538,951 S 3/2007 Maxik et al.
 D538,952 S 3/2007 Maxik et al.
 D541,957 S 5/2007 Wang
 D545,457 S 6/2007 Chen
 7,226,189 B2 6/2007 Lee et al.
 D560,286 S 1/2008 Maxik et al.
 7,367,688 B1 5/2008 Bucher et al.
 D570,504 S 6/2008 Maxik et al.
 D570,505 S 6/2008 Maxik et al.
 D572,385 S 7/2008 Mazzochette et al.
 7,434,964 B1 10/2008 Zheng et al.
 D581,554 S 11/2008 To et al.
 D581,583 S * 11/2008 Peng D26/135
 7,448,772 B2 11/2008 Hampton
 D584,837 S 1/2009 Mazzochette et al.
 D586,497 S 2/2009 Wu et al.
 7,513,653 B1 4/2009 Liu et al.
 D593,222 S 5/2009 To et al.
 D594,143 S 6/2009 Montagnat et al.
 D594,995 S 6/2009 Komar

D595,893 S 7/2009 Maxik et al.
 D597,704 S 8/2009 Peng
 D600,850 S 9/2009 Maxik et al.
 D601,276 S * 9/2009 Grajcar D26/2
 D601,278 S 9/2009 Takahashi
 D607,586 S 1/2010 Ko
 D608,478 S 1/2010 Maxik et al.
 D610,271 S * 2/2010 Bi D26/2
 D610,722 S 2/2010 Bi
 D612,956 S 3/2010 Moon
 D613,433 S 4/2010 Moon
 7,717,590 B1 5/2010 Li
 D617,915 S 6/2010 Wada et al.
 D618,369 S 6/2010 Lee et al.
 D620,153 S * 7/2010 Wang et al. D26/2
 D623,777 S 9/2010 Moon et al.
 D623,778 S 9/2010 Moon et al.
 D623,779 S 9/2010 Wang et al.
 D624,214 S 9/2010 Thomas et al.
 D624,215 S * 9/2010 Moon et al. D26/2
 D624,669 S 9/2010 Tsai
 D625,437 S * 10/2010 Zhang et al. D26/2
 D626,260 S * 10/2010 Wei D26/2
 D626,667 S * 11/2010 Jonsson et al. D26/2
 D627,087 S * 11/2010 Jonsson et al. D26/2
 D628,322 S * 11/2010 Sakai et al. D26/2
 D629,930 S * 12/2010 Cotter et al. D26/2
 D634,037 S 3/2011 Jeong et al.
 2006/0215408 A1 * 9/2006 Lee 362/294
 2007/0285926 A1 12/2007 Maxik
 2008/0253125 A1 * 10/2008 Kang et al. 362/294
 2009/0141500 A1 * 6/2009 Peng 362/294
 2009/0296402 A1 12/2009 Chang et al.
 2010/0027270 A1 2/2010 Huang et al.
 2010/0091487 A1 4/2010 Shin

FOREIGN PATENT DOCUMENTS

WO 2008113837 A2 9/2008

* cited by examiner

FIG. 1

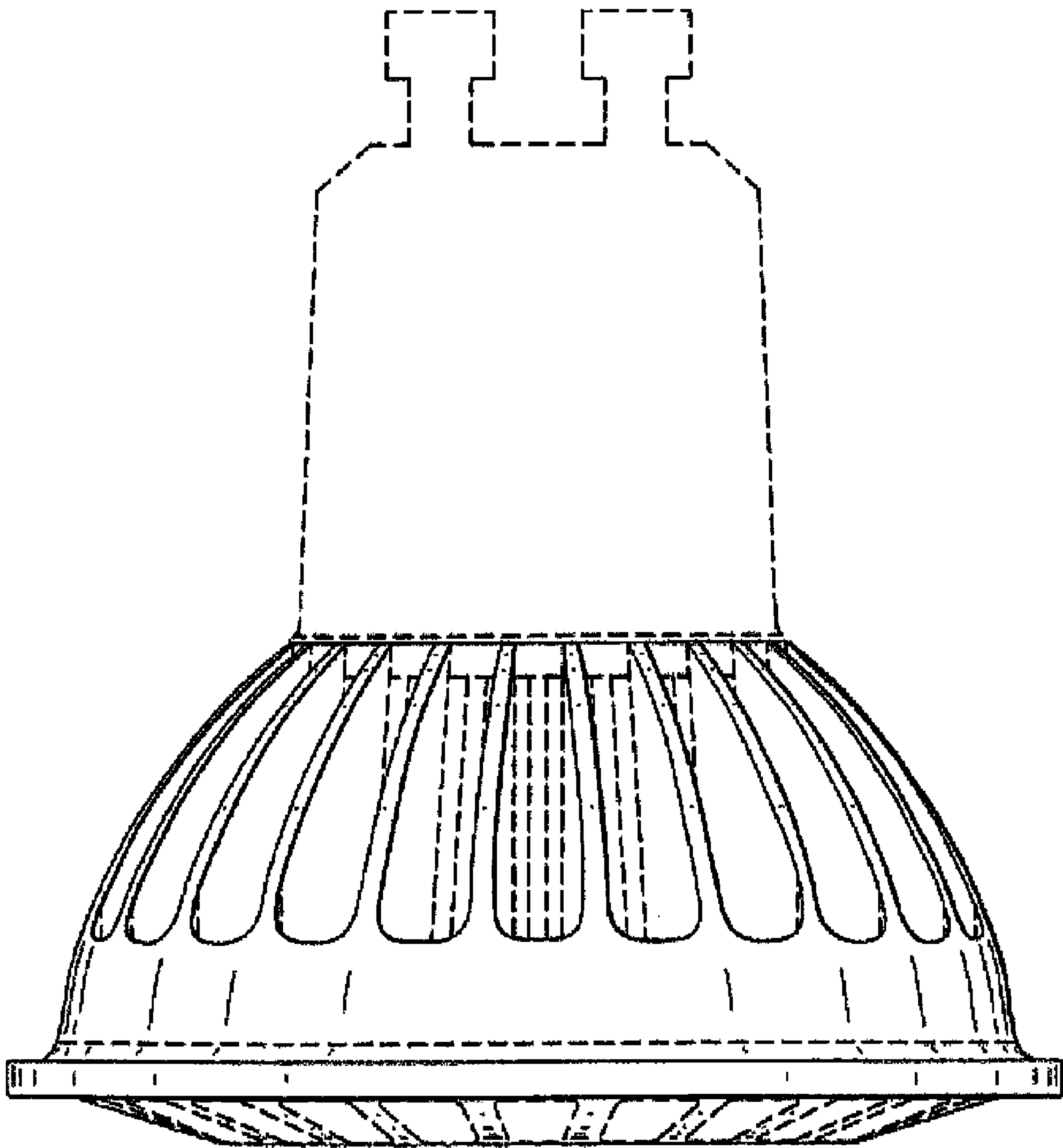


FIG. 2

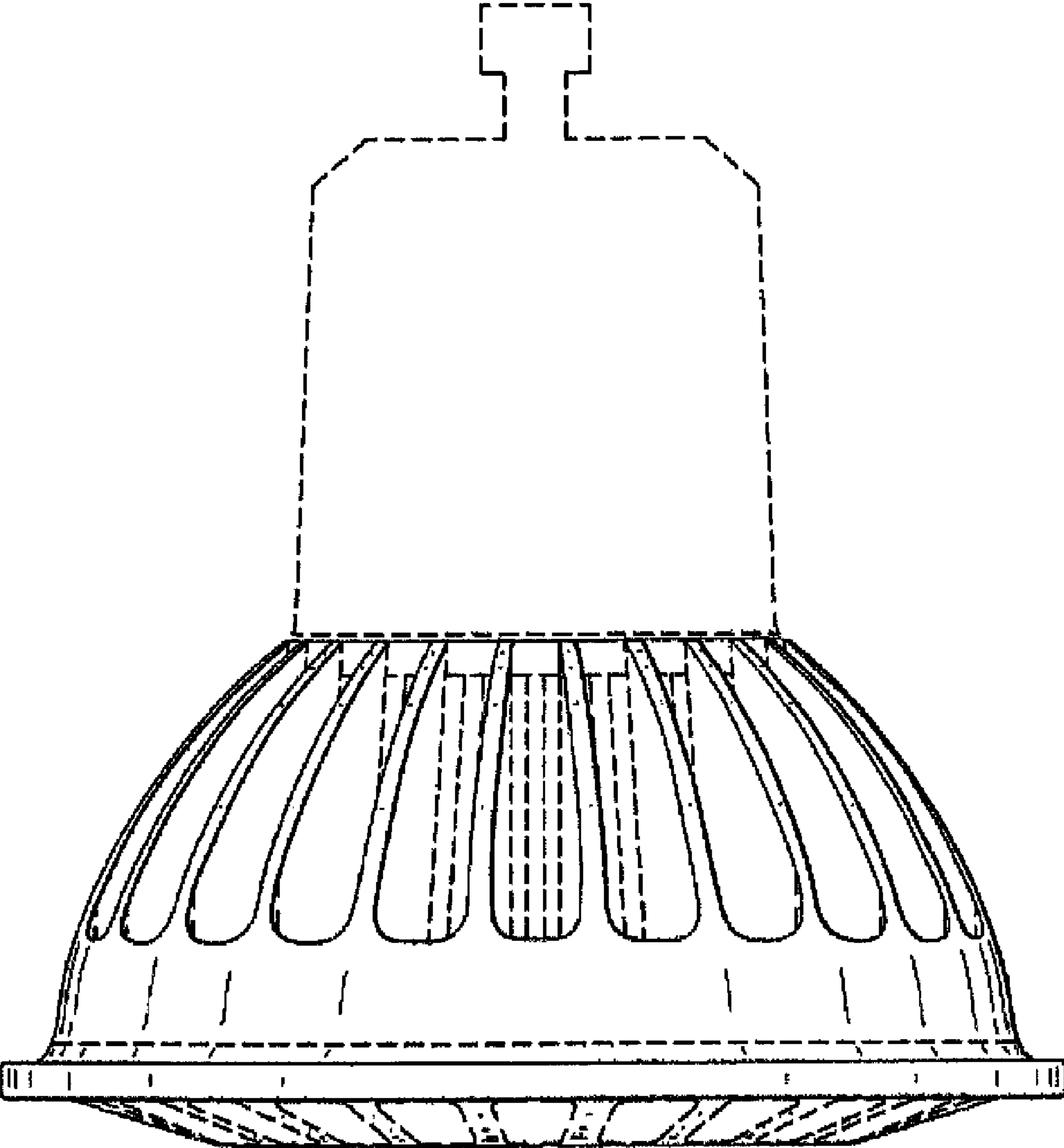


FIG. 3

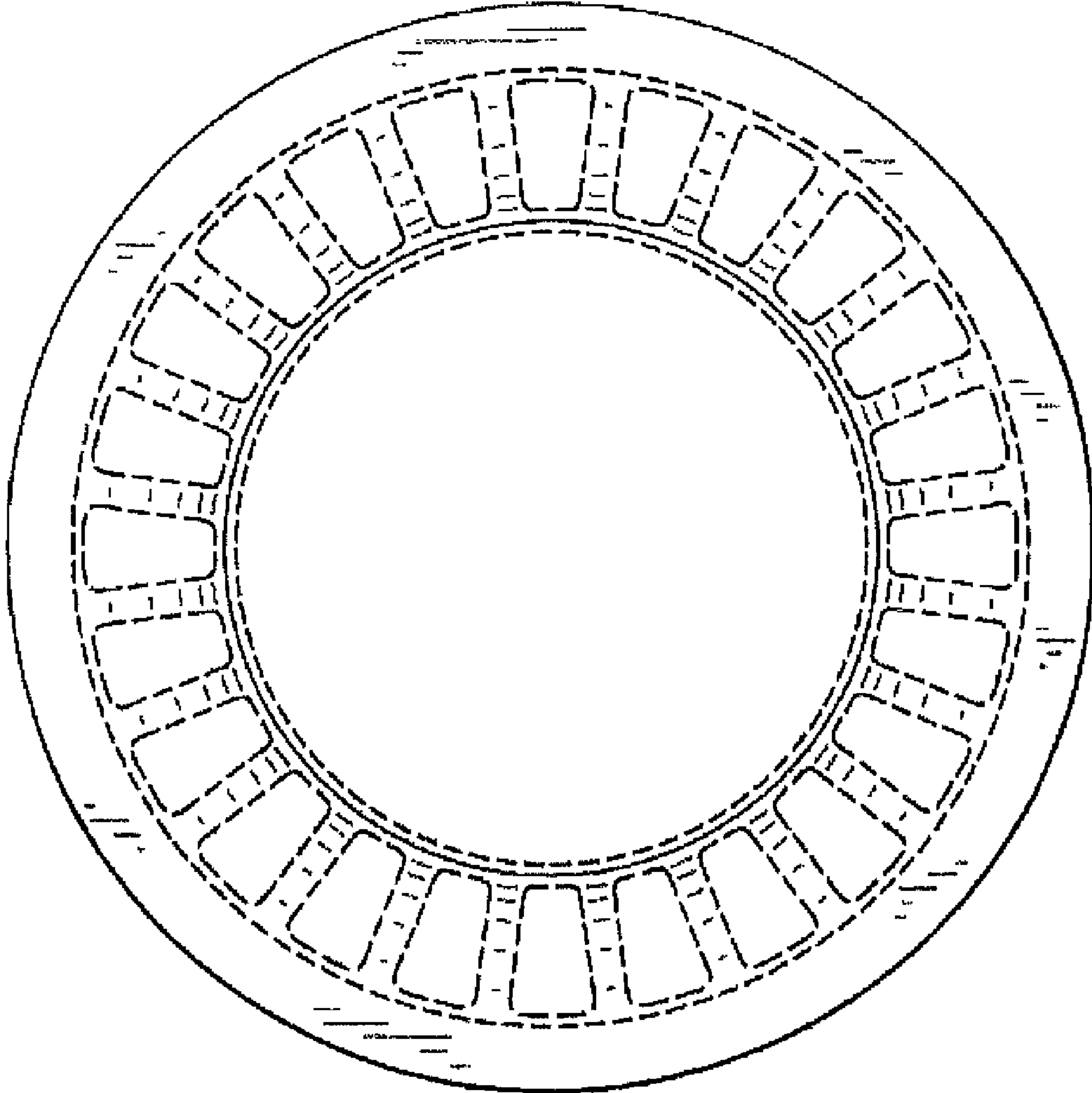


FIG. 4

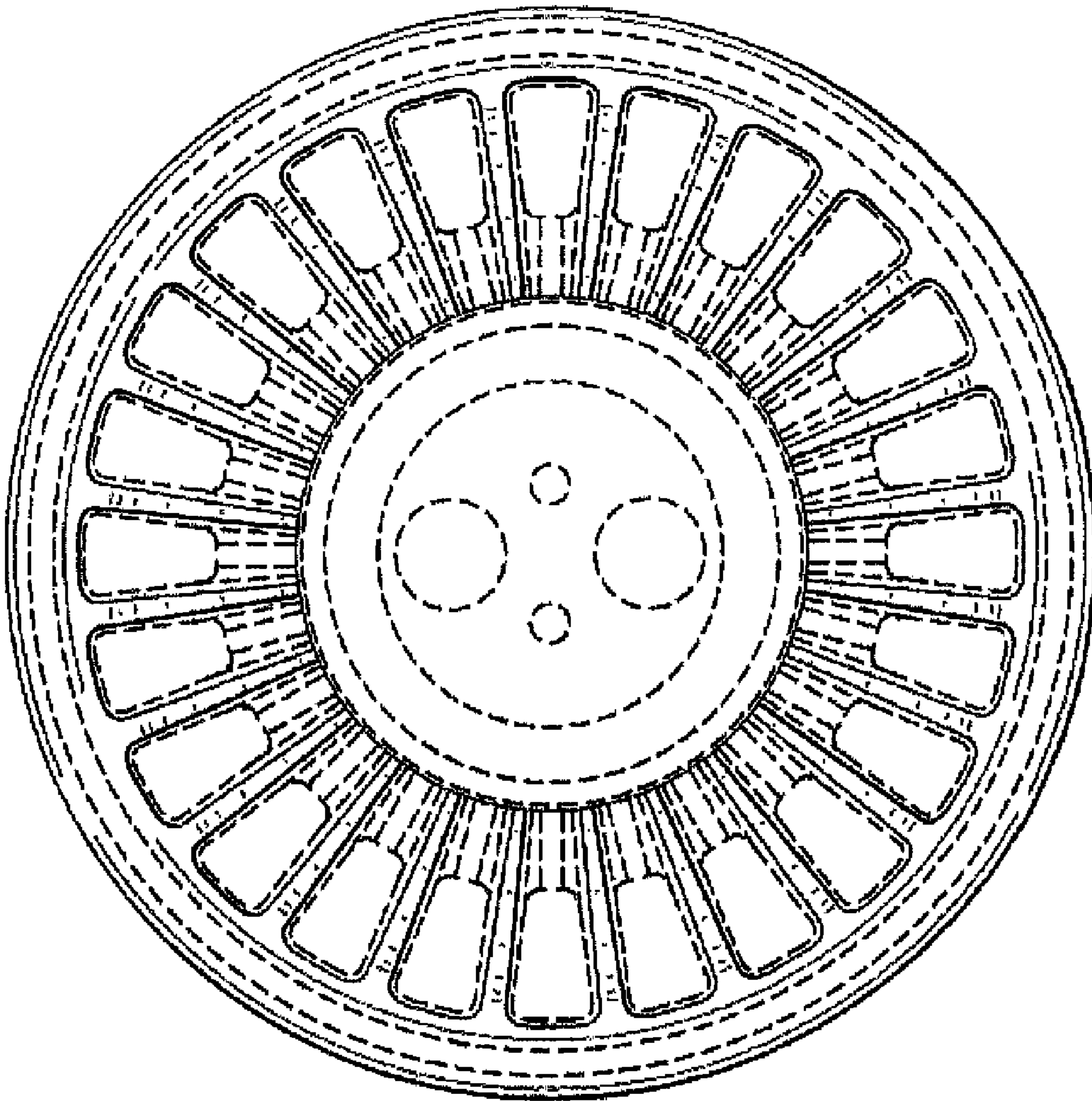


FIG. 5

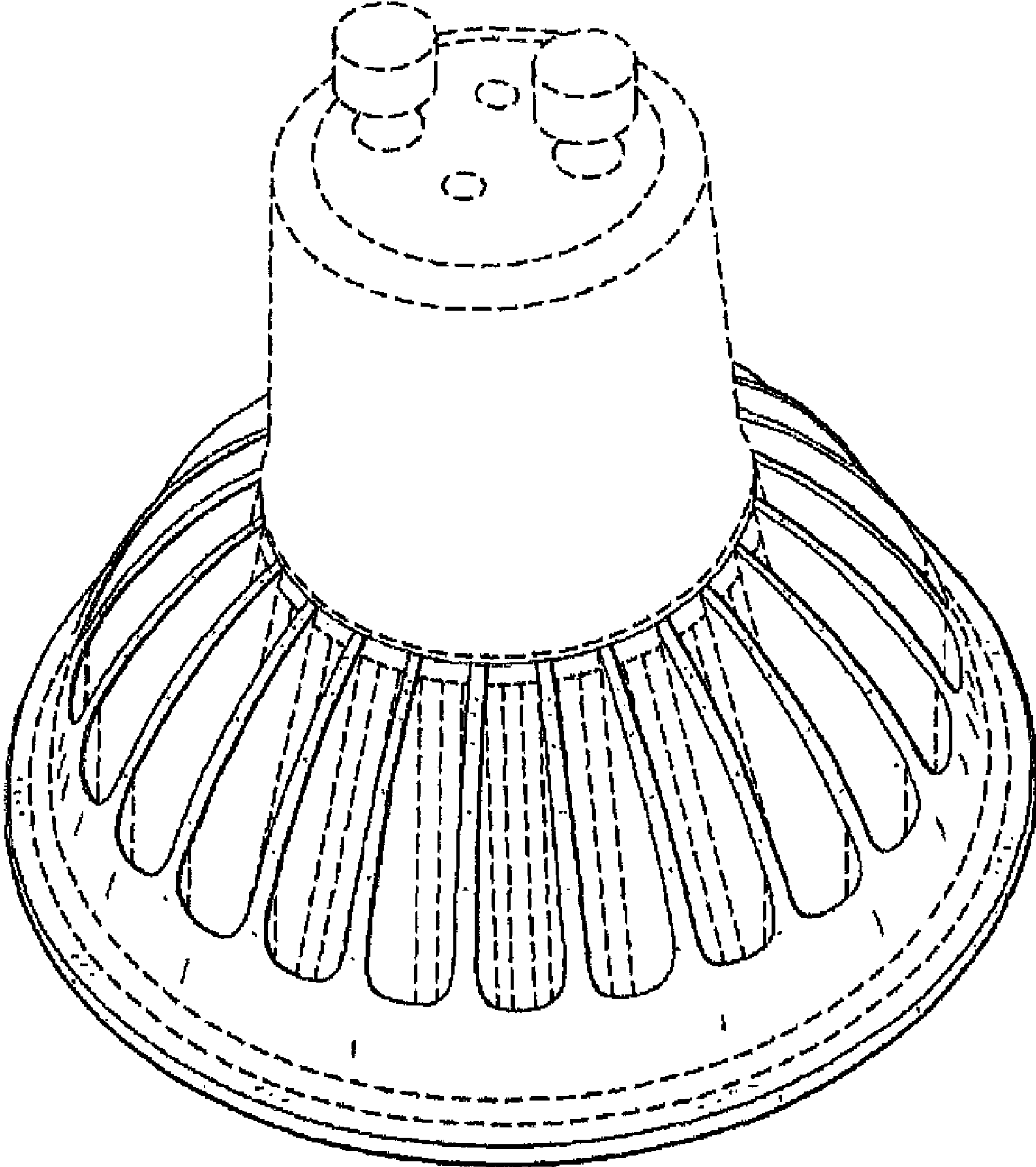


FIG. 6

